

Part Number: PD-4216W

Part Specification: DC12V, $\Phi 42.0 \times 16.0$, $2.9 \pm 0.5 \text{kHz}$, W: 110mm

压电式蜂鸣器规格示样书

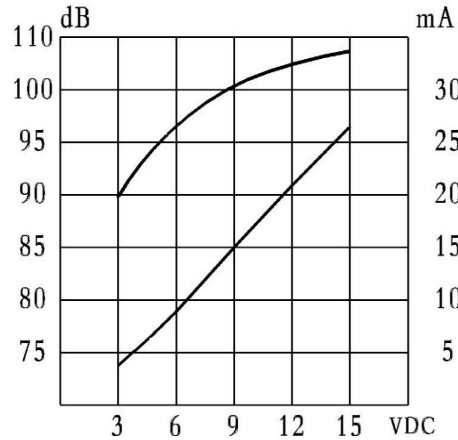
Piezoelectric buzzer specification

QINLON

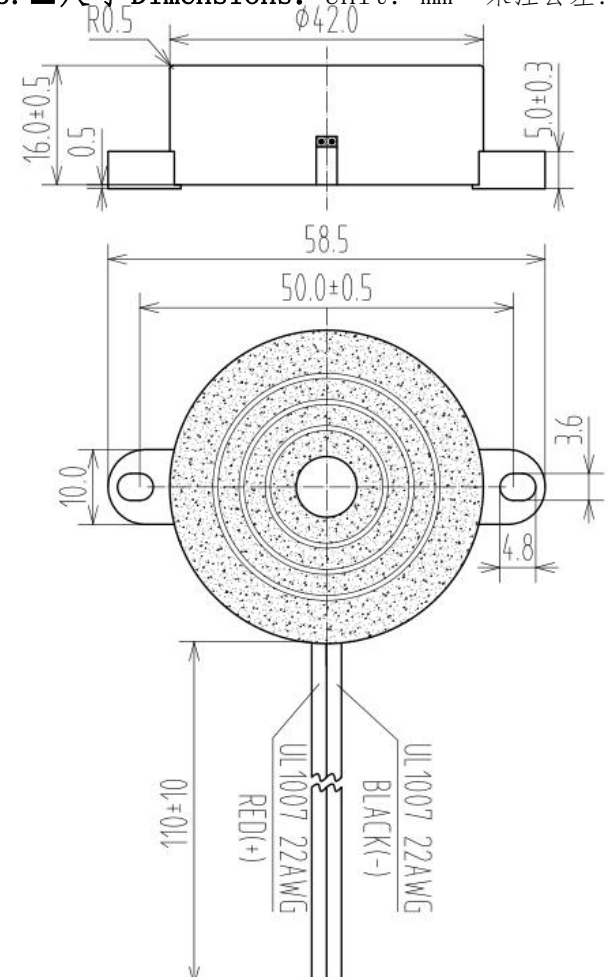
1. 产品照片 Product photo:



4. 产品特性 Characteristics



5. 尺寸 Dimensions: Unit: mm 未注公差: ± 0.5



2. 型号及含义

Explanation of model number:
PD-4216W110

PD: 压电有源蜂鸣器
42: 蜂鸣器外径42.0mm
16: 壳体高度: 16.0mm
W: 有耳引线式

3. 规格 Specifications

Item [项目]	Specifications [规格]
Rated Voltage 额定电压	12VDC
Operating Voltage 工作电压	3~15VDC
Sound Pressure Level 输出声压	Min 95dB At 12VDC/30cm
Rated current 消耗电流	Max. 25mA At 12VDC
Resonant Frequency 额定频率	$2.9 \pm 0.5 \text{kHz}$
Operating Temperature 工作温度	-40~+85°C
Storage Temperature 储存温度	-40~+85°C
Weight 重量	13.0g

6. 包装 packaging

- ①. Each unit box contains 5pcs. [每个单元盒包装 5 只产品]
- ②. Each box contains 50 pcs. [每一内盒装 50 只产品]
- ③. Each outer packing box contains 400 pcs. [每一外包装箱装 400 只产品]

Packing size: 480x440x215mm

担当: BUZZER

审核:

日期: 2024. 05. 08

92 178 4216