

**Part Number: PD-2316W**

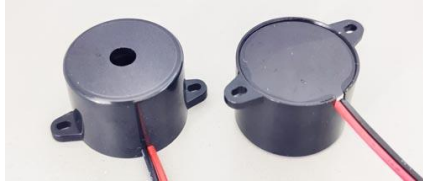
Part Specification: DC12V,  $\Phi 22.8 \times 16.0$ ,  $3.5 \pm 0.5 \text{kHz}$ , W: 140mm

压电式蜂鸣器规格示样书

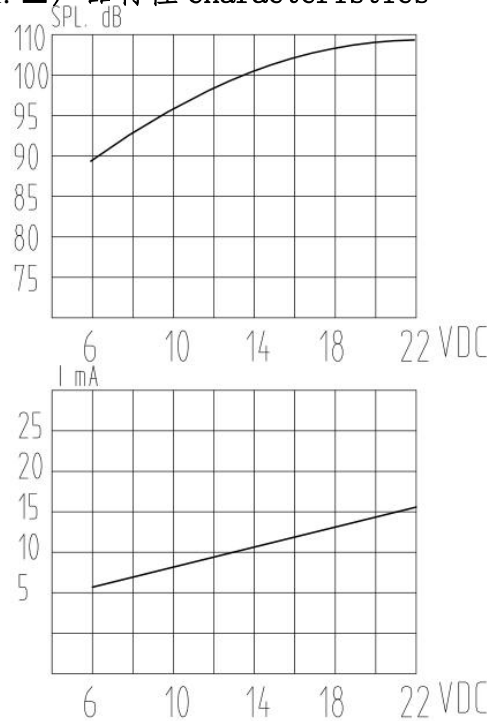
Piezoelectric buzzer specification

**QINLON**

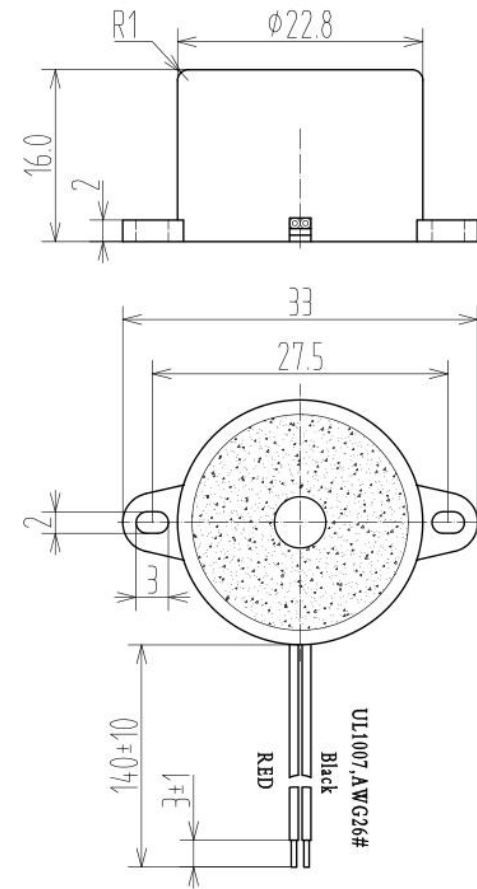
1. 产品照片 Product photo:



4. 产品特性 Characteristics



5. 尺寸 Dimensions: Unit: mm 未注公差:  $\pm 0.5$



2. 型号及含义

Explanation of model number:

PD-2316W

PD: 压电有源蜂鸣器

23: 蜂鸣器外径22.8mm

16: 壳体高度: 16.0mm

W: 有耳引线式

3. 规格 Specifications

Item [项目]	Specifications [规格]
Rated Voltage 额定电压	12VDC
Operating Voltage 工作电压	3~24VDC
Sound Pressure Level 输出声压	Min 90dB At 12VDC/30cm
Rated current 消耗电流	Max. 15mA At 12VDC
Resonant Frequency 额定频率	$3.5 \pm 0.5 \text{kHz}$
Operating Temperature 工作温度	-40~+85°C
Storage Temperature 储存温度	-40~+85°C
Weight 重量	4.5g

6. 包装 packaging

- ①. Each unit box contains 50pcs. [每个单元盒包装 50 只产品]
- ②. Each box contains 250 pcs. [每一内盒装 250 只产品]
- ③. Each outer packing box contains 2000 pcs. [每一外包装箱装 2000 只产品]

Packing size: 480x440x215mm

担当: BUZZER

审核:

日期: 2024. 05. 08

**92 126 2316**