

Part Number: PD-2310P

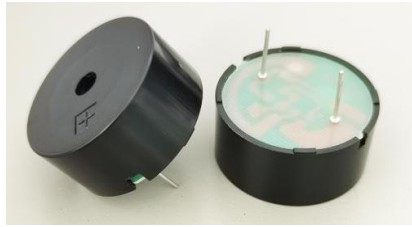
Part Specification: DC12V, $\Phi 22.8 \times 10.0$, $3.5 \pm 0.5 \text{kHz}$, L: 15.0mm

压电式蜂鸣器规格示样书

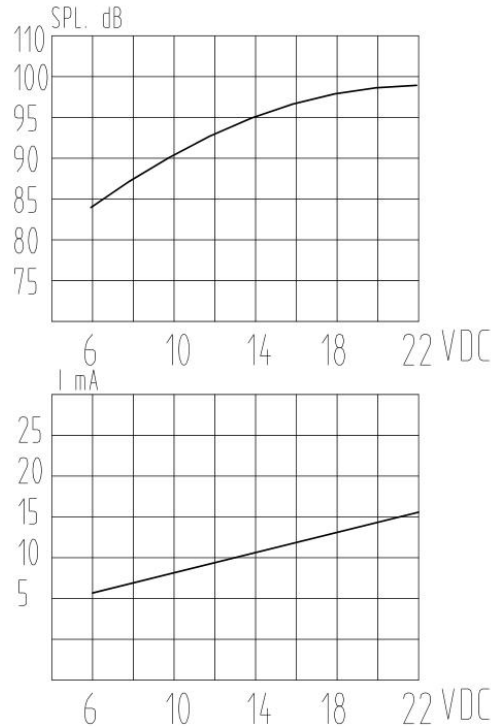
Piezoelectric buzzer specification

QINLON

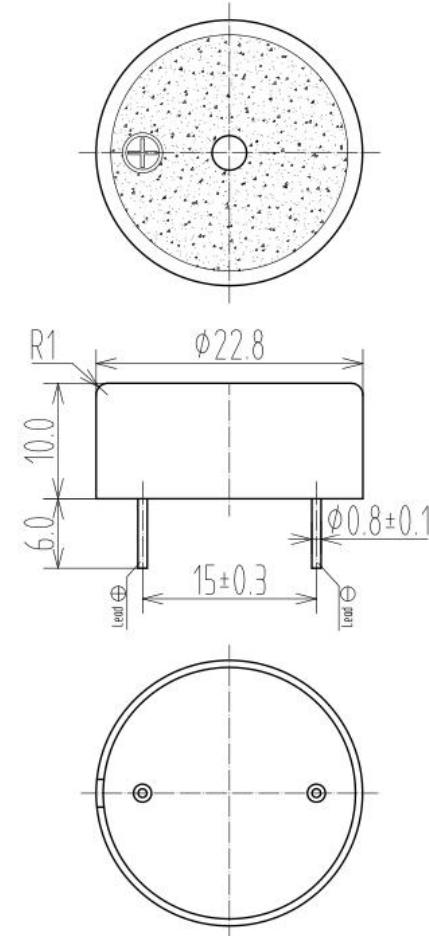
1. 产品照片 Product photo:



4. 产品特性 Characteristics



5. 尺寸 Dimensions: Unit: mm 未注公差: ± 0.5



2. 型号及含义

Explanation of model number:

PD-2310P

PD: 压电有源蜂鸣器

23: 蜂鸣器外径22.8mm

10: 壳体高度: 10.0mm

P: 插针式

3. 规格 Specifications

Item [项目]	Specifications [规格]
Rated Voltage 额定电压	12VDC
Operating Voltage 工作电压	3~24VDC
Sound Pressure Level 输出声压	Min 85dB At 12VDC/30cm
Rated current 消耗电流	Max. 15mA At 12VDC
Resonant Frequency 额定频率	$3.5 \pm 0.5 \text{kHz}$
Operating Temperature 工作温度	-40~+85°C
Storage Temperature 储存温度	-40~+85°C
Weight 重量	2.7g

6. 包装 packaging

- ①. Each unit box contains 50pcs. [每个单元盒包装 50 只产品]
- ②. Each box contains 250 pcs. [每一内盒装 250 只产品]
- ③. Each outer packing box contains 2000 pcs. [每一外包装箱装 2000 只产品]

Packing size: 480x440x215mm

担当: BUZZER

审核:

日期: 2024. 05. 08

92 123 2310