

Part Number: PD-1407

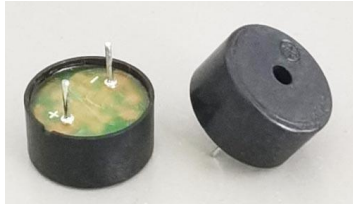
Part Specification: DC12V, $\Phi 14.0 \times 7.5$, 4.2 ± 0.5 kHz, L: 7.6mm

压电式蜂鸣器规格示样书

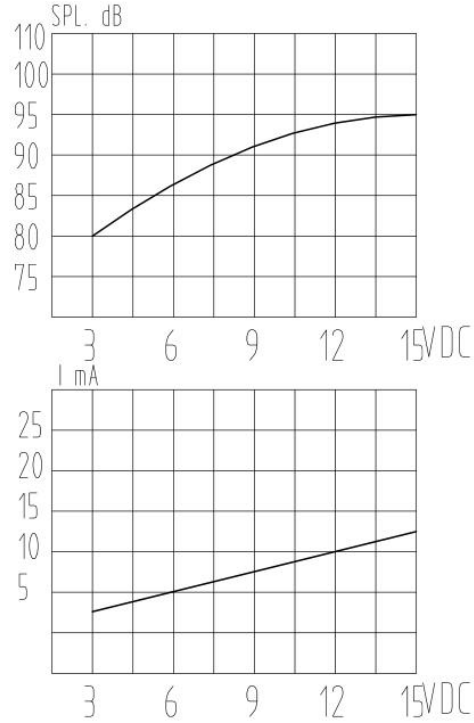
Piezoelectric buzzer specification

QINLON

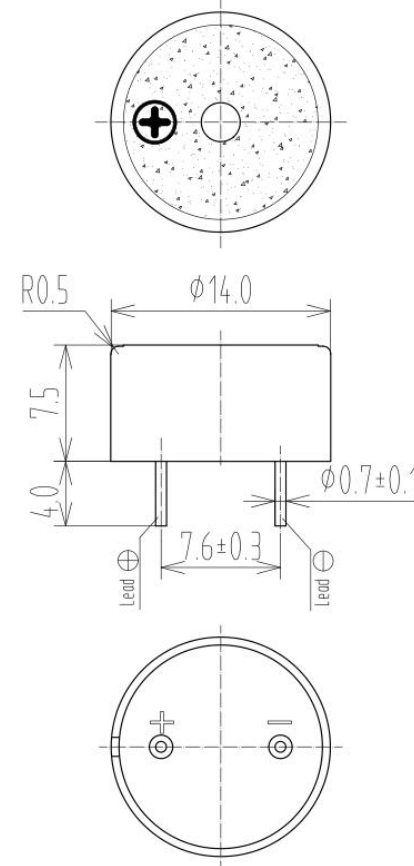
1. 产品照片 Product photo:



4. 产品特性 Characteristics



5. 尺寸 Dimensions: Unit: mm 未注公差: ± 0.5



2. 型号及含义

Explanation of model number:

PD-1407

PDJ: 压电有源蜂鸣器

14: 蜂鸣器外径 14.0mm

07: 壳体高度: 7.5mm

4.2: 发声频率 4.2: 4200Hz

3. 规格 Specifications

Item [项目]	Specifications [规格]
Rated Voltage 额定电压	12VDC
Operating Voltage 工作电压	3~16VDC
Sound Pressure Level 输出声压	Min 90dB At 12VDC/10cm
Rated current 消耗电流	Max. 12mA At 12VDC
Resonant Frequency 额定频率	4.2 ± 0.5 kHz
Operating Temperature 工作温度	-40~+85°C
Storage Temperature 储存温度	-40~+85°C
Weight 重量	0.8g

6. 包装 packaging

- ①. Each unit box contains 100 pcs. [每个单元盒包装 100 只产品]
- ②. Each box contains 500 pcs. [每一内盒装 500 只产品]
- ③. Each outer packing box contains 4000 pcs. [每一外包装箱装 4000 只产品]

Packing size: 480x440x215mm

担当: BUZZER

审核:

日期: 2024. 05. 08

92 170 1407