

Part Number: PA-1340T-AT (PA-1340BH-AT)

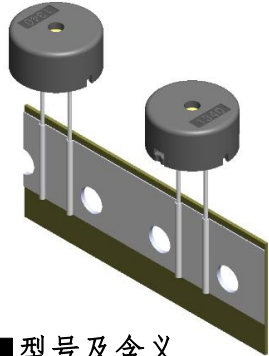
Part Specification: $\Phi 12.6 \times 6.9, 4000\text{Hz}, L: 5.0\text{mm}$

压电式蜂鸣器规格示样书

Piezoelectric buzzer specification

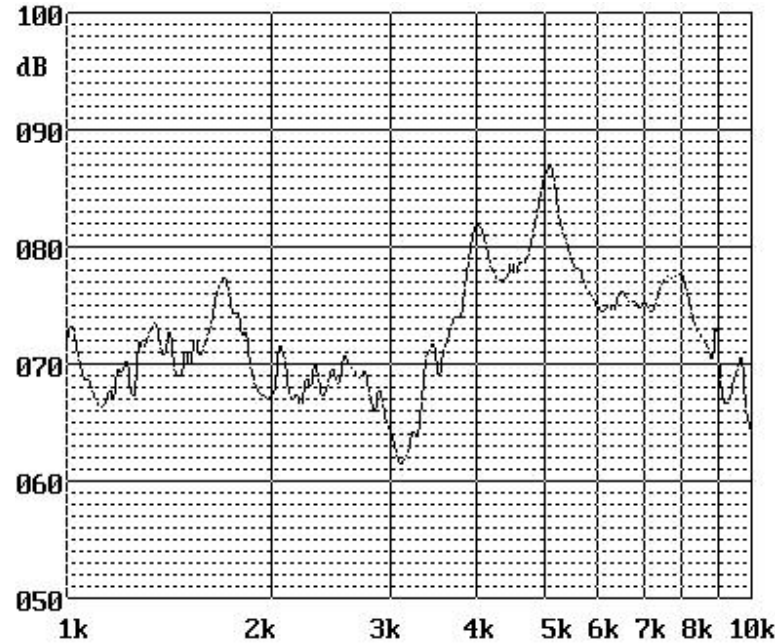
QINLON

1. 产品照片 Product photo:

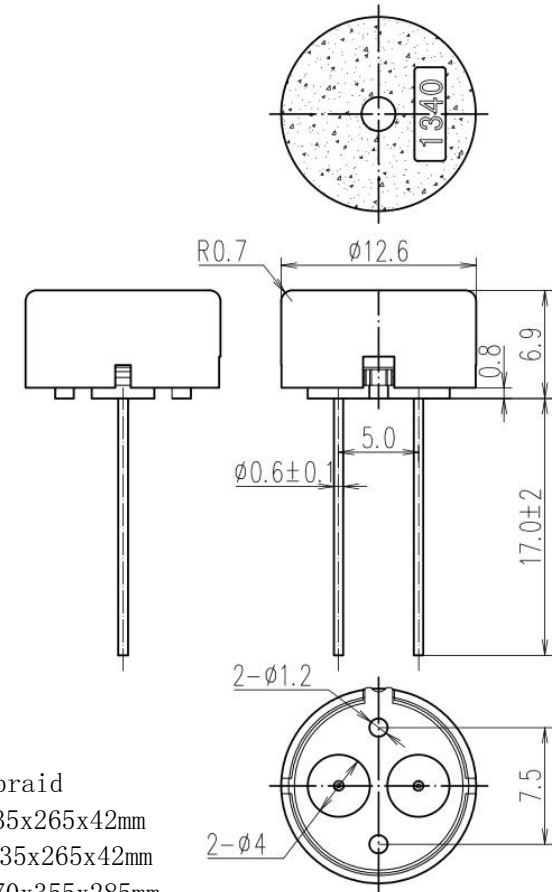


4. 频率曲线 Freq. Response

*Rated voltage, 1/2 duty square wave, 10cm.



5. 尺寸 Dimensions: Unit: mm 未注公差: ± 0.5



2. 型号及含义

Explanation of model number:

PA-1340BH-AT

PA: 压电无源蜂鸣器

13: 蜂鸣器外径12.6mm

40: 频率 40:4000Hz

BH: 插针

AT: 长针编带

3. 规格 Specifications

Item [项目]	Specifications [规格]
Operating Voltage 工作电压	1~30Vp-p
Capacitance 电容量	10 ($\pm 30\%$) nF at 120Hz
Sound Pressure Level 输出声压	Min 70dB At 4000Hz/3Vp-p/方波/10cm
Rated current 消耗电流	Max2.5mA At 4000Hz/3Vp-p 方波
Resonant Frequency 额定频率	4.0 \pm 0.4kHz
Operating Temperature 工作温度	-40~+85 $^{\circ}$ C
Storage Temperature 储存温度	-40~+85 $^{\circ}$ C
Weight 重量	0.7g

6. 包装 packaging: paper braid

1) 内盒: 500 只/卷 尺寸: 335x265x42mm

Box: 500/volume size : 335x265x42mm

2) 外箱: 5000 只/箱 尺寸: 470x355x285mm

Carton: 5000/box size : 470x355x285mm

纸带宽 Paper bandwidth : 18.0mm; .

纸带孔间距 Tape hole spacing : 12.7mm;

产品间距 Product spacing : 25.4mm

担当: BUZZER

审核:

日期: 2024.05.08

92 102 1340

1

2

3

4

5

6