

Part Number: **PA-1212S-4.0**

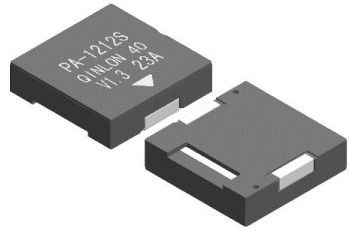
Part Specification: 12.0x12.0x3.0, 4000Hz

压电式蜂鸣器规格示样书

Piezoelectric buzzer specification

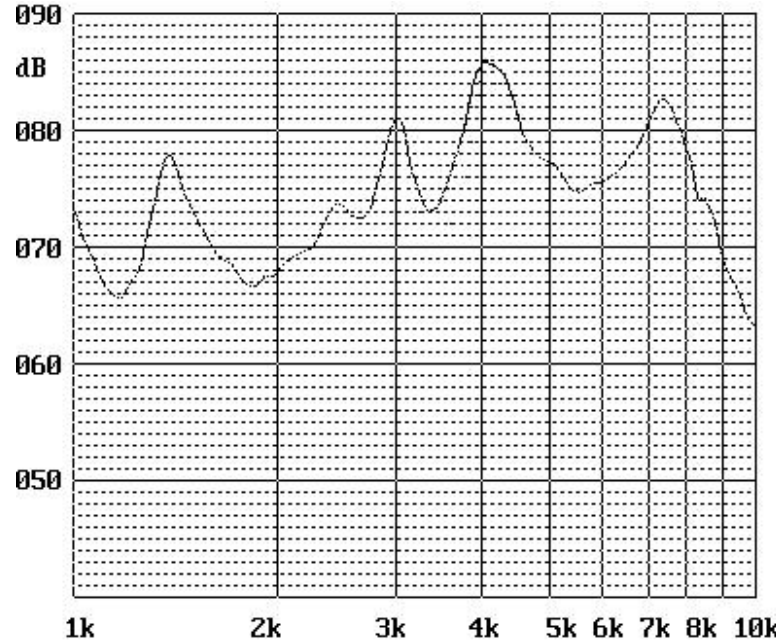
QINLON

1. ■产品照片 Product photo:

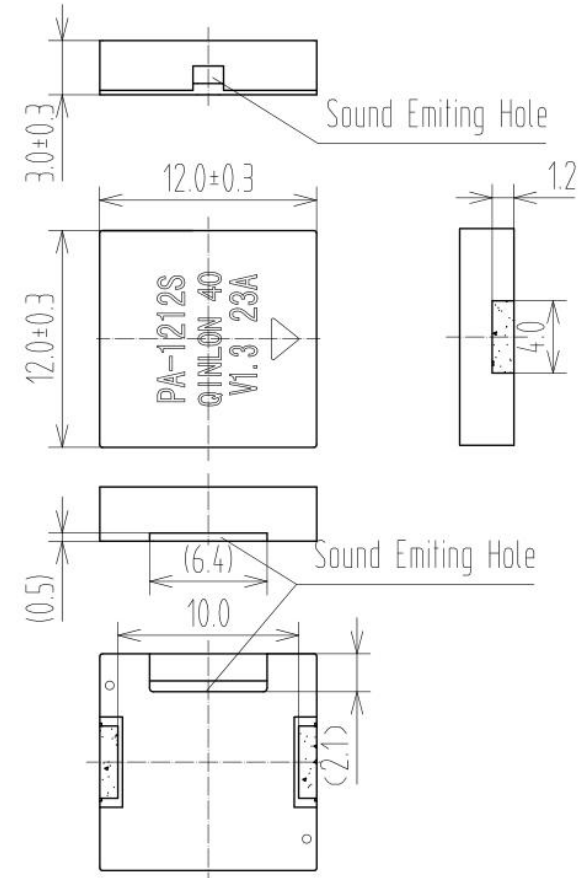


4. ■频率曲线 Freq. Response

※Rated voltage, 1/2 duty square wave, 10cm.



5. ■尺寸 Dimensions: Unit: mm 未注公差: ±0.5



2. ■型号及含义

Explanation of model number:

PA-1212S-4.0

PA: 压电式蜂鸣器

1212: 代表长宽12.0x12.0mm

S: 贴片式结构

4.0: 代表频率4000Hz

3. ■规格 Specifications

Item [项目]	Specifications [规格]
Operating Voltage 工作电压	1~25Vp-p
Capacitance 电容量	14(±30%) nF at 120Hz
Sound Pressure Level 输出声压	Min 80dB At 4000Hz/5Vp-p/方波/10cm
Rated current 消耗电流	Max. 5mA At 4000Hz/5Vp-p 方波
Resonant Frequency 额定频率	4.0±0.4kHz
Operating Temperature 工作温度	-40~+105°C
Storage Temperature 储存温度	-40~+105°C
Weight 重量	0.4g

6. ■包装 packaging

包装方式: 卷盘包装 Reel packing

1): 1000 只/卷 尺寸 :330mm

Box:1000 /volume size :330mm

2) 外箱:5000 只/箱 尺寸 :350x350x220mm

Carton:5000pcs / box size :350x350x220mm

担当:BUZZER

审核:

日期: 2024.05.08

92 236 1212