

To: _____

Approval Sheet for Product Specification 请 承 认 书

PRODUCT NAME **【产品名称】:** SMD BUZZER

CUSTOMER PART NO **【客户型号】:** _____

QINGLONG PART NO **【我司型号】:** FDYX-801S series

DESCRIPTION **【规格】:** 8.5X8.5X3 mm

DRAWWING NO **【产品图号】:** _____

【注意/note】

1. This product shall comply with RoHs. 上本品符合欧洲 RoHs 规定指令.
2. IN CASE OF CHANGES, SUCH AS DIE &MOLD, MANUFACTURING PROCESS, MATERIAL, APPEARANCE, AND INSPECITION etc., THE SAME PROCEDURE IS REQUIRED. 此部品确认后. 如模具、制造方法、材料、外观、检查等发生变更的情况下必须事前由双方进行合议。

APPROVAL SEAL (承认印):				
DISCUSS		RESOLUTION		
QA	PURCHASE	ISSUED BY	CHECKED BY	APPROVED BY

Manufacturer :FengDar Accoustic Technology Co.,Ltd
 (QINGLONG Electronic Components Co.,Ltd)
ADD: No. 20 Shunyuan Road ,Changzhou ,Jiangsu Province,P.R.China

SIGNATURE	Issued by 担当	Checked by 核查	Approved by 确认	Date 日期
	Luo Yian	Zou Eryong	MIAO QIUYIN	2023-6-2

产 品 规 格 书

SPECIFICATION FOR BUZZER

1. SCOPE (适用)

This product specification is applied to the buzzer used for sounder in alarm systems.
(这种规格产品属于蜂鸣器广泛用于发声系统)

2. PART NUMBER (品名及贵司相关事项)

- 2-1 QINLON Part Number : FDYX-801S series
本司产品型号
- 2-2 Customer's Part Number :
客户产品型号
- 2-3 Customer's Drawing Number :
客户规格书编号

3. SPECIFICATIONS (规格)

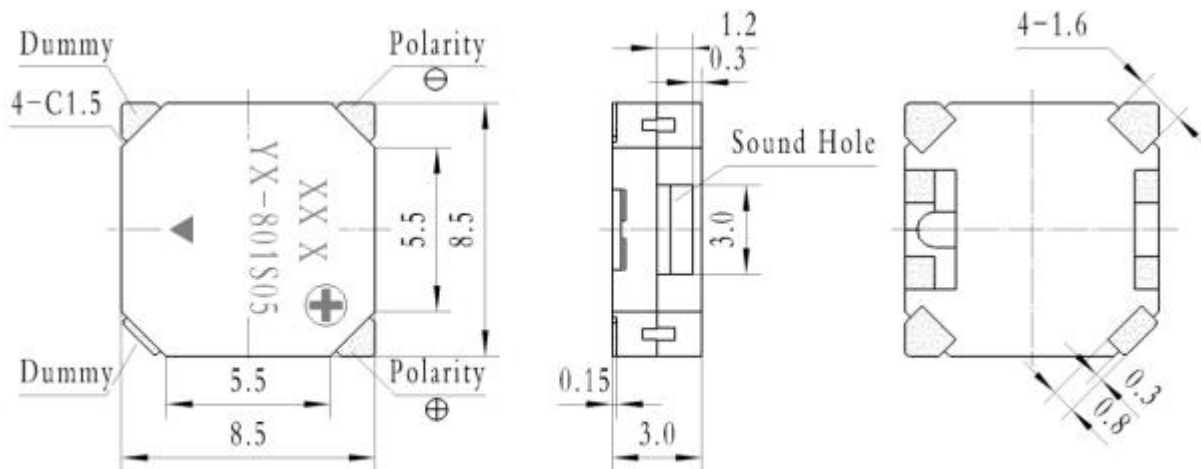
Part No.	<u>FDYX-801S-0327</u>	<u>FDYX-801S-0527</u>	<u>FDYX-801S-0330</u>
Rated voltage (Vo-p) 额定电压	3.0Vo-p	5Vo-P	3.0Vo-p
Operating voltage (Vo-p) 工作电压	2~4.5Vo-p	3-7Vo-P	2~4.5Vo-p
Coil impedance (Ω) 直流阻抗	18±3Ω	30±4Ω	18±3Ω
Sound output(dB) 输出声压级	Min 85dB *	Min 85dB *	Min 85dB *
Current consumption (mA) 额定电流	Typical 50mA (≤70mA)	Typical 50mA (≤70mA)	Typical 50mA (≤70mA)
Tone quality 音质检听	No unusual sound	No unusual sound	No unusual sound
Resonant Frequency (Hz) 额定频率 RF	2731Hz	2731Hz	3000Hz
Operating Temperature (°C) 工作温度	-30~+70	-30~+70	-30~+70
Storage Temperature (°C) 储存温度	-40~+85	-40~+85	-40~+85
Weight (g) 重量	0.3	0.3	0.3

标准测试条件: 温度 25±3℃, 湿度 60±10% R.H.

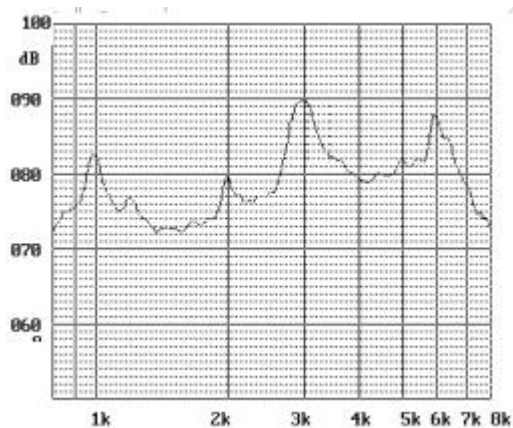
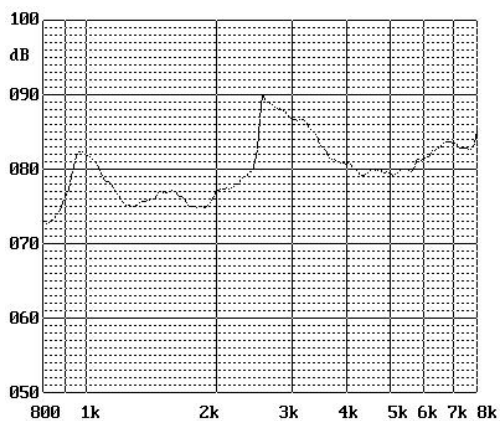
* At 10cm and Rated voltage

4. DIMENSIONS (尺寸)

Unit: mm 未注公差:±0.3



5. FREQUENCY RESPONSE (频率曲线图)



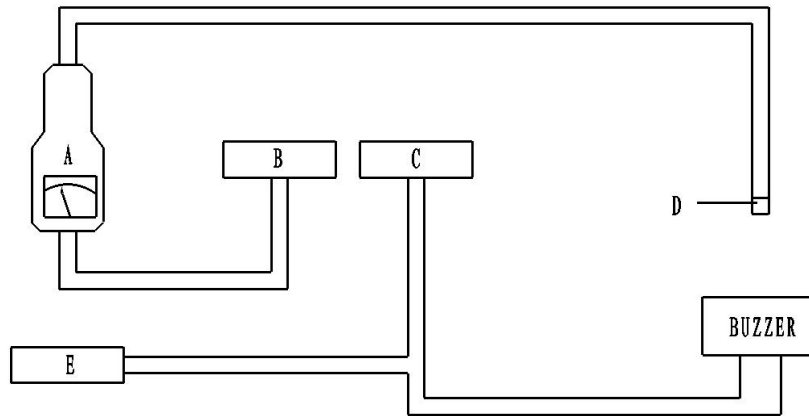
FDYX-801S-0327

FDYX-801S-0527

FDYX-801S-0330

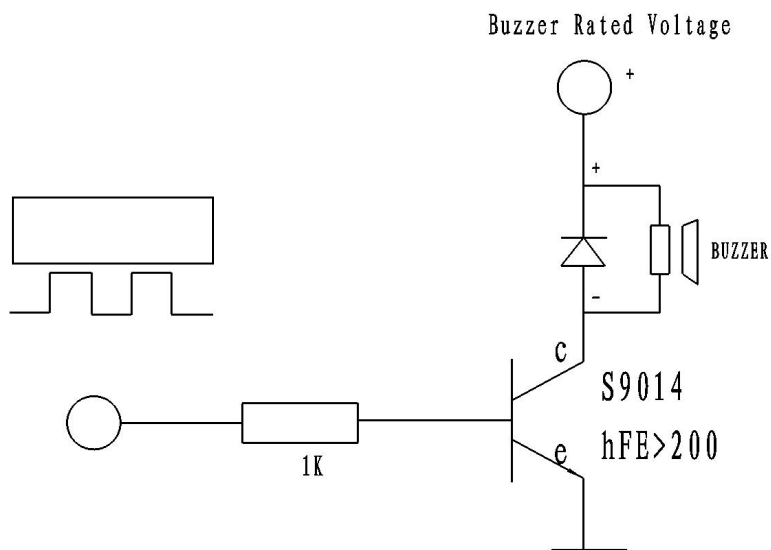
6. TEST METHOD(测试方法)

6-1. SOUND PRESSURE LEVEL, CONSUMPTION(声压测试线路图)



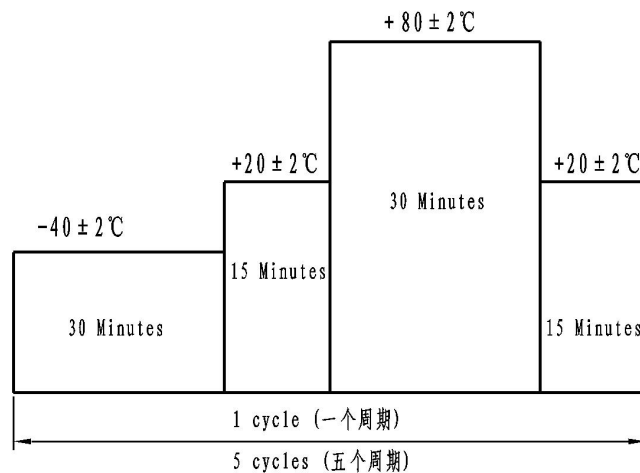
- A: Sound Pressure Level Meter 声级计
- B: Frequency Counter 频率计
- C: RC oscillator 驱动电路
- D: Sound Pressure Level For Focus 声级计传声话筒
- E: Multimeter (Amphere Meter) 信号发声器

6-2. TEST CIRCUIT (测试电路)

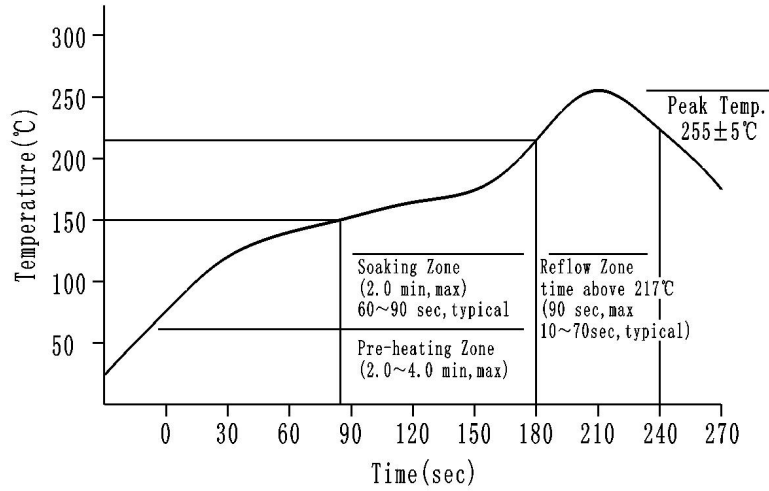


7. RELIABILITY TEST (可靠性试验项目)

	ITEM (项目)	METHOD OF TEST (试验方法)	VARIANCE AFTER CONDITIONIN(标准)
1.	Dry Heat Test (Storage) 高温放置试验	After being placed in a chamber with $+105\pm 2^{\circ}\text{C}$ for 240 hours and then Being placed in natural condition for 4 hours, buzzer shall Be measured. 在 $+105\pm 2^{\circ}\text{C}$ 的温湿里放置 240 小时后, 再在室温下放置 4 小时后测试	The value of resonant frequency/current consumption should be in $\pm 10\%$ compared with initial ones. The SPL should be $\geq 85\text{dB}$
2.	Cold Test (Storage) 低温放置试验	After being placed in a chamber with $-40\pm 2^{\circ}\text{C}$ for 240 hours and then Being placed in natural condition for 4 hours, buzzer shall Be measured. 在 $-40\pm 2^{\circ}\text{C}$ 的温湿里放置 240 小时后, 再在室温下放置 4 小时后测试	
3.	Temperature Cycle Test 温度循环试验	Make the test for 5 cycles without applying power as fig then expose to the room temperature for 4 hours 不接电源按下图做 5 个周期试验, 然后室温下放置 4 小时再测试	
4.	Humidity Test 耐湿性试验	After being placed in a chamber with 90 to 95%R.H. at $+40\pm 2^{\circ}\text{C}$ for 240 hours and then being placed in natural condition for 4 hours, Buzzer shall be measured. 在湿度为 90-95%, 温度为 $+40\pm 2^{\circ}\text{C}$ 的温湿箱里放置 240 小时后, 再在室温下放置 4 小时后测试	
5.	Operation life test 工作寿命试验	1. High temperature life test. 240 hours continuous operation at $+105^{\circ}\text{C}$ at 3.0Vp-p/Duty 50% 2731Hz 2. Room temperature life test. 240 hours continuous at room temperature with 3.0Vp-p/Duty 50%,2731Hz 3. Low temperature life test 240 hours continuous operation at -40°C at 3.0Vp-p/Duty 50% 2731Hz	
6.	Vibration Resistant 耐振动性	Buzzer shall be measured after being applied vibration of amplitude of 1.5mm with 10 to 55Hz band of vibration frequency to each of 3 perpendicular directions for 2 hours. 振动频率 10~55Hz, 振幅为 1.5mm, 朝 X、Y、Z 轴三个方向振动 2 小时后测试	
7.	Drop Test 跌落试验	Drop a product naturally form the height of 500mm onto the surface of 100mm thick wooden board. Two directions: This is upper and side of the product are to be applied for this drop test tespectively once. 从 500mm 高度将产品自然跌落在 100mm 厚板上按正、侧面方向各做二次跌落试验, 观察此产品能否承受跌落试验。	
8.	Solder ability (焊接试验)	Lead terminals are immersed in rosin for 5 seconds and then immersed in solder bath of $+255\pm 5^{\circ}\text{C}$ for 2 ± 0.5 seconds	

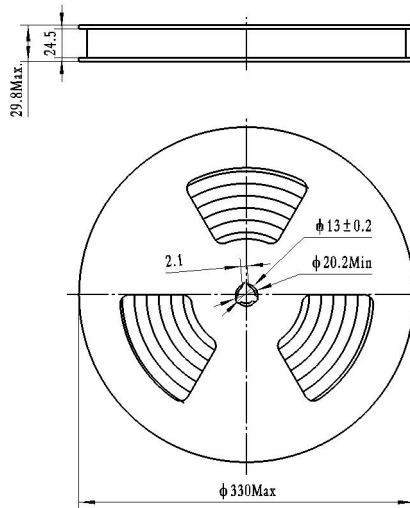


8. 焊接示意图 LEAD FREE REFLOW PROFILE

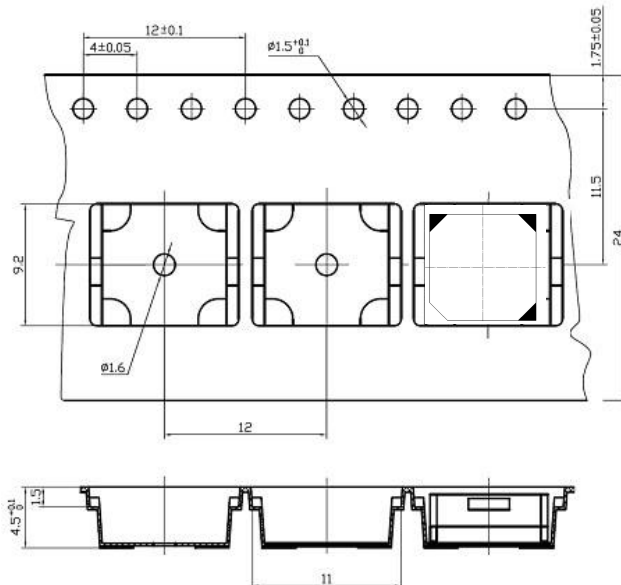


9. 包装规格 Packaging Standard

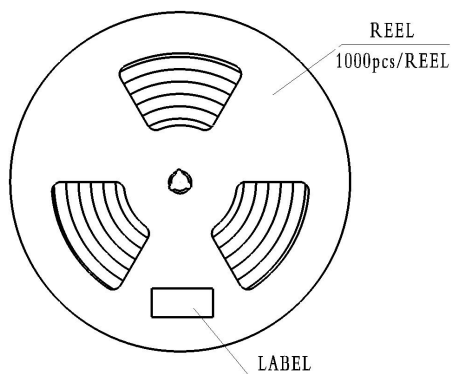
9.1, Reel



9.2 Reel packing



9.3 Carton



外包装(OUTSIDE PACKAGING): 【纸箱:370x370x250mm】

7 盘为一箱, 计 5000 只/箱(5BALES OF A CASE.COUNT 5000PCS/CASE)

