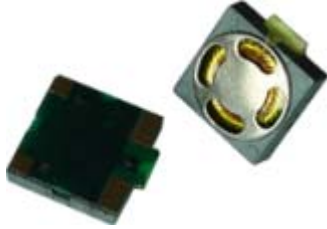


Description

Chinasound SMD Micro Speaker 15mm width, Square frame, 4.3mm height - 4 ohm rated impedance, SmCo magnet, 0.3W rated power – type PEI cone, 950 Hz rated frequency, lead Free solderable and RoHS compliant

- ◆ RoHS complaint
- ◆ Water-proof
- ◆ Small size
- ◆ Lead Free Reflowing Solderable

Picture



Frequency Response Curve tested by CLIO at 0.3W 0.1m



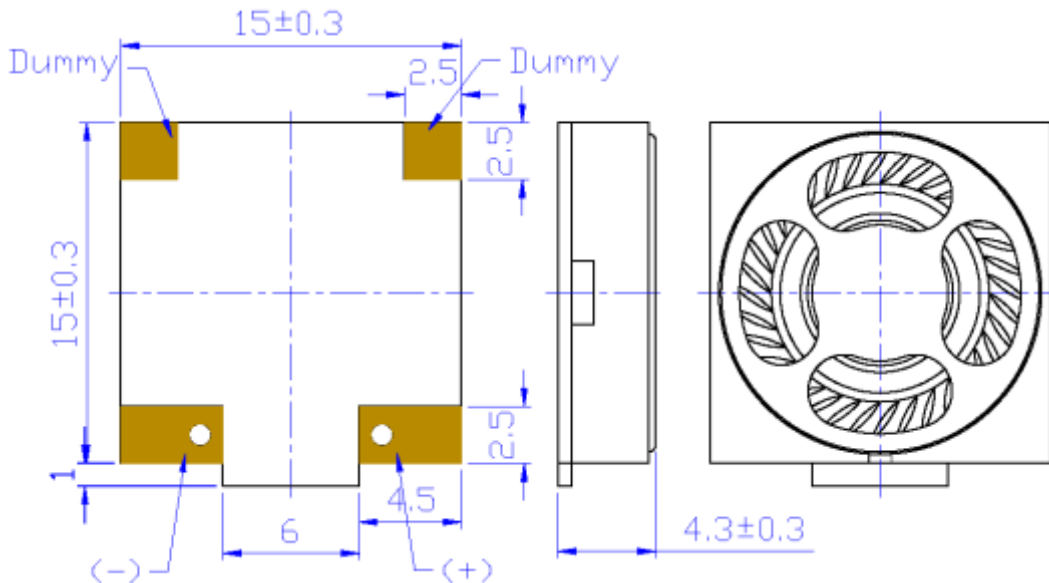
Specification

Rated Impedance	4+/-15% ohm (Other Rated Impedance is available.)
Rated Power	0.3 W
Max. Power	0.5 W
Resonant Frequency	950+/-20% Hz
Frequency Range	fo ~ 20,000 Hz
Sound Pressure Level	89+/-3 dB 0.3W 0.1m(Average of SPL values at 800 1,000 1,200 & 1,500 Hz.)
Operating Temperature	-40°C to +85°C
Storage Temperature	-40°C to +90°C
Termination	PCB, gold plated
Construction Materials	Case Plastic, LCP Vectra E130i Diaphragm PI Mylar
Weight (Typical)	2.3 g
Reliability	Must be normal at 1.09V(=0.3W) sine wave 0.3W white noise for 96hrs no function at +90 +/-2°C for 96 hours, function at +85+/-2°C for 16 hours, no function at -40+/-2°C for 96 hours, function at -40+/-2°C for 16 hours, +40+/-2°C, 90 ~ 95% R.H. for 48hrs -40+/-2°C, 30min->+20°C,15min,->+85+/-2°C, 30min->+20°C,15min, 5 cycles 1.5mm with 10 to 50Hz of vibration frequency to each of 3 perpendicular direction for 2 hrs For a period of one (1) year from date of manufacture under normal operations

Warranty

* All specifications must be satisfied after the test (Recovery:2 to 4 hrs of recovery under the standard condition after the removal from test chamber).

Dimensions (Unit: mm)



All specifications are subject to change without notice

Composed by: Eileen G/151026 Checked by: Johnny Z, James Z /151026 Approved by: William W/151026



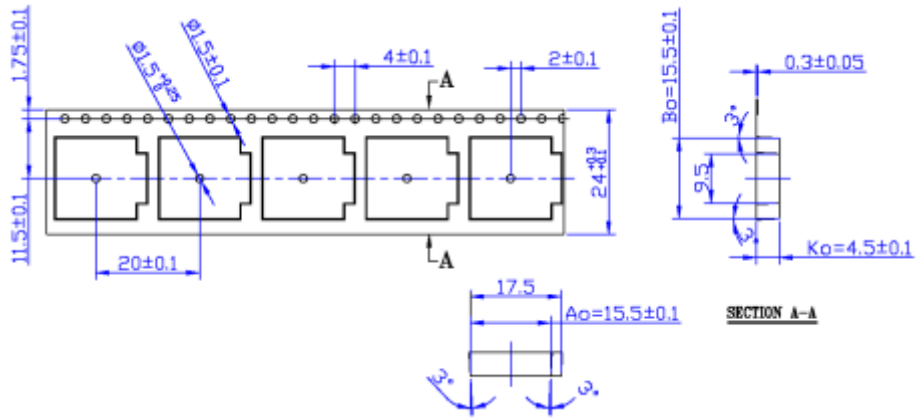
CHANGZHOU CHINASOUND ELECTRONICS CO., LTD.

Tel: +86-519-86182518 Fax: 86182519

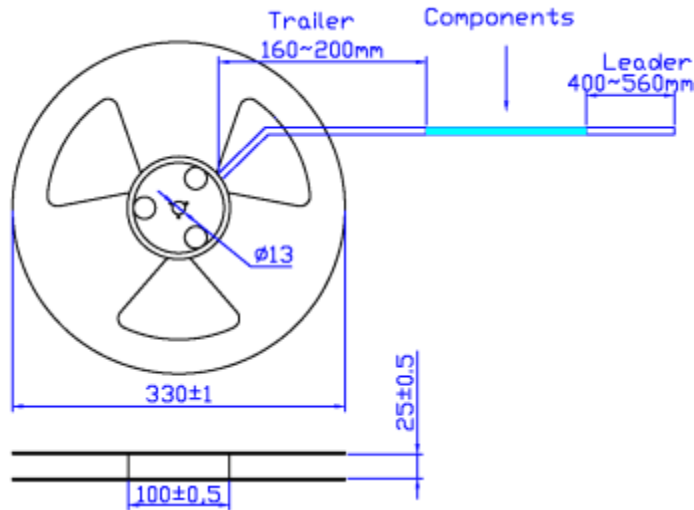
<http://www.chinasound.com>

email: market@chinasound.com

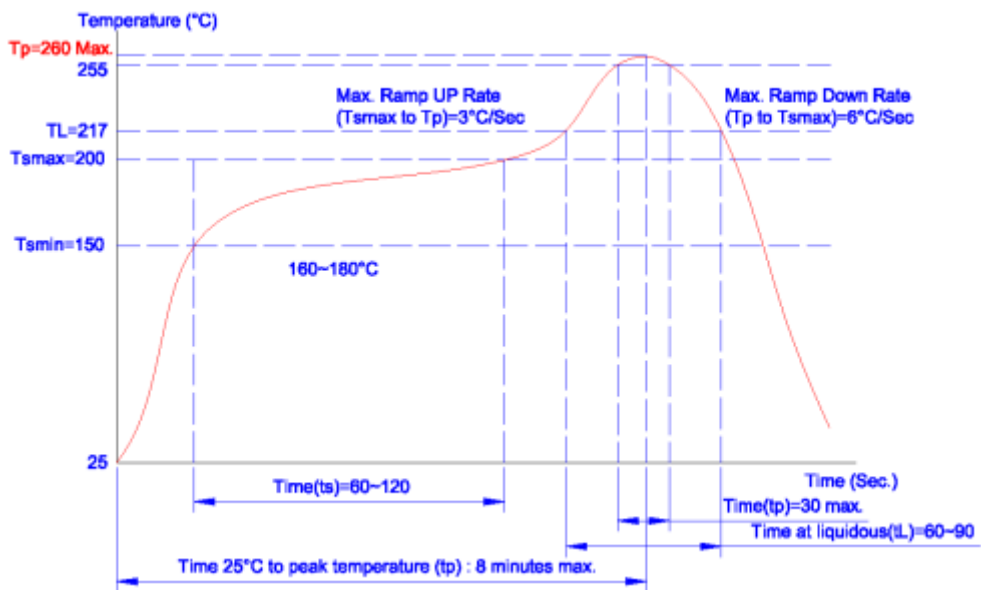
Tape & Reel Dimensions (Unit:mm)



1. 10 sprocket holes pitch cumulative tolerance +/-0.20mm.
2. Carrier camber not to exceed 1 mm in 100 mm.
3. Ao and Bo measured on a plane on a place 0.3 mm above the bottom of the pocket.
4. Ko measured from a plane on the inside bottom of the pocket to the top surface of the carrier.
5. All dimensions meet EIA-481-2-A requirements.
6. Thickness: 0.40+/-0.05 mm.
7. Component loaded per 13" reel: 750 pcs.



Recommend Reflowing Profile



All specifications are subject to change without notice

Composed by: Eileen G/151026 Checked by: Johnny Z, James Z /151026 Approved by: William W/151026



CHANGZHOU CHINASOUND ELECTRONICS CO., LTD.

Tel: +86-519-86182518 Fax: 86182519

<http://www.chinasound.com>

email: market@chinasound.com

Revisions History

Version Number	Description	Name	Date
SP1.10.065-A0	Original, CSMS15S4.3-4S0.3-P950F	Eileen Guan	2015-10-26

Composed by: Eileen G/151026 Checked by: Johnny Z, James Z /151026 Approved by: William W/151026

ChinaSound

CHANGZHOU CHINASOUND ELECTRONICS CO., LTD.

Tel: +86-519-86182518 Fax: 86182519

<http://www.chinasound.com>

email: market@chinasound.com