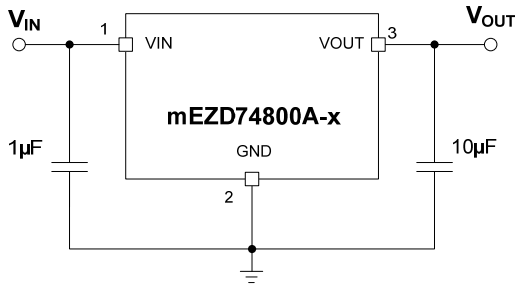


mEZ Product Options:

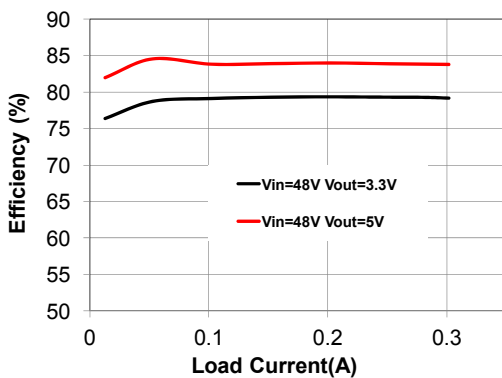
1. Ready-to-Use products
 2. Do-It-Yourself.
- Manufacture assistance is provided



Typical Application Circuit

Efficiency vs. Load Current

$V_{IN}=48V$, $V_{OUT}=3.3V$ and $5V$



NOTE: All electrical characteristics are tested under 25°C ambient temperature, $V_{IN}=48V$ unless otherwise noted.

FEATURES

- 4.5V to 75V Wide Operating Input
- 0.3A Load Current
- Hiccup Short-Circuit Protection
- Over-/Under-Voltage Protection
- Over-Current Protection
- Over-Temperature Protection
- Open Design Files and BOM
- Meets EN55022 Class B Emissions

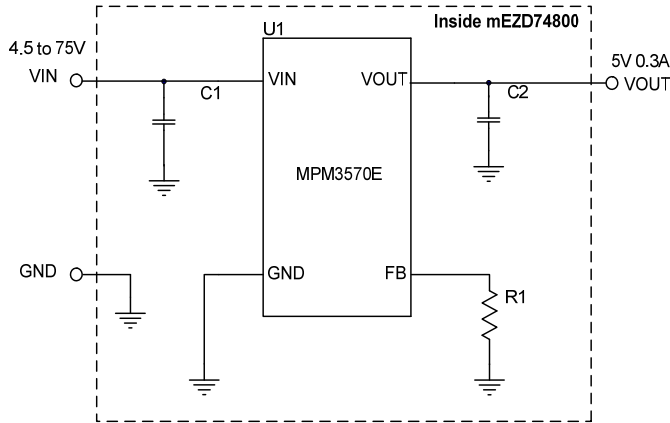
ORDERING INFORMATION

Part Number	Input Voltage (V)	Output Voltage (V)	Output Current (A)
mEZD74800A-A	4.5 - 75	3.3	0.3
mEZD74800A-B	4.5 - 75	5	0.3

ELECTRICAL CHARACTERISTICS

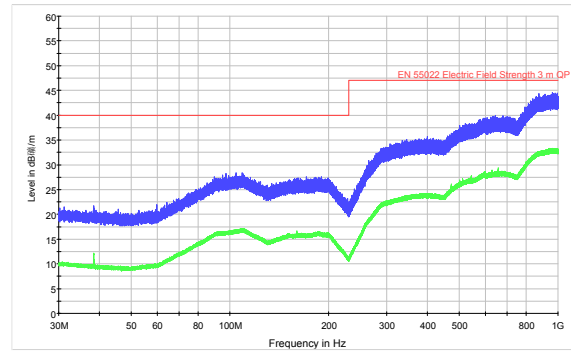
Input Voltage Range	V_{IN_MIN} higher than V_{OUT} by 1V	4.5 to 75V
Output Voltage Set Accuracy		±1.7% (Typ.)
Output Voltage Ripple	$V_{IN}=48V$, $V_{OUT}=3.3V$, Full Load	44mV
Line Regulation	V_{IN} from MIN to MAX, $V_{OUT}=3.3V$	±0.5% (Typ.)
Load Regulation	I_{OUT} from MIN to MAX, $V_{OUT}=3.3V$	±1% (Typ.)
Switching Frequency	$V_{OUT}=3.3V$	140kHz
	$V_{OUT}=5V$	165kHz
Short-Circuit Protection	Short Output to Ground	Hiccup Mode
Operating Temperature Range		-40 to 85°C
Over-Temperature Protection	OTP	175°C
Rise Time	V_{OUT} from 0% to 90%	1.54ms (Typ.)
Calculated MTBF	MIL-HDBK-217F	4185x10 ³ hrs

DO-IT-YOURSELF SCHEMATIC



RADIATED EMISSIONS

(EN55022 Class B)
24VIN, 5VOUT @ 0.3A

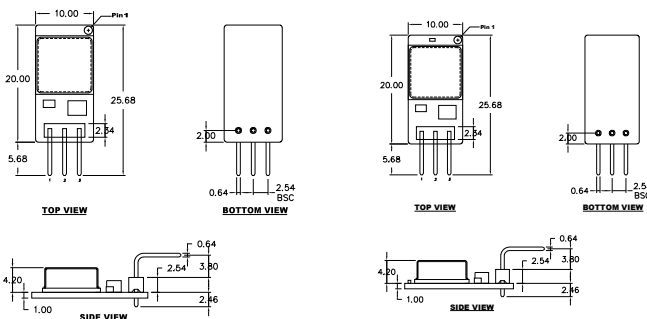


BILL OF MATERIALS

Item	Qty	RefDes	Value	Description	Package	Manufacturer	Manufacturer P/N
1	1	C1	4.7μF	Ceramic Cap., 100V, X7S	1210	muRata	GRM32DC72A475KE01L/ C3225X7S2A475M200AB
2	1	C2	22μF	Ceramic Cap., 10V, X7T	0805	muRata	GRM21BD71A226ME44L/ GRM21BR61A226ME51L
3	1	R1	698kΩ	Film Res., 0.5%	0402	Yageo	RC0402DR-07698KL
4	1	U1	MPM3570E	Synchronous Step-Down Module	LGA10X10	MPS	MPM3570EGLD-Z
5	1	P1	3-pin	3-pin male connector, right angle	Bulk	MYIC	MPS010SRRA-3
6	1	PCB		PCB	10x20mm		mEZD74800A-B

*R1=698kΩ is for 5V output only, R1=NS in 3V3 output version.

PRODUCT PACKAGE AND DIMENSIONS



mEZD74800A-A

mEZD74800A-B

Pin	Designation	Function
1	VIN	Input Voltage
2	GND	Power Ground
3	VOUT	Output Voltage

NOTE:

Contact factory for different sizes of the boards (Quantity>2k).

For more information, Gerber files, and PCB layout, please contact mEZsupport@monolithicpower.com