



MP3320A

4-Channel, Charge Pump RGB LED Driver with I²C Interface

DESCRIPTION

The MP3320A is a 4-channel, self-adaptive, charge pump RGB LED driver that operates across a wide 1.8V to 5.5V input voltage (V_{IN}) range. Each channel can reach a maximum current of up to 51mA and a maximum output voltage (V_{OUT}) of up to 5.5V.

The MP3320A integrates an I²C interface with up to 16 configurable I²C addresses via an external resistor. Each channel can be enabled or disabled through the I²C.

The MP3320A employs both separated pulse-width modulation (PWM) dimming and analog dimming for each LED channel, as well as 10-bit PWM dimming and 8-bit analog dimming for each channel. Phase shift is also integrated during PWM dimming to reduce inrush current and eliminate audible noise.

To ensure system reliability, the MP3320A integrates rich protections including LED open protection, LED short protection, over-voltage protection (OVP), and over-temperature protection.

The MP3320A is available in a QFN-14 (2mmx2mm) package.

FEATURES

- 1.8V to 5.5V Input Voltage (V_{IN}) Range
- 5.5V Max Output Voltage (V_{OUT})
- 4 Channels, Max 51mA/Ch
- Enable/Disable for Each Channel
- Internal, Self-Adaptive Charge Pump
- Charge Pump Auto-Transfer Rate: 1x, 1.5x, and 2x
- 8-Bit Analog Dimming for Each Channel
- 10-Bit Pulse-Width Modulation (PWM) Dimming for Each Channel
- Configurable PWM Dimming Frequency (f_{PWM})
- 400kHz I²C-Compatible Interface
- Configurable Phase Shift
- High Efficiency
- LED Open Protection and LED Short Protection
- Over-Voltage Protection (OVP)
- Over-Temperature Protection
- Available in a QFN-14 (2mmx2mm) Package

APPLICATIONS

- Wearable Devices
- LED Indicators
- Smart and Intelligent Devices

All MPS parts are lead-free, halogen-free, and adhere to the RoHS directive. For MPS green status, please visit the MPS website under Quality Assurance. "MPS", the MPS logo, and "Simple, Easy Solutions" are trademarks of Monolithic Power Systems, Inc. or its subsidiaries.

TYPICAL APPLICATION

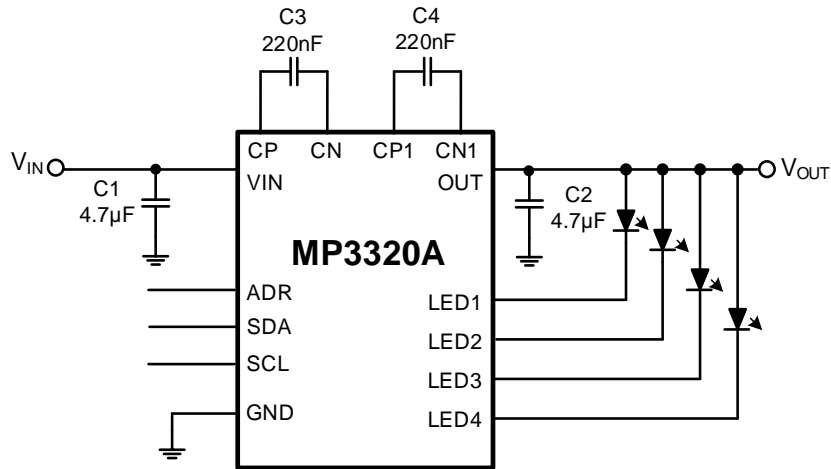


Figure 1: Typical Application Circuit (V_{IN} Is Not Sufficient to Drive LED1 to LED4)

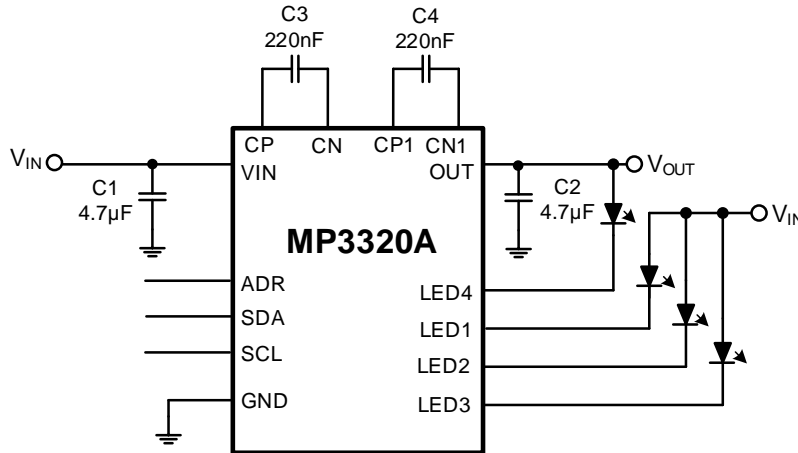


Figure 2: Typical Application Circuit (V_{IN} Is Sufficient to Drive LED1 to LED3 but Insufficient to Drive LED4)

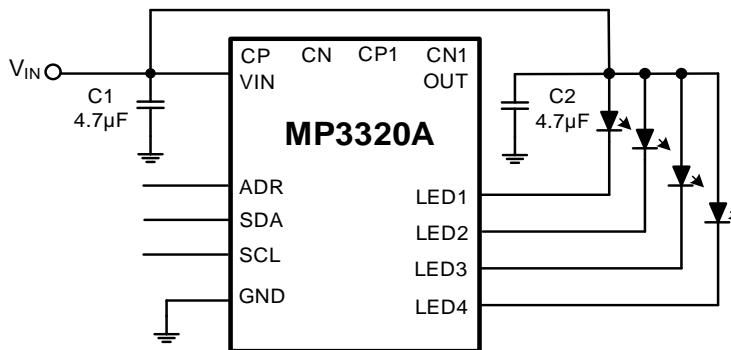


Figure 3: Typical Application Circuit (V_{IN} Is Sufficient to Drive LED1 to LED4)

ORDERING INFORMATION

Part Number*	Package	Top Marking	MSL Rating
MP3320AGG	QFN-14 (2mmx2mm)	See Below	1

* For Tape & Reel, add suffix -Z (e.g. MP3320AGG-Z).

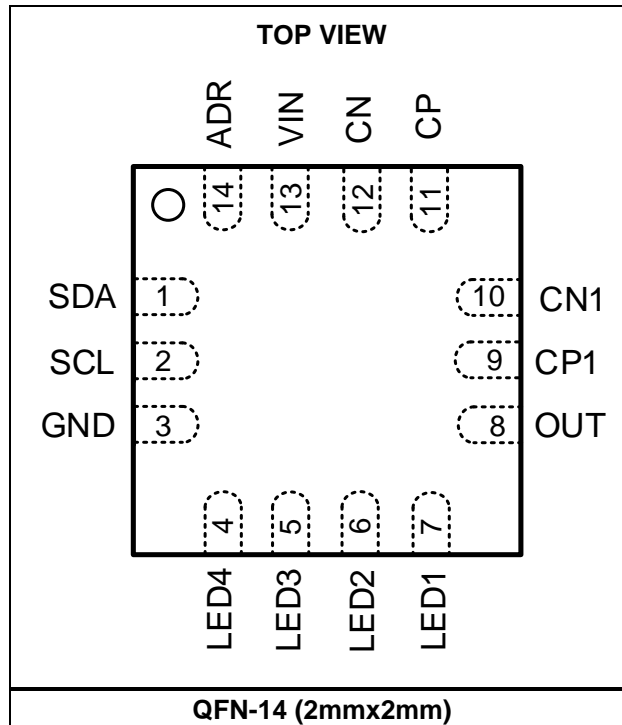
TOP MARKING

LPY

LLLL

LP: Product code
 Y: Year code
 LLLL: Lot number

PACKAGE REFERENCE



PIN FUNCTIONS

Pin #	Name	Description
1	SDA	I ² C interface data input/output.
2	SCL	I ² C interface clock input.
3	GND	Ground.
4	LED4	Channel 4's white LED current input. Connect the LED channel 4 cathode to this pin.
5	LED3	Channel 3's blue LED current input. Connect the LED channel 3 cathode to this pin.
6	LED2	Channel 2's green LED current input. Connect the LED channel 2 cathode to this pin.
7	LED1	Channel 1's red LED current input. Connect the LED channel 1 cathode to this pin.
8	OUT	Charge pump output.
9	CP1	Charge pump flying capacitor terminal 1.
10	CN1	Charge pump flying capacitor terminal 2.
11	CP	Charge pump flying capacitor terminal 3.
12	CN	Charge pump flying capacitor terminal 4.
13	VIN	Input power supply. Place a bypass capacitor close to the VIN pin.
14	ADR	I ² C address setting. Configure the I ² C addresses by connecting a resistor between ADR and GND.

ABSOLUTE MAXIMUM RATINGS ⁽¹⁾

All pins-0.3V to +6V
 Junction temperature 150°C
 Lead temperature260°C
 Storage temperature..... -65°C to +150°C
 Continuous power dissipation (T_A = 25°C) ⁽²⁾
 QFN-14 (2mmx2mm) 1.56W

ESD Ratings

Human body model (HBM)±2kV
 Charged device model (CDM)±2kV

Recommended Operating Conditions ⁽³⁾

Supply voltage (V_{IN}) 1.8V to 5.5V
 LED load <5V
 Operating junction temp..... -40°C to +125°C

Thermal Resistance ⁽⁴⁾ **θ_{JA}** **θ_{JC}**
 QFN-14 (2mmx2mm).....80.....16...°C/W

Notes:

- 1) Exceeding these ratings may damage the device.
- 2) The maximum allowable power dissipation is a function of the maximum junction temperature, T_J (MAX), the junction-to-ambient thermal resistance, θ_{JA}, and the ambient temperature, T_A. The maximum allowable continuous power dissipation at any ambient temperature is calculated by P_D (MAX) = (T_J (MAX) - T_A) / θ_{JA}. Exceeding the maximum allowable power dissipation can produce an excessive die temperature, which may cause the regulator to go into thermal shutdown. Internal thermal shutdown circuitry protects the device from permanent damage.
- 3) The device is not guaranteed to function outside of its operating conditions.
- 4) Measured on JESD51-7, a 4-layer PCB.

ELECTRICAL CHARACTERISTICS

V_{IN} = 3.7V, T_J = 25°C, unless otherwise noted.

Parameters	Symbol	Condition	Min	Typ	Max	Units
Input Supply						
Operating input voltage	V _{IN}		1.8		5.5	V
Standby current	I _{STB}	V _{IN} = 5.5V, I ² C is enabled, EN = 0, no switching		1500	2000	nA
Quiescent current	I _Q	V _{IN} = 3.7V, EN = 1, no switching		1	1.5	mA
V _{IN} under-voltage lockout (UVLO) threshold	V _{IN_UVLO}	Rising edge			1.8	V
V _{IN} UVLO hysteresis				110		mV
Charge Pump Block						
Switching frequency	f _{SW}	FSW[2:0] = 100b	0.9	1	1.1	MHz
MOSFET on resistance	R _{DS(ON)}	V _{IN} = 2.5V		0.9		Ω
LED Current Regulation						
LED current accuracy	I _{LED}	PWMx[10:0] = 0x400, ICHx[7:0] = 0x64	19.5	20	20.5	mA
		PWMx[10:0] = 0x400, ICHx[7:0] = 0x01		0.2		mA
LED current matching ⁽⁵⁾		PWMx[10:0] = 0x400, ICHx [7:0] = 0x64		0.75		%
Pulse-width modulation (PWM) dimming frequency	f _{PWM}	DMBLK = 0, FPWM[7:0] = 0x10	-10%	1.95	+10%	kHz
PWM dimming pulse width	t _{PWM_MIN}	DMBLK = 0, FPWM[7:0] = 0x10, ICHx[7:0] = 0xC8 PWMx[10:0] = 0x002		1		μs
Blinking frequency	f _{BLK}	DMBLK = 1, CH4MD = 1, FBLK[7:0] = 0x20	-10%	1.907	+10%	Hz
Blinking pulse width	t _{BLK_MIN}	DMBLK = 1, CH4MD = 1, FBLK[7:0] = 0x20, DUTYBLK[7:0] = 0x01		16		ms
LED regulation headroom voltage	V _{HD}	I _{LED} = 20mA		300		mV
Protections						
LED short protection threshold	V _{SLP}	SLP[1:0] = 10b	2.8	3	3.2	V
LED short protection delay time	t _{SLP}			24		ms
Short protection delay time of all enabled LED channels ⁽⁶⁾	t _{SLP_ALL}			100		ms
LED open protection threshold	V _{LED_UVP}		50	80	110	mV
LED open protection delay time	t _{OLP}			24		ms
Over-voltage protection (OVP) threshold	V _{OVP}	Rising edge	5	5.5	6	V
OVP hysteresis		Hysteresis		500		mV
Over-temperature protection threshold	T _{ST}	Rising edge		150		°C
	T _{ST_HYS}	Hysteresis		25		°C

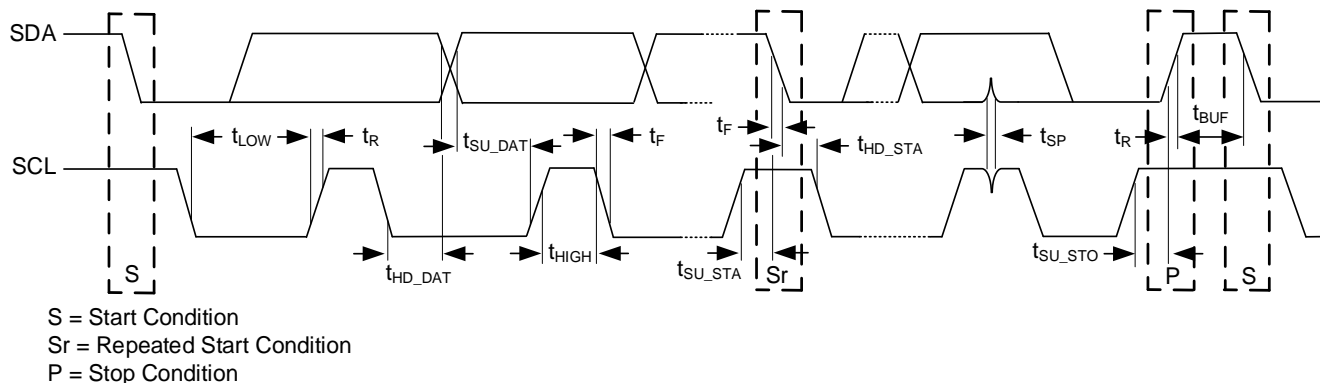
ELECTRICAL CHARACTERISTICS (continued)

 V_{IN} = 3.7V, T_J = 25°C, unless otherwise noted.

Parameters	Symbol	Condition	Min	Typ	Max	Units
I²C Interface						
Input logic low	V _{IL}				0.99	V
Input logic high	V _{IH}		2.31			V
Output logic low ⁽⁶⁾	V _{OL}	I _{LOAD} = 3mA			0.4	V
SCL clock frequency ⁽⁶⁾	f _{SCL}				400	kHz
SCL high time ⁽⁶⁾	t _{HIGH}		0.26			μs
SCL low time ⁽⁶⁾	t _{LOW}		0.5			μs
Data set-up time ⁽⁶⁾	t _{SU_DAT}		50			ns
Data hold time ⁽⁶⁾	t _{HD_DAT}		0			μs
Set-up time for a repeated start condition ⁽⁶⁾	t _{SU_STA}		0.26			μs
Hold time for a start condition ⁽⁶⁾	t _{HD_STA}		0.26			μs
Bus free time between a start and a stop condition ⁽⁶⁾	t _{BUF}		0.5			μs
Set-up time for a stop condition ⁽⁶⁾	t _{SU_STO}		0.26			μs
Rise time of SCL and SDA ⁽⁶⁾	t _R				120	ns
Fall time of SCL and SDA ⁽⁶⁾	t _F				120	ns
Pulse width of suppressed spike ⁽⁶⁾	t _{SP}		0		50	ns
Capacitance for each bus line ⁽⁶⁾	C _B				400	pF

Notes:

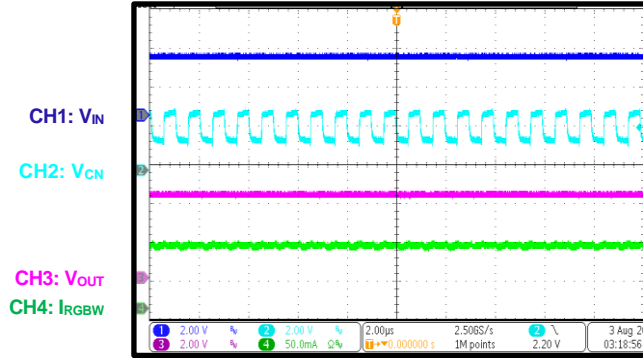
- 5) Matching is defined as the difference between the maximum current and minimum current, divided by 2 times the average current.
 6) Not tested in production. Guaranteed by characterization.


Figure 4: I²C-Compatible Interface Timing Diagram

TYPICAL PERFORMANCE CHARACTERISTICS

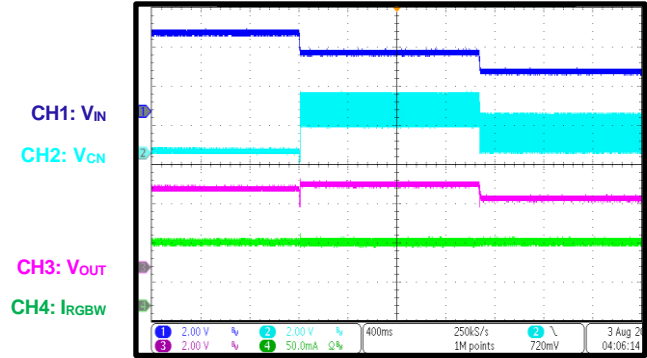
V_{IN} = 3V, RGBW LED load = 20mA/channel, self-adaptive charge pump mode, f_{sw} = 1MHz, T_A = 25°C, unless otherwise noted.

Steady State



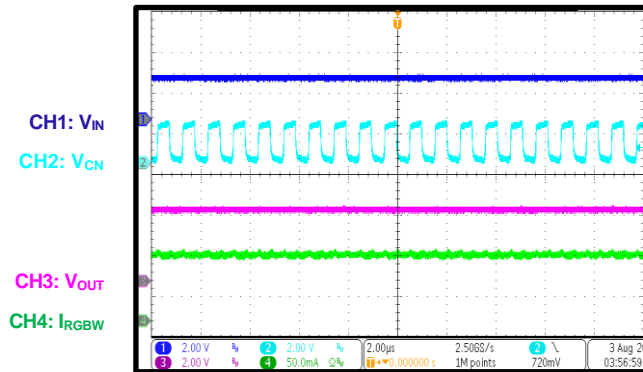
Steady State

V_{IN} changes from 4V to 3V to 2V

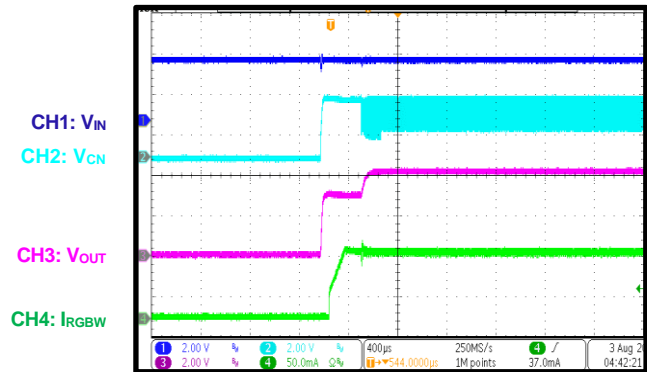


Steady State

Fixed charge pump mode (V_{OUT} = 2 x V_{IN}), V_{IN} = 2V

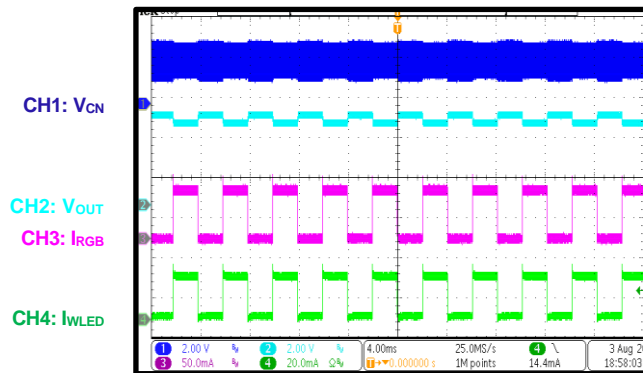


Start-Up through EN



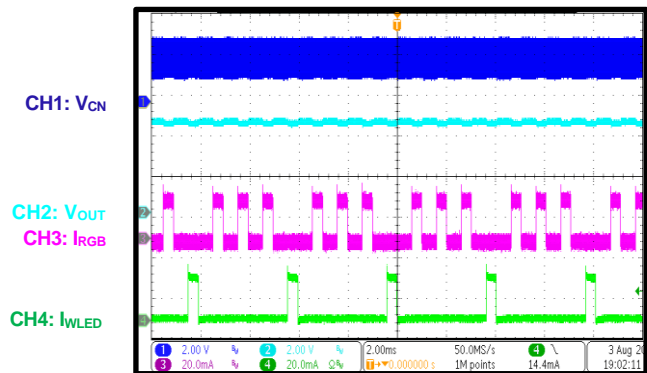
PWM Dimming

f_{PWM} = 244Hz, D_{PWM} = 50%



PWM Dimming with Phase Shift

f_{PWM} = 244Hz, D_{PWM} = 10%, 90° phase shift

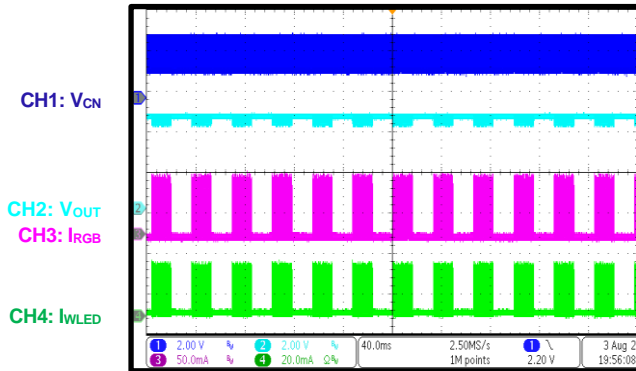


TYPICAL PERFORMANCE CHARACTERISTICS (continued)

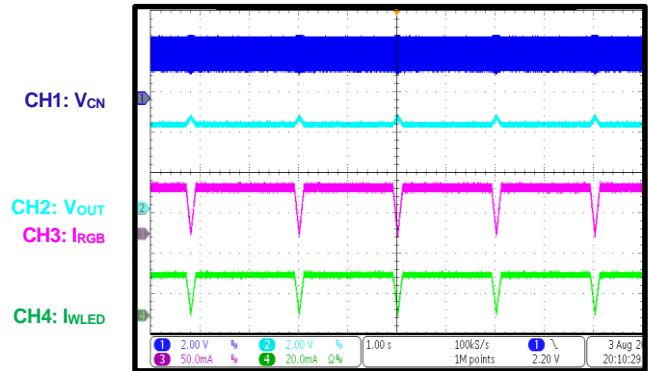
$V_{IN} = 3V$, RGBW LED load = 20mA/channel, self-adaptive charge pump mode, $f_{sw} = 1MHz$, $T_A = 25^{\circ}C$, unless otherwise noted.

Blinking Mode

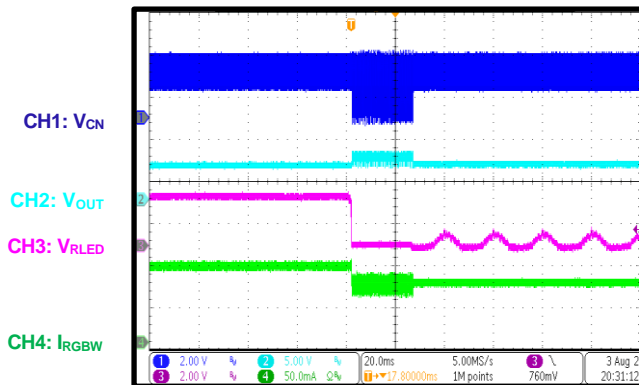
$f_{PWM} = 1.95kHz$, $D_{PWM} = 50\%$, all channels blinking (30Hz/50% infinitely)


Breathing Light Mode

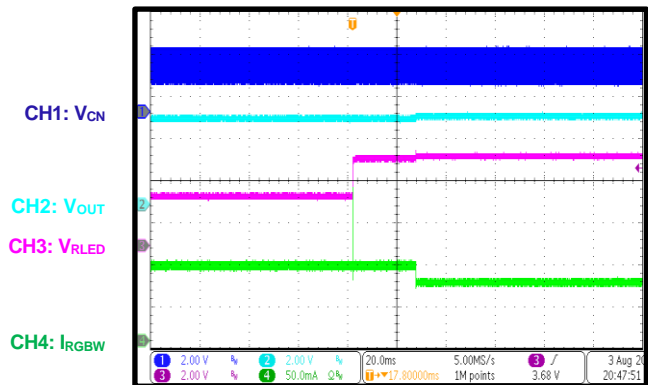
$D_{PWM} = 100\%$, all channels blinking (0.5Hz/95% infinitely), $t_{STEP_UP} = t_{STEP_DOWN} = 1ms/step$


LED Open Protection

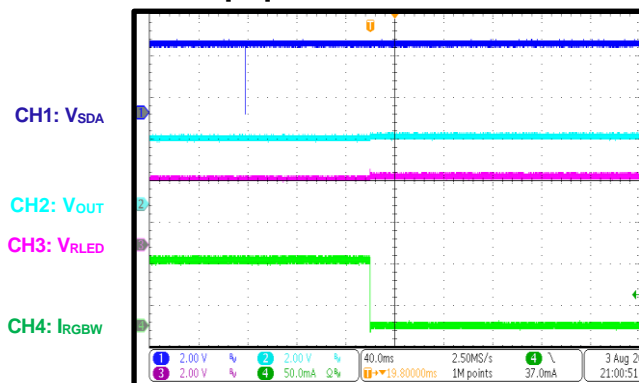
$OLP_MD[1:0] = 10b$, open RLED under normal operation


LED Short Protection

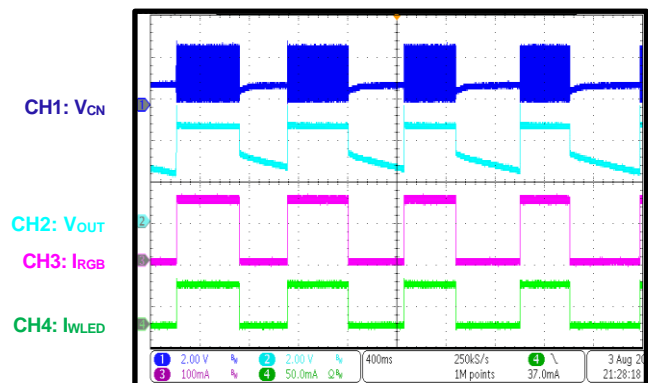
$SLP_MD[1:0] = 10b$, short RLED under normal operation

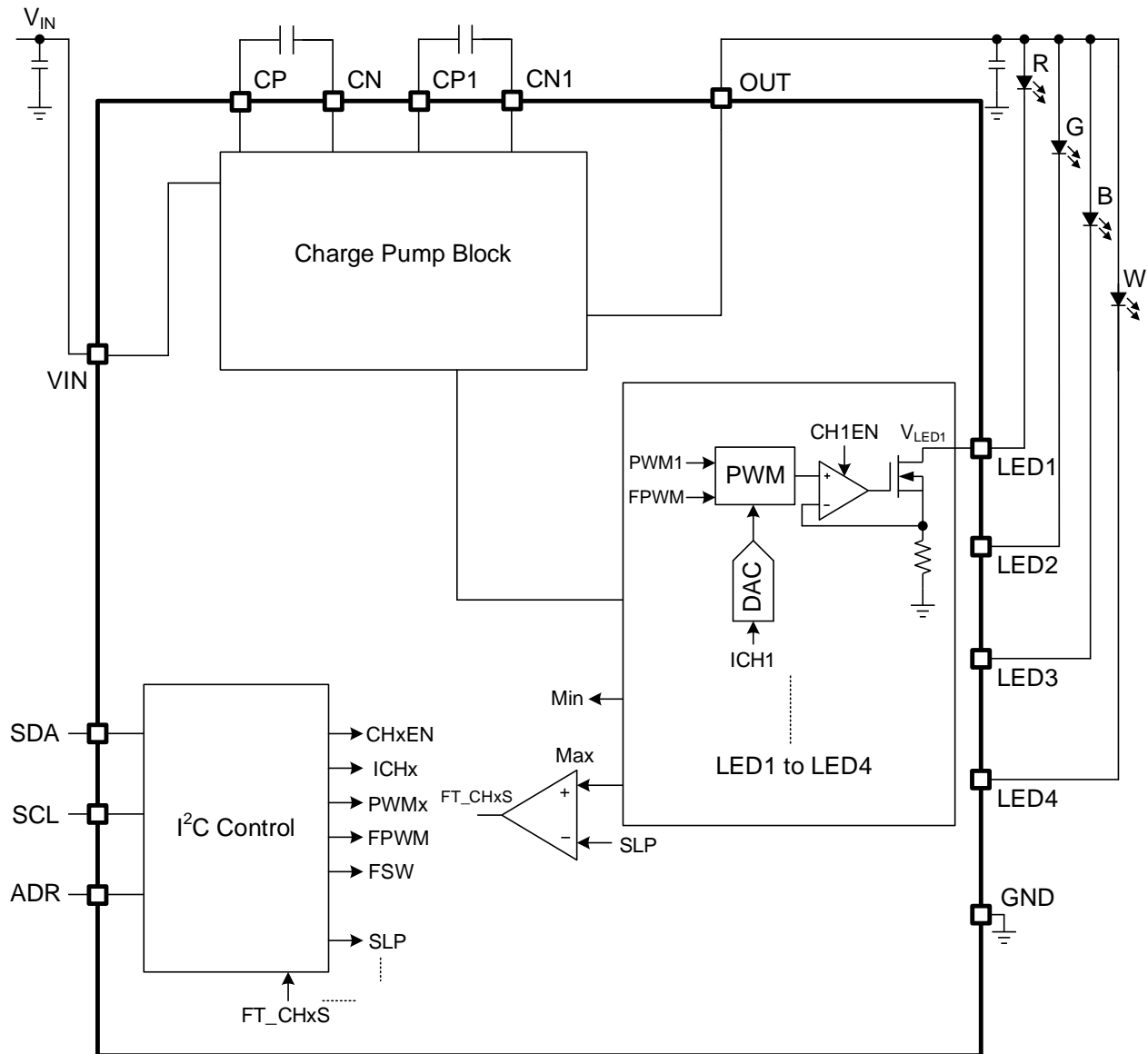

Short All LED Protections

$V_{IN} = 3.3V$, short RGBW LED, change $SLP_MD[1:0]$ from 00b to 10b


Over-Temperature Protection

50mA/channel



FUNCTIONAL BLOCK DIAGRAM

Figure 5: Functional Block Diagram

OPERATION

The MP3320A is a RGBW LED driver that integrates a self-adaptive charge pump block and an I²C interface, and is ideal for LED indicators and smart device lighting. The device has up to 4 channels of regulated current sources with 8-bit analog dimming and 10-bit pulse-width modulation (PWM) dimming.

System Start-Up

When the input voltage (V_{IN}) exceeds the under-voltage lockout (UVLO) threshold, the MP3320A enters standby mode and the I²C is enabled. Set the EN bit high to enable the IC and start up the system.

Channel Selection

The four channels can be enabled by setting the corresponding CHxEN bit (where $x = 1, 2, 3,$ or 4) high; the channels can be disabled by setting the corresponding CHxEN low. If V_{IN} significantly exceeds channel x 's LED forward voltage, set the CLEDx bit (where $x = 1, 2, 3,$ or 4) high to directly connect the anode to V_{IN} and select the corresponding channel as a pure current source without requiring loop control.

Charge Pump Converter

The MP3320A integrates a self-adaptive charge pump block that can be configured to work in different modes when enabled. Figure 6 shows the charge pump block's structure diagram.

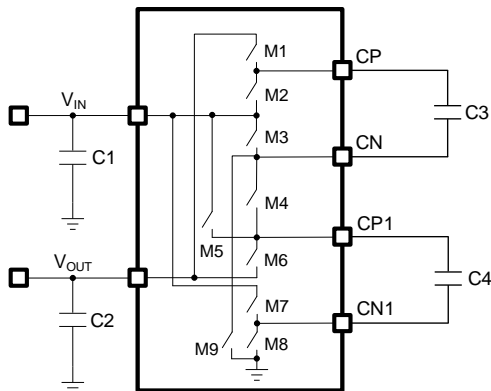


Figure 6: Charge Pump Block Structure Diagram

Enable and Disable

Set the EN_CP bit high to enable the charge pump block; set EN_CP low to disable the charge pump block. If disabled, the output voltage (V_{OUT}) is disconnected from the IC's internal input voltage (V_{IN}) and M1~M9 turn off. Once V_{IN} is sufficiently high to drive the LED load

of all the enabled channels and V_{IN} is externally connected to the LED channel anodes, EN_CP can be reset to disable the charge pump block and the corresponding CLEDx bit (where $x = 1, 2, 3,$ or 4) can be set to use all the enabled channels as pure current sources.

Fixed Charge Pump Mode

$V_{OUT}[1:0]$ sets the charge pump mode. If $V_{OUT}[1:0] = 01b$ ($V_{OUT} = V_{IN}$), V_{IN} is directly connected to V_{OUT} . Figure 7 shows the equivalent circuit of $V_{OUT}[1:0] = 01b$.

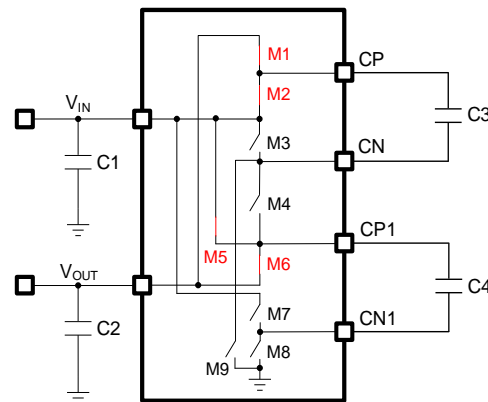


Figure 7: $V_{OUT}[1:0] = 01b$ Equivalent Circuit

If $V_{OUT}[1:0] = 10b$ ($V_{OUT} = 1.5 \times V_{IN}$), there are two phases in each switching cycle. In phase 1, V_{IN} charges C3 and C4 in series, and C2 supplies power to the load (see Figure 8).

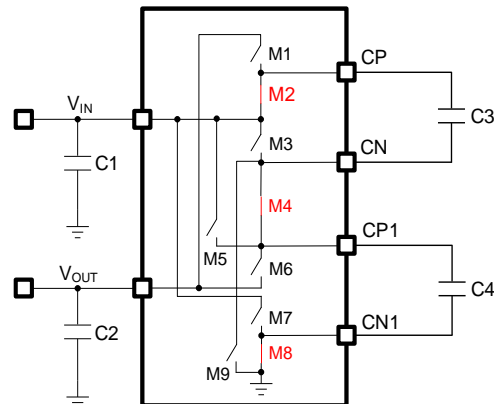


Figure 8: Phase 1 of $V_{OUT}[1:0] = 10b$ Equivalent Circuit

In phase 2, V_{IN} connects C3 or C4 in series to charge C2 and supply power to the load (see Figure 9 on page 11).

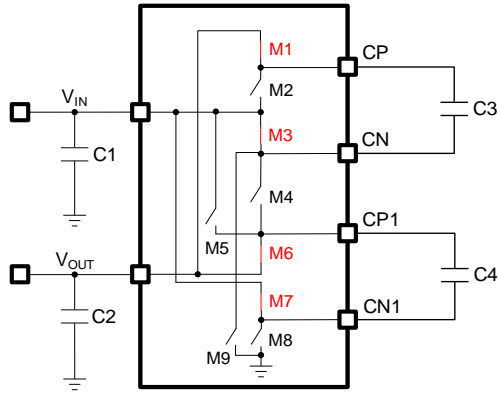


Figure 9: Phase 2 of VOUT[1:0] = 10b Equivalent Circuit

If VOUT[1:0] = 11b ($V_{OUT} = 2 \times V_{IN}$), there are also two phases in each switching cycle. In phase 1, V_{IN} charges C3 and connects C4 in series to charge C2 and supply power to the load (see Figure 10).

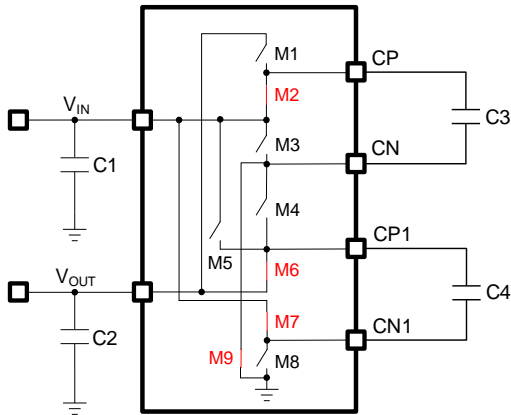


Figure 10: Phase 1 of VOUT[1:0] = 11b Equivalent Circuit

In phase 2, V_{IN} charges C4 and connects C3 in series to charge C2 and supply power to the load (see Figure 11).

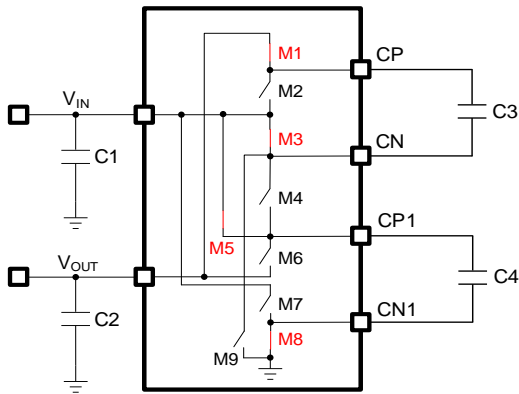


Figure 11: Phase 2 of VOUT[1:0] = 11b Equivalent Circuit

For fixed charge pump mode, a suitable voltage rate must be selected to prevent V_{OUT} from repeatedly reaching the over-voltage protection (OVP) threshold.

Self-Adaptive Charge Pump Mode

If $V_{OUT}[1:0] = 00b$, the charge pump block works in self-adaptive mode, where the initial conversion rate is 1x when the system starts up. The converter then automatically selects the lowest active headroom voltage (V_{LEDx_MIN}) of $CHxEN = 1$ and $CLEDx = 0$ as the feedback voltage to regulate the conversion rate.

If V_{LEDx_MIN} is below 0.3V, the conversion rate rises a step. For example, a 1x current rate rises to 1.5x, and a 1.5x current rate rises to 2x. If V_{LEDx_MIN} exceeds $0.5 \times V_{IN} + 0.5V$, the conversion rate decreases by a step. For example, a 1.5x current rate drops to 1x, and a 2x current rate drops to 1.5x.

If V_{OUT} reaches the OVP threshold five times and each time interval is less than 1ms, then the conversion rate decreases by a step.

Dimming and Blinking Control

Dimming Control

The MP3320A supports independent analog and PWM dimming for each channel, where each channel has an 8-bit analog dimming register and 10-bit PWM dimming register.

For analog dimming, channel x's LED current (I_{LEDx}) varies with the I_{LEDx} setting register value. Adjust the code of $ICHx[7:0]$ (where $x = 1, 2, 3,$ or 4) to achieve the corresponding channel's analog dimming. I_{LEDx} can be calculated with Equation (1):

$$I_{LEDx} = 0.2 \times ICHx[7:0] \text{ (mA)} \quad (1)$$

If $ICH1[7:0] = 0x64$, channel 1's current amplitude is 20mA.

Figure 12 shows analog dimming for the RGBW LED.

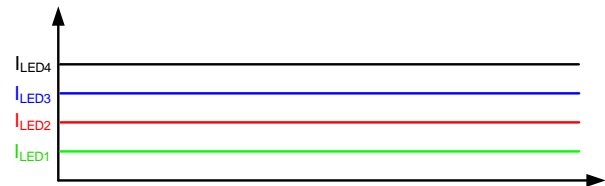


Figure 12: Analog Dimming for RGBW LED

During PWM dimming, I_{LEDx} is chopped. The I_{LEDx} amplitude remains unchanged while the I_{LEDx} duty (D_{ILEDx}) varies with the PWM duty setting register, $PWMx[10:0]$ (where $x = 1, 2, 3,$ or 4). The $PWMx[10:0]$ range is from $0x000$ to $0x400$. D_{ILEDx} can be calculated with Equation (2):

$$D_{ILEDx} = \frac{PWMx[10:0]}{1024} \quad (2)$$

The PWM dimming frequency (f_{PWM}) can be selected by $FPWM[7:0]$. The default is $FPWM[7:0] = 0x10$ with a 1.95kHz corresponding f_{PWM} .

Figure 13 shows the simultaneous application of analog dimming and PWM dimming for the RGBW LED.

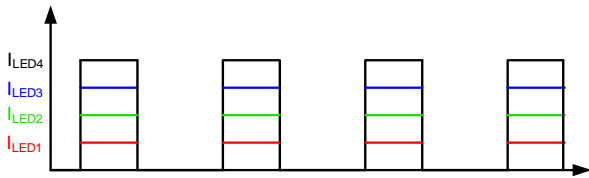


Figure 13: Analog and PWM Dimming for RGBW LED

Blinking Control

The MP3320A supports blinking control. Table 1 shows the blinking mode register configuration.

Table 1: Blinking Mode Register Configuration

CH4MD	Blinking Mode Register Configuration			
	DMBLK = 0b		DMBLK = 1b	
	CH1~3	CH4	CH1~3	CH4
0b	No blinking	Blinking	Blinking	No blinking
1b	No blinking	Blinking	Blinking	Blinking

For blinking control, the blinking frequency (f_{BLK}) can be set with $FBLK[7:0]$ and calculated using Equation (3):

$$f_{BLK} = \frac{1}{t_{BLK}} = \frac{1}{16.384ms \times FBLK[7:0]} \quad (3)$$

The blinking on time (t_{BLK_ON}) can be set with $DUTYBLK[7:0]$ and calculated using Equation (4):

$$t_{BLK_ON} = 16.384 \times DUTYBLK[7:0] \text{ (ms)} \quad (4)$$

Consider when $FBLK[7:0] = 0x20$ and $DUTYBLK[7:0] = 0x03$, f_{BLK} is about 1.9Hz and the blinking duty is about 10%. If t_{BLK_ON} exceeds

the blinking period (t_{BLK}), the actual blinking duty is 100% and there is no blinking effect.

Figure 14 shows all four channels working in PWM and analog dimming modes while blinking.

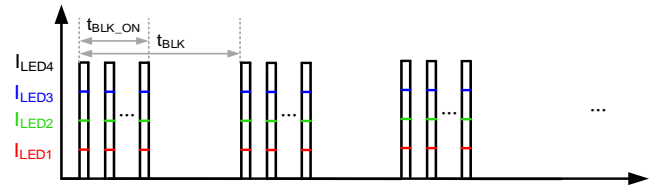


Figure 14: PWM Dimming, Analog Dimming, and Blinking for RGBW LED

Figure 15 shows channel 1, channel 2, and channel 3 working in both dimming and blinking mode, meanwhile channel 4 works in dimming mode without blinking.

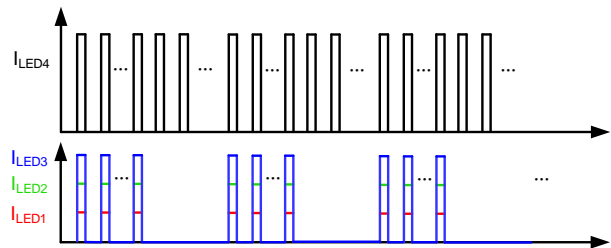


Figure 15: PWM Dimming, Analog Dimming, and Blinking for RGB LED vs. Dimming Without Blinking for WLED

$BLK_TIMES[7:0]$ sets the blinking cycles. If $BLK_TIMES[7:0] = 0x00$, the MP3320A continues to operate in blinking mode. If $BLK_TIMES[7:0] = 0xFF$, the blinking lasts for 255 cycles. Once the blinking ends, the IC remains in dimming mode if $BLK_PWM = 1b$ or enters standby mode if $BLK_PWM = 0b$.

Breathing Light

To achieve a breathing effect, all four channels must work in blinking mode ($DMBLK = 1b$, $CH4MD = 1b$) and the I_{LEDx} duty must reach 100% ($PWMx[10:0] = 0x400$, where $x = 1, 2, 3,$ or 4). Under these conditions, $STEP_UP[3:0]$ and $STEP_DOWN[3:0]$ can be configured to achieve the breathing effect.

In breathing mode, t_{BLK_ON} begins from the first step-up moment to the first step-down moment. If the required total time from the first step-up moment to the I_{LEDx} amplitude exceeds t_{BLK_ON} , I_{LEDx} steps down from the present value once t_{BLK_ON} ends.

If I_{LEDx} does not step down to 0 until the end of one blinking cycle, I_{LEDx} steps up from the present value in the next blinking cycle.

Figure 16 shows I_{LEDx} under the breathing light.

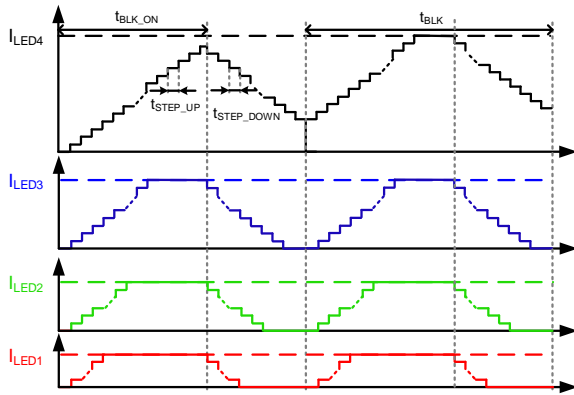


Figure 16: I_{LEDx} under Breathing Light

Phase Shift

The MP3320A integrates phase shift to eliminate audible noise and reduce inrush current in PWM dimming. The phase shift function is enabled by setting PS[1:0]. When the phase shift function is enabled, the rising edge sequence of I_{LED1} to I_{LED4} follows: channel 4, channel 3, channel 2, channel 1. The PS[1:0] setting determines the shifted phase, described below:

- If PS[1:0] = 00b, phase shift is disabled.
- If PS[1:0] = 01b, phase shift is enabled and the shifted phase is 90°.
- If PS[1:0] = 10b, phase shift is enabled and the shifted phase is 120°.
- If PS[1:0] = 11b, phase shift is enabled and the shifted phase is 180°.

Note that the rising edge sequence and shifted phase of I_{LED1} to I_{LED4} remain unchanged even when certain channels are disabled. When PS[1:0] = 01b and channel 2 is disabled, the I_{LED1} rising edge delays 180° after the I_{LED3} rising edge.

Protections

The MP3320A integrates LED open protection, LED short protection, OVP, and over-temperature protection. All channels include a corresponding LED open and LED short fault indicator bit.

LED Open Protection

LED open protection is achieved by detecting the LED_x (where x = 1, 2, 3, or 4) voltage (V_{LEDx}). V_{LEDx} drops when an LED is open. If V_{LEDx} drops below the LED open protection threshold and lasts for 24ms, LED open protection is triggered by setting OLP_MD [1:0]. Once an LED open protection is triggered, the IC has different actions depending on the OLP_MD[1:0] setting, described below:

- If OLP_MD[1:0] = 00b, the IC has no action.
- If OLP_MD[1:0] = 01b, the IC sets the corresponding fault indicator bit, FT_CHxO (where x = 1, 2, 3, or 4).
- If OLP_MD[1:0] = 10b, the IC sets the corresponding fault indicator bit, FT_CHxO (where x = 1, 2, 3, or 4), and turns off the fault channel.
- If OLP_MD[1:0] = 11b, the IC sets the corresponding fault indicator bit, FT_CHxO (where x = 1, 2, 3, or 4) and resets EN to 0 to enter standby mode. The IC exits standby mode once EN is set to 1.

LED Short Protection

The MP3320A monitors V_{LEDx} to determine whether a LED short fault occurs. If one or more LED strings are shorted, the LED_x pins tolerate high voltage stress. If V_{LEDx} exceeds the LED short protection threshold (configured by SLP[1:0]) and lasts for 24ms, LED short protection is triggered. If V_{LEDx} of all the enabled channels exceed the protection threshold, LED short protection can be triggered only when this fault condition lasts for 100ms. Once an LED short protection is triggered, the IC has different actions depending on the SLP_MD[1:0] setting, described below:

- If SLP_MD[1:0] = 00b, the IC has no action.
- If SLP_MD[1:0] = 01b, the IC sets the corresponding fault indicator bit, FT_CHxS (where x = 1, 2, 3, or 4).
- If SLP_MD[1:0] = 10b, the IC sets the corresponding fault indicator bit, FT_CHxS (where x = 1, 2, 3, or 4), and turns off the fault channel.

- If SLP_MD[1:0] = 11b, the IC sets the corresponding fault indicator bit, FT_CHxS (where x = 1, 2, 3, or 4) and resets EN to 0 to enter standby mode. The IC exits standby mode once EN is set to 1.

Over-Temperature Protection

To prevent the IC from operating at an exceedingly high temperature, over-temperature protection is implemented by detecting the silicon die temperature. If the die temperature

exceeds the upper threshold (T_{ST}), the IC shuts down and resumes normal operation when the die temperature drops below the lower threshold. Typically, the hysteresis value is 25°C.

One-Time Programmable (OTP) Memory

The MP3320A can change the register default values one time via the one-time programmable (OTP) memory function. MPS can provide a custom default value with a different -3320A suffix.

I²C INTERFACE

I²C Chip Address

The device address of the 7 most significant bits (MSB) is 0x60~0x6F, where A3~A0 is configured via an ADR resistor (R_{ADR}). Table 2 shows the various R_{ADR} ranges and recommended R_{ADR} configurations to set the I²C address.

Table 2: I²C ADR Resistor vs. Device Address

R_{ADR} Range (1% Accuracy) (k Ω)	Recommended R_{ADR} (k Ω)	I ² C Address (A3A2A1A0)
<0.97	0	0000
1.7~2.9	2.2	0001
3.8~4.8	4.3	0010
5.8~6.8	6.2	0011
7.8~8.8	8.2	0100
9.9~11.4	11	0101
12.6~14	13	0110
15.3~17.3	16	0111
18.7~21.2	20	1000
22.8~25.8	24	1001
27.6~32.3	30	1010
34.4~38.8	36	1011
41.2~46.7	43	1100
49.3~71.5	62	1101
75.2~89.8	82	1110
>95	>150 or floating	1111

Figure 17 shows an I²C-compatible device address, where A0~A3 is configured by the ADR pin. After a start (S) condition, the I²C-compatible master sends a 7-bit address, followed by an eighth data direction bit (where 1 = read and 0 = write).

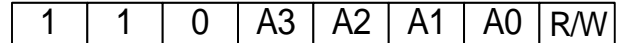


Figure 17: I²C-Compatible Device Address

I²C REGISTER MAP ⁽⁷⁾

Add	Default	D7	D6	D5	D4	D3	D2	D1	D0	
00h	00h	ID7	ID6	ID5	ID4	ID3	ID2	ID1	ID0	
01h	07h	NC	NC	NC	DMLBK	EN	CH4MD	BLK_PWM	EN_CP	
02h	20h	VOUT1	VOUT0	FSW2	FSW1	FSW0	NC	NC	NC	
03h	0Fh	CLED4	CLED3	CLED2	CLED1	CH4EN	CH3EN	CH2EN	CH1EN	
04h	11h	STEP_UP3	STEP_UP2	STEP_UP1	STEP_UP0	STEP_DOWN3	STEP_DOWN2	STEP_DOWN1	STEP_DOWN0	
05h	10h	FPWM7	FPWM6	FPWM5	FPWM4	FPWM3	FPWM2	FPWM1	FPWM0	
06h	20h	FBLK7	FBLK6	FBLK5	FBLK4	FBLK3	FBLK2	FBLK1	FBLK0	
07h	03h	DUTY_BLK7	DUTY_BLK6	DUTY_BLK5	DUTY_BLK4	DUTY_BLK3	DUTY_BLK2	DUTY_BLK1	DUTY_BLK0	
08h	00h	BLK_TIMES7	BLK_TIMES6	BLK_TIMES5	BLK_TIMES4	BLK_TIMES3	BLK_TIMES2	BLK_TIMES1	BLK_TIMES0	
09h	A8h	SLP_MD1	SLP_MD0	OLP_MD1	OLP_MD0	SLP1	SLP0	PS1	PS0	
0Ah	64h	ICH1[7:0]								
0Bh	64h	ICH2[7:0]								
0Ch	64h	ICH3[7:0]								
0Dh	64h	ICH4[7:0]								
0Eh	00h	NC					PWM1[2:0]			
0Fh	80h	PWM1[10:3]								
10h	00h	NC					PWM2[2:0]			
11h	80h	PMW2[10:3]								
12h	00h	NC					PWM3[2:0]			
13h	80h	PWM3[10:3]								
14h	00h	NC					PWM4[2:0]			
15h	80h	PMW4[10:3]								
16h	00h	FT_CH4S	FT_CH3S	FT_CH2S	FT_CH1S	FT_CH4O	FT_CH3O	FT_CH2O	FT_CH1O	

Note:

7) All registers have a configurable OTP memory by default.

I²C REGISTER DESCRIPTION

REG00h: Device ID Register

Addr: 0x00				
Bits	Bit Name	Access	Default	Description
7:0	ID[7:0]	R	00	Enables the device ID.

REG01h: Blinking Mode Setting Register

Addr: 0x01				
Bits	Bit Name	Access	Default	Description
7:5	RESERVED	R/W	3'b000	Reserved. Do not change the default value.
4	DMBLK	R/W	1'b0	Sets the dimming or blinking mode. 1'b0: Dimming mode 1'b1: Blinking mode
3	EN	R/W	1'b0	Enables the IC. 1'b0: Standby mode 1'b1: Enabled
2	CH4MD	R/W	1'b1	Enables channel 4 in blinking mode. 1'b0: Channel 4 does not work in blinking mode, and follows PWM dimming and analog dimming. 1'b1: If DMBLK = 1, channel 1 to channel 4 work in blinking mode; if DMBLK = 0, channel 1 to channel 4 do not work in blinking mode.
1	BLK_PWM	R/W	1'b1	Sets the operation mode after blinking completes. 1'b0: IC enters standby mode after blinking completes. 1'b1: IC follows PWM and analog dimming after blinking completes.
0	EN_CP	R/W	1'b1	Enables the charge pump block. 1'b0: Disabled 1'b1: Enabled When the charge pump block is disabled, channel 1 to channel 4 can only work in pure current source mode.

REG02h: Charge Pump Mode Setting Register

Addr: 0x02				
Bits	Bit Name	Access	Default	Description
7:6	VOUT[1:0]	R/W	2'b00	Sets the charge pump mode. 2'b00: Minimum active V _{LEDx} control 2'b01: 1x 2'b10: 1.5x 2'b11: 2x
5:3	FSW[2:0]	R/W	3'b100	Sets the charge pump switching frequency (f _{sw}). 3'b000: 200kHz 3'b001: 400kHz 3'b010: 666kHz 3'b011: 800kHz 3'b100: 1MHz 3'b101: 1.33MHz 3'b110~3'b111: Reserved
2:0	RESERVED	R/W	3'b000	Reserved. Do not change the default value.

REG03h: Channel Setting Register

Addr: 0x03				
Bits	Bit Name	Access	Default	Description
7	CLED4	R/W	1'b0	Sets channel 4 to operate white LED in pure current source. 1'b0: Connects to the boost control loop 1'b1: Channel 4 works in pure current source
6	CLED3	R/W	1'b0	Sets channel 3 to operate blue LED in pure current source. 1'b0: Connects to the boost control loop 1'b1: Channel 3 works in pure current source
5	CLED2	R/W	1'b0	Sets channel 2 to operate green LED in pure current source. 1'b0: Connects to the boost control loop 1'b1: Channel 2 works in pure current source
4	CLED1	R/W	1'b0	Sets channel 1 to operate red LED in pure current source. 1'b0: Connects to the boost control loop 1'b1: Channel 1 works in pure current source
3	CH4EN	R/W	1'b1	Enables channel 4. 1'b0: Disables channel 4 1'b1: Enables channel 4
2	CH3EN	R/W	1'b1	Enables channel 3. 1'b0: Disables channel 3 1'b1: Enables channel 3
1	CH2EN	R/W	1'b1	Enables channel 2. 1'b0: Disables channel 2 1'b1: Enables channel 2
0	CH1EN	R/W	1'b1	Enables channel 1. 1'b0: Disables channel 1 1'b1: Enables channel 1

REG04h: Step-Up and Step-Down Time Setting Register

Addr: 0x04				
Bits	Bit Name	Access	Default	Description
7:4	STEP_UP [3:0]	R/W	4'b0001	Sets the current step-up time (μ s/step). 4'b0001: 2 μ s 4'b0010: 4 μ s 4'b0011: 8 μ s 4'b0100: 16 μ s 4'b0101: 32 μ s 4'b0110: 64 μ s 4'b0111: 128 μ s 4'b1000: 256 μ s 4'b1001: 512 μ s 4'b1010: 1ms 4'b1011: 2ms 4'b1100: 4ms 4'b1101: 8ms 4'b1110: 16ms 4'b1111: 32ms
3:0	STEP_DOWN [3:0]	R/W	4'b0001	Sets the current step-down time (μ s/step). 4'b0001: 2 μ s 4'b0010: 4 μ s 4'b0011: 8 μ s 4'b0100: 16 μ s 4'b0101: 32 μ s 4'b0110: 64 μ s 4'b0111: 128 μ s 4'b1000: 256 μ s 4'b1001: 512 μ s 4'b1010: 1ms 4'b1011: 2ms 4'b1100: 4ms 4'b1101: 8ms 4'b1110: 16ms 4'b1111: 32ms

REG05h: PWM Dimming Frequency Setting Register

Addr: 0x05				
Bits	Bit Name	Access	Default	Description
7:0	FPWM[7:0]	R/W	10	<p>Sets the PWM dimming frequency (f_{PWM}). In dimming mode (DMBLK = 0), f_{PWM} can be set according to the following register values:</p> <p>01: 31.25kHz 02: 15.625kHz 03: 10.42kHz 04: 7.81kHz 05: 6.25kHz 06: 5.2kHz 07: 4.46kHz 08: 3.906kHz 10: 1.95kHz 18: 1.30kHz 20: 976Hz 28: 781Hz 30: 651Hz 38: 558Hz 40: 488Hz 48: 434Hz 50: 390Hz 58: 355Hz 60: 325Hz 68: 300Hz 70: 279Hz 78: 260Hz 80: 244Hz</p> <p>Note that when $f_{PWM} > 3.906\text{kHz}$ (FPWM[7:0] < 0x08), the PWM dimming duty resolution is below 10 bits if the clock frequency is 4MHz.</p>

REG06h: Blinking Frequency Setting Register

Addr: 0x06				
Bits	Bit Name	Access	Default	Description
7:0	FBLK[7:0]	R/W	20	<p>In blinking mode (DMBLK = 1), the blinking frequency (f_{BLK}) can be calculated with the following equation:</p> $f_{BLK} = 1 / (16.384\text{ms} \times \text{FBLK}[7:0])$ <p>f_{BLK} can be set according to the following register values:</p> <p>01: 61Hz 02: 30.5Hz 03: 20.3Hz ... 20: 1.907Hz ... 3D: 1Hz ... 7A: 0.5Hz ... FF: 0.239Hz</p>

REG07h: Blinking Duty Setting Register

Addr: 0x07				
Bits	Bit Name	Access	Default	Description
7:0	DUTYBLK[7:0]	R/W	03	<p>In blinking mode, the blinking on time (t_{BLK_ON}) can be calculated with the following equation:</p> $t_{BLK_ON} = 16.384 \times DUTYBLK[7:0] \text{ (ms)}$ <p>If DUTYBLK[7:0] = 0x03 and FBLK[7:0] = 0x20, the blinking duty is about 10%.</p>

REG08h: Blinking Cycles Setting Register

Addr: 0x08				
Bits	Bit Name	Access	Default	Description
7:0	BLK_TIMES [7:0]	R/W	00	<p>Sets the blinking cycles.</p> <p>00: Infinitely runs in blinking mode 01: 1 cycle 02: 2 cycles 03: 3 cycles ... FF: 255 cycles</p>

REG09h: Protection and Phase Shift Setting Register

Addr: 0x09				
Bits	Bit Name	Access	Default	Description
7:6	SLP_MD[1:0]	R/W	2'b10	<p>Sets the IC action after triggering LED short protection.</p> <p>2'b00: No action 2'b01: Sets corresponding fault bit, FT_CHxS (where x = 1, 2, 3, or 4) 2'b10: Sets corresponding fault bit, FT_CHxS (where x = 1, 2, 3, or 4), and turns off the fault channel 2'b11: Sets corresponding fault bit, FT_CHxS (where x = 1, 2, 3, or 4), and resets EN to 0 to enter standby mode. The IC exits standby mode once EN is set to 1.</p>
5:4	OLP_MD[1:0]	R/W	2'b10	<p>Sets the IC action after triggering LED open protection.</p> <p>2'b00: No action 2'b01: Sets corresponding fault bit, FT_CHxO (where x = 1, 2, 3, or 4) 2'b10: Sets corresponding fault bit, FT_CHxO (where x = 1, 2, 3, or 4), and turns off the fault channel 2'b11: Sets corresponding fault bit, FT_CHxO (where x = 1, 2, 3, or 4), and resets EN to 0 to enter standby mode. The IC exits standby mode once EN is set to 1.</p>
3:2	SLP[1:0]	R/W	2'b10	<p>Sets the LED short protection threshold.</p> <p>2'b00: 2V 2'b01: 2.5V 2'b10: 3V 2'b11: 3.5V</p>
1:0	PS[1:0]	R/W	2'b00	<p>Sets the phase shift function.</p> <p>2'b00: No phase shift 2'b01: 90° phase shift 2'b10: 120° phase shift 2'b11: 180° phase shift</p>

REG0Ah: Channel 1 LED Current Amplitude Setting Register

Addr: 0x0A				
Bits	Bit Name	Access	Default	Description
7:0	ICH1[7:0]	R/W	64	<p>Sets the channel 1 I_{LED} amplitude, where I_{LED1} can be calculated with the following equation:</p> $I_{LED1} = 0.2 \times ICH1[7:0] \text{ (mA)}$ <p>Where if the ICH1[7:0] value increases by one step, then I_{LED1} increases by 0.2mA. The default value is 20mA.</p>

REG0Bh: Channel 2 LED Current Amplitude Setting Register

Addr: 0x0B				
Bits	Bit Name	Access	Default	Description
7:0	ICH2[7:0]	R/W	64	<p>Sets the channel 2 I_{LED} amplitude, where I_{LED2} can be calculated with the following equation:</p> $I_{LED2} = 0.2 \times ICH2[7:0] \text{ (mA)}$ <p>Where if the ICH2[7:0] value increases by one step, then I_{LED2} increases by 0.2mA. The default value is 20mA.</p>

REG0Ch: Channel 3 LED Current Amplitude Setting Register

Addr: 0x0C				
Bits	Bit Name	Access	Default	Description
7:0	ICH3[7:0]	R/W	64	<p>Sets the channel 3 I_{LED} amplitude, where I_{LED3} can be calculated with the following equation:</p> $I_{LED3} = 0.2 \times ICH3[7:0] \text{ (mA)}$ <p>Where if the ICH3[7:0] value increases by one step, then I_{LED3} increases by 0.2mA. The default value is 20mA.</p>

REG0Dh: Channel 4 LED Current Amplitude Setting Register

Addr: 0x0D				
Bits	Bit Name	Access	Default	Description
7:0	ICH4[7:0]	R/W	64	<p>Sets the channel 4 I_{LED} amplitude, where I_{LED4} can be calculated with the following equation:</p> $I_{LED4} = 0.2 \times ICH4[7:0] \text{ (mA)}$ <p>Where if the ICH4[7:0] value increases by one step, then I_{LED4} increases by 0.2mA. The default value is 20mA.</p>

REG0Eh and REG0Fh: Channel 1 LED Current PWM Dimming Duty Setting Register

Addr: 0x0E and 0x0F				
Bits	Bit Name	Access	Default	Description
2:0 7:0	PWM1[10:0]	R/W	00 80	<p>Sets the channel 1 I_{LED} PWM dimming duty (D_{ILED1}), which can be calculated with the following equation:</p> $D_{ILED1} = PWM1[10:0] / 1024$ <p>Where the default duty is 100%. PWM1[2:0] is valid after PWM1[10:3] is written.</p>

REG10h and REG11h: Channel 2 LED Current PWM Dimming Duty Setting Register

Addr: 0x10 and 0x11				
Bits	Bit Name	Access	Default	Description
2:0 7:0	PWM2[10:0]	R/W	00 80	<p>Sets the channel 2 I_{LED} PWM dimming duty (D_{ILED2}), which can be calculated with the following equation:</p> $D_{ILED2} = PWM2[10:0] / 1024$ <p>Where the default duty is 100%. PWM2[2:0] is valid after PWM2[10:3] is written.</p>

REG12h and REG13h: Channel 3 LED Current PWM Dimming Duty Setting Register

Addr: 0x12 and 0x13				
Bits	Bit Name	Access	Default	Description
2:0 7:0	PWM3[10:0]	R/W	00 80	<p>Sets the channel 3 I_{LED} PWM dimming duty (D_{ILED3}), which can be calculated with the following equation:</p> $D_{ILED3} = PWM3[10:0] / 1024$ <p>Where the default duty is 100%. PWM3[2:0] is valid after PWM3[10:3] is written.</p>

REG14h and REG15h: Channel 4 LED Current PWM Dimming Duty Setting Register

Addr: 0x14 and 0x15				
Bits	Bit Name	Access	Default	Description
2:0 7:0	PWM4[10:0]	R/W	00 80	<p>Sets the channel 4 I_{LED} PWM dimming duty (D_{ILED4}), which can be calculated with the following equation:</p> $D_{ILED4} = PWM4[10:0] / 1024$ <p>Where the default duty is 100%. PWM4[2:0] is valid after PWM4[10:3] is written.</p>

REG16h: LED Open and Short Fault Status Indicator Register

Addr: 0x16				
Bits	Bit Name	Access	Default	Description
7	FT_CH4S	R	1'b0	Sets channel 4's LED short protection fault indicator, which resets to 0 after readback or power reset. 1'b0: No short fault 1'b1: Channel 4 is shorted
6	FT_CH3S	R	1'b0	Sets channel 3's LED short protection fault indicator, which resets to 0 after readback or power reset. 1'b0: No short fault 1'b1: Channel 3 is shorted
5	FT_CH2S	R	1'b0	Sets channel 2's LED short protection fault indicator, which resets to 0 after readback or power reset. 1'b0: No short fault 1'b1: Channel 2 is shorted
4	FT_CH1S	R	1'b0	Sets channel 1's LED short protection fault indicator, which resets to 0 after readback or power reset. 1'b0: No short fault 1'b1: Channel 1 is shorted
3	FT_CH4O	R	1'b0	Sets channel 4's LED open protection fault indicator, which resets to 0 after readback or power reset. 1'b0: No open fault 1'b1: Channel 4 is open
2	FT_CH3O	R	1'b0	Sets channel 3's LED open protection fault indicator, which resets to 0 after readback or power reset. 1'b0: No open fault 1'b1: Channel 3 is open
1	FT_CH2O	R	1'b0	Sets channel 2's LED open protection fault indicator, which resets to 0 after readback or power reset. 1'b0: No open fault 1'b1: Channel 2 is open
0	FT_CH1O	R	1'b0	Sets channel 1's LED open protection fault indicator, which resets to 0 after readback or power reset. 1'b0: No open fault 1'b1: Channel 1 is open

APPLICATION INFORMATION

Selecting the Input Capacitor

The input capacitor (C_{IN}) reduces the surge current drawn from the input supply and the switching noise from the device. C_{IN} impedance at the switching frequency (f_{SW}) should be below the input source impedance to prevent the high-frequency switching current from passing through to the input. Ceramic capacitors with X5R or X7R dielectrics are recommended for their low ESR and small temperature coefficients. For most applications, a 4.7 μ F ceramic capacitor is sufficient.

Selecting the Output Capacitor

The output capacitor (C_{OUT}) keeps the output voltage ripple small and ensures feedback loop stability. C_{OUT} impedance must be low at f_{SW} . Ceramic capacitors with X7R dielectrics are recommended for their low ESR characteristics. For most applications, a 4.7 μ F ceramic capacitor is sufficient.

PCB Layout Guidelines

Efficient PCB layout is critical for stable operation. Place the bypass capacitor for V_{IN} and the fly-cap capacitors as close to the MP3320A as possible to minimize the current loops.

Figure 18 shows the recommended PCB layout.

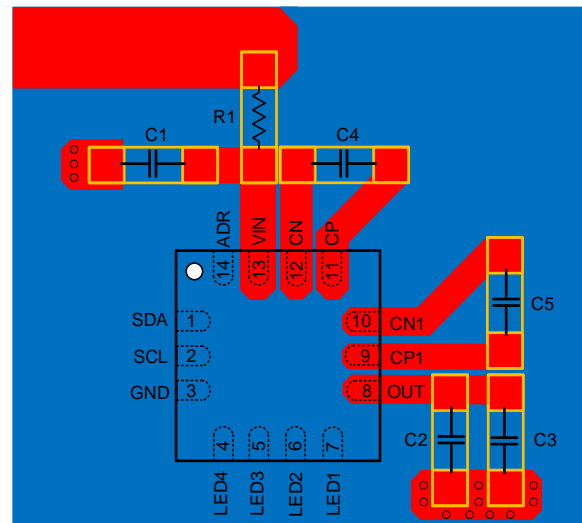
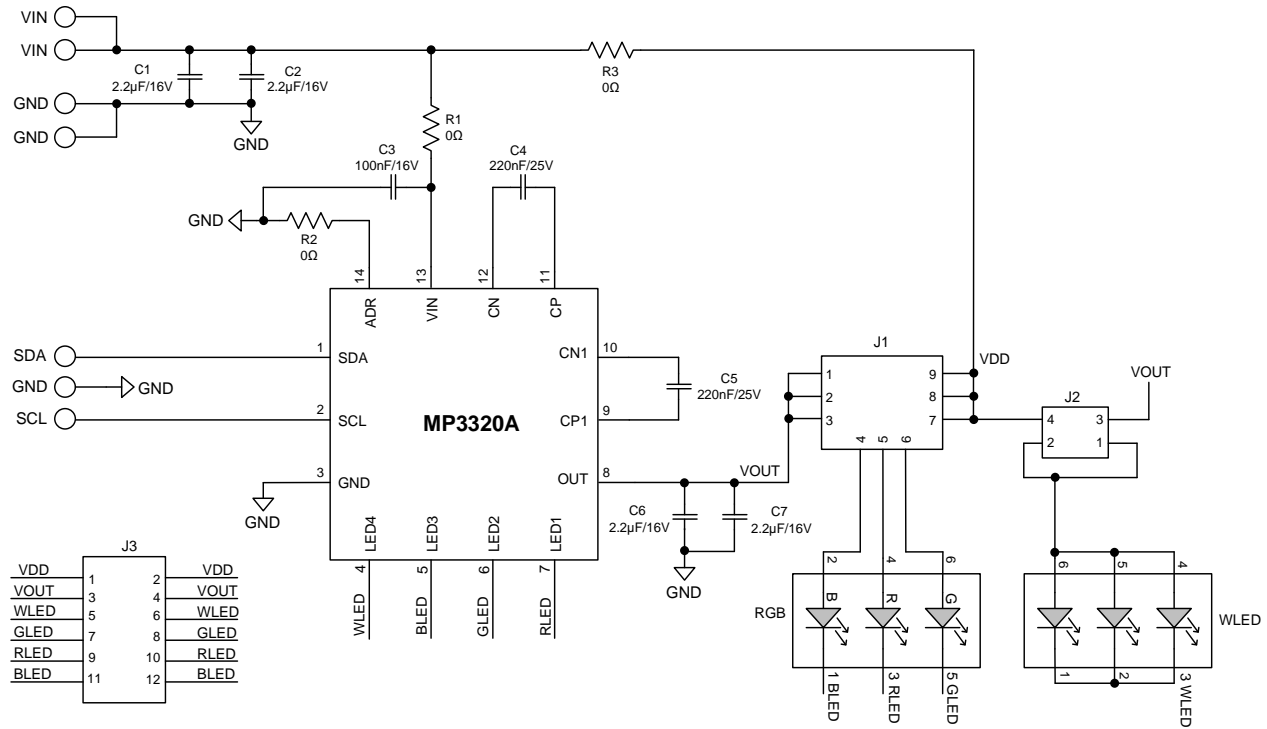
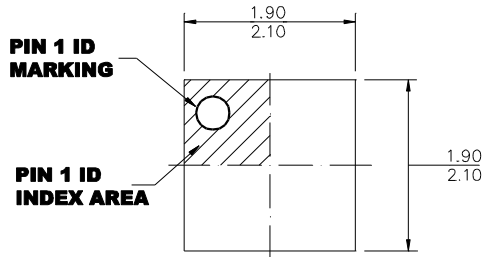


Figure 18: Recommended PCB Layout

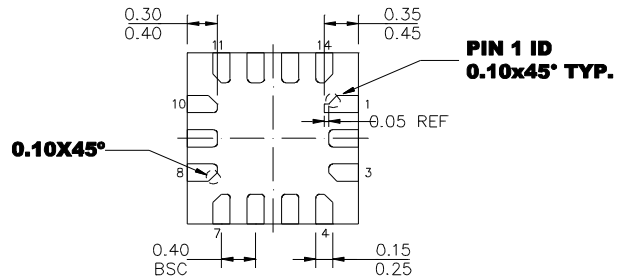
TYPICAL APPLICATION CIRCUIT

Figure 19: Typical Application Circuit

PACKAGE INFORMATION

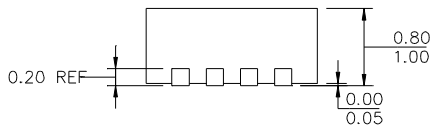
QFN-14 (2mmx2mm)



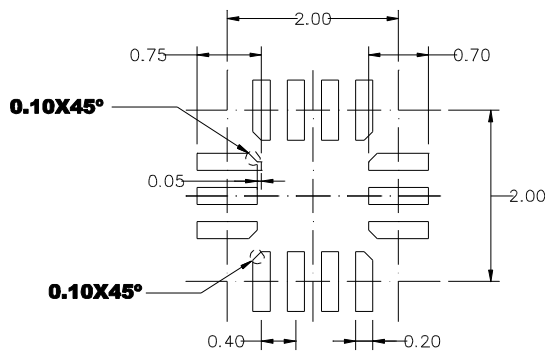
TOP VIEW



BOTTOM VIEW



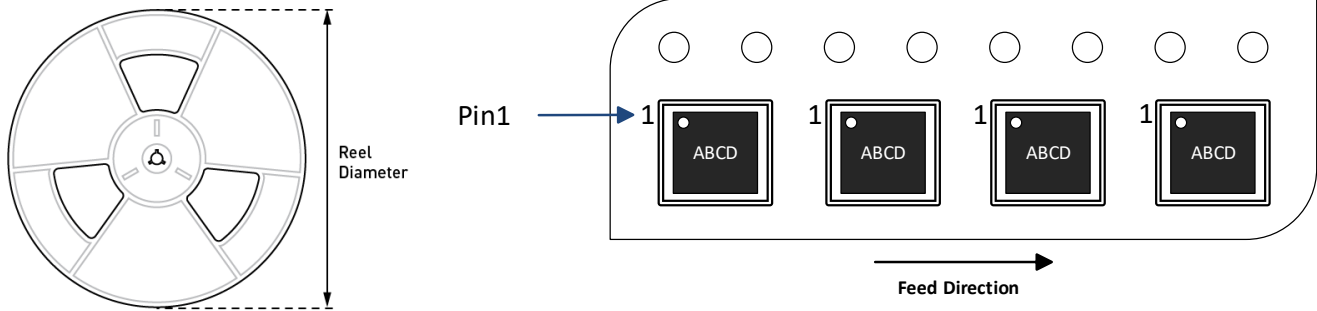
SIDE VIEW



RECOMMENDED LAND PATTERN

NOTE:

- 1) ALL DIMENSIONS ARE IN MILLIMETERS.
- 2) LEAD COPLANARITY SHALL BE 0.08 MILLIMETERS MAX.
- 3) JEDEC REFERENCE IS MO-220.
- 4) DRAWING IS NOT TO SCALE.

CARRIER INFORMATION


Part Number	Package Description	Quantity/ Reel	Quantity/ Tube	Quantity/ Tray	Reel Diameter	Carrier Tape Width	Carrier Tape Pitch
MP3320AGG-Z	QFN-14 (2mmx2mm)	5000	N/A	N/A	13in	12mm	8mm

REVISION HISTORY

Revision #	Revision Date	Description	Pages Updated
1.0	1/3/2023	Initial Release	-

Notice: The information in this document is subject to change without notice. Please contact MPS for current specifications. Users should warrant and guarantee that third-party Intellectual Property rights are not infringed upon when integrating MPS products into any application. MPS will not assume any legal responsibility for any said applications.