

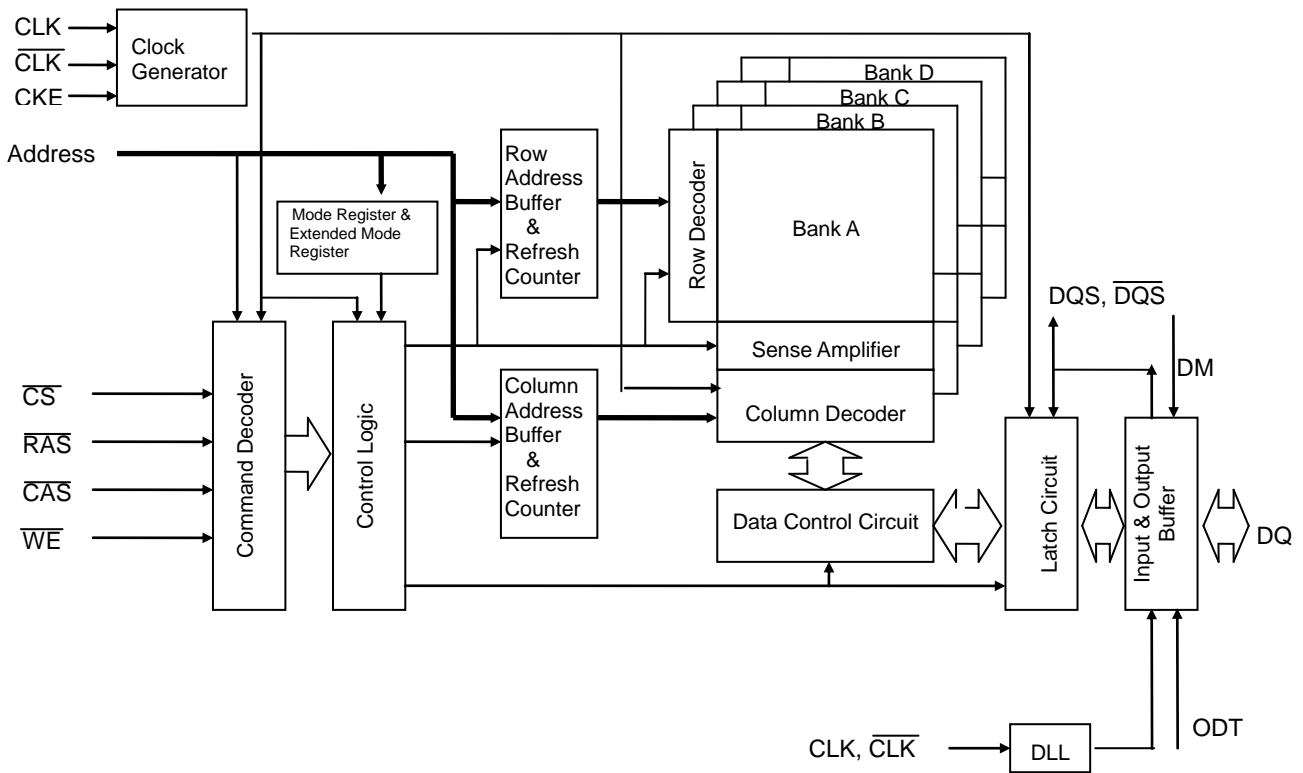
**DDR II SDRAM****8M x 16 Bit x 4 Banks****DDR II SDRAM****Features**

- JEDEC Standard
- $V_{DD} = 1.8V \pm 0.1V$ ,  $V_{DDQ} = 1.8V \pm 0.1V$
- Internal pipelined double-data-rate architecture; two data access per clock cycle
- Bi-directional differential data strobe (DQS,  $\overline{DQS}$ );  $\overline{DQS}$  can be disabled for single-ended data strobe operation.
- On-chip DLL
- Differential clock inputs (CLK and  $\overline{CLK}$ )
- DLL aligns DQ and DQS transition with CLK transition
- Quad bank operation
- CAS Latency : 3, 4, 5, 6, 7, 8, 9
- Additive Latency: 0, 1, 2, 3, 4, 5, 6, 7
- Burst Type : Sequential and Interleave
- Burst Length : 4, 8
- All inputs except data & DM are sampled at the rising edge of the system clock(CLK)
- Data I/O transitions on both edges of data strobe (DQS)
- DQS is edge-aligned with data for READ; center-aligned with data for WRITE
- Data mask (DM) for write masking only
- Off-Chip-Driver (OCD) impedance adjustment
- On-Die-Termination for better signal quality
- Special function support
  - 50/ 75/ 150 ohm ODT
  - High Temperature Self refresh rate enable
  - Duty Cycle Corrector
  - Partial Array Self Refresh (PASR)
- Auto & Self refresh
- Refresh cycle :
  - 8192 cycles/64ms (7.8 $\mu$  s refresh interval) at  $0\text{ }^{\circ}\text{C} \leq T_c \leq +85\text{ }^{\circ}\text{C}$
  - 8192 cycles/32ms (3.9 $\mu$  s refresh interval) at  $+85\text{ }^{\circ}\text{C} < T_c \leq +95\text{ }^{\circ}\text{C}$
- SSTL\_18 interface
- If  $t_{CK} < 1.875\text{ns}$ , the device can not support Write with Auto Precharge function.

**Ordering Information:**

| Product ID             | Max Freq. | VDD  | Data Rate (CL-tRCD-tRP) | Package                       | Comments |
|------------------------|-----------|------|-------------------------|-------------------------------|----------|
| M14D5121632A -1.5BG2M  | 667MHz    | 1.8V | DDR2-1333 (7-10-10)     | 84 ball BGA<br>A(max) = 1.2mm | Pb-free  |
| M14D5121632A -1.8BG2M  | 533MHz    | 1.8V | DDR2-1066 (7-7-7)       |                               |          |
| M14D5121632A -2.5BG2M  | 400MHz    | 1.8V | DDR2-800 (5-5-5)        |                               |          |
| M14D5121632A -1.8BBG2M | 533MHz    | 1.8V | DDR2-1066 (7-7-7)       | 84 ball BGA                   |          |
| M14D5121632A -2.5BBG2M | 400MHz    | 1.8V | DDR2-800 (5-5-5)        | A(max) = 1.0mm                |          |

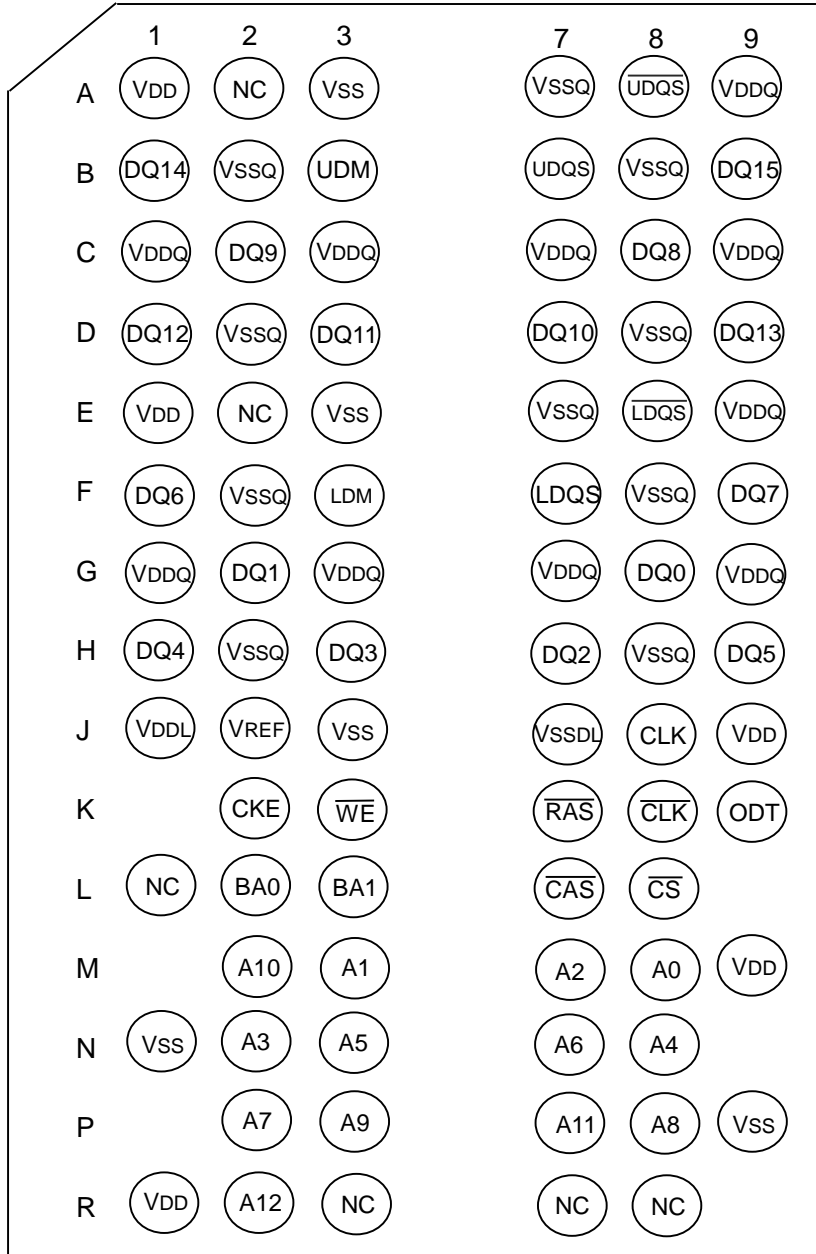
**Functional Block Diagram**



**Ball Configuration (Top View)**

**(BGA84, 8mmX12.5mmX1.2mm Body, 0.8mm Ball Pitch)**

**(BGA84, 8mmX12.5mmX1.0mm Body, 0.8mm Ball Pitch)**



## Pin Description

| Pin Name  | Function  | Pin Name                     | Function  |
|---|---|------------------------------|---|
| A0~A12,<br>BA0,BA1  | Address inputs<br>- Row address A0~A12<br>- Column address A0~A9<br>A10/AP : Auto Precharge<br>BA0, BA1 : Bank selects (4 Banks)                              | DM<br>(LDM, UDM)             | DM is an input mask signal for write data.<br>LDM is DM for DQ0~DQ7 and UDM is DM for DQ8~DQ15. |
| DQ0~DQ15  | Data-in/Data-out  | CLK, $\overline{\text{CLK}}$ | Differential clock input  |
| $\overline{\text{RAS}}$   | Command input   | CKE                          | Clock enable  |
| $\overline{\text{CAS}}$   | Command input   | $\overline{\text{CS}}$       | Chip select   |
| $\overline{\text{WE}}$  | Command input   | V <sub>DDQ</sub>             | Supply Voltage for DQ   |
| V <sub>SS</sub>   | Ground  | V <sub>SSQ</sub>             | Ground for DQ   |
| V <sub>DD</sub>   | Power   | V <sub>REF</sub>             | Reference Voltage   |
| DQS, $\overline{\text{DQS}}$<br>(LDQS, $\overline{\text{LDQS}}$<br>UDQS, $\overline{\text{UDQS}}$ ) | Bi-directional differential Data Strobe.<br>LDQS and $\overline{\text{LDQS}}$ are DQS for DQ0~DQ7;<br>UDQS and $\overline{\text{UDQS}}$ are DQS for DQ8~DQ15. | V <sub>DDL</sub>             | Supply Voltage for DLL  |
| ODT   | On-Die-Termination.<br>ODT is only applied to DQ0~DQ15, DM,<br>DQS and $\overline{\text{DQS}}$ .  | V <sub>SSDL</sub>            | Ground for DLL  |
| NC  | No connection   |                              |   |

## Absolute Maximum Rating

| Parameter  | Symbol                             | Value      | Unit         |
|--|------------------------------------|------------|--------------|
| Voltage on any pin relative to V <sub>SS</sub>                 | V <sub>IN</sub> , V <sub>OUT</sub> | -0.5 ~ 2.3 | V            |
| Voltage on V <sub>DD</sub> supply relative to V <sub>SS</sub>  | V <sub>DD</sub>                    | -1.0 ~ 2.3 | V            |
| Voltage on V <sub>DDL</sub> supply relative to V <sub>SS</sub> | V <sub>DDL</sub>                   | -0.5 ~ 2.3 | V            |
| Voltage on V <sub>DDQ</sub> supply relative to V <sub>SS</sub> | V <sub>DDQ</sub>                   | -0.5 ~ 2.3 | V            |
| Storage temperature  | T <sub>STG</sub>                   | -55 ~ +150 | °C ( Note *) |

Stresses greater than those listed under "Absolute Maximum Ratings" may cause permanent damage to the device. This is a stress rating only and functional operation of the device at these or any other conditions above those indicated in the operational sections of this specification is not implied. Exposure to absolute maximum rating conditions for extended periods may affect reliability.

**Note** \*: Storage Temperature is the case surface temperature on the center/top side of the DRAM.

## Operation Temperature Condition

| Parameter             | Symbol | Value   | Unit |
|-----------------------|--------|---------|------|
| Operation temperature | $T_C$  | 0 ~ +95 | °C   |

Note: 1. Operating temperature is the case surface temperature on the center/top side of the DRAM.

2. Supporting 0 to +85°C with full AC and DC specifications.

Supporting 0 to + 85°C and being able to extend to + 95 °C with doubling auto-refresh commands in frequency to a 32ms period (  $t_{REFI} = 3.9\mu s$  ) and higher temperature Self-Refresh entry via A7 "1" on EMRS(2).

## DC Operation Condition & Specifications

### DC Operation Condition

(Recommended DC operating conditions)

| Parameter                    | Symbol       | Min.                  | Typ.                 | Max.                  | Unit | Note  |
|------------------------------|--------------|-----------------------|----------------------|-----------------------|------|-------|
| Supply voltage               | $V_{DD}$     | 1.7                   | 1.8                  | 1.9                   | V    | 4,9   |
| Supply voltage for DLL       | $V_{DDL}$    | 1.7                   | 1.8                  | 1.9                   | V    | 4,9   |
| Supply voltage for output    | $V_{DDQ}$    | 1.7                   | 1.8                  | 1.9                   | V    | 4,9   |
| Input reference voltage      | $V_{REF}$    | $0.49 \times V_{DDQ}$ | $0.5 \times V_{DDQ}$ | $0.51 \times V_{DDQ}$ | V    | 1,2,9 |
| Termination voltage (system) | $V_{TT}$     | $V_{REF} - 0.04$      | $V_{REF}$            | $V_{REF} + 0.04$      | V    | 3,9   |
| Input logic high voltage     | $V_{IH}(DC)$ | $V_{REF} + 0.125$     | -                    | $V_{DDQ} + 0.3$       | V    |       |
| Input logic low voltage      | $V_{IL}(DC)$ | -0.3                  | -                    | $V_{REF} - 0.125$     | V    |       |

(All voltages referenced to VSS)

| Parameter  | Symbol     | Value            | Unit | Note |
|--|------------|------------------|------|------|
| Minimum required output pull-up under AC test load                       | $V_{OH}$   | $V_{TT} + 0.603$ | V    | 8    |
| Maximum required output pull-down under AC test load                     | $V_{OL}$   | $V_{TT} - 0.603$ | V    | 8    |
| Input leakage current  | $ I_{LI} $ | 5                | uA   | 5    |
| Output leakage current   | $ I_{LO} $ | 5                | uA   | 6    |
| Output minimum source DC current ( $V_{DDQ}(\min)$ ; $V_{OUT} = 1.42V$ ) | $I_{OH}$   | -13.4            | mA   | 7, 8 |
| Output minimum sink DC current ( $V_{DDQ}(\min)$ ; $V_{OUT} = 0.28V$ )   | $I_{OL}$   | +13.4            | mA   | 7, 8 |

#### Note:

- The value of  $V_{REF}$  may be selected by the user to provide optimum noise margin in the system. Typically the value of  $V_{REF}$  is expected to be about  $0.5 \times V_{DDQ}$  of the transmitting device and  $V_{REF}$  is expected to track variations in  $V_{DDQ}$ .
- Peak to peak AC noise on  $V_{REF}$  may not exceed  $\pm 2\% V_{REF}(DC)$ .
- $V_{TT}$  of transmitting device must track  $V_{REF}$  of receiving device.
- $V_{DDQ}$  and  $V_{DDL}$  track  $V_{DD}$ . AC parameters are measured with  $V_{DD}$ ,  $V_{DDQ}$  and  $V_{DDL}$  tied together.
- Any input  $0V \leq V_{IN} \leq V_{DD}$ ; all other balls not under test = 0V.
- $0V \leq V_{OUT} \leq V_{DDQ}$ ; DQ and ODT disabled.
- The DC value of  $V_{REF}$  applied to the receiving device is expected to be set to  $V_{TT}$ .
- After OCD calibration to  $18\Omega$  at  $T_C = 25^\circ C$ ,  $V_{DD} = V_{DDQ} = 1.8V$
- There is no specific device  $V_{DD}$  supply voltage requirement for SSTL\_18 compliance. However, under all conditions  $V_{DDQ}$  must be less than or equal to  $V_{DD}$ .

## DC Specifications

(IDD values are for the operation range of Voltage and Temperature)

| Parameter                                     | Symbol | Test Condition  | Version                      |      |      | Unit |    |
|---|--------|---|------------------------------|------|------|------|----|
|   |        |   | -1.5                         | -1.8 | -2.5 |      |    |
| Operating Current (Active - Precharge)        | IDD0   | One bank;<br>$t_{CK} = t_{CK} (IDD)$ , $t_{RC} = t_{RC} (IDD)$ , $t_{RAS} = t_{RAS} (IDD)_{min}$ ;<br>CKE is High, $\overline{CS}$ is HIGH between valid commands;<br>Address bus inputs are SWITCHING;<br>Data bus inputs are SWITCHING  | 100                          | 80   | 75   | mA   |    |
| Operating Current (Active - Read - Precharge) | IDD1   | One bank; $I_{OUT} = 0mA$ ;<br>BL = 4, CL = CL(IDD), AL = 0;<br>$t_{CK} = t_{CK} (IDD)$ , $t_{RC} = t_{RC} (IDD)$ ,<br>$t_{RAS} = t_{RAS} (IDD)_{min}$ , $t_{RCD} = t_{RCD} (IDD)$ ;<br>CKE is HIGH, $\overline{CS}$ is HIGH between valid commands;<br>Address bus inputs are SWITCHING;<br>Data pattern is same as IDD4W      | 130                          | 100  | 95   | mA   |    |
| Precharge Power-Down Standby Current          | IDD2P  | All banks idle;<br>$t_{CK} = t_{CK} (IDD)$ ; CKE is LOW;<br>Other control and address bus inputs are STABLE;<br>Data bus inputs are FLOATING  | 15                           | 12   | 12   | mA   |    |
| Precharge Quiet Standby Current               | IDD2Q  | All banks idle;<br>$t_{CK} = t_{CK} (IDD)$ ; CKE is HIGH, $\overline{CS}$ is HIGH;<br>Other control and address bus inputs are STABLE;<br>Data bus inputs are FLOATING  | 60                           | 40   | 40   | mA   |    |
| Idle Standby Current                          | IDD2N  | All banks idle;<br>$t_{CK} = t_{CK} (IDD)$ ; CKE is HIGH, $\overline{CS}$ is HIGH;<br>Other control and address bus inputs are SWITCHING;<br>Data bus inputs are SWITCHING  | 55                           | 45   | 45   | mA   |    |
| Active Power-down Standby Current             | IDD3P  | All banks open;<br>$t_{CK} = t_{CK} (IDD)$ ; CKE is LOW;<br>Other control and address bus inputs are STABLE;<br>Data bus input are FLOATING   | Fast PDN Exit<br>MRS(12) = 0 | 45   | 35   | 35   | mA |
|   |        |   | Slow PDN Exit<br>MRS(12) = 1 | 30   | 20   | 20   |    |
| Active Standby Current                        | IDD3N  | All banks open;<br>$t_{CK} = t_{CK} (IDD)$ , $t_{RAS} = t_{RAS} (IDD)_{max}$ , $t_{RP} = t_{RP} (IDD)$ ;<br>CKE is HIGH, $\overline{CS}$ is HIGH between valid commands;<br>Other control and address bus inputs are SWITCHING;<br>Data bus inputs are SWITCHING  | 60                           | 50   | 50   | mA   |    |
| Operation Current (Read)                      | IDD4R  | All banks open, continuous burst Reads, $I_{OUT} = 0mA$ ;<br>BL = 4, CL = CL (IDD), AL = 0;<br>$t_{CK} = t_{CK} (IDD)$ , $t_{RAS} = t_{RAS} (IDD)_{max}$ , $t_{RP} = t_{RP} (IDD)$ ;<br>CKE is HIGH, $\overline{CS}$ is HIGH between valid commands;<br>Address bus inputs are SWITCHING;<br>Data pattern is the same as IDD4W; | 180                          | 160  | 140  | mA   |    |
| Operation Current (Write)                     | IDD4W  | All banks open, continuous burst Writes;<br>BL = 4, CL = CL (IDD), AL = 0;<br>$t_{CK} = t_{CK} (IDD)$ , $t_{RAS} = t_{RAS} (IDD)_{max}$ , $t_{RP} = t_{RP} (IDD)$ ;<br>CKE is HIGH, $\overline{CS}$ is HIGH between valid commands;<br>Address bus inputs are SWITCHING;<br>Data bus inputs are SWITCHING                       | 170                          | 150  | 130  | mA   |    |

| Parameter                                | Symbol | Test Condition   | Version |      |      | Unit |
|--|--------|--|---------|------|------|------|
|  |        |  | -1.5    | -1.8 | -2.5 |      |
| Auto Refresh Current                     | IDD5   | t <sub>CK</sub> = t <sub>CK</sub> (IDD);<br>Refresh command every t <sub>RFC</sub> (IDD) interval;<br>CKE is HIGH, $\overline{CS}$ is HIGH between valid commands;<br>Other control and address bus inputs are SWITCHING;<br>Data bus inputs are SWITCHING   | 120     | 100  | 100  | mA   |
| Self Refresh Current                     | IDD6   | Self Refresh Mode;<br>CLK and $\overline{CLK}$ at 0V; CKE ≤ 0.2V;<br>Other control and address bus inputs are FLOATING;<br>Data bus inputs are FLOATING  | 8       |      |      | mA   |
| Operating Current<br>(Bank interleaving) | IDD7   | All bank interleaving Reads, I <sub>OUT</sub> = 0mA;<br>BL = 4, CL = CL (IDD), AL = t <sub>RCD</sub> (IDD) – 1 × t <sub>CK</sub> (IDD);<br>t <sub>CK</sub> = t <sub>CK</sub> (IDD), t <sub>RC</sub> = t <sub>RC</sub> (IDD),<br>t <sub>RRD</sub> = t <sub>RRD</sub> (IDD), t <sub>RCD</sub> = 1 × t <sub>CK</sub> (IDD);<br>CKE is HIGH, $\overline{CS}$ is HIGH between valid commands;<br>Address bus inputs are STABLE during Deslects;<br>Data pattern is the same as IDD4W; | 230     | 210  | 200  | mA   |

**Note:**

1. IDD specifications are tested after the device is properly initialized.
2. Input slew rate is specified by AC Input Test Condition.
3. IDD parameters are specified with ODT disabled.
4. Data bus consists of DQ, DM, DQS and  $\overline{DQS}$ , IDD values must be met with all combinations of EMRS bits 10 and 11.
5. Definitions for IDD:  
 LOW is defined as V<sub>IN</sub> ≤ V<sub>IL</sub> (AC) (max.).  
 HIGH is defined as V<sub>IN</sub> ≥ V<sub>IH</sub> (AC) (min.).  
 STABLE is defined as inputs stable at a HIGH or LOW level.  
 FLOATING is defined as inputs at V<sub>REF</sub> = V<sub>DDQ</sub>/2  
 SWITCHING is defined as:  
 Address and control signal Inputs are changed between HIGH and LOW every other clock cycle (once per two clocks), and  
 DQ (not including mask or strobe) signal inputs are changed between HIGH and LOW every other data transfer (once per clock).
6. When T<sub>C</sub> ≥ +85 °C, IDD6 must be derated by 80%.  
 IDD6 will increase by this amount if T<sub>C</sub> ≥ +85 °C and double refresh option is still enabled.
7. AC Timing for IDD test conditions  
 For purposes of IDD testing, the following parameters are to be utilized.

| Parameter                   | -1.5                   | -1.8                 | -2.5                | Unit            |
|-----------------------------|------------------------|----------------------|---------------------|-----------------|
|                             | DDR2-1333<br>(7-10-10) | DDR2-1066<br>(7-7-7) | DDR2-800<br>(5-5-5) |                 |
| CL (IDD)                    | 7                      | 7                    | 5                   | t <sub>CK</sub> |
| t <sub>RCD</sub> (IDD)      | 15                     | 13.125               | 12.5                | ns              |
| t <sub>RC</sub> (IDD)       | 58.125                 | 58.125               | 57.5                | ns              |
| t <sub>RRD</sub> (IDD)      | 10                     | 10                   | 10                  | ns              |
| t <sub>CK</sub> (IDD)       | 1.5                    | 1.875                | 2.5                 | ns              |
| t <sub>RAS</sub> (IDD) min. | 45                     | 45                   | 45                  | ns              |
| t <sub>RAS</sub> (IDD) max. | 70000                  |                      |                     | ns              |
| t <sub>RP</sub> (IDD)       | 15                     | 13.125               | 12.5                | ns              |
| t <sub>RFC</sub> (IDD)      | 130                    | 105                  | 105                 | ns              |

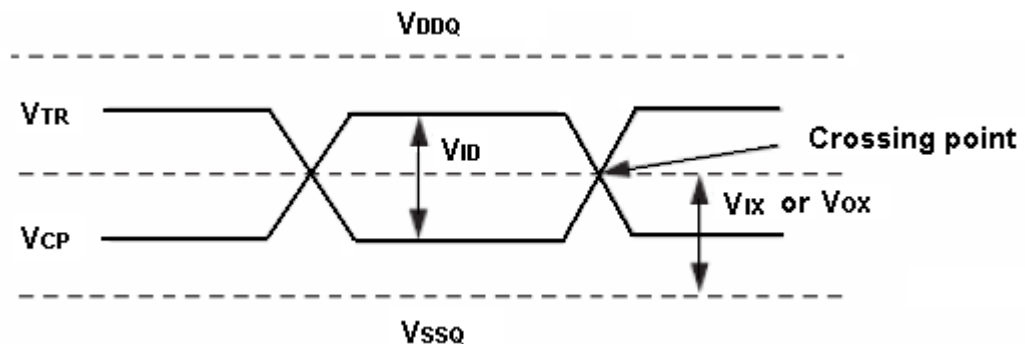
## AC Operation Conditions & Timing Specification

### AC Operation Conditions

| Parameter                     | Symbol       | -1.5/1.8                     |                              | -2.5                         |                              | Unit | Note |
|-------------------------------|--------------|------------------------------|------------------------------|------------------------------|------------------------------|------|------|
|                               |              | Min.                         | Max.                         | Min.                         | Max.                         |      |      |
| Input High (Logic 1) Voltage  | $V_{IH}(AC)$ | $V_{REF} + 0.2$              |                              | $V_{REF} + 0.2$              |                              | V    |      |
| Input Low (Logic 0) Voltage   | $V_{IL}(AC)$ |                              | $V_{REF} - 0.2$              |                              | $V_{REF} - 0.2$              | V    |      |
| Input Differential Voltage    | $V_{ID}(AC)$ | 0.5                          | $V_{DDQ} + 0.6$              | 0.5                          | $V_{DDQ} + 0.6$              | V    | 1    |
| Input Crossing Point Voltage  | $V_{IX}(AC)$ | $0.5 \times V_{DDQ} - 0.175$ | $0.5 \times V_{DDQ} + 0.175$ | $0.5 \times V_{DDQ} - 0.175$ | $0.5 \times V_{DDQ} + 0.175$ | V    | 2    |
| Output Crossing Point Voltage | $V_{OX}(AC)$ | $0.5 \times V_{DDQ} - 0.125$ | $0.5 \times V_{DDQ} + 0.125$ | $0.5 \times V_{DDQ} - 0.125$ | $0.5 \times V_{DDQ} + 0.125$ | V    | 2    |

**Note:**

- $V_{ID}(AC)$  specifies the input differential voltage  $[V_{TR} - V_{CP}]$  required for switching, where  $V_{TR}$  is the true input signal (such as CLK, DQS) and  $V_{CP}$  is the complementary input signal (such as  $\overline{CLK}$ ,  $\overline{DQS}$ ). The minimum value is equal to  $V_{IH}(AC) - V_{IL}(AC)$ .
- The typical value of  $V_{IX} / V_{OX}(AC)$  is expected to be about  $0.5 \times V_{DDQ}$  of the transmitting device and  $V_{IX} / V_{OX}(AC)$  is expected to track variations in  $V_{DDQ}$ .  $V_{IX} / V_{OX}(AC)$  indicates the voltage at which differential input / output signals must cross.



### Input / Output Capacitance

| Parameter   | Symbol    | Min. | Max. | Unit | Note |
|---|-----------|------|------|------|------|
| Input capacitance (A0~A12, BA0~BA1, $\overline{CKE}$ , $\overline{CS}$ , $\overline{RAS}$ , $\overline{CAS}$ , $\overline{WE}$ , ODT) | $C_{IN1}$ | 2    | 5    | pF   | 1    |
| Input capacitance (CLK, $\overline{CLK}$ )  | $C_{IN2}$ | 2    | 5    | pF   | 1    |
| DQS, $\overline{DQS}$ & Data input/output capacitance   | $C_{I/O}$ | 2    | 5    | pF   | 2    |
| Input capacitance (DM)  | $C_{IN3}$ | 2    | 5    | pF   | 2    |

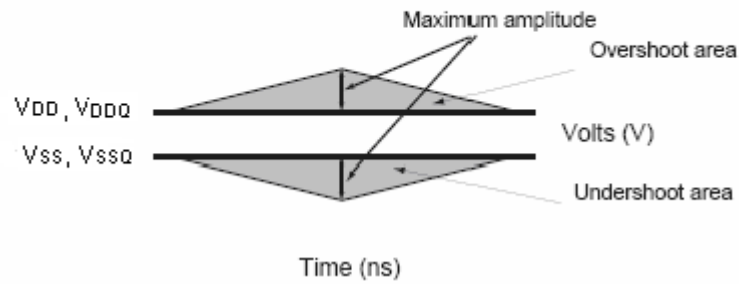
- Note:**
- Capacitance delta is 0.25 pF.
  - Capacitance delta is 0.5 pF.



**AC Overshoot / Undershoot Specification**

| Parameter                                     | Pin   | Value      |      | Unit |
|---|---|------------|------|------|
|   |   | -1.5 / 1.8 | -2.5 |      |
| Maximum peak amplitude allowed for overshoot  | Address, CKE, $\overline{\text{CS}}$ , $\overline{\text{RAS}}$ , $\overline{\text{CAS}}$ , $\overline{\text{WE}}$ , ODT, CLK, $\overline{\text{CLK}}$ , DQ, DQS, $\overline{\text{DQS}}$ , DM | 0.5        | 0.5  | V    |
| Maximum peak amplitude allowed for undershoot | Address, CKE, $\overline{\text{CS}}$ , $\overline{\text{RAS}}$ , $\overline{\text{CAS}}$ , $\overline{\text{WE}}$ , ODT, CLK, $\overline{\text{CLK}}$ , DQ, DQS, $\overline{\text{DQS}}$ , DM | 0.5        | 0.5  | V    |
| Maximum overshoot area above $V_{DD}$         | Address, CKE, $\overline{\text{CS}}$ , $\overline{\text{RAS}}$ , $\overline{\text{CAS}}$ , $\overline{\text{WE}}$ , ODT,  | 0.5        | 0.66 | V-ns |
|   | CLK, $\overline{\text{CLK}}$ , DQ, DQS, $\overline{\text{DQS}}$ , DM  | 0.19       | 0.23 | V-ns |
| Maximum undershoot area below $V_{SS}$        | Address, CKE, $\overline{\text{CS}}$ , $\overline{\text{RAS}}$ , $\overline{\text{CAS}}$ , $\overline{\text{WE}}$ , ODT,  | 0.5        | 0.66 | V-ns |
|   | CLK, $\overline{\text{CLK}}$ , DQ, DQS, $\overline{\text{DQS}}$ , DM  | 0.19       | 0.23 | V-ns |

Overshoot/Undershoot Definition

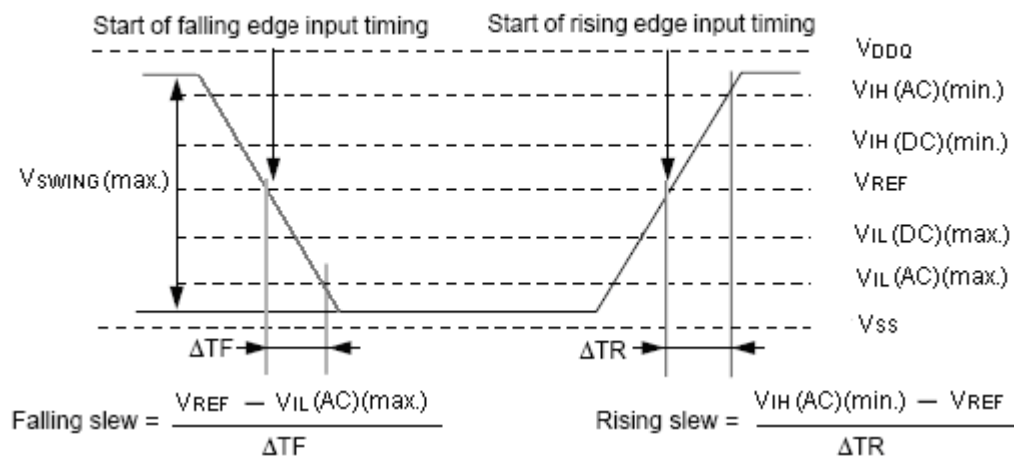


## AC Operating Test Conditions

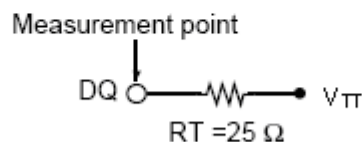
| Parameter   | Value                | Unit | Note |
|---|----------------------|------|------|
| Input reference voltage ( $V_{REF}$ )                   | $0.5 \times V_{DDQ}$ | V    | 1    |
| Input signal maximum peak swing ( $V_{SWING(max.)}$ )   | 1.0                  | V    | 1    |
| Input signal minimum slew rate                          | 1.0                  | V/ns | 2,3  |
| Input level   | $V_{IH} / V_{IL}$    | V    |      |
| Input timing measurement reference level                | $V_{REF}$            | V    |      |
| Output timing measurement reference level ( $V_{OTR}$ ) | $0.5 \times V_{DDQ}$ | V    | 4    |

### Note:

1. Input waveform timing is referenced to the input signal crossing through the  $V_{IH} / V_{IL}$  (AC) level applied to the device under test.
2. The input signal minimum slew rate is to be maintained over the range from  $V_{REF}$  to  $V_{IH}$  (AC) (min.) for rising edges and the range from  $V_{REF}$  to  $V_{IL}$  (AC)(max.) for falling edges as shown in the below figure.
3. AC timings are referenced with input waveforms switching from  $V_{IL}$  (AC) to  $V_{IH}$  (AC) on the positive transitions and  $V_{IH}$  (AC) to  $V_{IL}$  (AC) on the negative transitions.
4. The  $V_{DDQ}$  of the device under test is reference.



## AC Input Test Signal Wave forms



### Output Load

## AC Timing Parameter & Specifications

| Parameter  |      | Symbol          | -1.5                               |                | Unit           | Note |
|--|------|-----------------|------------------------------------|----------------|----------------|------|
|  |      |                 | Min.                               | Max.           |                |      |
| Clock period   | CL=7 | $t_{CK} (avg)$  | 1500                               | 3000           | ps             | 13   |
|  | CL=8 |                 | 1500                               | 3000           | ps             |      |
|  | CL=9 |                 | 1500                               | 3000           | ps             |      |
| DQ output access time from $\overline{CLK}/CLK$          |      | $t_{AC}$        | -350                               | +350           | ps             | 10   |
| CLK high-level width                                     |      | $t_{CH} (avg)$  | 0.48                               | 0.52           | $t_{CK} (avg)$ | 13   |
| CLK low-level width                                      |      | $t_{CL} (avg)$  | 0.48                               | 0.52           | $t_{CK} (avg)$ | 13   |
| DQS output access time from $\overline{CLK}/CLK$         |      | $t_{DQSCK}$     | -300                               | +300           | ps             | 10   |
| Clock to first rising edge of DQS delay                  |      | $t_{DQSS}$      | -0.25                              | +0.25          | $t_{CK} (avg)$ |      |
| Data-in and DM setup time (to DQS)                       |      | $t_{DS} (base)$ | 200                                |                | ps             | 4    |
| Data-in and DM hold time (to DQS)                        |      | $t_{DH} (base)$ | 200                                |                | ps             | 5    |
| DQ and DM input pulse width (for each input)             |      | $t_{DIPW}$      | 0.35                               |                | $t_{CK} (avg)$ |      |
| Address and Control Input setup time                     |      | $t_{IS} (base)$ | 125                                |                | ps             | 4    |
| Address and Control Input hold time                      |      | $t_{IH} (base)$ | 200                                |                | ps             | 5    |
| Control and Address input pulse width                    |      | $t_{IPW}$       | 0.6                                |                | $t_{CK} (avg)$ |      |
| DQS input high pulse width                               |      | $t_{DQSH}$      | 0.44                               |                | $t_{CK} (avg)$ |      |
| DQS input low pulse width                                |      | $t_{DQSL}$      | 0.44                               |                | $t_{CK} (avg)$ |      |
| DQS falling edge to CLK rising setup time                |      | $t_{DSS}$       | 0.2                                |                | $t_{CK} (avg)$ |      |
| DQS falling edge from CLK rising hold time               |      | $t_{DSH}$       | 0.2                                |                | $t_{CK} (avg)$ |      |
| Data strobe edge to output data edge                     |      | $t_{DQSQ}$      |                                    | 250            | ps             |      |
| Data-out high-impedance window from $\overline{CLK}/CLK$ |      | $t_{HZ}$        |                                    | $t_{AC}(max.)$ | ps             | 10   |
| Data-out low-impedance window from $\overline{CLK}/CLK$  |      | $t_{LZ} (DQS)$  | $t_{AC}(min.)$                     | $t_{AC}(max.)$ | ps             | 10   |
| DQ low-impedance window from $\overline{CLK}/CLK$        |      | $t_{LZ} (DQ)$   | $2 \times t_{AC}(min.)$            | $t_{AC}(max.)$ | ps             | 10   |
| Half clock period  |      | $t_{HP}$        | Min ( $t_{CL}(abs), t_{CH}(abs)$ ) |                | ps             | 6,13 |

**AC Timing Parameter & Specifications - Continued**

| Parameter   | Symbol             | -1.5                              |      | Unit                  | Note  |
|---|--------------------|-----------------------------------|------|-----------------------|-------|
|   |                    | Min.                              | Max. |                       |       |
| DQ/DQS output hold time from DQS                                    | t <sub>QH</sub>    | t <sub>HP</sub> -t <sub>QHS</sub> |      | ps                    |       |
| DQ hold skew factor   | t <sub>QHS</sub>   |                                   | 250  | ps                    |       |
| Active to Precharge command   | t <sub>RAS</sub>   | 45                                | 70K  | ns                    |       |
| Active to Active command (same bank)                                | t <sub>RC</sub>    | 58.125                            |      | ns                    |       |
| Auto Refresh row cycle time   | t <sub>RFC</sub>   | 130                               |      | ns                    |       |
| Active to Read, Write delay   | t <sub>RCD</sub>   | 15                                |      | ns                    |       |
| Precharge command period  | t <sub>RP</sub>    | 15                                |      | ns                    |       |
| Active bank A to Active bank B command                              | t <sub>RRD</sub>   | 10                                |      | ns                    | 20    |
| Write recovery time   | t <sub>WR</sub>    | 15                                |      | ns                    | 20    |
| Write data in to Read command delay                                 | t <sub>WTR</sub>   | 7.5                               |      | ns                    | 20    |
| Col. address to Col. address delay                                  | t <sub>CCD</sub>   | 2                                 |      | t <sub>CK</sub>       |       |
| Average periodic Refresh interval (0°C ≤ T <sub>C</sub> ≤ +85°C )   | t <sub>REFI</sub>  |                                   | 7.8  | us                    |       |
| Average periodic Refresh interval (+85°C < T <sub>C</sub> ≤ +95°C)  | t <sub>REFI</sub>  |                                   | 3.9  | us                    |       |
| Write preamble  | t <sub>WPRE</sub>  | 0.35                              |      | t <sub>CK</sub> (avg) |       |
| Write postamble   | t <sub>WPST</sub>  | 0.4                               | 0.6  | t <sub>CK</sub> (avg) |       |
| DQS Read preamble   | t <sub>RPRE</sub>  | 0.9                               | 1.1  | t <sub>CK</sub> (avg) | 11    |
| DQS Read postamble  | t <sub>RPST</sub>  | 0.4                               | 0.6  | t <sub>CK</sub> (avg) | 12    |
| Load Mode Register / Extended Mode Register cycle time              | t <sub>MRD</sub>   | 5                                 |      | t <sub>CK</sub>       |       |
| Auto Precharge write recovery + Precharge time                      | t <sub>DAL</sub>   | X                                 |      | t <sub>CK</sub>       | 1, 19 |
| Internal Read to Precharge command delay                            | t <sub>RTP</sub>   | 7.5                               |      | ns                    | 20    |
| Exit Self Refresh to Read command                                   | t <sub>XSRD</sub>  | 200                               |      | t <sub>CK</sub>       |       |
| Exit Self Refresh to non-Read command                               | t <sub>XSNR</sub>  | t <sub>RFC</sub> + 10             |      | ns                    |       |
| Exit Precharge Power-Down to any non-Read command                   | t <sub>XP</sub>    | 5                                 |      | t <sub>CK</sub>       |       |
| Exit Active Power-Down to Read command                              | t <sub>XARD</sub>  | 5                                 |      | t <sub>CK</sub>       | 3     |
| Exit active power-down to Read command (slow exit / low power mode) | t <sub>XARDS</sub> | 10 - AL                           |      | t <sub>CK</sub>       | 2,3   |
| CKE minimum pulse width (high and low pulse width)                  | t <sub>CKE</sub>   | 5                                 |      | t <sub>CK</sub>       |       |

## AC Timing Parameter & Specifications - Continued

| Parameter   | Symbol             | -1.5  |  | Unit            | Note     |
|---|--------------------|---|--|-----------------|----------|
|   |                    | Min.  | Max.   |                 |          |
| Minimum time clocks remains ON after CKE asynchronously drops low | $t_{\text{DELAY}}$ | $t_{\text{IS}} + t_{\text{CK}}(\text{avg}) + t_{\text{IH}}$ |  | ns              |          |
| Output impedance test driver delay                                | $t_{\text{OIT}}$   | 0   | 12   | ns              |          |
| MRS command to ODT update delay                                   | $t_{\text{MOD}}$   | 0   | 12   | ns              |          |
| ODT turn-on delay   | $t_{\text{AOND}}$  | 2   | 2  | $t_{\text{CK}}$ |          |
| ODT turn-on   | $t_{\text{AON}}$   | $t_{\text{AC}}(\text{min.})$                                | $t_{\text{AC}}(\text{max.}) + 2575$                            | ps              | 14,16    |
| ODT turn-on (Power-Down mode)                                     | $t_{\text{AONPD}}$ | $t_{\text{AC}}(\text{min.}) + 2000$                         | $3 \times t_{\text{CK}} + t_{\text{AC}}(\text{max.}) + 1000$   | ps              |          |
| ODT turn-off delay  | $t_{\text{AOFD}}$  | 2.5   | 2.5  | $t_{\text{CK}}$ | 15,17,18 |
| ODT turn-off  | $t_{\text{AOF}}$   | $t_{\text{AC}}(\text{min.})$                                | $t_{\text{AC}}(\text{max.}) + 600$                             | ps              |          |
| ODT turn-off (Power-Down mode)                                    | $t_{\text{AOFPD}}$ | $t_{\text{AC}}(\text{min.}) + 2000$                         | $2.5 \times t_{\text{CK}} + t_{\text{AC}}(\text{max.}) + 1000$ | ps              |          |
| ODT to Power-Down entry latency                                   | $t_{\text{ANPD}}$  | 4   |  | $t_{\text{CK}}$ |          |
| ODT Power-Down exit latency                                       | $t_{\text{AXPD}}$  | 11  |  | $t_{\text{CK}}$ |          |

**AC Timing Parameter & Specifications - Continued**

| Parameter  |      | Symbol                 | -1.8   |                        | -2.5   |                        | Unit                  | Note |
|--|------|------------------------|--|------------------------|--|------------------------|-----------------------|------|
|  |      |                        | Min.   | Max.                   | Min.   | Max.                   |                       |      |
| Clock period   | CL=7 | t <sub>CK</sub> (avg)  | 1875   | 7500                   | -  | -                      | ps                    | 13   |
|  | CL=6 |                        | X  | X                      | 2500   | 8000                   |                       |      |
|  | CL=5 |                        | X  | X                      | 2500   | 8000                   |                       |      |
|  | CL=4 |                        | X  | X                      | 3750   | 8000                   |                       |      |
|  | CL=3 |                        | X  | X                      | 5000   | 8000                   |                       |      |
| DQ output access time from CLK/ $\overline{\text{CLK}}$          |      | t <sub>AC</sub>        | -350   | +350                   | -400   | +400                   | ps                    | 10   |
| CLK high-level width   |      | t <sub>CH</sub> (avg)  | 0.48   | 0.52                   | 0.48   | 0.52                   | t <sub>CK</sub> (avg) | 13   |
| CLK low-level width  |      | t <sub>CL</sub> (avg)  | 0.48   | 0.52                   | 0.48   | 0.52                   | t <sub>CK</sub> (avg) | 13   |
| DQS output access time from CLK/ $\overline{\text{CLK}}$         |      | t <sub>DQSCK</sub>     | -300   | +300                   | -350   | +350                   | ps                    | 10   |
| Clock to first rising edge of DQS delay                          |      | t <sub>DQSS</sub>      | -0.25  | +0.25                  | -0.25  | +0.25                  | t <sub>CK</sub> (avg) |      |
| Data-in and DM setup time (to DQS)                               |      | t <sub>DS</sub> (base) | 0  |                        | 50   |                        | ps                    | 4    |
| Data-in and DM hold time (to DQS)                                |      | t <sub>DH</sub> (base) | 75   |                        | 125  |                        | ps                    | 5    |
| DQ and DM input pulse width (for each input)                     |      | t <sub>DIPW</sub>      | 0.35   |                        | 0.35   |                        | t <sub>CK</sub> (avg) |      |
| Address and Control Input setup time                             |      | t <sub>IS</sub> (base) | 125  |                        | 175  |                        | ps                    | 4    |
| Address and Control Input hold time                              |      | t <sub>IH</sub> (base) | 200  |                        | 250  |                        | ps                    | 5    |
| Control and Address input pulse width                            |      | t <sub>IPW</sub>       | 0.6  |                        | 0.6  |                        | t <sub>CK</sub> (avg) |      |
| DQS input high pulse width                                       |      | t <sub>DQSH</sub>      | 0.35   |                        | 0.35   |                        | t <sub>CK</sub> (avg) |      |
| DQS input low pulse width  |      | t <sub>DQSL</sub>      | 0.35   |                        | 0.35   |                        | t <sub>CK</sub> (avg) |      |
| DQS falling edge to CLK rising setup time                        |      | t <sub>DSS</sub>       | 0.2  |                        | 0.2  |                        | t <sub>CK</sub> (avg) |      |
| DQS falling edge from CLK rising hold time                       |      | t <sub>DSH</sub>       | 0.2  |                        | 0.2  |                        | t <sub>CK</sub> (avg) |      |
| Data strobe edge to output data edge                             |      | t <sub>DQSQ</sub>      |  | 175                    |  | 200                    | ps                    |      |
| Data-out high-impedance window from CLK/ $\overline{\text{CLK}}$ |      | t <sub>HZ</sub>        |  | t <sub>AC</sub> (max.) |  | t <sub>AC</sub> (max.) | ps                    | 10   |
| Data-out low-impedance window from CLK/ $\overline{\text{CLK}}$  |      | t <sub>LZ</sub> (DQS)  | t <sub>AC</sub> (min.)                             | t <sub>AC</sub> (max.) | t <sub>AC</sub> (min.)                             | t <sub>AC</sub> (max.) | ps                    | 10   |
| DQ low-impedance window from CLK/ $\overline{\text{CLK}}$        |      | t <sub>LZ</sub> (DQ)   | 2 x t <sub>AC</sub> (min.)                         | t <sub>AC</sub> (max.) | 2 x t <sub>AC</sub> (min.)                         | t <sub>AC</sub> (max.) | ps                    | 10   |
| Half clock period  |      | t <sub>HP</sub>        | Min (t <sub>CL</sub> (abs), t <sub>CH</sub> (abs)) |                        | Min (t <sub>CL</sub> (abs), t <sub>CH</sub> (abs)) |                        | ps                    | 6,13 |

## AC Timing Parameter & Specifications - Continued

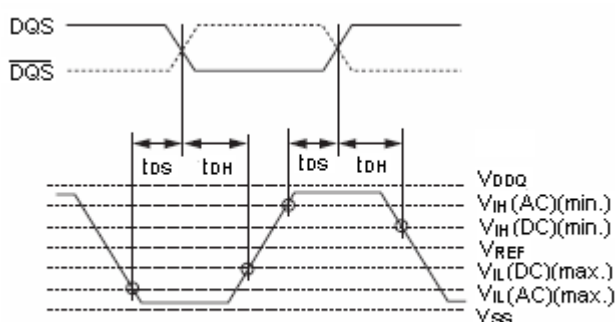
| Parameter   | Symbol             | -1.8                              |      | -2.5                              |      | Unit                  | Note |
|---|--------------------|-----------------------------------|------|-----------------------------------|------|-----------------------|------|
|   |                    | Min.                              | Max. | Min.                              | Max. |                       |      |
| DQ/DQS output hold time from DQS                                    | t <sub>QH</sub>    | t <sub>HP</sub> -t <sub>QHS</sub> |      | t <sub>HP</sub> -t <sub>QHS</sub> |      | ps                    |      |
| DQ hold skew factor   | t <sub>QHS</sub>   |                                   | 250  |                                   | 300  | ps                    |      |
| Active to Precharge command   | t <sub>RAS</sub>   | 45                                | 70K  | 45                                | 70K  | ns                    |      |
| Active to Active command (same bank)                                | t <sub>RC</sub>    | 58.125                            |      | 57.5                              |      | ns                    |      |
| Auto Refresh row cycle time   | t <sub>RFC</sub>   | 105                               |      | 105                               |      | ns                    |      |
| Active to Read, Write delay   | t <sub>RCD</sub>   | 13.125                            |      | 12.5                              |      | ns                    |      |
| Precharge command period  | t <sub>RP</sub>    | 13.125                            |      | 12.5                              |      | ns                    |      |
| Active bank A to Active bank B command                              | t <sub>RRD</sub>   | 10                                |      | 10                                |      | ns                    | 20   |
| Write recovery time   | t <sub>WR</sub>    | 15                                |      | 15                                |      | ns                    | 20   |
| Write data in to Read command delay                                 | t <sub>WTR</sub>   | 7.5                               |      | 7.5                               |      | ns                    | 20   |
| Col. address to Col. address delay                                  | t <sub>CCD</sub>   | 2                                 |      | 2                                 |      | t <sub>CK</sub>       |      |
| Average periodic Refresh interval (0°C ≤ T <sub>C</sub> ≤ +85°C)    | t <sub>REFI</sub>  |                                   | 7.8  |                                   | 7.8  | us                    |      |
| Average periodic Refresh interval (+85°C < T <sub>C</sub> ≤ +95°C)  | t <sub>REFI</sub>  |                                   | 3.9  |                                   | 3.9  | us                    |      |
| Write preamble  | t <sub>WPRE</sub>  | 0.35                              |      | 0.35                              |      | t <sub>CK</sub> (avg) |      |
| Write postamble   | t <sub>WPST</sub>  | 0.4                               | 0.6  | 0.4                               | 0.6  | t <sub>CK</sub> (avg) |      |
| DQS Read preamble   | t <sub>RPRE</sub>  | 0.9                               | 1.1  | 0.9                               | 1.1  | t <sub>CK</sub> (avg) | 11   |
| DQS Read postamble  | t <sub>RPST</sub>  | 0.4                               | 0.6  | 0.4                               | 0.6  | t <sub>CK</sub> (avg) | 12   |
| Load Mode Register / Extended Mode Register cycle time              | t <sub>MRD</sub>   | 2                                 |      | 2                                 |      | t <sub>CK</sub>       |      |
| Auto Precharge write recovery + Precharge time                      | t <sub>DAL</sub>   | WR+t <sub>nRP</sub>               |      | WR+t <sub>nRP</sub>               |      | t <sub>CK</sub>       | 1    |
| Internal Read to Precharge command delay                            | t <sub>RTP</sub>   | 7.5                               |      | 7.5                               |      | ns                    | 20   |
| Exit Self Refresh to Read command                                   | t <sub>XSRD</sub>  | 200                               |      | 200                               |      | t <sub>CK</sub>       |      |
| Exit Self Refresh to non-Read command                               | t <sub>XSNR</sub>  | t <sub>RFC</sub> + 10             |      | t <sub>RFC</sub> + 10             |      | ns                    |      |
| Exit Precharge Power-Down to any non-Read command                   | t <sub>XP</sub>    | 3                                 |      | 2                                 |      | t <sub>CK</sub>       |      |
| Exit Active Power-Down to Read command                              | t <sub>XARD</sub>  | 3                                 |      | 2                                 |      | t <sub>CK</sub>       | 3    |
| Exit active power-down to Read command (slow exit / low power mode) | t <sub>XARDS</sub> | 10 - AL                           |      | 8 - AL                            |      | t <sub>CK</sub>       | 2,3  |
| CKE minimum pulse width (high and low pulse width)                  | t <sub>CKE</sub>   | 3                                 |      | 3                                 |      | t <sub>CK</sub>       |      |

**AC Timing Parameter & Specifications - Continued**

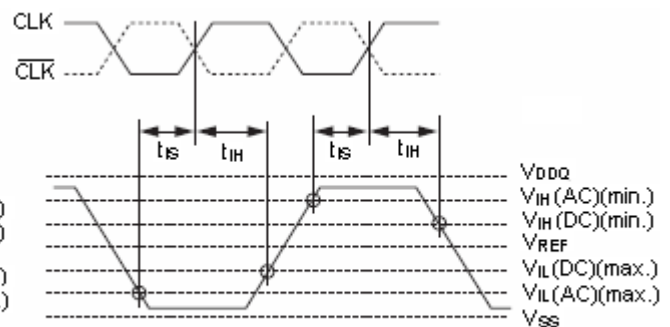
| Parameter   | Symbol      | -1.8                             |   | -2.5                             |   | Unit            | Note      |
|---|-------------|----------------------------------|---|----------------------------------|---|-----------------|-----------|
|   |             | Min.                             | Max.                                      | Min.                             | Max.                                      |                 |           |
| Minimum time clocks remains ON after CKE asynchronously drops low | $t_{DELAY}$ | $t_{IS} + t_{CK} (avg) + t_{IH}$ |   | $t_{IS} + t_{CK} (avg) + t_{IH}$ |   | ns              |           |
| Output impedance test driver delay                                | $t_{OIT}$   | 0                                | 12  | 0                                | 12  | ns              |           |
| MRS command to ODT update delay                                   | $t_{MOD}$   | 0                                | 12  | 0                                | 12  | ns              |           |
| ODT turn-on delay   | $t_{AOND}$  | 2                                | 2   | 2                                | 2   | t <sub>CK</sub> |           |
| ODT turn-on   | $t_{AON}$   | $t_{AC}(min.)$                   | $t_{AC}(max.) + 2575$                     | $t_{AC}(min.)$                   | $t_{AC}(max.) + 700$                      | ps              | 14,16     |
| ODT turn-on (Power-Down mode)                                     | $t_{AONPD}$ | $t_{AC}(min.) + 2000$            | $3 \times t_{CK} + t_{AC}(max.) + 1000$   | $t_{AC}(min.) + 2000$            | $2 \times t_{CK} + t_{AC}(max.) + 1000$   | ps              |           |
| ODT turn-off delay  | $t_{AOFD}$  | 2.5                              | 2.5                                       | 2.5                              | 2.5                                       | t <sub>CK</sub> | 15,17, 18 |
| ODT turn-off  | $t_{AOF}$   | $t_{AC}(min.)$                   | $t_{AC}(max.) + 600$                      | $t_{AC}(min.)$                   | $t_{AC}(max.) + 600$                      | ps              |           |
| ODT turn-off (Power-Down mode)                                    | $t_{AOFPD}$ | $t_{AC}(min.) + 2000$            | $2.5 \times t_{CK} + t_{AC}(max.) + 1000$ | $t_{AC}(min.) + 2000$            | $2.5 \times t_{CK} + t_{AC}(max.) + 1000$ | ps              |           |
| ODT to Power-Down entry latency                                   | $t_{ANPD}$  | 4                                |   | 3                                |   | t <sub>CK</sub> |           |
| ODT Power-Down exit latency                                       | $t_{AXPD}$  | 11                               |   | 8                                |   | t <sub>CK</sub> |           |

**Note:**

- $t_{DAL}[nCLK] = WR[nCLK] + t_{nRP} [nCLK] = WR + RU\{t_{RP}[ps]/t_{CK}(avg)[ps]\}$ , where WR is the value programmed in the mode register set and RU status for round up.
- AL: Additive Latency.
- MRS A12 bit defines which Active Power-Down Exit timing to be applied.
- The figures of Input Waveform Timing 1 and 2 are referenced from the input signal crossing at the  $V_{IH}$  (AC) level for a rising signal and  $V_{IL}$  (AC) for a falling signal applied to the device under test.
- The figures of Input Waveform Timing 1 and 2 are referenced from the input signal crossing at the  $V_{IL}$  (DC) level for a rising signal and  $V_{IH}$  (DC) for a falling signal applied to the device under test.



**Input Waveform Timing 1 ( $t_{DS}, t_{DH}$ )**



**Input Waveform Timing 2 ( $t_{IS}, t_{IH}$ )**

- $t_{HP}$  is the minimum of the absolute half period of the actual input clock.  $t_{HP}$  is an input parameter but not an input specification parameter. It is used in conjunction with  $t_{QHS}$  to derive the DRAM output timing  $t_{QH}$ . The value to be used for  $t_{QH}$  calculation is determined by the following equation;  $t_{HP} = \text{Min} ( t_{CH} (abs), t_{CL} (abs) )$ , where:  
 $t_{CH} (abs)$  is the minimum of the actual instantaneous clock HIGH time;  
 $t_{CL} (abs)$  is the minimum of the actual instantaneous clock LOW time;



7.  $t_{QHS}$  accounts for:
  - a. The pulse duration distortion of on-chip clock circuits, which represents how well the actual  $t_{HP}$  at the input is transferred to the output; and
  - b. The worst case push-out of DQS on one transition followed by the worst case pull-in of DQ on the next transition, both of which are independent of each other, due to data pin skew, output pattern effects, and p-channel to n-channel variation of the output drivers.
8.  $t_{QH} = t_{HP} - t_{QHS}$ , where:  
 $t_{HP}$  is the minimum of the absolute half period of the actual input clock; and  $t_{QHS}$  is the specification value under the max column. {The less half-pulse width distortion present, the larger the  $t_{QH}$  value is; and the larger the valid data eye will be.}  
 Examples:
  - a. If the system provides  $t_{HP}$  of 825 ps into a DDR2-1066 SDRAM, the DRAM provides  $t_{QH}$  of 575 ps minimum.
  - b. If the system provides  $t_{HP}$  of 900 ps into a DDR2-1066 SDRAM, the DRAM provides  $t_{QH}$  of 650 ps minimum.
9. RU stands for round up. WR refers to the  $t_{WR}$  parameter stored in the MRS.
10. When the device is operated with input clock jitter, this parameter needs to be de-rated by the actual  $t_{ERR}$  (6-10per) of the input clock. (output de-ratings are relative to the SDRAM input clock.)  
 For example, if the measured jitter into a DDR2- 1066 SDRAM has  $t_{ERR}$  (6-10per)(min.) = - 202 ps and  $t_{ERR}$  (6-10per)(max.) = + 223 ps, then  $t_{DQSK}$  (min.)(derated) =  $t_{DQSK}$  (min.) -  $t_{ERR}$  (6-10per)(max.) = -300 ps - 223 ps = -523 ps and  $t_{DQSK}$  (max.)(derated) =  $t_{DQSK}$  (max.) -  $t_{ERR}$  (6-10per)(min.) = 300 ps + 202 ps = +502 ps. Similarly,  $t_{LZ}$  (DQ) for DDR2-1066 de-rates to  $t_{LZ}$  (DQ)(min.)(derated) = -700 ps - 223 ps = -923 ps and  $t_{LZ}$  (DQ)(max.)(derated) = 350 ps + 202 ps = +552 ps.
11. When the device is operated with input clock jitter, this parameter needs to be de-rated by the actual  $t_{JIT}$  (per) of the input clock. (output de-ratings are relative to the SDRAM input clock.)  
 For example, if the measured jitter into a DDR2-1066 SDRAM has  $t_{JIT}$  (per)(min.) = - 72 ps and  $t_{JIT}$  (per)(max.) = + 63 ps, then  $t_{RPRE}$  (min.)(derated) =  $t_{RPRE}$  (min.) +  $t_{JIT}$  (per)(min.) =  $0.9 \times t_{CK}$  (avg) - 72 ps = + 1615.5 ps and  $t_{RPRE}$  (max.)(derated) =  $t_{RPRE}$  (max.) +  $t_{JIT}$  (per)(max.) =  $1.1 \times t_{CK}$  (avg) + 63 ps = + 2125.5 ps.
12. When the device is operated with input clock jitter, this parameter needs to be de-rated by the actual  $t_{JIT}$  (duty) of the input clock. (output de-ratings are relative to the SDRAM input clock.)  
 For example, if the measured jitter into a DDR2-1066 SDRAM has  $t_{JIT}$  (duty)(min.) = - 72 ps and  $t_{JIT}$  (duty)(max.) = + 63 ps, then  $t_{RPST}$  (min.)(derated) =  $t_{RPST}$  (min.) +  $t_{JIT}$  (duty)(min.) =  $0.4 \times t_{CK}$  (avg) - 72 ps = + 678 ps and  $t_{RPST}$  (max.)(derated) =  $t_{RPST}$  (max.) +  $t_{JIT}$  (duty)(max.) =  $0.6 \times t_{CK}$  (avg) + 63 ps = + 1188 ps.
13. Refer to the Clock Jitter table.
14. ODT turn on time min is when the device leaves high impedance and ODT resistance begins to turn on.  
 ODT turn on time max is when the ODT resistance is fully on. Both are measured from  $t_{AOND}$ .
15. ODT turn off time min is when the device starts to turn off ODT resistance.  
 ODT turn off time max is when the bus is in high impedance. Both are measured from  $t_{AOFD}$ .
16. When the device is operated with input clock jitter, this parameter needs to be de-rated by the actual  $t_{ERR}$  (6-10per) of the input clock. (output de-ratings are relative to the SDRAM input clock.)
17. When the device is operated with input clock jitter, this parameter needs to be derated by { -  $t_{JIT}$  (duty)(max.) -  $t_{ERR}$  (6-10per)(max.) } and { -  $t_{JIT}$  (duty)(min.) -  $t_{ERR}$  (6-10per)(min.) } of the actual input clock. (output deratings are relative to the SDRAM input clock.)  
 For example, if the measured jitter into a DDR2- 1066 SDRAM has  $t_{ERR}$  (6-10per)(min.) = - 202 ps,  $t_{ERR}$  (6- 10per)(max.) = + 223 ps,  $t_{JIT}$  (duty)(min.) = - 66 ps and  $t_{JIT}$  (duty)(max.) = + 74 ps, then  $t_{AOF}$ (min.)(derated) =  $t_{AOF}$ (min.) + { -  $t_{JIT}$  (duty)(max.) -  $t_{ERR}$  (6-10per)(max.) } = - 350 ps + { - 74 ps - 223 ps } = - 647 ps and  $t_{AOF}$ (max.)(derated) =  $t_{AOF}$ (max.) + { -  $t_{JIT}$  (duty)(min.) -  $t_{ERR}$  (6-10per)(min.) } = 950 ps + { 66 ps + 202 ps } = + 1218 ps.
18. For  $t_{AOFD}$  of DDR2-800/1066, the 1/2 clock of  $t_{CK}$  in the  $2.5 \times t_{CK}$  assumes a  $t_{CH}$  (avg), average input clock HIGH pulse width of 0.5 relative to  $t_{CK}$  (avg).  $t_{AOF}$  (min.) and  $t_{AOF}$  (max.) should each be derated by the same amount as the actual amount of  $t_{CH}$  (avg) offset present at the DRAM input with respect to 0.5.  
 For example, if an input clock has a worst case  $t_{CH}$  (avg) of 0.48, the  $t_{AOF}$  (min.) should be derated by subtracting  $0.02 \times t_{CK}$  (avg) from it, whereas if an input clock has a worst case  $t_{CH}$  (avg) of 0.52, the  $t_{AOF}$  (max.) should be derated by adding  $0.02 \times t_{CK}$  (avg) to it. Therefore, we have;  
 $t_{AOF}$  (min.)(derated) =  $t_{AC}$  (min.) - [0.5 - Min(0.5,  $t_{CH}$  (avg)(min.))]  $\times t_{CK}$  (avg)  
 $t_{AOF}$  (max.)(derated) =  $t_{AC}$  (max.) + 0.6 + [Max(0.5,  $t_{CH}$  (avg)(max.)) - 0.5]  $\times t_{CK}$  (avg) or  
 $t_{AOF}$  (min.)(derated) = Min( $t_{AC}$  (min.),  $t_{AC}$  (min.) - [0.5 -  $t_{CH}$  (avg)(min.)]  $\times t_{CK}$  (avg))  
 $t_{AOF}$  (max.)(derated) = 0.6 + Max( $t_{AC}$  (max.),  $t_{AC}$  (max.) + [ $t_{CH}$  (avg)(max.) - 0.5]  $\times t_{CK}$  (avg)), where:  
 $t_{CH}$  (avg)(min.) and  $t_{CH}$  (avg)(max.) are the minimum and maximum of  $t_{CH}$  (avg) actually measured at the DRAM input balls.
19. If  $t_{CK} < 1.875ns$ , the device can not support Write with Auto Precharge function.
20. This parameter has a two clock minimum requirement at any  $t_{CK}$ .

## ODT DC Electrical Characteristics

| Parameter   | Symbol    | Min. | Typ. | Max. | Unit |
|---|-----------|------|------|------|------|
| Rtt effective impedance value for 75Ω setting<br>EMRS(1) [A6, A2] = 0, 1  | Rtt1(eff) | 60   | 75   | 90   | Ω    |
| Rtt effective impedance value for 150Ω setting<br>EMRS(1) [A6, A2] = 1, 0 | Rtt2(eff) | 120  | 150  | 180  | Ω    |
| Rtt effective impedance value for 50Ω setting<br>EMRS(1) [A6, A2] = 1, 1  | Rtt3(eff) | 40   | 50   | 60   | Ω    |
| Deviation of VM with respect to VDDQ /2                                   | ΔVM       | -6   | -    | +6   | %    |

### Note:

Measurement Definition for Rtt(eff) :

Rtt(eff) is determined by separately applying VIH(AC) and VIL(AC) to test pin, and then measuring current I(VIH(AC)) and I(VIL(AC)) respectively.

$$R_{tt}(\text{eff}) = \frac{V_{IH}(\text{AC}) - V_{IL}(\text{AC})}{I(V_{IH}(\text{AC})) - I(V_{IL}(\text{AC}))}$$

Measurement Definition for ΔVM :

Measure voltage (VM) at test pin with no load.

$$\Delta VM = \left( \frac{2 \times VM}{V_{DDQ}} - 1 \right) \times 100\%$$

## OCD Default Characteristics

| Parameter                      | Min. | Typ. | Max. | Unit | Note  |
|--------------------------------|------|------|------|------|-------|
| Output impedance               | 12.6 | 18   | 23.4 | Ω    | 1     |
| Pull-up and pull-down mismatch | 0    | -    | 4    | Ω    | 1,2,3 |
| Output slew rate               | 1.5  | -    | 5    | V/ns | 1,4,5 |

### Note:

1. Absolute specifications: the operation range of Voltage and Temperature.
2. Impedance measurement condition for output source DC current: VDDQ = 1.7V; VOUT = 1,420mV; (VOUT - VDDQ)/IOH must be less than 23.4Ω for values of VOUT between VDDQ and VDDQ - 280mV. Impedance measurement condition for output sink DC current: VDDQ = 1.7V; VOUT = 280mV; VOUT/IOL must be less than 23.4Ω for values of VOUT between 0V and 280mV.
3. Mismatch is absolute value between pull-up and pull-down; both are measured at same temperature and voltage.
4. Slew rate measured from VIL (AC) to VIH (AC).
5. The absolute value of the slew rate as measured from DC to DC is equal to or greater than the slew rate as measured from AC to AC.

**Clock Jitter [ DDR2- 1333, 1066, 800 ]**

| Parameter  | Symbol                      | -1.5 |      | -1.8 |      | -2.5 |      | Unit                  | Note |
|--|-----------------------------|------|------|------|------|------|------|-----------------------|------|
|  |                             | Min. | Max. | Min. | Max. | Min. | Max. |                       |      |
| Average clock period   | t <sub>CK</sub> (avg)       | 1500 | 3000 | 1875 | 7500 | 2500 | 8000 | ps                    | 1    |
| Clock period jitter  | t <sub>JIT</sub> (per)      | -50  | 50   | -90  | 90   | -100 | 100  | ps                    | 5    |
| Clock period jitter during DLL locking period                | t <sub>JIT</sub> (per,lck)  | -40  | 40   | -80  | 80   | -80  | 80   | ps                    | 5    |
| Cycle to cycle period jitter                                 | t <sub>JIT</sub> (cc)       | -130 | 130  | -180 | 180  | -200 | 200  | ps                    | 6    |
| Cycle to cycle clock period jitter During DLL locking period | t <sub>JIT</sub> (cc, lck)  | -120 | 120  | -160 | 160  | -160 | 160  | ps                    | 6    |
| Cumulative error across 2 cycles                             | t <sub>ERR</sub> (2per)     | -100 | 100  | -132 | 132  | -150 | 150  | ps                    | 7    |
| Cumulative error across 3 cycles                             | t <sub>ERR</sub> (3per)     | -100 | 100  | -157 | 157  | -175 | 175  | ps                    | 7    |
| Cumulative error across 4 cycles                             | t <sub>ERR</sub> (4per)     | -100 | 100  | -175 | 175  | -200 | 200  | ps                    | 7    |
| Cumulative error across 5 cycles                             | t <sub>ERR</sub> (5per)     | -100 | 100  | -188 | 188  | -200 | 200  | ps                    | 7    |
| Cumulative error across n=6,7,8,9,10 cycles                  | t <sub>ERR</sub> (6-10per)  | -150 | 150  | -250 | 250  | -300 | 300  | ps                    | 7    |
| Cumulative error across n=11,12,...49,50 cycles              | t <sub>ERR</sub> (11-50per) | -150 | 150  | -425 | 425  | -450 | 450  | ps                    | 7    |
| Average high pulse width                                     | t <sub>CH</sub> (avg)       | 0.48 | 0.52 | 0.48 | 0.52 | 0.48 | 0.52 | t <sub>CK</sub> (avg) | 2    |
| Average low pulse width                                      | t <sub>CL</sub> (avg)       | 0.48 | 0.52 | 0.48 | 0.52 | 0.48 | 0.52 | t <sub>CK</sub> (avg) | 3    |
| Duty cycle jitter  | t <sub>JIT</sub> (duty)     | -45  | 45   | -75  | 75   | -100 | 100  | ps                    | 4    |

**Note:**

- t<sub>CK</sub> (avg) is calculated as the average clock period across any consecutive 200 cycle window.

$$t_{CK} (avg) = \left\{ \sum_{j=1}^N t_{CKj} \right\} / N$$

**N = 200**

- t<sub>CH</sub> (avg) is defined as the average HIGH pulse width, as calculated across any consecutive 200 HIGH pulses.

$$t_{CH} (avg) = \left\{ \sum_{j=1}^N t_{CHj} \right\} / (N \times t_{CK} (avg))$$

**N = 200**

- t<sub>CL</sub> (avg) is defined as the average LOW pulse width, as calculated across any consecutive 200 LOW pulses.

$$t_{CL} (avg) = \left\{ \sum_{j=1}^N t_{CLj} \right\} / (N \times t_{CK} (avg))$$

**N = 200**

- t<sub>JIT</sub> (duty) is defined as the cumulative set of t<sub>CH</sub> jitter and t<sub>CL</sub> jitter. t<sub>CH</sub> jitter is the largest deviation of any single t<sub>CH</sub> from t<sub>CH</sub> (avg). t<sub>CL</sub> jitter is the largest deviation of any single t<sub>CL</sub> from t<sub>CL</sub> (avg).

t<sub>JIT</sub> (duty) is not subject to production test.

t<sub>JIT</sub> (duty) = Min./Max. of { t<sub>JIT</sub> (CH), t<sub>JIT</sub> (CL)}, where:

t<sub>JIT</sub> (CH) = { t<sub>CHj</sub> - t<sub>CH</sub> (avg) where j =1 to 200}

t<sub>JIT</sub> (CL) = {t<sub>CLj</sub> - t<sub>CL</sub> (avg) where j =1 to 200}

- $t_{JIT} (per)$  is defined as the largest deviation of any single  $t_{CK}$  from  $t_{CK} (avg)$ .  
 $t_{JIT} (per) = \text{Min./Max. of } \{ t_{CK j} - t_{CK} (avg) \text{ where } j = 1 \text{ to } 200\}$   
 $t_{JIT} (per)$  defines the single period jitter when the DLL is already locked.  
 $t_{JIT} (per, lck)$  uses the same definition for single period jitter, during the DLL locking period only.  
 $t_{JIT} (per)$  and  $t_{JIT} (per, lck)$  are not subject to production testing.
- $t_{JIT} (cc)$  is defined as the difference in clock period between two consecutive clock cycles :  $t_{JIT} (cc) = \text{Max. of } | t_{CK i+1} - t_{CK i} |$   
 $t_{JIT} (cc)$  defines the cycle to cycle jitter when the DLL is already locked.  
 $t_{JIT} (cc, lck)$  uses the same definition for cycle to cycle jitter, during the DLL locking period only.  
 $t_{JIT} (cc)$  and  $t_{JIT} (cc, lck)$  are not subject to production testing.
- $t_{ERR} (nper)$  is defined as the cumulative error across multiple consecutive cycles from  $t_{CK} (avg)$ .  
 $t_{ERR} (nper)$  is not subject to production testing.

$$t_{ERR} (nper) = \left\{ \sum_{j=1}^N t_{CK_j} \right\} - n \times t_{CK} (avg)$$

$$2 \leq n \leq 50 \text{ for } t_{ERR} (nper)$$

- These parameters are specified per their average values, however it is understood that the following relationship between the average timing and the absolute instantaneous timing holds at all times. (Min. and max. of SPEC values are to be used for calculations in the table below.)

| Parameter                       | Symbol         | Min.  | Max.  | Unit |
|---------------------------------|----------------|---|---|------|
| Absolute clock period           | $t_{CK} (abs)$ | $t_{CK} (avg)(min.) + t_{JIT} (per)(min.)$                            | $t_{CK} (avg)(max.) + t_{JIT} (per)(max.)$                            | ps   |
| Absolute clock high pulse width | $t_{CH} (abs)$ | $t_{CH} (avg)(min.) \times t_{CK} (avg)(min.) + t_{JIT} (duty)(min.)$ | $t_{CH} (avg)(max.) \times t_{CK} (avg)(max.) + t_{JIT} (duty)(max.)$ | ps   |
| Absolute clock low pulse width  | $t_{CL} (abs)$ | $t_{CL} (avg)(min.) \times t_{CK} (avg)(min.) + t_{JIT} (duty)(min.)$ | $t_{CL} (avg)(max.) \times t_{CK} (avg)(max.) + t_{JIT} (duty)(max.)$ | ps   |

Example: For DDR2-1066,  $t_{CH} (abs)(min.) = (0.48 \times 1875ps) - 75 ps = 825 ps$

## Input Slew Rate De-rating

For all input signals the total  $t_{IS}$ ,  $t_{DS}$  (setup time) and  $t_{IH}$ ,  $t_{DH}$  (hold time) required is calculated by adding the data sheet  $t_{IS}$  (base),  $t_{DS}$  (base) and  $t_{IH}$  (base),  $t_{DH}$  (base) value to the  $\Delta t_{IS}$ ,  $\Delta t_{DS}$  and  $\Delta t_{IH}$ ,  $\Delta t_{DH}$  de-rating value respectively.

Example:  $t_{DS} (total \text{ setup time}) = t_{DS} (base) + \Delta t_{DS}$ .

Setup ( $t_{IS}$ ,  $t_{DS}$ ) nominal slew rate for a rising signal is defined as the slew rate between the last crossing of  $V_{REF} (DC)$  and the first crossing of  $V_{IH} (AC)(min.)$ . Setup ( $t_{IS}$ ,  $t_{DS}$ ) nominal slew rate for a falling signal is defined as the slew rate between the last crossing of  $V_{REF} (DC)$  and the first crossing of  $V_{IL} (AC)(max.)$ . If the actual signal is always earlier than the nominal slew rate line between shaded ' $V_{REF} (DC)$  to AC region', use nominal slew rate for de-rating value (See the figure of Slew Rate Definition Nominal).

If the actual signal is later than the nominal slew rate line anywhere between shaded ' $V_{REF} (DC)$  to AC region', the slew rate of a tangent line to the actual signal from the AC level to DC level is used for de-rating value (see the figure of Slew Rate Definition Tangent).

Hold ( $t_{IH}$ ,  $t_{DH}$ ) nominal slew rate for a rising signal is defined as the slew rate between the last crossing of  $V_{IL} (DC)(max.)$  and the first crossing of  $V_{REF} (DC)$ . Hold ( $t_{IH}$ ,  $t_{DH}$ ) nominal slew rate for a falling signal is defined as the slew rate between the last crossing of  $V_{IH} (DC)(min.)$  and the first crossing of  $V_{REF} (DC)$ . If the actual signal is always later than the nominal slew rate line between shaded ' $DC$  level to  $V_{REF} (DC)$  region', use nominal slew rate for de-rating value (See the figure of Slew Rate Definition Nominal).

If the actual signal is earlier than the nominal slew rate line anywhere between shaded ' $DC$  to  $V_{REF} (DC)$  region', the slew rate of a tangent line to the actual signal from the DC level to  $V_{REF} (DC)$  level is used for de-rating value (see the figure of Slew Rate Definition Tangent).

Although for slow slew rates the total setup time might be negative (i.e. a valid input signal will not have reached  $V_{IH} / V_{IL} (AC)$  at the time of the rising clock transition) a valid input signal is still required to complete the transition and reach  $V_{IH} / V_{IL} (AC)$ .

For slew rates in between the values listed in the tables below, the de-rating values may be obtained by linear interpolation. These values are typically not subject to production test. They are verified by design and characterization.

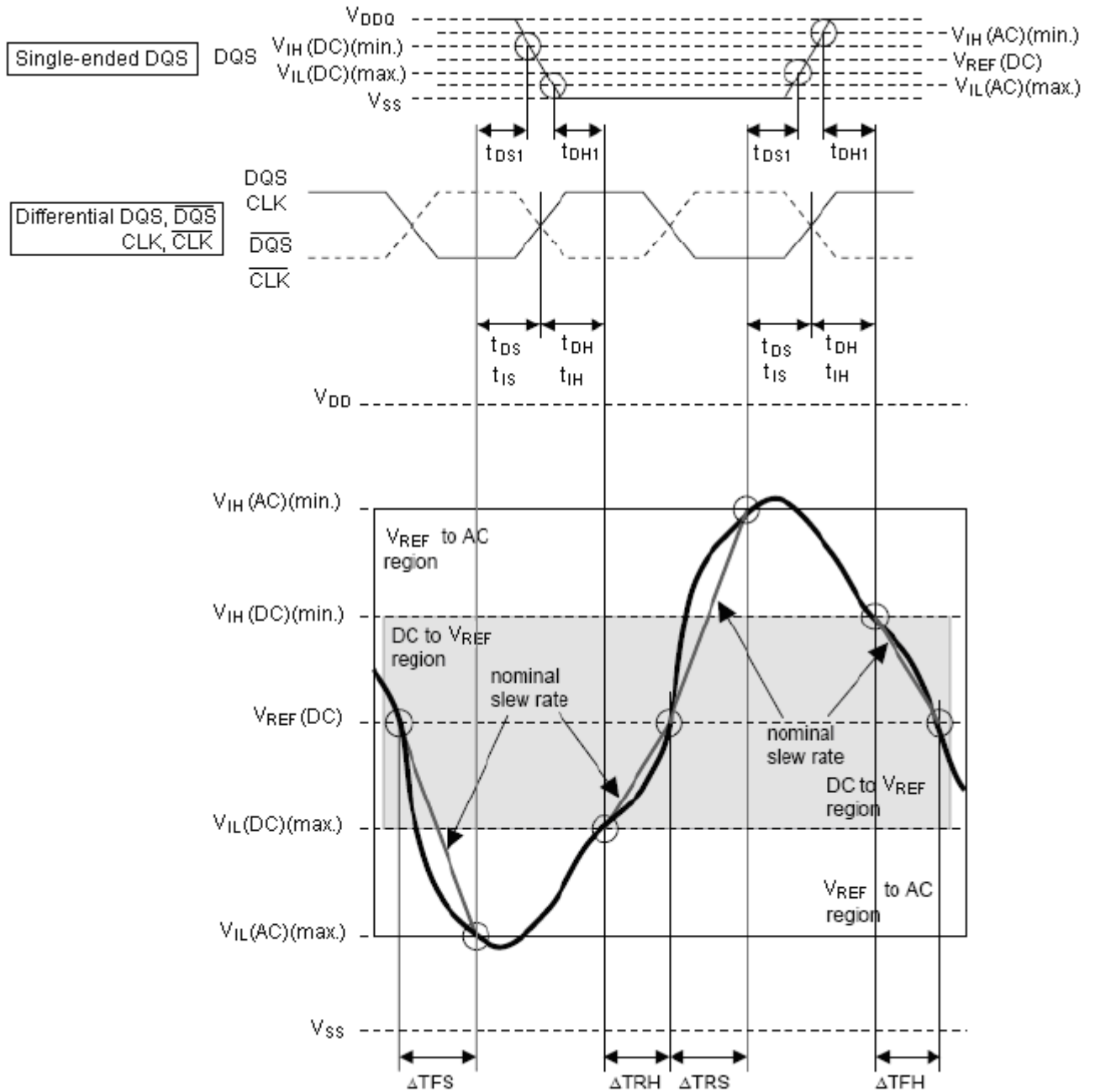
**De-rating Value of t<sub>DS</sub>/t<sub>DH</sub> with Differential DQS(DDR2-800, 1066, 1333)**

|                     |     | DQS, $\overline{\text{DQS}}$ differential slew rate |                 |                 |                 |                 |                 |                 |                 |                 |                 |                 |                 |                 |                 |                 |                 |                 |                 | Unit |
|---------------------|-----|---|-----------------|-----------------|-----------------|-----------------|-----------------|-----------------|-----------------|-----------------|-----------------|-----------------|-----------------|-----------------|-----------------|-----------------|-----------------|-----------------|-----------------|------|
|                     |     | 4.0 V/ns  |                 | 3.0 V/ns        |                 | 2.0 V/ns        |                 | 1.8 V/ns        |                 | 1.6 V/ns        |                 | 1.4 V/ns        |                 | 1.2 V/ns        |                 | 1.0 V/ns        |                 | 0.8 V/ns        |                 |      |
|                     |     | $\Delta t_{DS}$                                     | $\Delta t_{DH}$ | $\Delta t_{DS}$ | $\Delta t_{DH}$ | $\Delta t_{DS}$ | $\Delta t_{DH}$ | $\Delta t_{DS}$ | $\Delta t_{DH}$ | $\Delta t_{DS}$ | $\Delta t_{DH}$ | $\Delta t_{DS}$ | $\Delta t_{DH}$ | $\Delta t_{DS}$ | $\Delta t_{DH}$ | $\Delta t_{DS}$ | $\Delta t_{DH}$ | $\Delta t_{DS}$ | $\Delta t_{DH}$ |      |
| DQ slew rate (V/ns) | 2.0 | +100  | +45             | +100            | +45             | +100            | +45             | -               | -               | -               | -               | -               | -               | -               | -               | -               | -               | -               | -               | ps   |
|                     | 1.5 | +67   | +21             | +67             | +21             | +67             | +21             | +79             | +33             | -               | -               | -               | -               | -               | -               | -               | -               | -               | -               | ps   |
|                     | 1.0 | 0   | 0               | 0               | 0               | 0               | 0               | +12             | +12             | +24             | +24             | -               | -               | -               | -               | -               | -               | -               | -               | ps   |
|                     | 0.9 | -   | -               | -5              | -14             | -5              | -14             | +7              | -2              | +19             | +10             | +31             | +22             | -               | -               | -               | -               | -               | -               | ps   |
|                     | 0.8 | -   | -               | -               | -               | -13             | -31             | -1              | -19             | +11             | -7              | +23             | +5              | +35             | +17             | -               | -               | -               | -               | ps   |
|                     | 0.7 | -   | -               | -               | -               | -               | -               | -10             | -42             | +2              | -30             | +14             | -18             | +26             | -6              | +38             | +6              | -               | -               | ps   |
|                     | 0.6 | -   | -               | -               | -               | -               | -               | -               | -               | -10             | -59             | +2              | -47             | +14             | -35             | +26             | -23             | +38             | -11             | ps   |
|                     | 0.5 | -   | -               | -               | -               | -               | -               | -               | -               | -               | -               | -24             | -89             | -12             | -77             | 0               | -65             | +12             | -53             | ps   |
|                     | 0.4 | -   | -               | -               | -               | -               | -               | -               | -               | -               | -               | -               | -               | -52             | -140            | -40             | -128            | -28             | -116            | ps   |

**De-rating Value of t<sub>IS</sub>/t<sub>IH</sub> (DDR2-800, 1066, 1333)**

|                                    |       | CLK, $\overline{\text{CLK}}$ differential slew rate |                 |                 |                 |                 |                 | Unit |
|------------------------------------|-------|---|-----------------|-----------------|-----------------|-----------------|-----------------|------|
|                                    |       | 2.0 V/ns  |                 | 1.5 V/ns        |                 | 1.0 V/ns        |                 |      |
|                                    |       | $\Delta t_{IS}$                                     | $\Delta t_{IH}$ | $\Delta t_{IS}$ | $\Delta t_{IH}$ | $\Delta t_{IS}$ | $\Delta t_{IH}$ |      |
| Command / Address slew rate (V/ns) | 4.0   | +150  | +94             | +180            | +124            | +210            | +154            | ps   |
|                                    | 3.5   | +143  | +89             | +173            | +119            | +203            | +149            | ps   |
|                                    | 3.0   | +133  | +83             | +163            | +113            | +193            | +143            | ps   |
|                                    | 2.5   | +120  | +75             | +150            | +105            | +180            | +135            | ps   |
|                                    | 2.0   | +100  | +45             | +130            | +75             | +160            | +105            | ps   |
|                                    | 1.5   | +67   | +21             | +97             | +51             | +127            | +81             | ps   |
|                                    | 1.0   | 0   | 0               | +30             | +30             | +60             | +60             | ps   |
|                                    | 0.9   | -5  | -14             | +25             | +16             | +55             | +46             | ps   |
|                                    | 0.8   | -13   | -31             | +17             | -1              | +47             | +29             | ps   |
|                                    | 0.7   | -22   | -54             | +8              | -24             | +38             | +6              | ps   |
|                                    | 0.6   | -34   | -83             | -4              | -53             | +26             | -23             | ps   |
|                                    | 0.5   | -60   | -125            | -30             | -95             | 0               | -65             | ps   |
|                                    | 0.4   | -100  | -188            | -70             | -158            | -40             | -128            | ps   |
|                                    | 0.3   | -168  | -292            | -138            | -262            | -108            | -232            | ps   |
|                                    | 0.25  | -200  | -375            | -170            | -345            | -140            | -315            | ps   |
| 0.2                                | -325  | -500  | -295            | -470            | -265            | -440            | ps              |      |
| 0.15                               | -517  | -708  | -487            | -678            | -457            | -648            | ps              |      |
| 0.1                                | -1000 | -1125   | -970            | -1095           | -940            | -1065           | ps              |      |

**Slew Rate Definition Nominal**



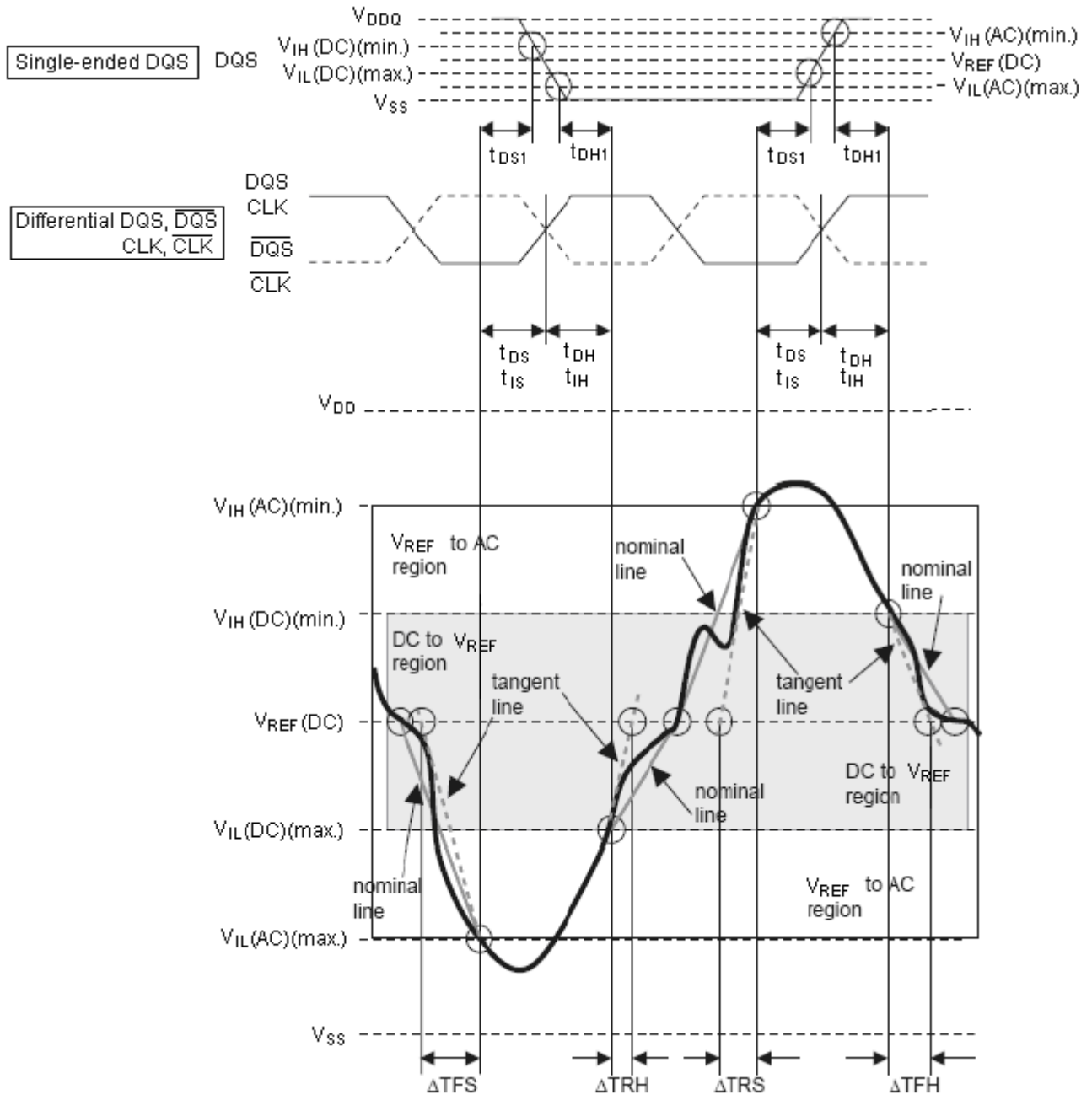
$$\text{Setup slew rate Falling signal} = \frac{V_{REF}(DC) - V_{IL}(AC)(max.)}{\Delta TFS}$$

$$\text{Setup slew rate Rising signal} = \frac{V_{IH}(AC)(min.) - V_{REF}(DC)}{\Delta TRS}$$

$$\text{Hold slew rate Rising signal} = \frac{V_{REF}(DC) - V_{IL}(DC)(max.)}{\Delta TRH}$$

$$\text{Hold slew rate Falling signal} = \frac{V_{IH}(DC)(min.) - V_{REF}(DC)}{\Delta TFH}$$

**Slew Rate Definition Tangent**



$$\text{Setup slew rate Falling signal} = \frac{\text{tangent line } [V_{REF}(DC) - V_{IL}(AC)(max.)]}{\Delta TFS}$$

$$\text{Hold slew rate Rising signal} = \frac{\text{tangent line } [V_{REF}(DC) - V_{IL}(DC)(max.)]}{\Delta TRH}$$

$$\text{Setup slew rate Rising signal} = \frac{\text{tangent line } [V_{IH}(AC)(min.) - V_{REF}(DC)]}{\Delta TRS}$$

$$\text{Hold slew rate Falling signal} = \frac{\text{tangent line } [V_{IH}(DC)(min.) - V_{REF}(DC)]}{\Delta TFH}$$

## Command Truth Table

| COMMAND                         |                        | Note 7<br>CKE(n-1) | Note 7<br>CKE(n) | $\overline{CS}$ | $\overline{RAS}$ | $\overline{CAS}$ | $\overline{WE}$ | DM | BA0,1   | A10/AP      | A12~A11,<br>A9~A0      | Note           |
|---------------------------------|------------------------|--------------------|------------------|-----------------|------------------|------------------|-----------------|----|---------|-------------|------------------------|----------------|
| (Extended)<br>Mode Register Set |                        | H                  | H                | L               | L                | L                | L               | X  | OP CODE |             |                        | 1,2            |
| Refresh                         | Auto Refresh           | H                  | H                | L               | L                | L                | H               | X  | X       |             |                        | 10,12          |
|                                 | Entry                  |                    | L                |                 |                  |                  |                 |    |         |             |                        |                |
|                                 | Self Refresh           | L                  | H                | L               | H                | H                | H               | X  | X       |             |                        | 6,9,<br>12     |
| Exit                            | H                      |                    |                  | X               | X                | X                |                 |    |         |             |                        |                |
| Bank Active                     |                        | H                  | H                | L               | L                | H                | H               | X  | V       | Row Address |                        |                |
| Read                            | Auto Precharge Disable | H                  | H                | L               | H                | L                | H               | X  | V       | L           | Column Address (A9~A0) | 1,3            |
|                                 | Auto Precharge Enable  |                    |                  |                 |                  |                  |                 |    |         | H           |                        |                |
| Write                           | Auto Precharge Disable | H                  | H                | L               | H                | L                | L               | X  | V       | L           | Column Address (A9~A0) | 1,3,17         |
|                                 | Auto Precharge Enable  |                    |                  |                 |                  |                  |                 |    |         | H           |                        |                |
| Precharge                       | Bank Selection         | H                  | H                | L               | L                | H                | L               | X  | V       | L           | X                      |                |
|                                 | All Banks              |                    |                  |                 |                  |                  |                 |    | X       | H           |                        |                |
| Active Power-Down               | Entry                  | H                  | L                | H               | X                | X                | X               | X  | X       |             |                        | 4,11,<br>12,15 |
|                                 |                        |                    |                  | L               | H                | H                | H               |    |         |             |                        |                |
|                                 | Exit                   | L                  | H                | H               | X                | X                | X               | X  | X       |             |                        | 4,8,<br>12,15  |
|                                 |                        |                    |                  | L               | H                | H                | H               |    |         |             |                        |                |
| Precharge Power-Down            | Entry                  | H                  | L                | H               | X                | X                | X               | X  | X       |             |                        | 4,11,<br>12,15 |
|                                 |                        |                    |                  | L               | H                | H                | H               |    |         |             |                        |                |
|                                 | Exit                   | L                  | H                | H               | X                | X                | X               | X  | X       |             |                        | 4,8,<br>12,15  |
|                                 |                        |                    |                  | L               | H                | H                | H               |    |         |             |                        |                |
| DM                              |                        | H                  | H                | X               |                  |                  |                 | V  | X       |             |                        | 16             |
| Device Deselect                 |                        | H                  | X                | H               | X                | X                | X               | X  | X       |             |                        |                |
| No Operation                    |                        | H                  | X                | L               | H                | H                | H               | X  | X       |             |                        |                |

(OP code = Operand Code, V = Valid, X = Don't Care, H = Logic High, L = Logic Low)

### Note:

- BA during a MRS/EMRS command selects which mode register is programmed.
- MRS/EMRS can be issued only at all bank Precharge state.
- Burst Reads or Writes at BL = 4 cannot be terminated or interrupted.
- The Power-Down mode does not perform any Refresh operations. The duration of Power-Down is limited by the Refresh requirements. Need one clock delay to entry and exit mode.
- The state of ODT does not affect the states described in this table. The ODT function is not available during Self Refresh.
- Self Refresh Exit is asynchronous.
- CKE (n) is the logic state of CKE at clock edge n; CKE (n-1) was the state of CKE at the previous clock edge.
- All states not shown are illegal or reserved unless explicitly described elsewhere in this document.
- On Self Refresh, Exit Deselect or NOP commands must be issued on every clock edge occurring during the  $t_{XSNR}$  period. Read commands may be issued only after  $t_{XSRD}$  is satisfied.
- Self Refresh mode can only be entered from all banks Idle state.
- Power-Down and Self Refresh can not be entered while Read or Write operations, MRS/EMRS operations or Precharge operations are in progress.
- Minimum CKE HIGH / LOW time is  $t_{CKE}$  (min).
- The state of ODT does not affect the states described in this table. The ODT function is not available during Self Refresh.
- CKE must be maintained HIGH while the device is in OCD calibration mode.
- ODT must be driven HIGH or LOW in Power-Down if the ODT function is enabled.
- Used to mask write data, provided coincident with the corresponding data.
- If  $t_{CK} < 1.875ns$ , the device can not support Write with Auto Precharge function.



## Power On and Initialization

DDR2 SDRAM must be powered up and initialized in a predefined manner. Operational procedures other than those specified may result in undefined operation.

## Power-Up and Initialization Sequence

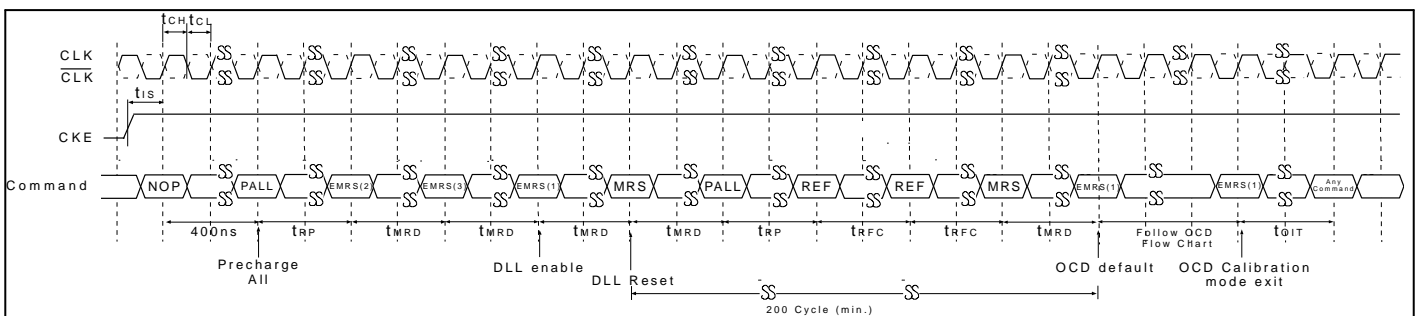
The following sequence is required for Power-Up and Initialization.

1. Apply power and attempt to maintain CKE below  $0.2 \times V_{DDQ}$  and ODT (\*1) at a low state (all other inputs may be undefined).
  - $V_{DD}(*2)$ ,  $V_{DDL}(*2)$  and  $V_{DDQ}$  are driven from a single power converter output, AND
  - $V_{TT}$  is limited to 0.95V max, AND
  - $V_{REF}$  tracks  $V_{DDQ} / 2$ .
 or
  - Apply  $V_{DD}(*2)$  before or at the same time as  $V_{DDL}$ .
  - Apply  $V_{DDL}(*2)$  before or at the same time as  $V_{DDQ}$ .
  - Apply  $V_{DDQ}$  before or at the same time as  $V_{TT}$  and  $V_{REF}$ .
 at least one of these two sets of conditions must be met.
2. Start clock and maintain stable condition.
3. For the minimum of 200us after stable power and clock (CLK,  $\overline{CLK}$ ), then apply NOP or Deselect and take CKE High.
4. Waiting minimum of 400ns then issue Precharge commands for all banks of the device. NOP or Deselect applied during 400ns period.
5. Issue EMRS(2) command. (To issue EMRS(2) command, provide "LOW" to BA0, "HIGH" to BA1.)
6. Issue EMRS(3) command. (To issue EMRS(3) command, provide "HIGH" to BA0 and BA1.)
7. Issue EMRS(1) to enable DLL. (To issue "DLL Enable" command, provide "LOW" to A0, "HIGH" to BA0 and "LOW" to BA1.)
8. Issue a Mode Register Set command for "DLL reset" (\*3).  
(To issue DLL reset command, provide "HIGH" to A8 and "LOW" to BA0-1)
9. Issue Precharge commands for all banks of the device.
10. Issue 2 or more Auto Refresh commands.
11. Issue a Mode Register Set command with LOW to A8 to initialize device operation. (To program operation parameters without resetting the DLL.)
12. At least 200 clocks after step 8, execute OCD calibration (Off Chip Driver impedance adjustment).  
If OCD calibration is not used, EMRS(1) OCD default command (A9=A8=A7=1) followed by EMRS(1) OCD calibration mode exit command (A9=A8=A7=0) must be issued with other operating parameters of EMRS(1).
13. The DDR2 SDRAM is now ready for normal operation.

### Note :

- \*1) To guarantee ODT off,  $V_{REF}$  must be valid and a low level must be applied to the ODT pin.
- \*2) If DC voltage level of  $V_{DDL}$  or  $V_{DD}$  is intentionally changed during normal operation, (for example, for the purpose of  $V_{DD}$  corner test, or power saving) "DLL Reset" must be executed.
- \*3) Every "DLL enable" command resets DLL. Therefore sequence 8 can be skipped during power up. Instead of it, the additional 200 cycles of clock input is required to lock the DLL after enabling DLL.

## Initialization Sequence after Power-UP

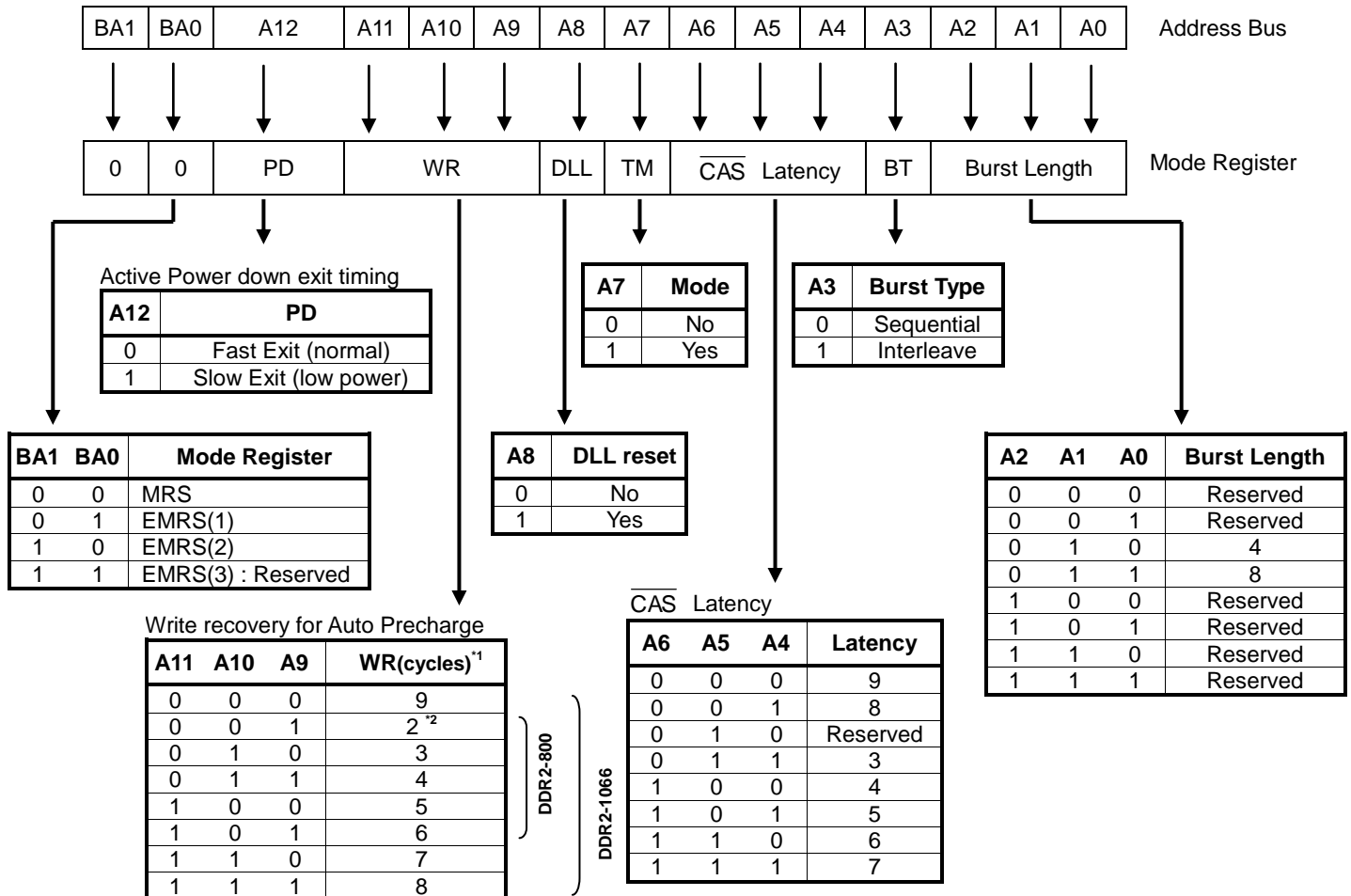


## Mode Register Definition

### Mode Register Set [MRS]

The mode register stores the data for controlling the various operating modes of DDR2 SDRAM. It programs  $\overline{\text{CAS}}$  latency, burst length, burst type, test mode, DLL reset, WR and various vendor specific options to make the device useful for variety of different applications. The default value of the mode register is not defined, therefore the mode register must be written after Power-Up for proper operation. The mode register is written by asserting LOW on  $\overline{\text{CS}}$ ,  $\overline{\text{RAS}}$ ,  $\overline{\text{CAS}}$ ,  $\overline{\text{WE}}$ , BA0 and BA1 (The device should be in all bank Precharge with CKE already high prior to writing into the mode register). The state of address pins A0~A12 in the same cycle as  $\overline{\text{CS}}$ ,  $\overline{\text{RAS}}$ ,  $\overline{\text{CAS}}$ ,  $\overline{\text{WE}}$ , BA0 and BA1 going LOW are written in the mode register.

The  $t_{\text{MRD}}$  time is required to complete the write operation to the mode register. The mode register contents can be changed using the same command and clock cycle requirements during normal operation as long as all banks are in the idle state. The mode register is divided into various fields depending on functionality. The burst length is defined by A0 ~ A2. Burst address sequence type is defined by A3, CAS latency (read latency from column address) is defined by A4 ~ A6. The DDR2 doesn't support half clock latency mode. A7 is used for test mode. A8 is used for DLL reset. A7 must be set to low for normal MRS operation. Write recovery time WR is defined by A9 ~ A11. Refer to the table for specific codes.



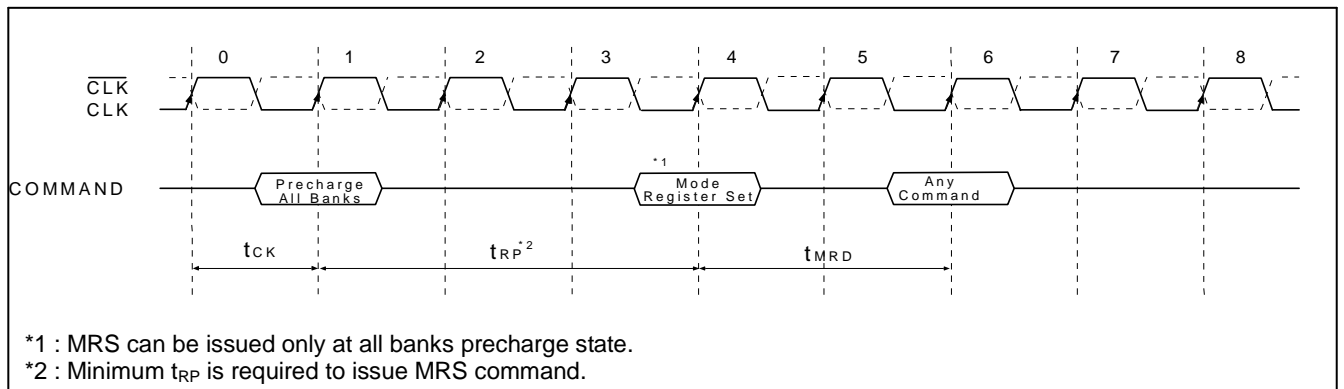
#### Note:

- WR(min.) (write recovery for Auto Precharge) is determined by  $t_{\text{CK}}$  (max.) and WR(max.) is determined by  $t_{\text{CK}}$  (min.) WR in clock cycles is calculated by dividing  $t_{\text{WR}}$  (in ns) by  $t_{\text{CK}}$  (in ns) and rounding up a non-integer value to the next integer ( $\text{WR}[\text{cycles}] = t_{\text{WR}}(\text{ns}) / t_{\text{CK}}(\text{ns})$ ). The mode register must be programmed to this value. This is also used with  $t_{\text{RP}}$  to determine  $t_{\text{DAL}}$ .
- If  $t_{\text{CK}} < 1.875\text{ns}$ , the device can not support Write with Auto Precharge function. WR must be set A11~A9 to 000.

**Burst Address Ordering for Burst Length**

| Burst Length | Starting Column Address (A2, A1,A0) | Sequential Mode        | Interleave Mode        |
|--------------|-------------------------------------|------------------------|------------------------|
| 4            | 000                                 | 0, 1, 2, 3             | 0, 1, 2, 3             |
|              | 001                                 | 1, 2, 3, 0             | 1, 0, 3, 2             |
|              | 010                                 | 2, 3, 0, 1             | 2, 3, 0, 1             |
|              | 011                                 | 3, 0, 1, 2             | 3, 2, 1, 0             |
| 8            | 000                                 | 0, 1, 2, 3, 4, 5, 6, 7 | 0, 1, 2, 3, 4, 5, 6, 7 |
|              | 001                                 | 1, 2, 3, 0, 5, 6, 7, 4 | 1, 0, 3, 2, 5, 4, 7, 6 |
|              | 010                                 | 2, 3, 0, 1, 6, 7, 4, 5 | 2, 3, 0, 1, 6, 7, 4, 5 |
|              | 011                                 | 3, 0, 1, 2, 7, 4, 5, 6 | 3, 2, 1, 0, 7, 6, 5, 4 |
|              | 100                                 | 4, 5, 6, 7, 0, 1, 2, 3 | 4, 5, 6, 7, 0, 1, 2, 3 |
|              | 101                                 | 5, 6, 7, 4, 1, 2, 3, 0 | 5, 4, 7, 6, 1, 0, 3, 2 |
|              | 110                                 | 6, 7, 4, 5, 2, 3, 0, 1 | 6, 7, 4, 5, 2, 3, 0, 1 |
|              | 111                                 | 7, 4, 5, 6, 3, 0, 1, 2 | 7, 6, 5, 4, 3, 2, 1, 0 |

**Mode Register Set**



**DLL Enable / Disable**

The DLL must be enabled for normal operation. DLL enable is required during power-up initialization, and upon returning to normal operation after having the DLL disabled for the purpose of debug or evaluation (upon exiting Self Refresh Mode, the DLL is enabled automatically). Any time the DLL is enabled, 200 clock cycles must occur before a READ command can be issued.

**Output Drive Strength**

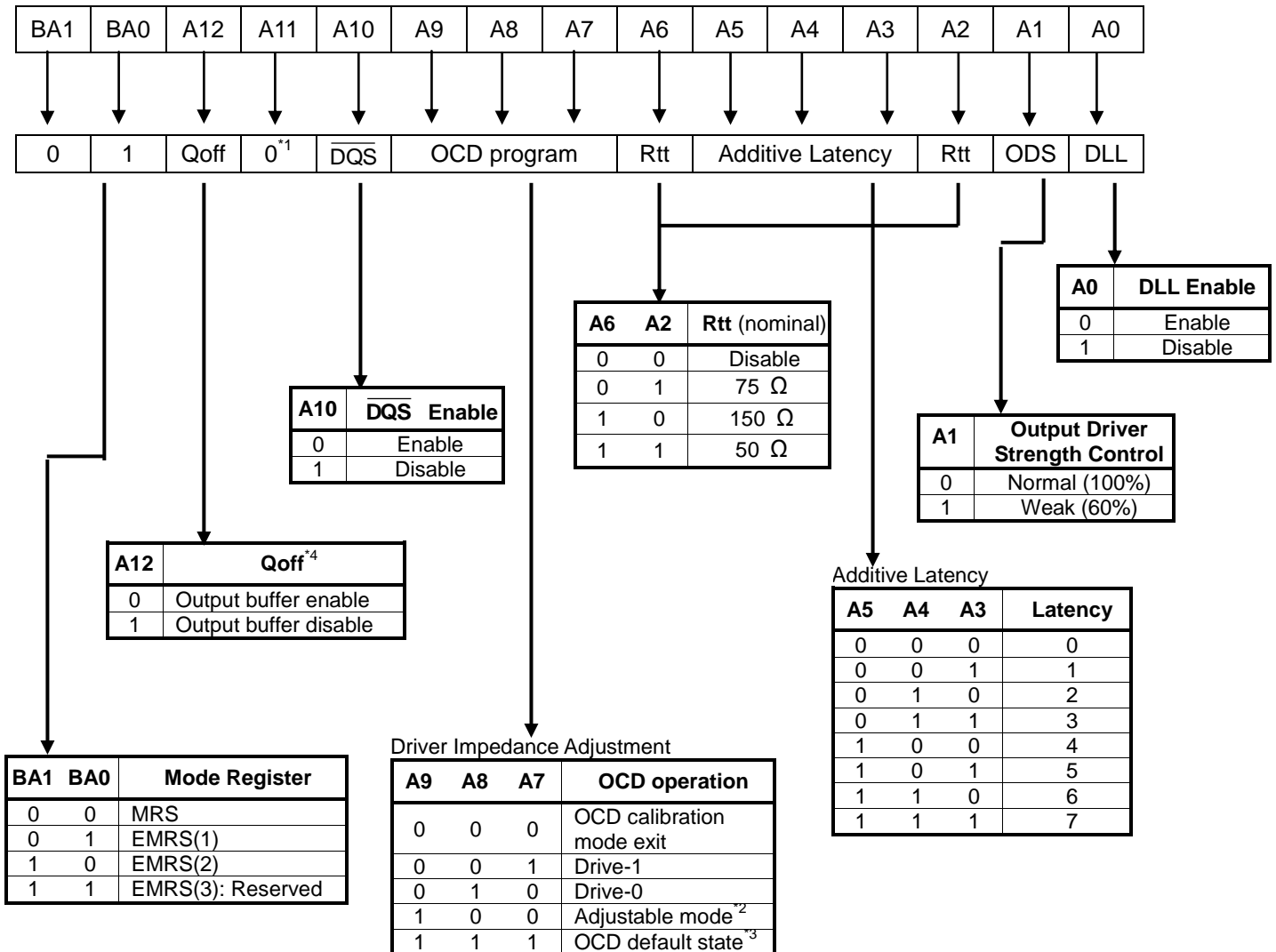
The normal drive strength for all outputs is specified to be SSTL\_18. The device also supports a weak drive strength option, intended for lighter load and/or point-to-point environments.

## Extended Mode Register Set-1 [EMRS(1)]

The EMRS(1) stores the data for enabling or disabling DLL, output driver strength, additive latency, ODT, disable  $\overline{DQS}$ , OCD program. The default value of the EMRS(1) is not defined, therefore EMRS(1) must be written after power up for proper operation. The EMRS(1) is written by asserting LOW on  $\overline{CS}$ ,  $\overline{RAS}$ ,  $\overline{CAS}$ ,  $\overline{WE}$ , BA1 and HIGH on BA0 (The device should be in all bank Precharge with CKE already high prior to writing into EMRS(1)). The state of address pins A0~A12 in the same cycle as  $\overline{CS}$ ,  $\overline{RAS}$ ,  $\overline{CAS}$ ,  $\overline{WE}$  and BA1 going LOW and BA0 going HIGH are written in the EMRS(1).

The  $t_{MRD}$  time is required to complete the write operation to the EMRS(1). The EMRS(1) contents can be changed using the same command and clock cycle requirements during normal operation as long as all banks are in the idle state. A0 is used for DLL enable or disable. A1 is used for reducing output driver strength. The additive latency is defined by A3~A5. A7~A9 are used for OCD control. A10 is used for  $\overline{DQS}$  disable. ODT setting is defined by A2 and A6.

In single ended mode, the  $\overline{DQS}$  signals are internally disabled and don't care.



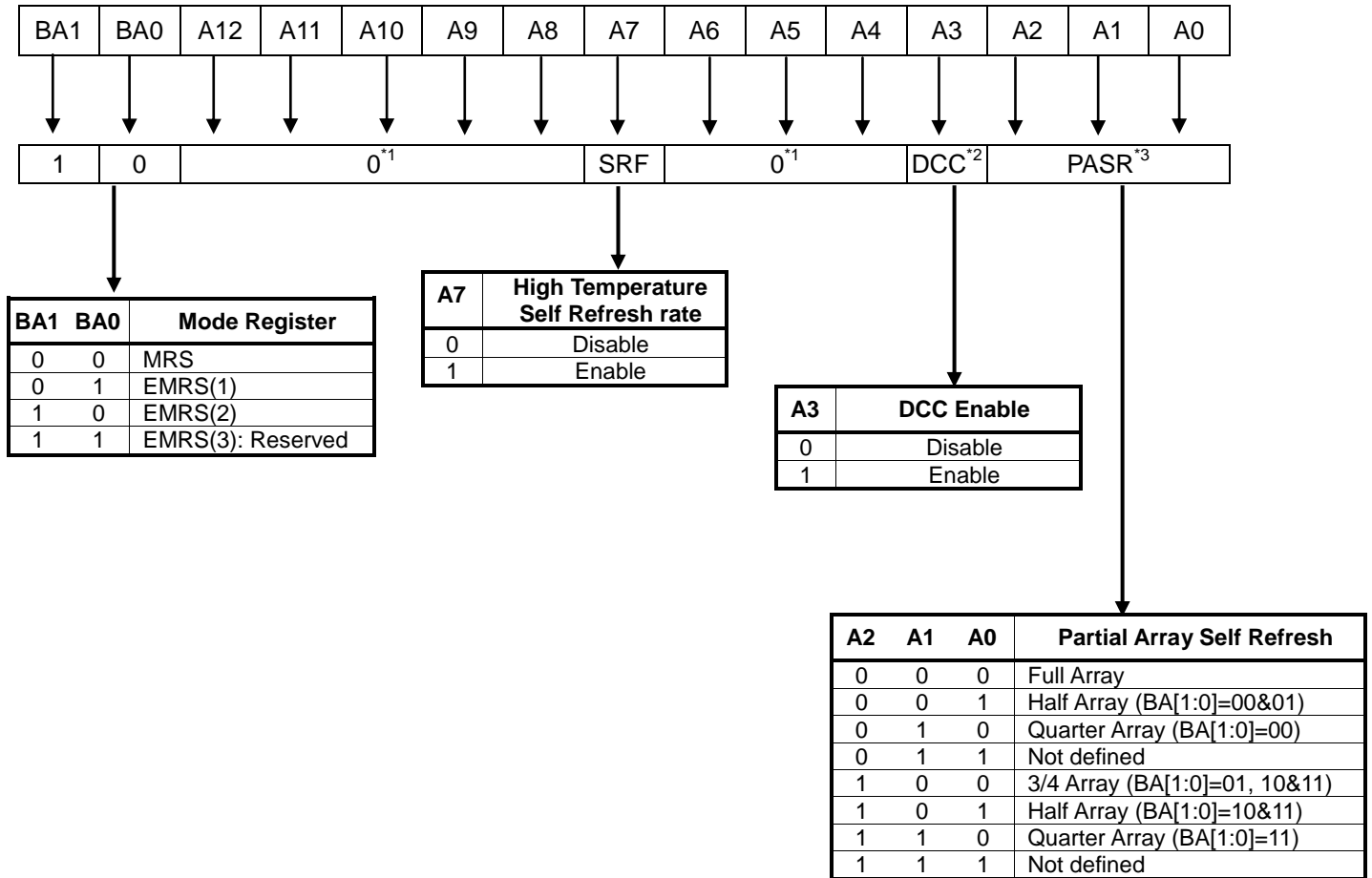
### Note:

1. A11 is reserved for future use and must be set to 0.
2. When adjustable mode of driver impedance is issued, the previously set value of AL must be applied.
3. After setting to default state of driver impedance, OCD calibration mode needs to be exited by setting A9~A7 to 000.
4. Output disabled - DQs, DQSs,  $\overline{DQS}$ s. This feature is used in conjunction with DIMM IDD measurements when IDDQ is not desired to be included.

## Extended Mode Register Set-2 [EMRS(2)]

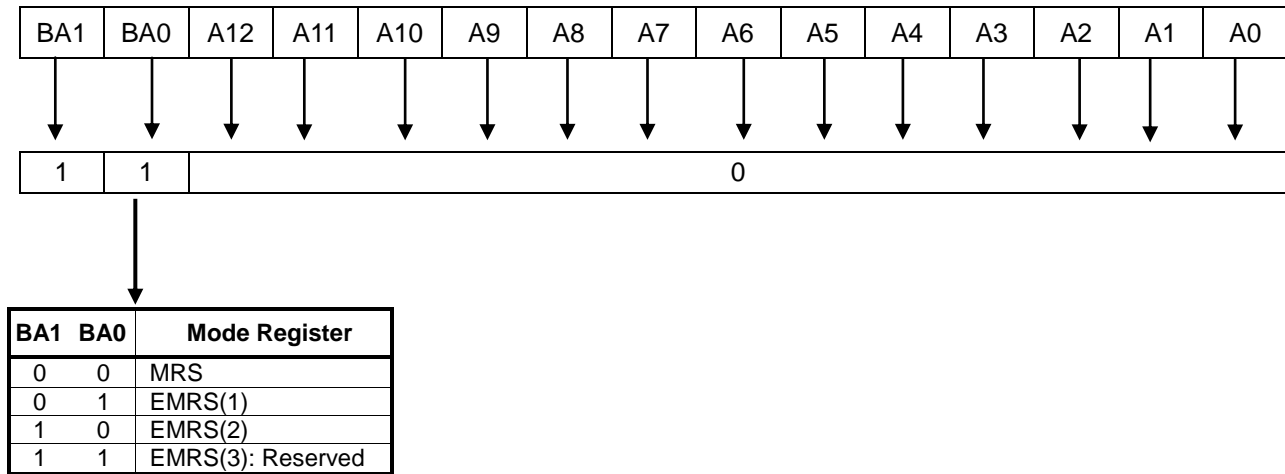
The EMRS(2) stores the data for enabling or disabling high temperature self refresh rate. The default value of the EMRS(2) is not defined, therefore EMRS(2) must be written after power up for proper operation. The EMRS(2) is written by asserting LOW on  $\overline{CS}$ ,  $\overline{RAS}$ ,  $\overline{CAS}$ ,  $\overline{WE}$ , BA0 and HIGH on BA1 (The device should be in all bank Precharge with CKE already high prior to writing into EMRS(2)). The state of address pins A0~A12 in the same cycle as  $\overline{CS}$ ,  $\overline{RAS}$ ,  $\overline{CAS}$ ,  $\overline{WE}$  and BA0 going LOW and BA1 going HIGH are written in the EMRS(2).

The  $t_{MRD}$  time is required to complete the write operation to the EMRS(2). The EMRS(2) contents can be changed using the same command and clock cycle requirements during normal operation as long as all banks are in the idle state. A7 is used for high temperature self refresh rate enable or disable.



**\*Note:**

1. A0~A2, A4~A6 and A8~A12 are reserved for future use and must be set to 0.
2. User may enable or disable the DCC (Duty Cycle Corrector) by programming A3 bit accordingly.
3. If PASR (Partial Array Self Refresh) is enabled, data located in areas of the array beyond the specified address range will be lost if self refresh is entered. Data integrity will be maintained if  $t_{REF}$  conditions are met and no Self Refresh command is issued. If the PASR feature is not supported, EMRS(2)[A0-A2] must be set to 000 when programming EMRS(2).

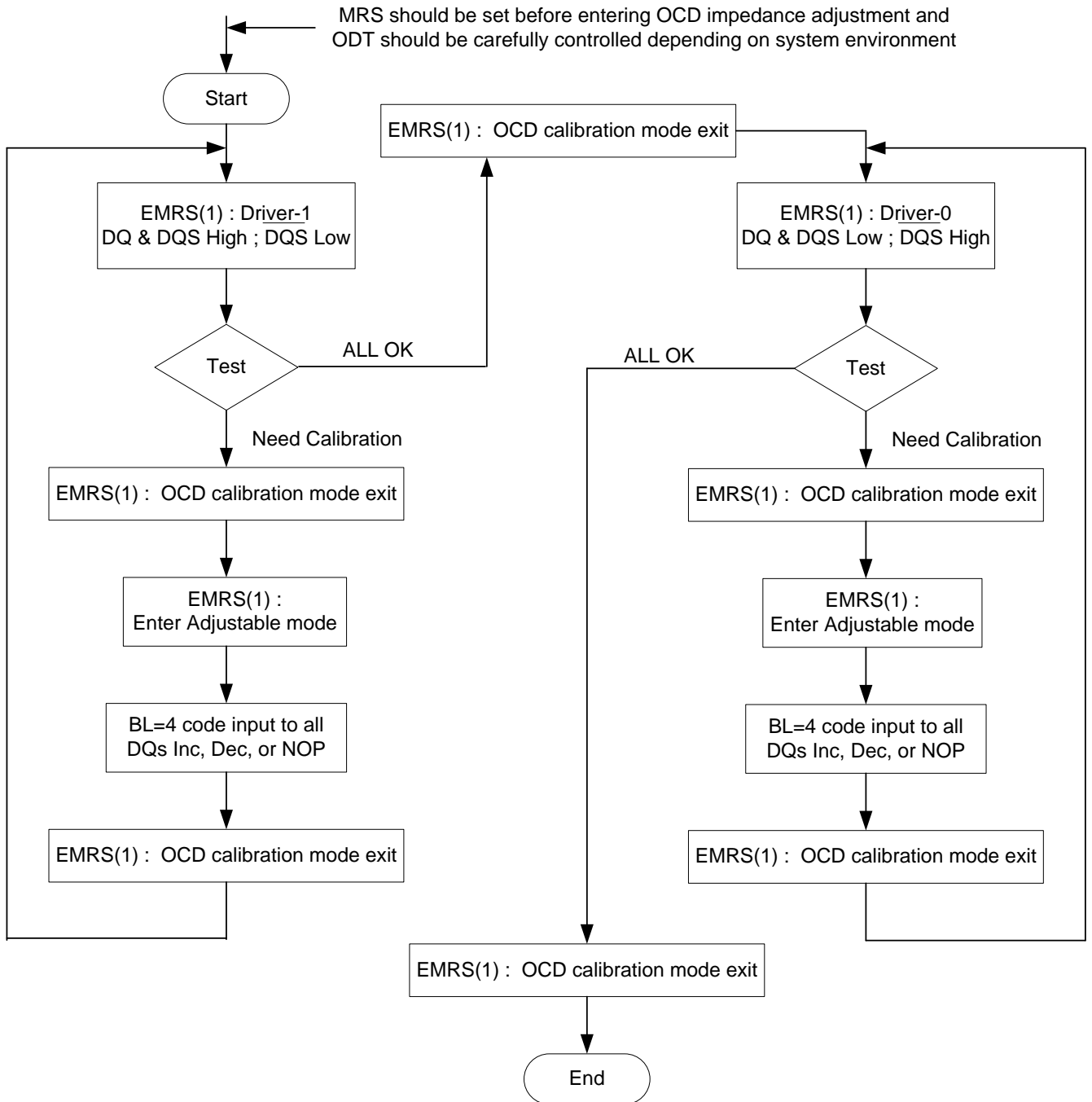
**Extended Mode Register Set-3 [EMRS(3)]**

**Note:** EMRS(3) is reserved for future. All bits except BA0 and BA1 are reserved for future use and must be set to 0 when setting to mode register during initialization.

**Off-Chip Driver (OCD) Impedance Adjustment**

DDR2 SDRAM supports driver calibration feature. Every calibration mode command should be followed by “OCD calibration mode exit” before any other command being issued. MRS should be set before entering OCD impedance adjustment and ODT (On Die Termination) should be carefully controlled depending on system environment.

**OCD Flow Chart**



**EMRS(1) for OCD Impedance Adjustment**

OCD impedance adjustment can be done using the following EMRS(1) mode. In drive mode, all outputs are driven out by DDR2 SDRAM. In Drive-1 mode, all DQ, DQS signals are driven HIGH and all  $\overline{DQS}$  signals are driven LOW. In Drive-0 mode, all DQ, DQS signals are driven LOW and all  $\overline{DQS}$  signals are driven HIGH. In adjustable mode, BL = 4 of operation code data must be used. In case of OCD default state, output driver characteristics have a nominal impedance value of 18  $\Omega$  during nominal temperature and voltage conditions. Output driver characteristics for OCD default state are specified in OCD default characteristics table. OCD applies only to normal full strength output drive setting defined by EMRS(1) and if weak strength is set or adjustable mode is used, OCD default output driver characteristics are not applicable. After OCD calibration is completed or driver strength is set to default, subsequent EMRS(1) commands not intended to adjust OCD characteristics must specify A9-A7 as '000' in order to maintain the default or calibrated value.

**Driver Impedance Adjustment Mode**

| A9 | A8 | A7 | Operation                                      |
|----|----|----|--|
| 0  | 0  | 0  | OCD calibration mode exit                      |
| 0  | 0  | 1  | Device-1: DQ,DQS High and $\overline{DQS}$ Low |
| 0  | 1  | 0  | Device-0: DQ,DQS Low and $\overline{DQS}$ High |
| 1  | 0  | 0  | Adjustable mode                                |
| 1  | 1  | 1  | OCD default state                              |

**Adjust OCD Impedance**

To adjust output driver impedance, controllers must issue EMRS(1) command for adjustable mode along with a 4bit burst code to DDR2 SDRAM as in the following table. For this operation, Burst Length has to be set to BL = 4 via MRS command before activating OCD and controllers must drive this burst code to all DQs at the same time. DT0 in the following table means all DQ bits at bit time 0, DT1 at bit time 1, and so forth. The driver output impedance is adjusted for all DQs simultaneously and after OCD calibration, all DQs of a given device will be adjusted to the same driver strength setting.

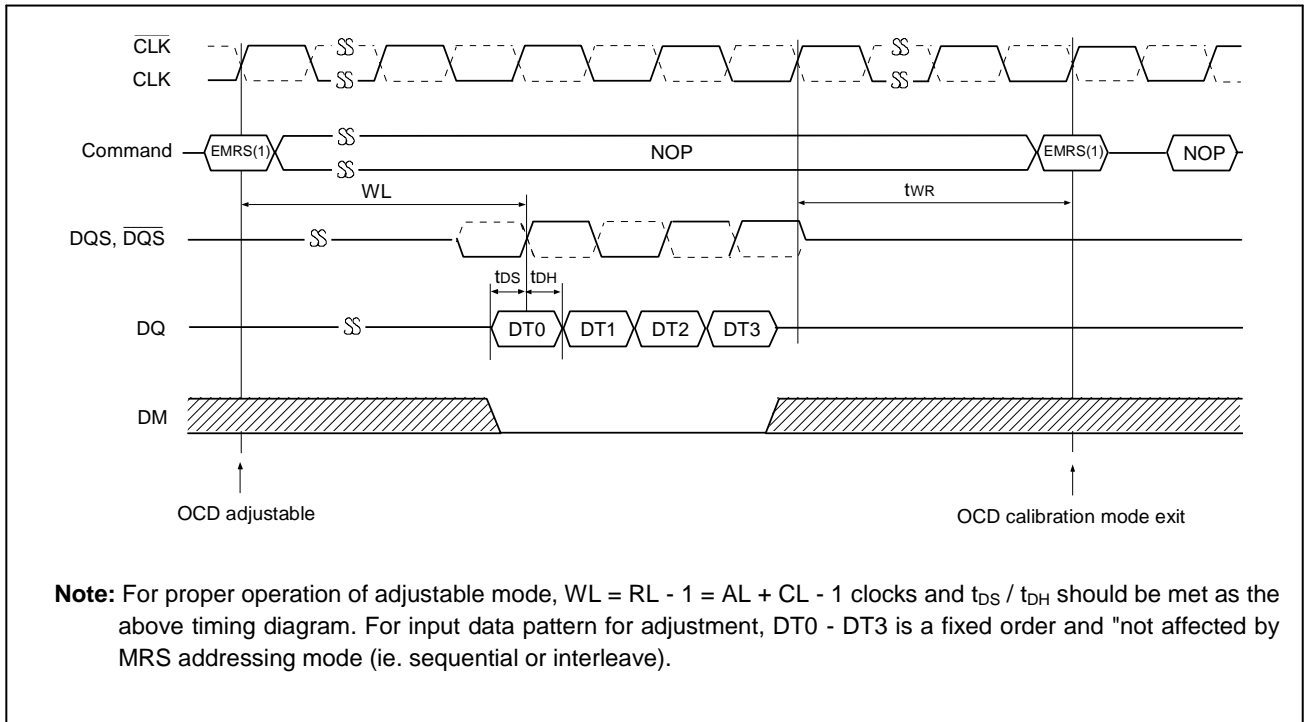
The maximum step count for adjustment is 16 and when the limit is reached, further increment or decrement code has no effect. The default setting may be any step within the 16 step range. When Adjustable mode command is issued, AL from previously set value must be applied.

**OCD Adjustment Table**

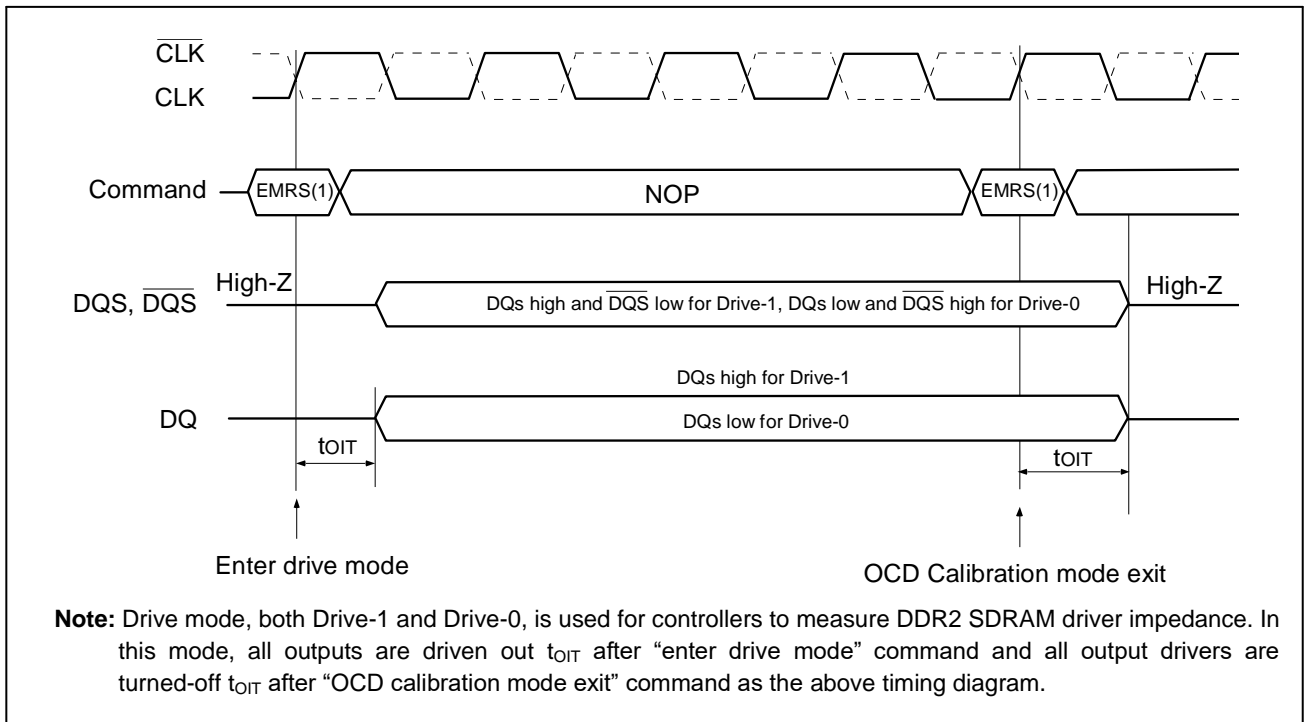
| DT0    | DT1 | DT2 | DT3 | Pull-up driver strength | Pull-down driver strength |
|--------|-----|-----|-----|-------------------------|---------------------------|
| 0      | 0   | 0   | 0   | NOP                     | NOP                       |
| 0      | 0   | 0   | 1   | Increase by 1 step      | NOP                       |
| 0      | 0   | 1   | 0   | Decrease by 1 step      | NOP                       |
| 0      | 1   | 0   | 0   | NOP                     | Increase by 1 step        |
| 1      | 0   | 0   | 0   | NOP                     | Decrease by 1 step        |
| 0      | 1   | 0   | 1   | Increase by 1 step      | Increase by 1 step        |
| 0      | 1   | 1   | 0   | Decrease by 1 step      | Increase by 1 step        |
| 1      | 0   | 0   | 1   | Increase by 1 step      | Decrease by 1 step        |
| 1      | 0   | 1   | 0   | Decrease by 1 step      | Decrease by 1 step        |
| Others |     |     |     | Reserve                 | Reserve                   |



**OCD Adjustable Mode**



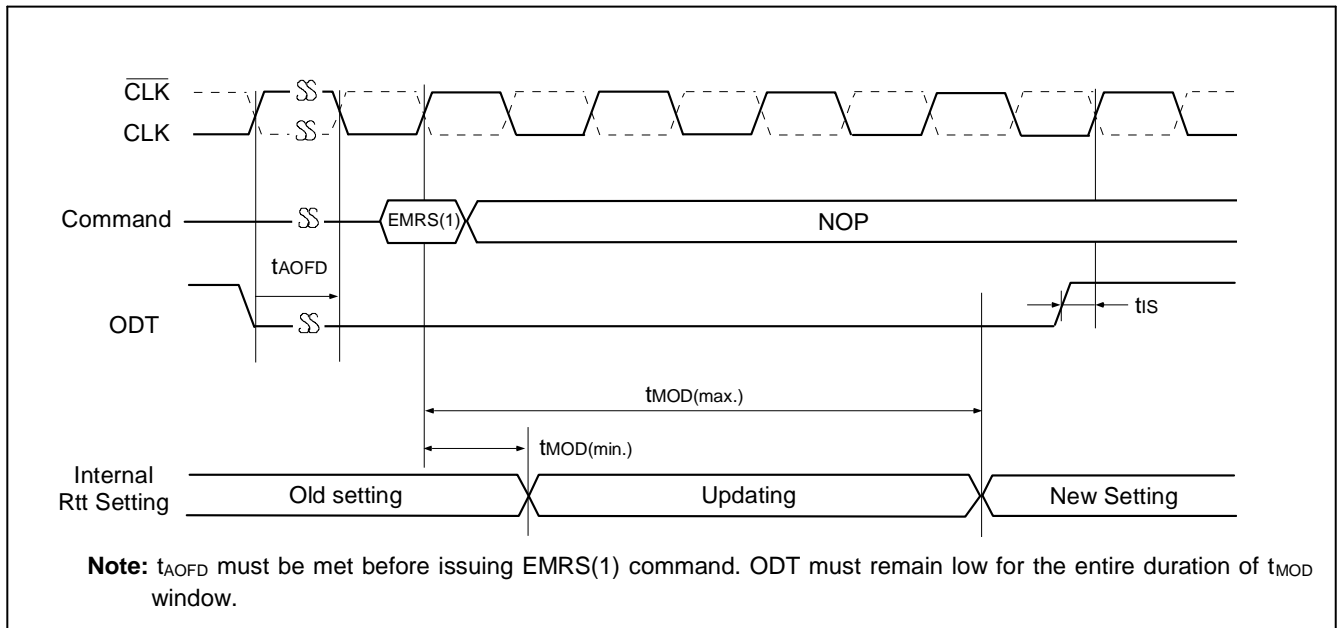
**OCD Driver Mode**



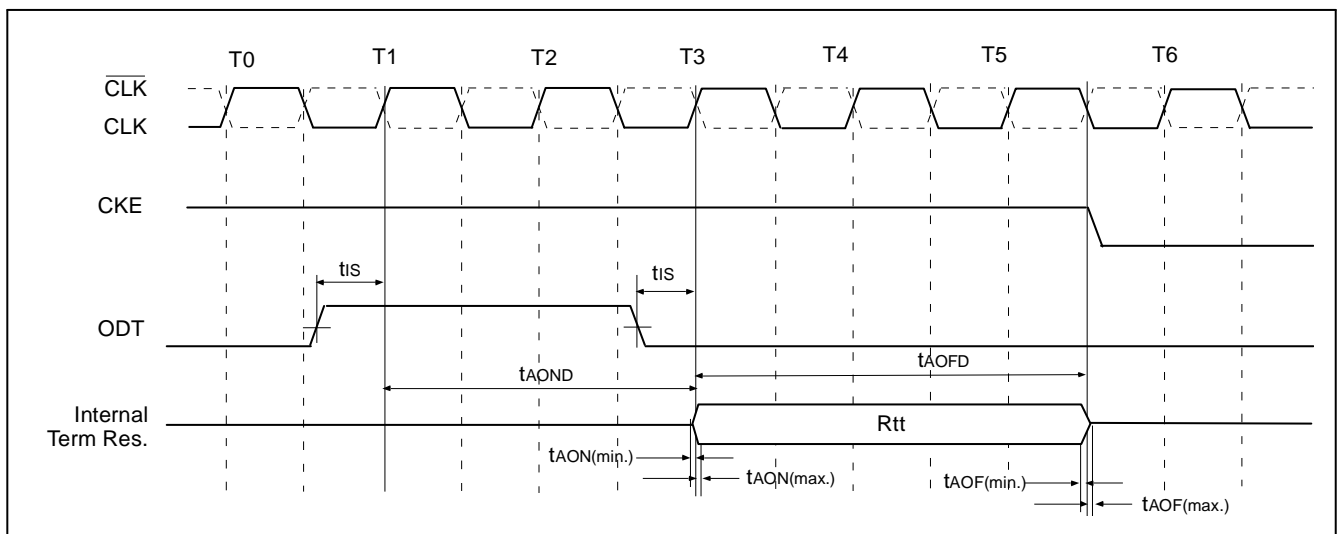
**ODT (On Die Termination)**

On Die Termination (ODT) is a feature that allows a DDR2 SDRAM to turn on/off termination resistance for each DQ, all DQS/ $\overline{\text{DQS}}$ , and all DM signals via the ODT control pin. The ODT feature is designed to improve signal integrity of the memory channel by allowing the DRAM controller to independently turn on/off termination resistance for any or all devices. The ODT function is supported for Active and Standby modes. ODT is turned off and not supported in Self Refresh mode.

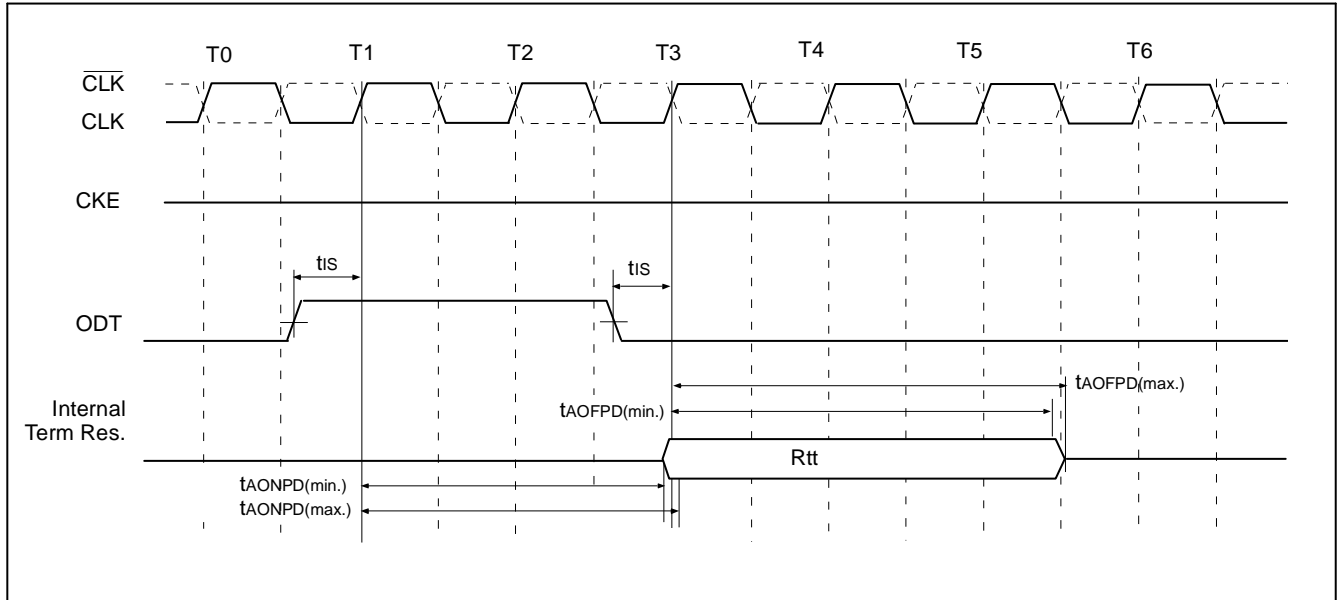
**Timing for ODT Update Delay**



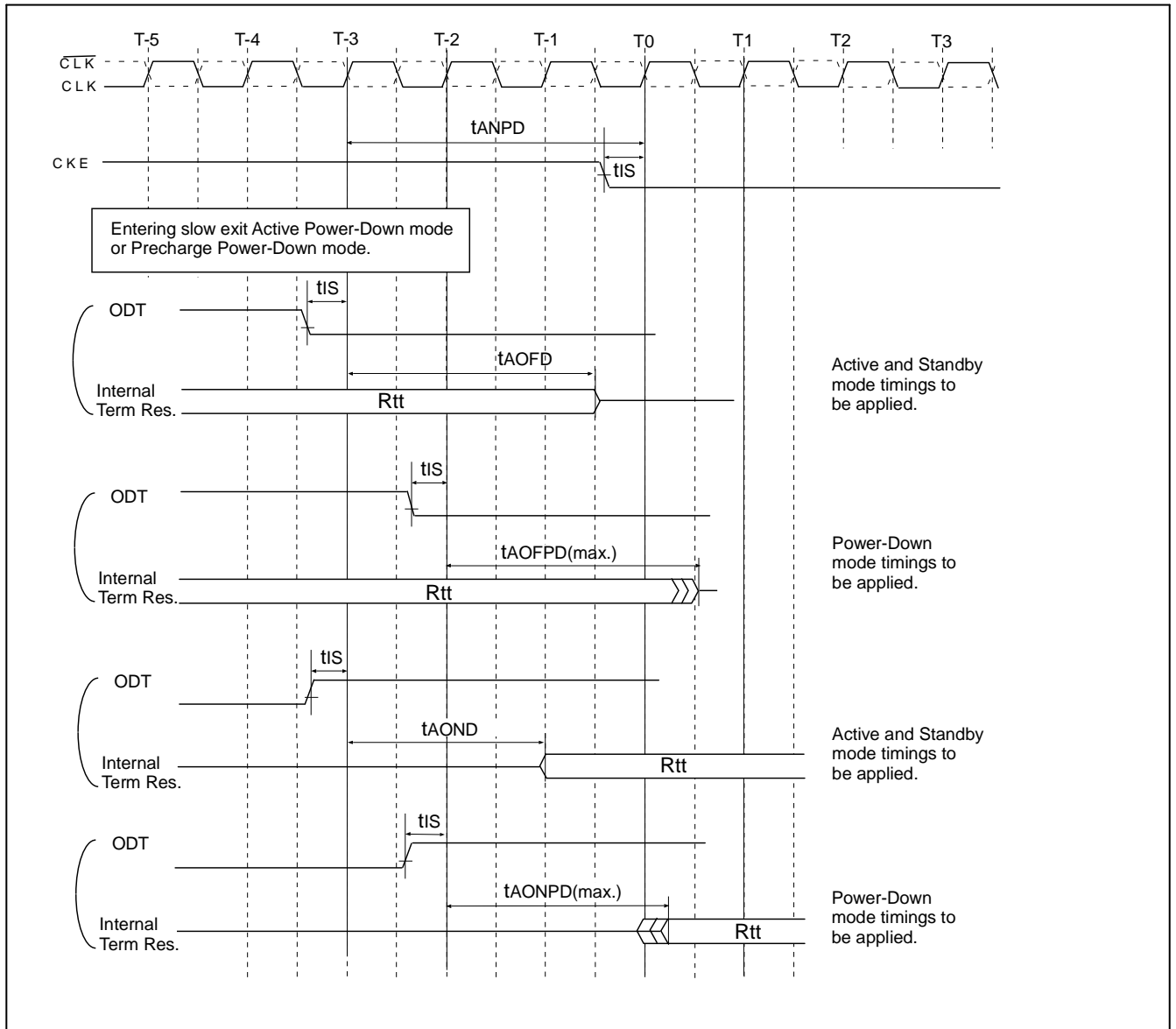
**ODT Timing for Active and Standby Mode**



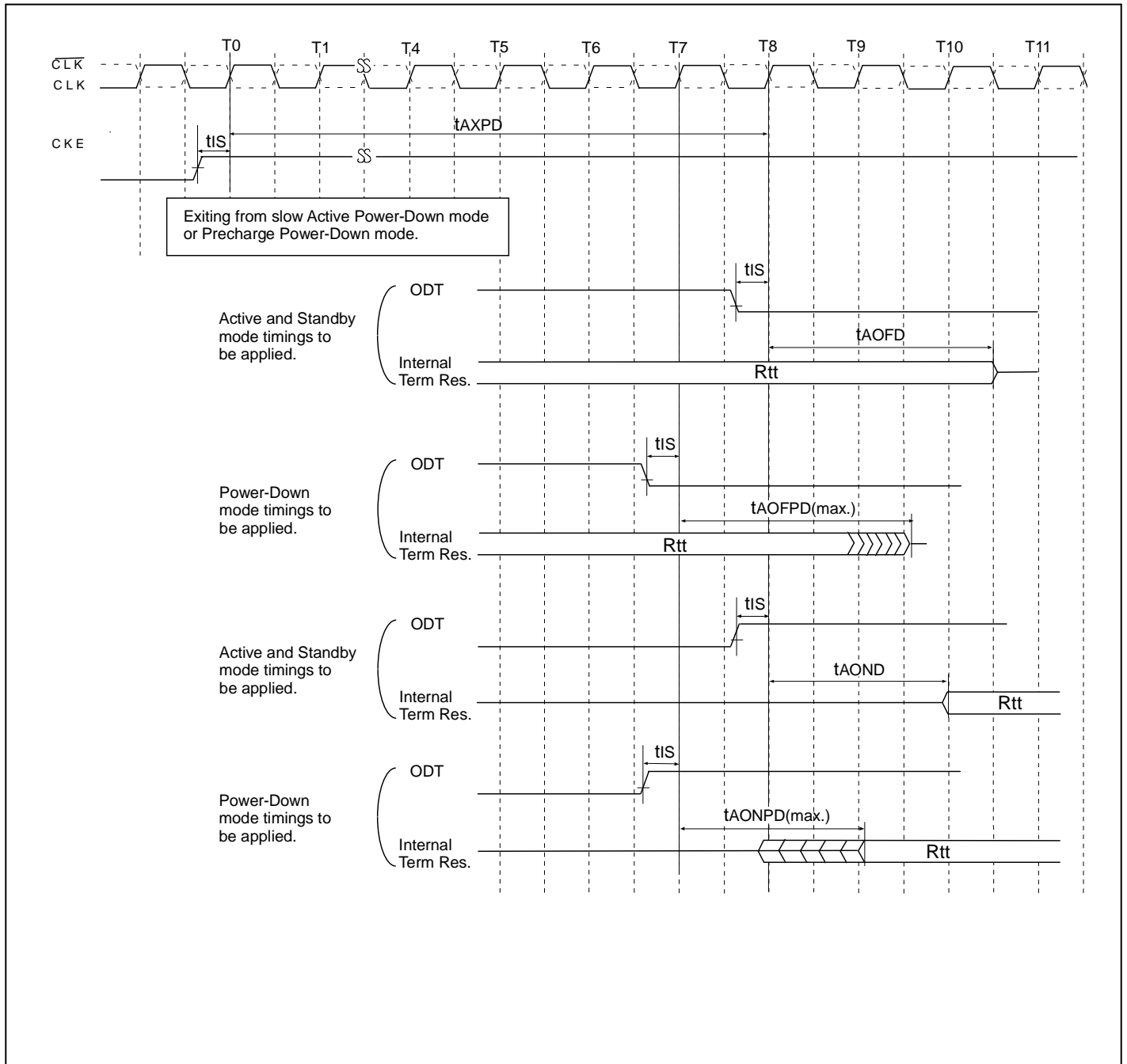
**ODT Timing for Power-Down Mode**



**ODT Timing Mode Switch at Entering Power-Down Mode**



**ODT Timing Mode Switch at Exiting Power-Down Mode**



**Precharge**

The Precharge command is used to precharge or close a bank that has activated. The command is issued when  $\overline{CS}$ ,  $\overline{RAS}$  and  $\overline{WE}$  are LOW and  $\overline{CAS}$  is HIGH at the rising edge of the clock. The Precharge command can be used to precharge each bank respectively or all banks simultaneously. The bank select addresses (BA0, BA1) and A10 are used to define which bank is precharged when the command is initiated. For write cycle,  $t_{WR}(\text{min.})$  must be satisfied until the Precharge command can be issued. After  $t_{RP}$  from the precharge, a Bank Active command to the same bank can be initiated.

**Bank Selection for Precharge by Address bits**

| A10/AP | BA1 | BA0 | Precharge   |
|--------|-----|-----|-------------|
| 0      | 0   | 0   | Bank A Only |
| 0      | 1   | 0   | Bank B Only |
| 0      | 0   | 1   | Bank C Only |
| 0      | 1   | 1   | Bank D Only |
| 1      | X   | X   | All Banks   |

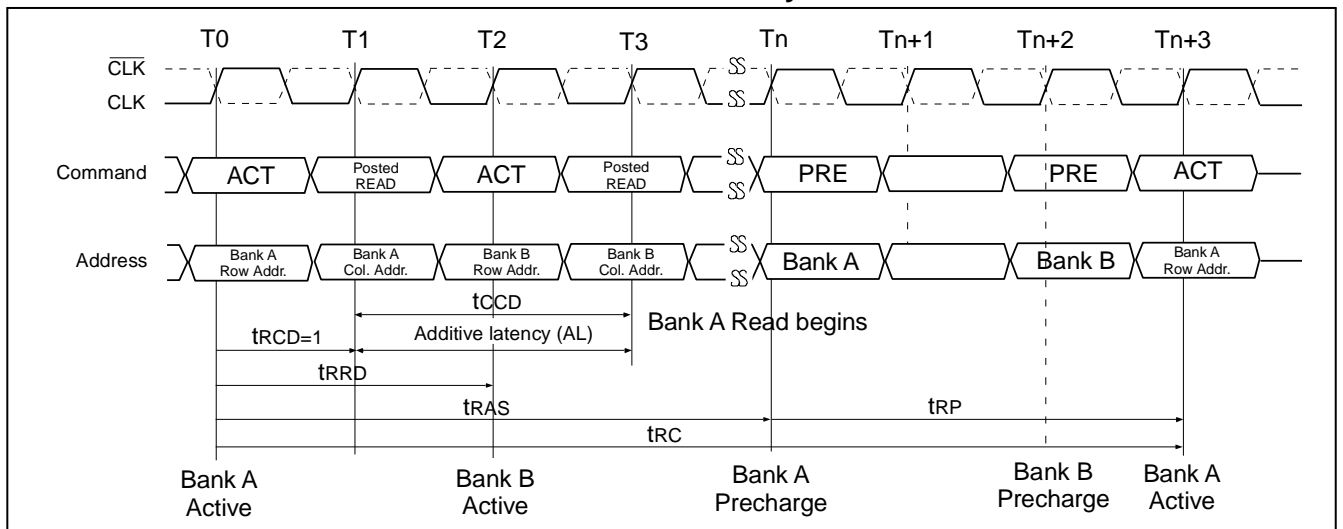
**NOP & Device Deselect**

The device should be deselected by deactivating the  $\overline{CS}$  signal. In this mode, DDR2 SDRAM would ignore all the control inputs. The DDR2 SDRAM are put in NOP mode when  $\overline{CS}$  is active and by deactivating  $\overline{RAS}$ ,  $\overline{CAS}$  and  $\overline{WE}$ . For both Deselect and NOP, the device should finish the current operation when this command is issued.

**Bank Active**

The Bank Active command is issued by holding  $\overline{CAS}$  and  $\overline{WE}$  HIGH with  $\overline{CS}$  and  $\overline{RAS}$  LOW at the rising edge of the clock (CLK). The DDR2 SDRAM has four independent banks, so two Bank Select addresses (BA0, BA1) are required. The Bank Active command to the first Read or Write command must meet or exceed the minimum of  $\overline{RAS}$  to  $\overline{CAS}$  delay time ( $t_{RCD}(\text{min.})$ ). Once a bank has been activated, it must be precharged before another Bank Active command can be applied to the same bank. The minimum time interval between interleaved Bank Active command (Bank A to Bank B and vice versa) is the Bank to Bank delay time ( $t_{RRD} \text{ min.}$ ).

**Bank Active Command Cycle**



**Read Bank**

This command is used after the Bank Active command to initiate the burst read of data. The Read command is initiated by activating  $\overline{CS}$ ,  $\overline{CAS}$ , and deasserting  $\overline{WE}$  at the same clock sampling (rising) edge as described in the command truth table. The length of the burst and the  $\overline{CAS}$  latency time will be determined by the values programmed during the MRS command.

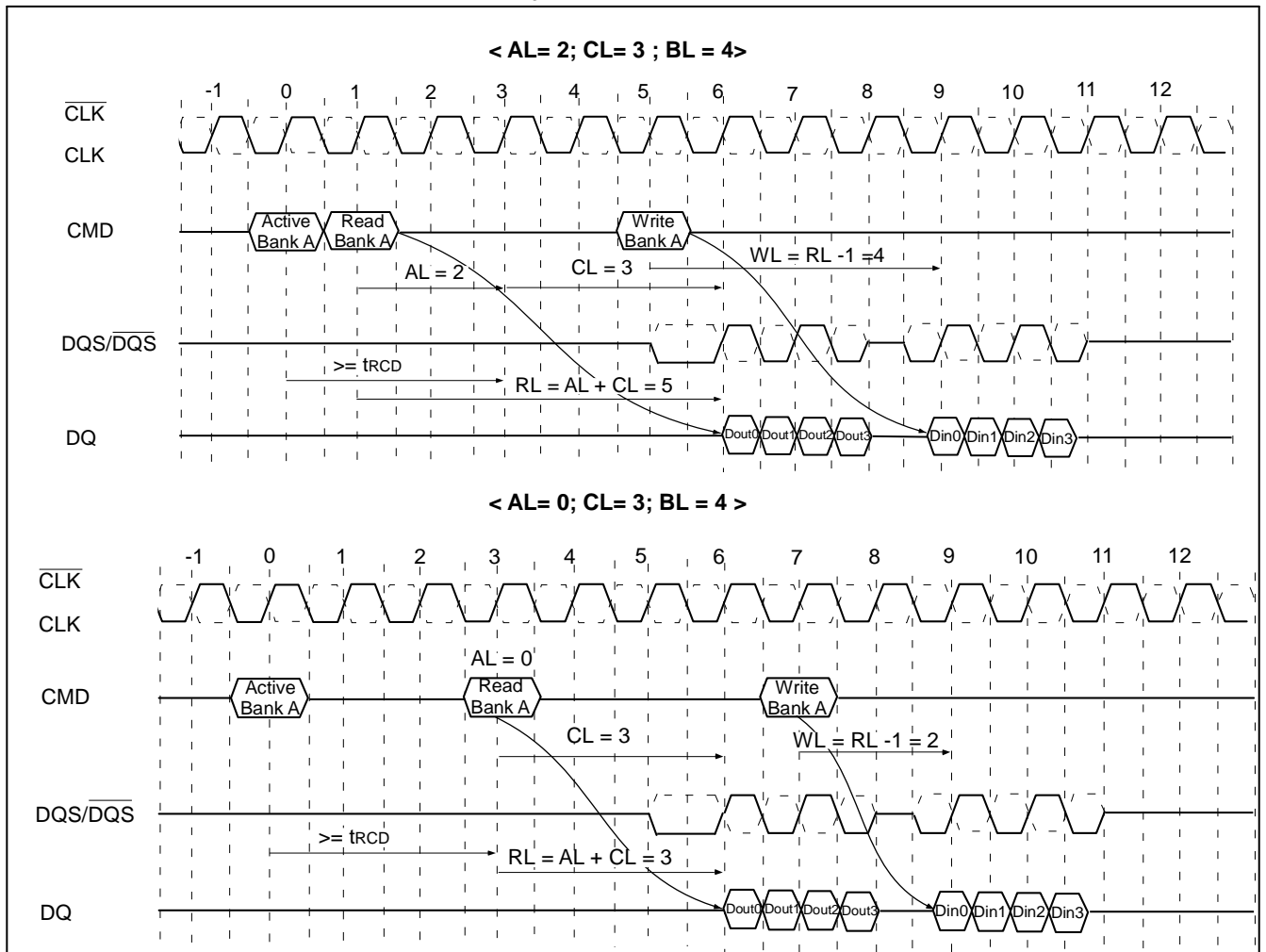
**Write Bank**

This command is used after the Bank Active command to initiate the burst write of data. The Write command is initiated by activating  $\overline{CS}$ ,  $\overline{CAS}$ , and  $\overline{WE}$  at the same clock sampling (rising) edge as describe in the command truth table. The length of the burst will be determined by the values programmed during the MRS command.

**Posted CAS**

Posted  $\overline{CAS}$  operation is supported to make command and data bus efficient for sustainable bandwidths in DDR2 SDRAM. In this operation, the DDR2 SDRAM allows a Read or Write command to be issued immediately after the Bank Active command (or any time during the  $t_{RRD}$  period). The command is held for the time of the Additive Latency (AL) before it is issued inside the device. The Read Latency (RL) is controlled by the sum of AL and the  $\overline{CAS}$  latency (CL). Therefore if a user chooses to issue a R/W command before the  $t_{RCD}(\min)$ , then AL (greater than 0) must be written into the EMRS(1). The Write Latency (WL) is always defined as  $RL - 1$  (read latency -1) where read latency is defined as the sum of additive latency plus  $\overline{CAS}$  latency ( $RL=AL+CL$ ). Read or Write operations using AL allow seamless bursts.

**Read followed by a Write to the Same Bank**



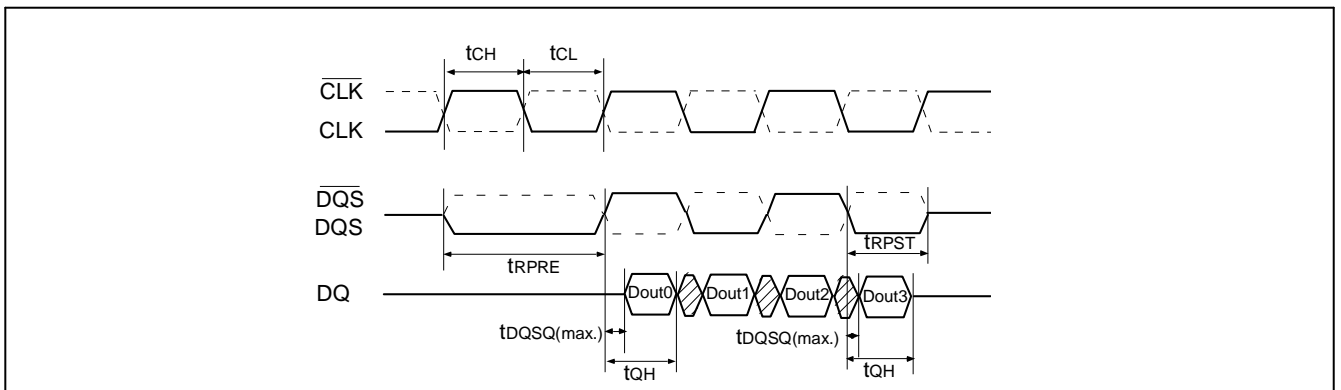
**Essential Functionality for DDR2 SDRAM**

**Burst Read Operation**

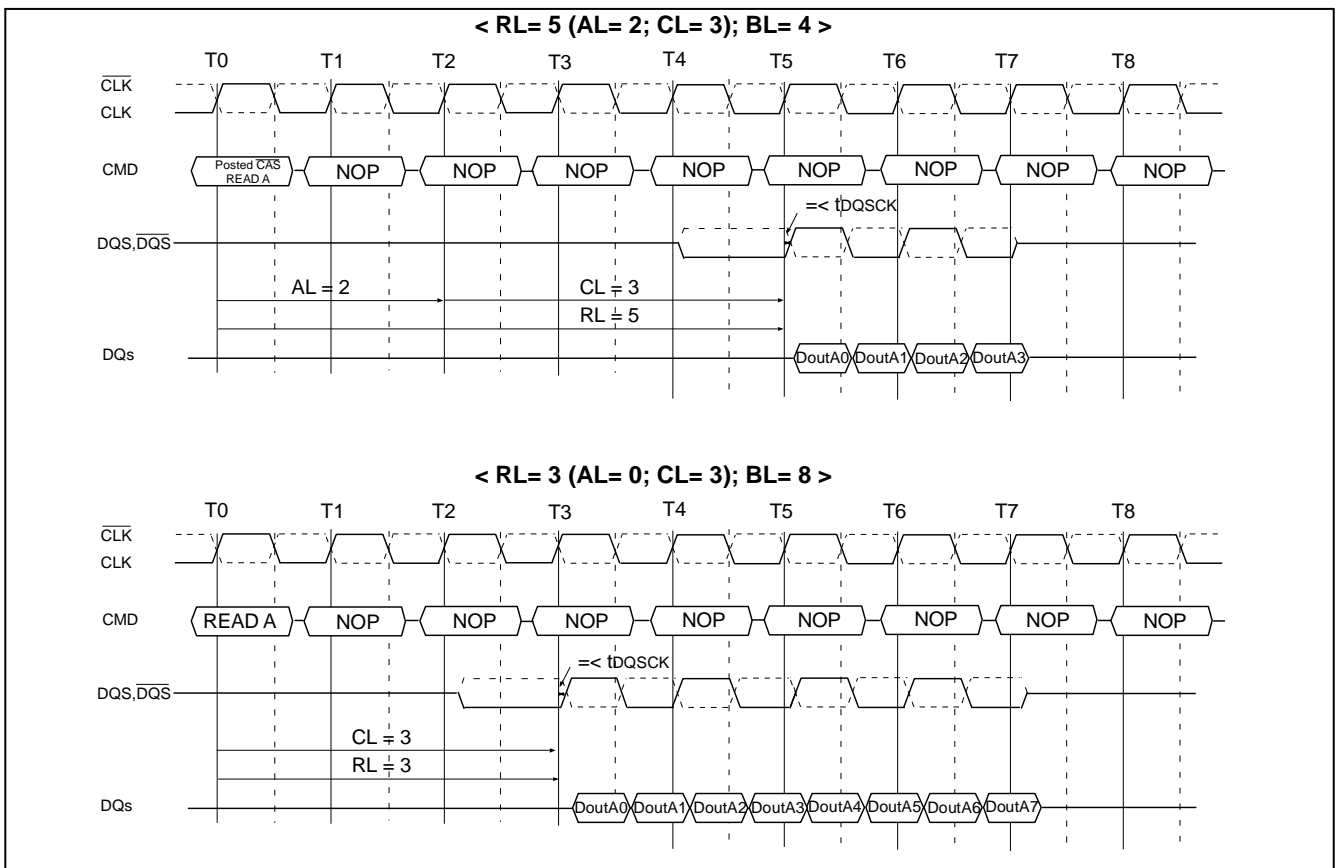
The Burst Read command is initiated by having  $\overline{\text{CS}}$  and  $\overline{\text{CAS}}$  LOW while holding  $\overline{\text{RAS}}$  and  $\overline{\text{WE}}$  HIGH at the rising edge of the clock. The address inputs determine the starting column address for the burst. The delay from the start of the command to when the data from the first cell appears on the outputs is equal to the value of the read latency (RL). The DQS is driven LOW 1 clock cycle before valid data (DQ) is driven onto the data bus. The first bit of the burst is synchronized with the rising edge of DQS. Each subsequent data-out appears on the DQ pin in phase with the DQS signal in a source synchronous manner.

The RL is equal to an additive latency (AL) plus  $\overline{\text{CAS}}$  latency (CL). The CL is defined by the MRS and the AL is defined by the EMRS(1).

**Read (Data Output) Timing**

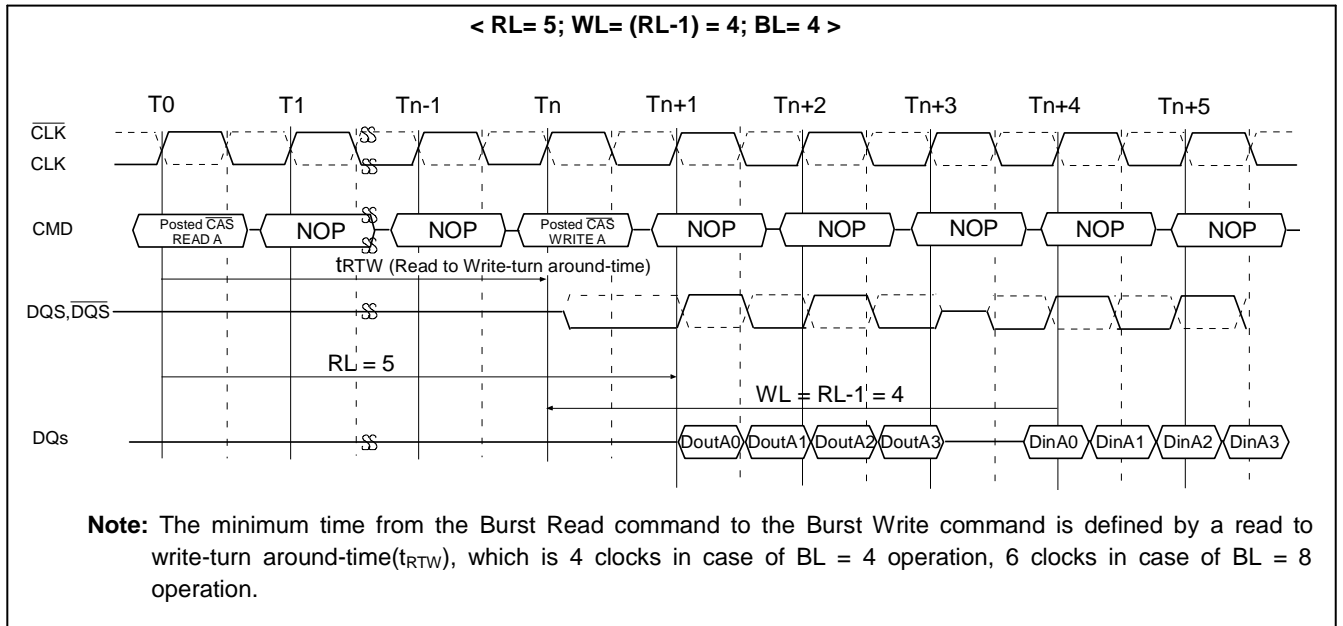


**Burst Read**

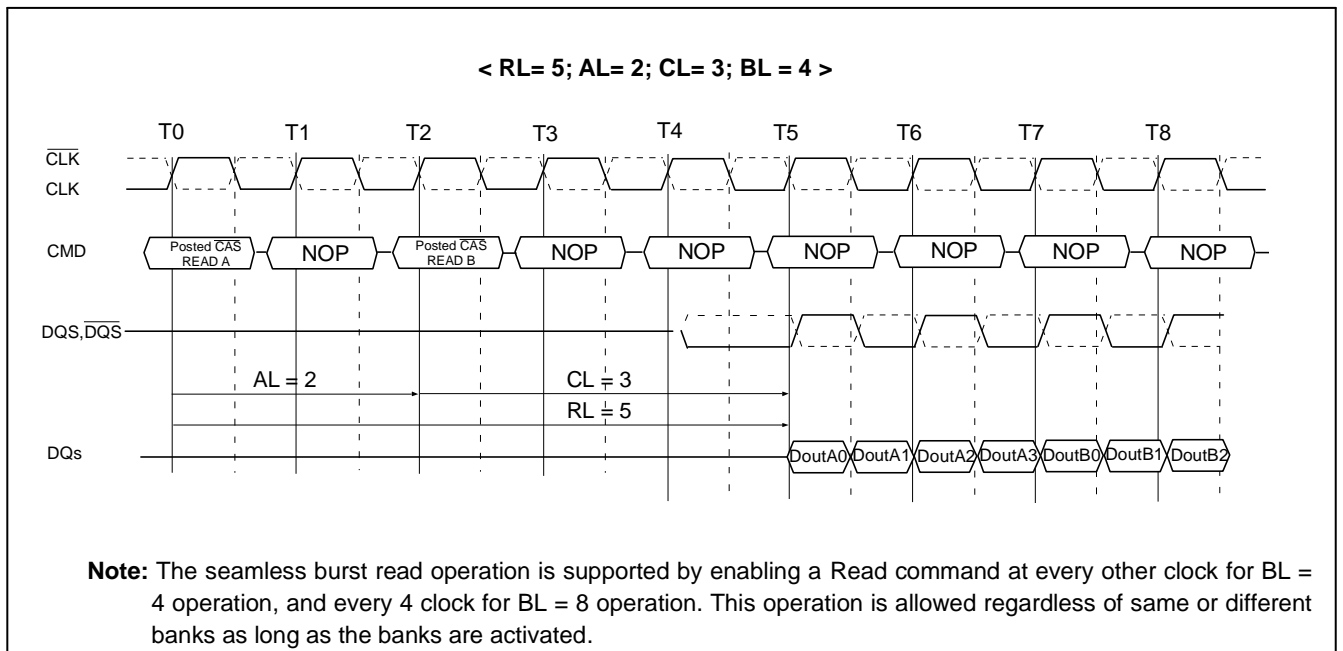




**Burst Read followed by Burst Write**



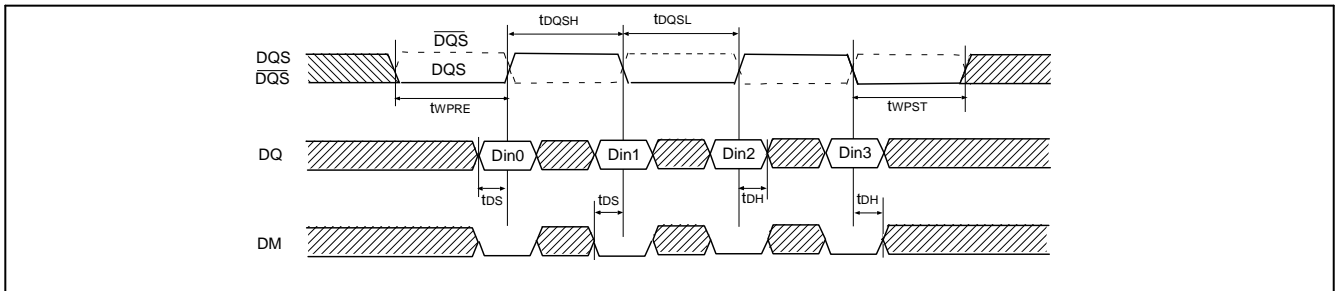
**Seamless Burst Read**



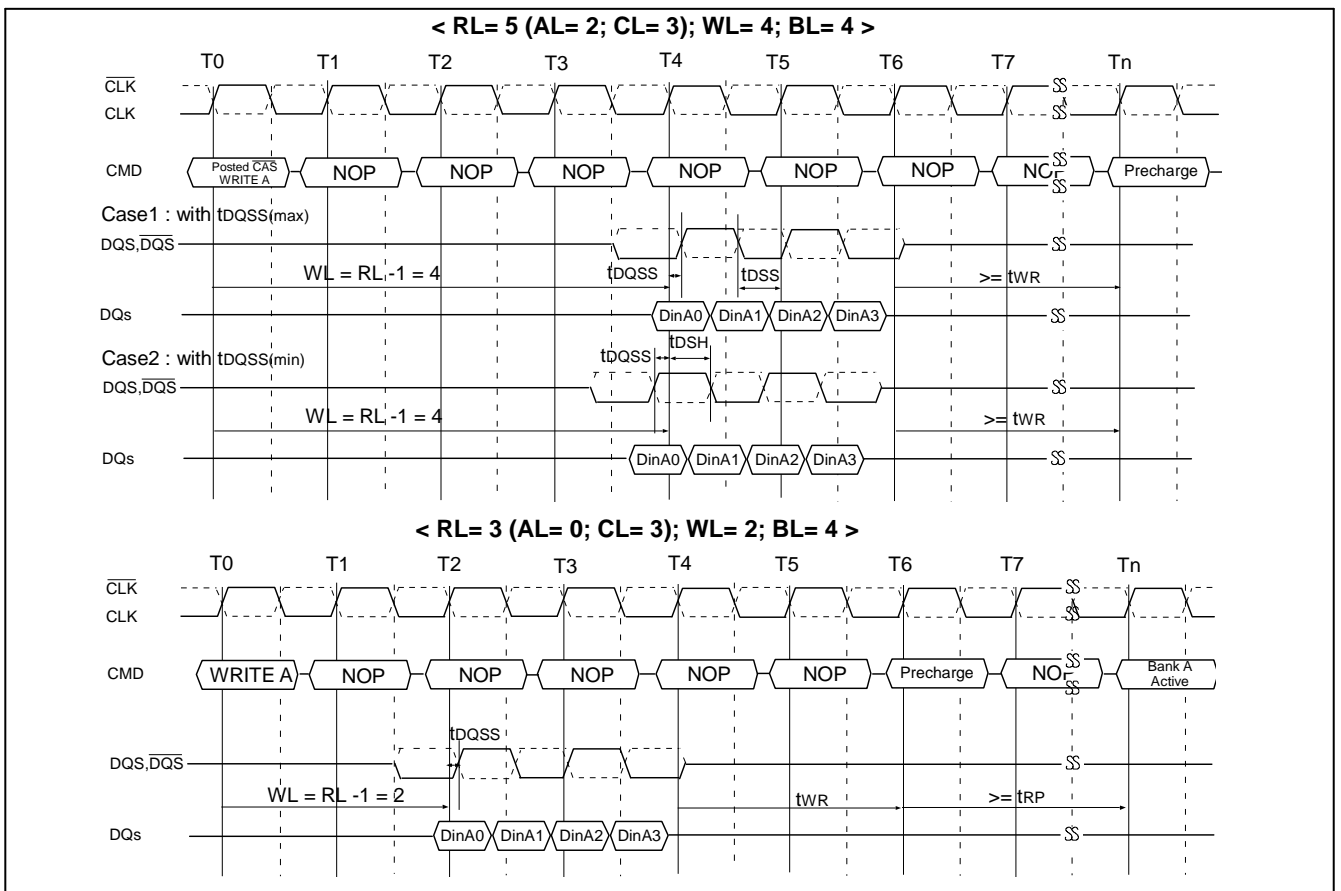
**Burst Write Operation**

The Burst Write command is issued by having  $\overline{CS}$ ,  $\overline{CAS}$  and  $\overline{WE}$  LOW while holding  $\overline{RAS}$  HIGH at the rising edge of the clock (CLK). The address inputs determine the starting column address. Write latency (WL) is defined by a read latency (RL) minus one and is equal to  $(AL + CL - 1)$ ; and is the number of clocks of delay that are required from the time the write command is registered to the clock edge associated to the first DQS strobe. A data strobe signal (DQS) should be driven low (preamble) one clock prior to the WL. The first data bit of the burst cycle must be applied to the DQ pins at the first rising edge of the DQS following the preamble. The  $t_{DQSS}$  specification must be satisfied for each positive DQS transition to its associated clock edge during write cycles. The subsequent burst bit data are issued on successive edges of the DQS until the burst length is completed, which is 4 or 8 bit burst. When the burst has finished, any additional data supplied to the DQ pins will be ignored. The DQ signal is ignored after the burst write operation is complete. The time from the completion of the burst write to bank precharge is the write recovery time ( $t_{WR}$ ).

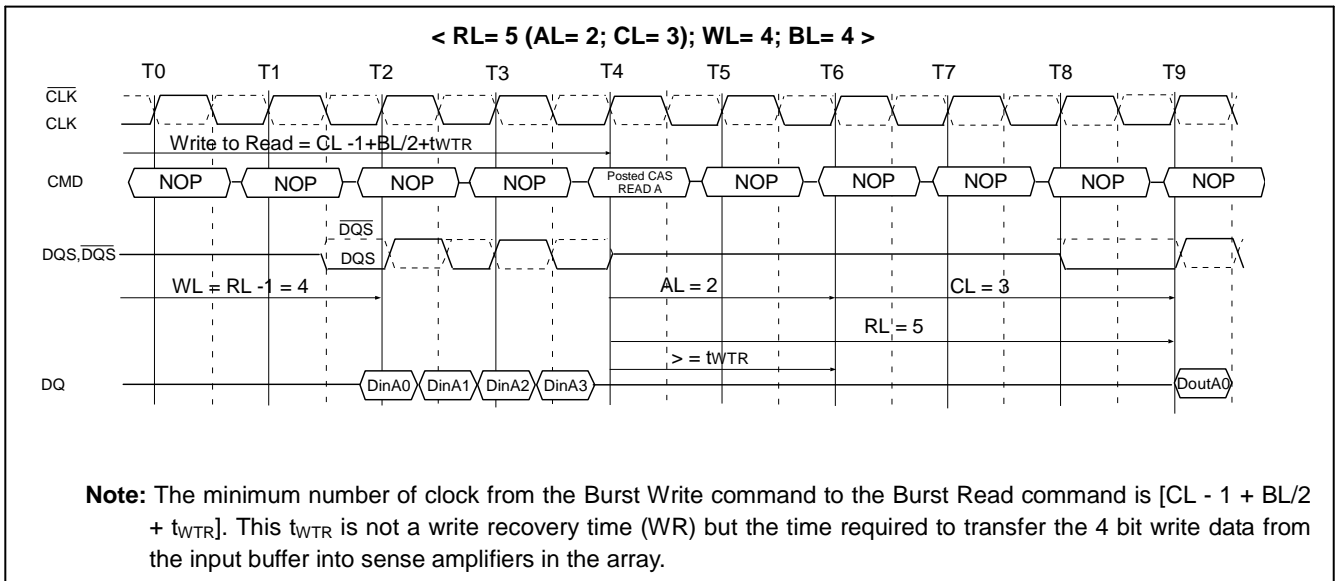
**Write (Data Input) Timing**



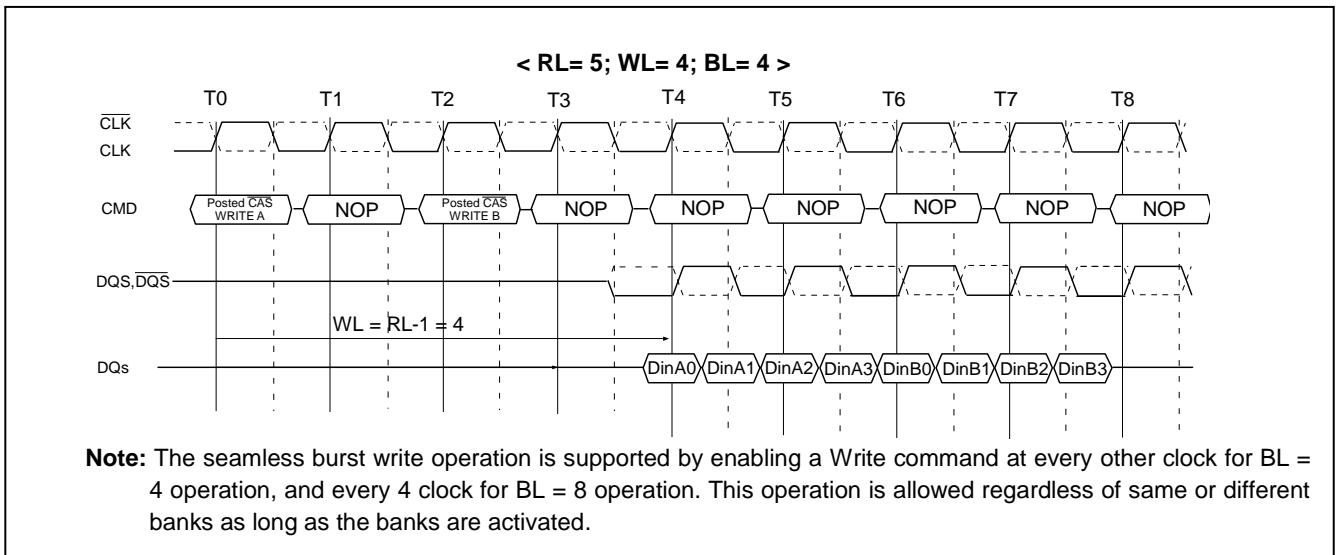
**Burst Write**



**Burst Write followed by Burst Read**

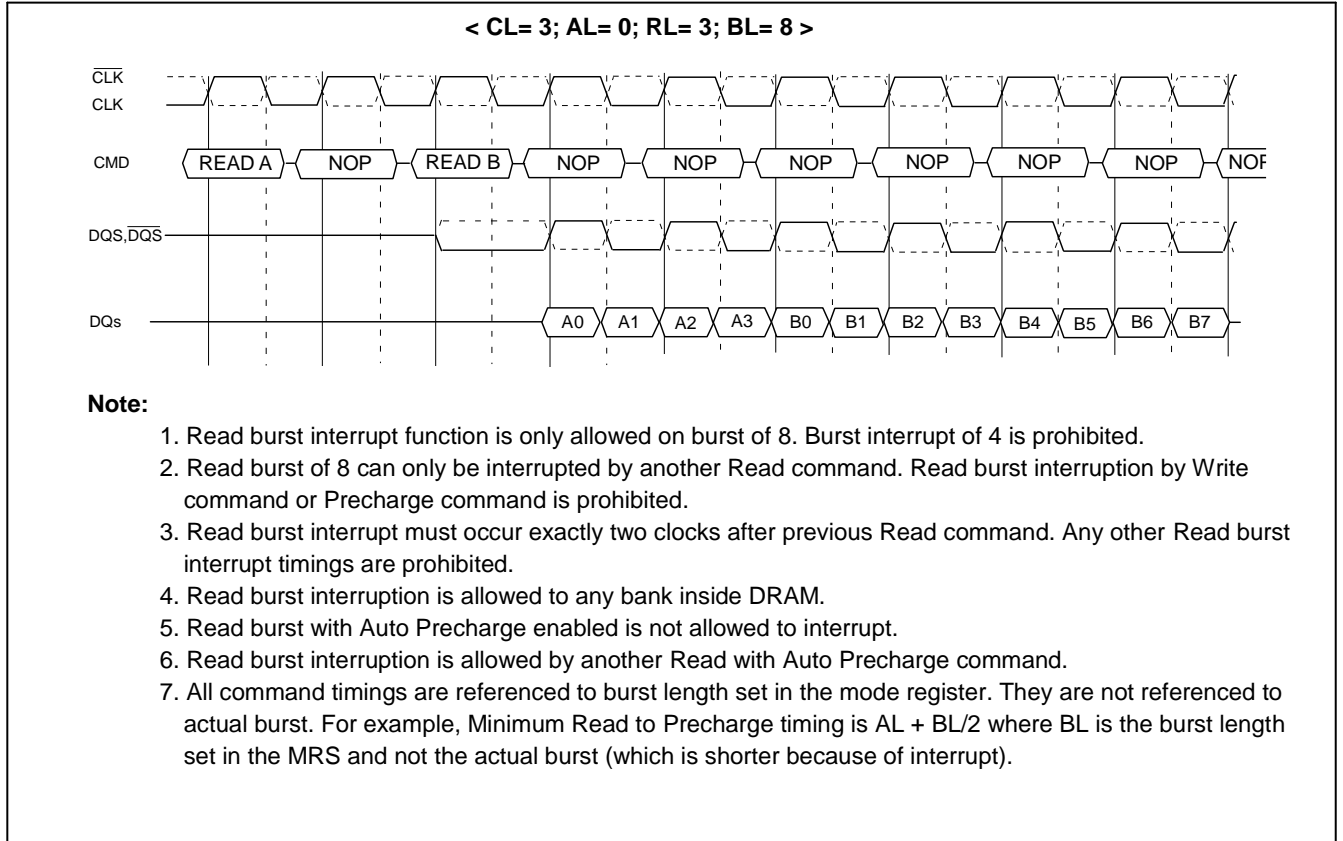


**Seamless Burst Write**



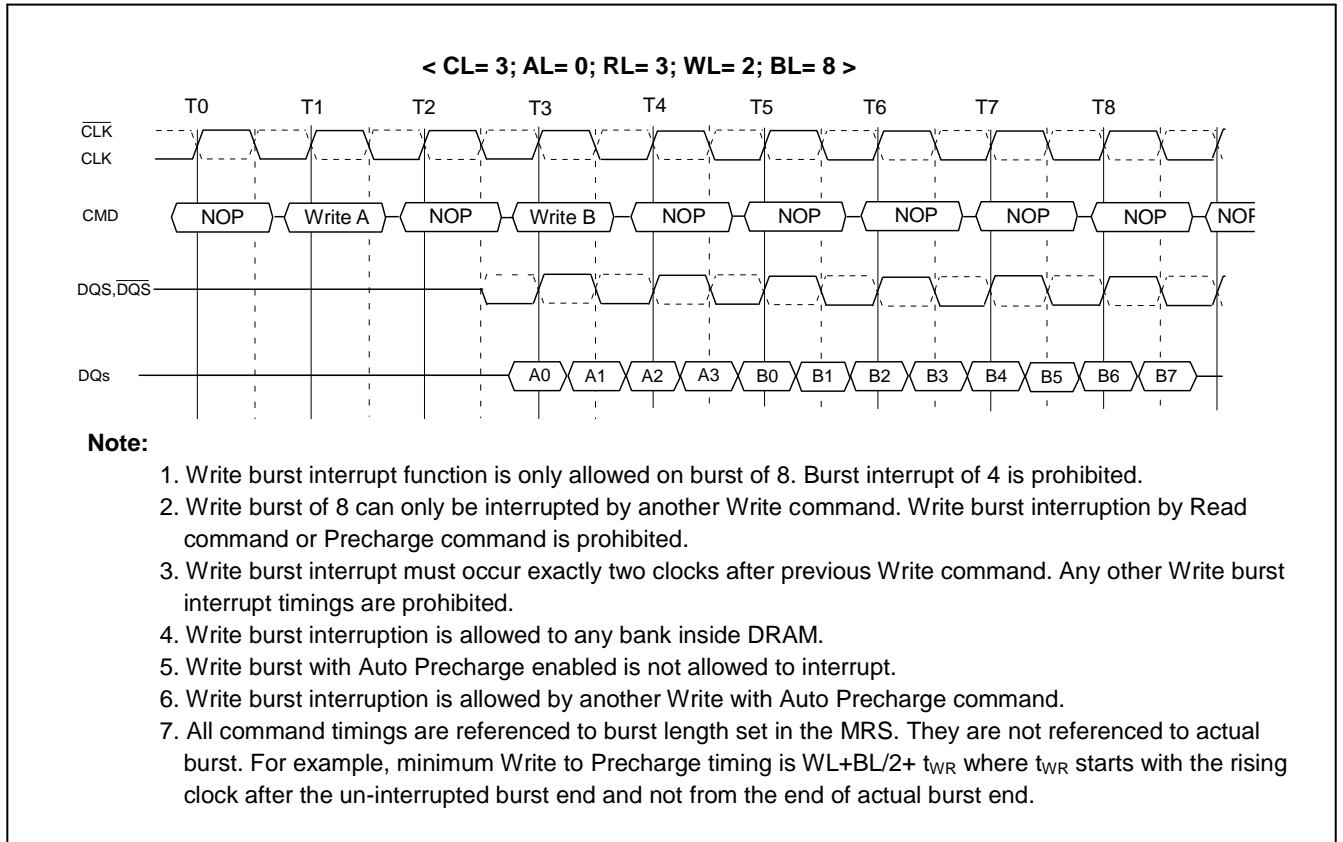
**Read Interrupted by a Read**

Burst Read can only be interrupted by another read with 4 bit burst boundary. Any other case of read interrupt is not allowed.



**Write Interrupted by a Write**

Burst Write can only be interrupted by another Write with 4 bit burst boundary. Any other case of Write interrupt is not allowed.

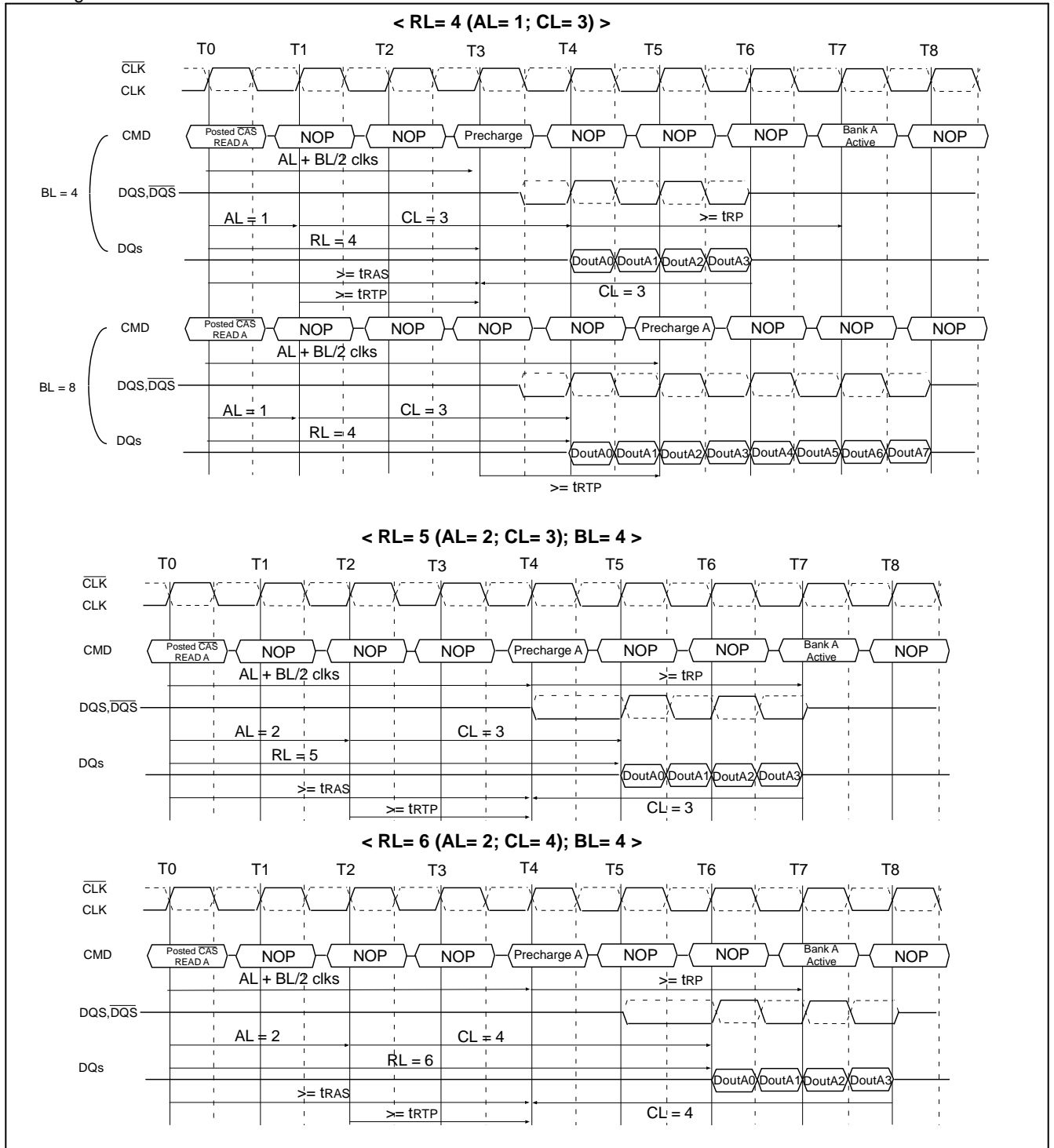


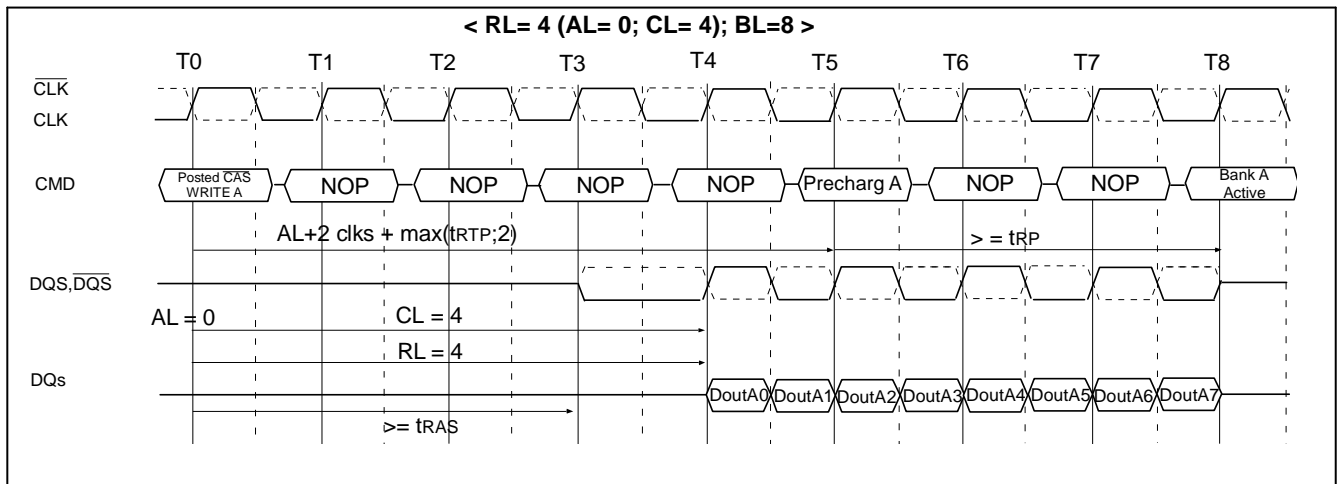
**Burst Read Followed by Precharge**

Minimum Read to Precharge command spacing to the same bank =  $AL + BL/2 + \max(t_{RTP}, 2) - 2$  clocks.

For the earliest possible Precharge, the Precharge command may be issued on the rising edge which is “Additive latency (AL) + BL/2 clocks” after a Read command. A new Bank Active command may be issued to the same bank after the Precharge time ( $t_{RP}$ ). A Precharge command cannot be issued until  $t_{RAS}$  is satisfied.

The minimum Read to Precharge spacing has also to satisfy a minimum analog time from the rising clock edge that initiates the last 4-bit prefetch of a Read to Precharge command. This time is called  $t_{RTP}$  (Read to Precharge). For BL = 4, this is the time from the actual read (AL after the Read command) to Precharge command. For BL = 8, this is the time from AL + 2 clocks after the Read to the Precharge command.

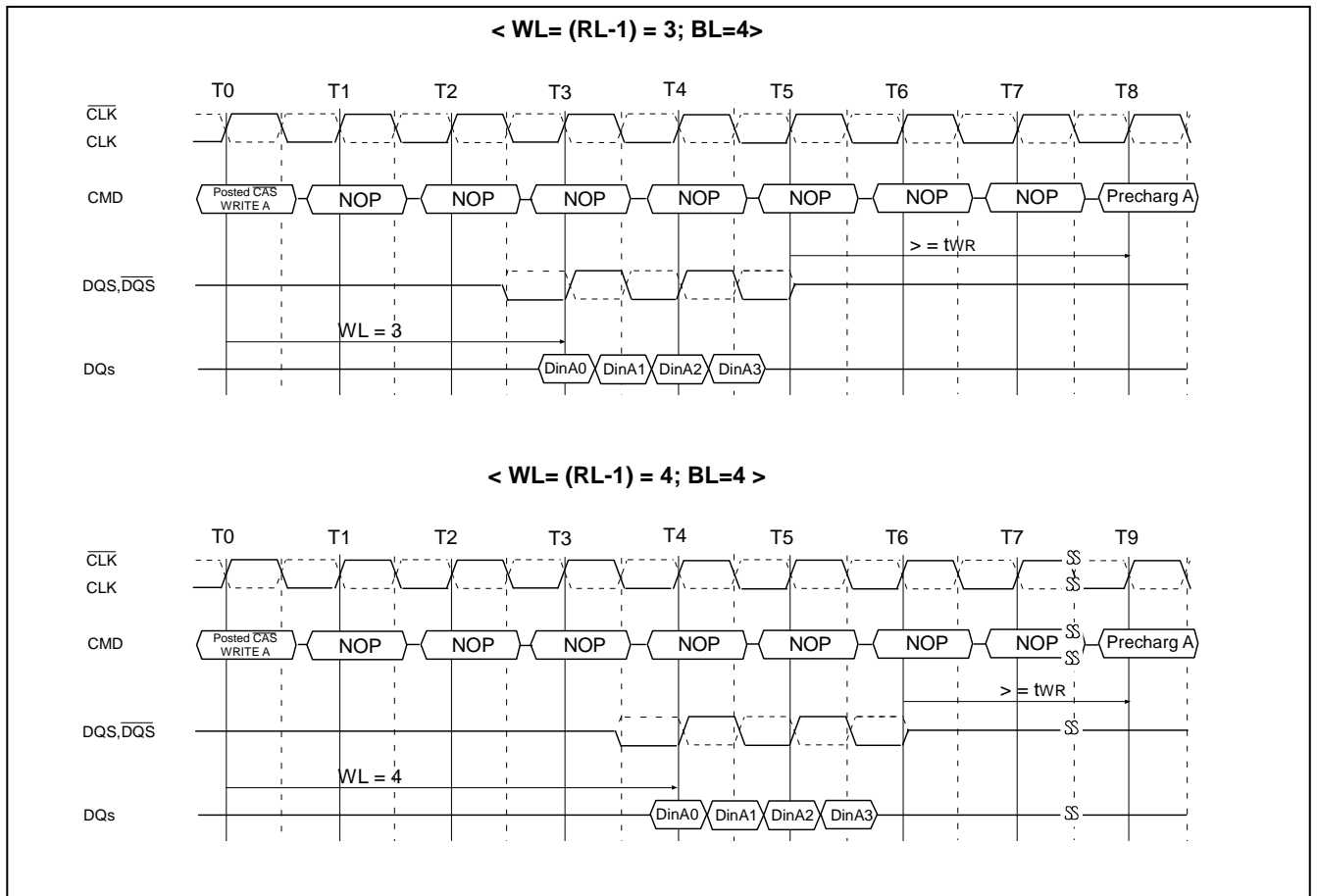




**Burst Write Followed by Precharge**

Minimum Write to Precharge command spacing to the same bank =  $WL + BL/2$  clocks +  $t_{WR}$ .

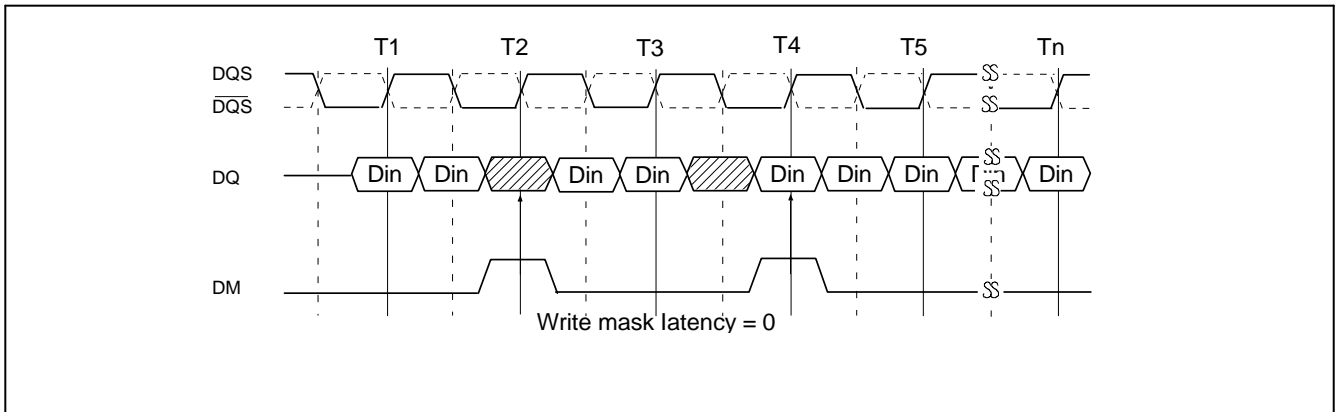
For write cycles, a delay must be satisfied from the completion of the last burst write cycle until the Precharge command can be issued. This delay is known as a write recovery time ( $t_{WR}$ ) referenced from the completion of the Burst Write to the Precharge command. No Precharge command should be issued prior to the  $t_{WR}$  delay.



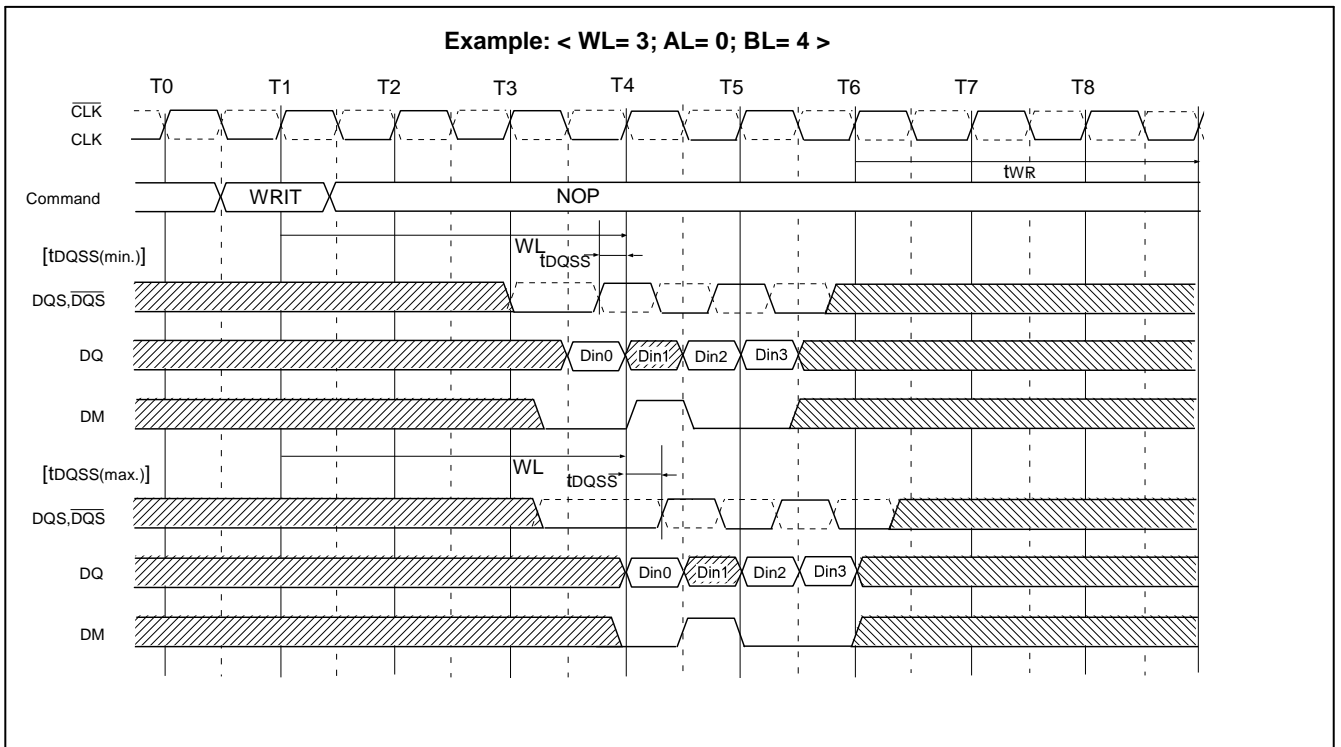
**Write data mask by DM**

One write data mask (DM) pin for each 8 data bits (DQ) will be supported on DDR2 SDRAM, Consistent with the implementation on DDR2 SDRAM. It has identical timings as the data bits, and though used in a uni-directional manner, is internally loaded identically to data bits to insure matched system timing. DM is not used during read cycles.

**Data Mask Timing**



**Example: < WL= 3; AL= 0; BL= 4 >**



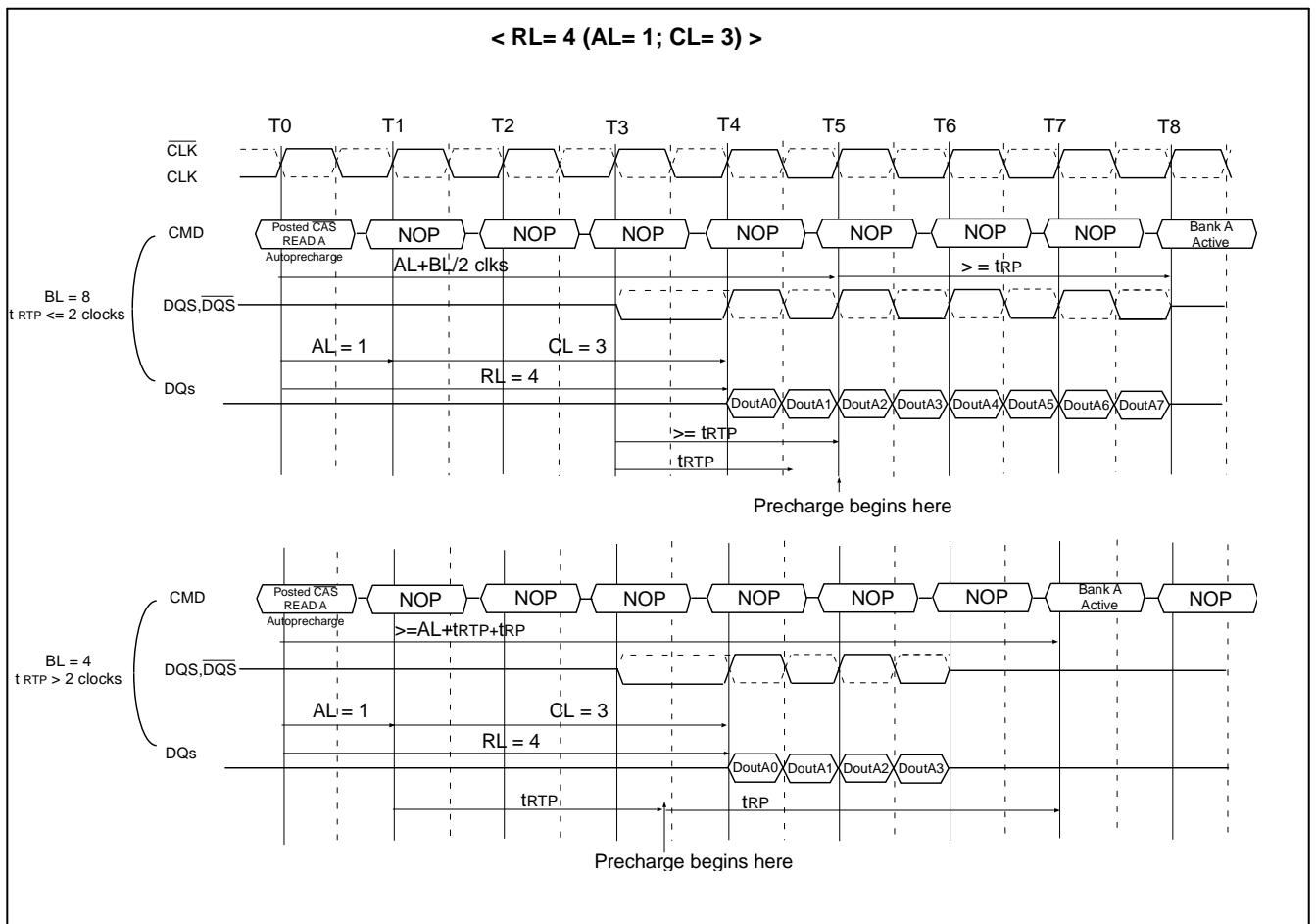


**Read with Auto Precharge**

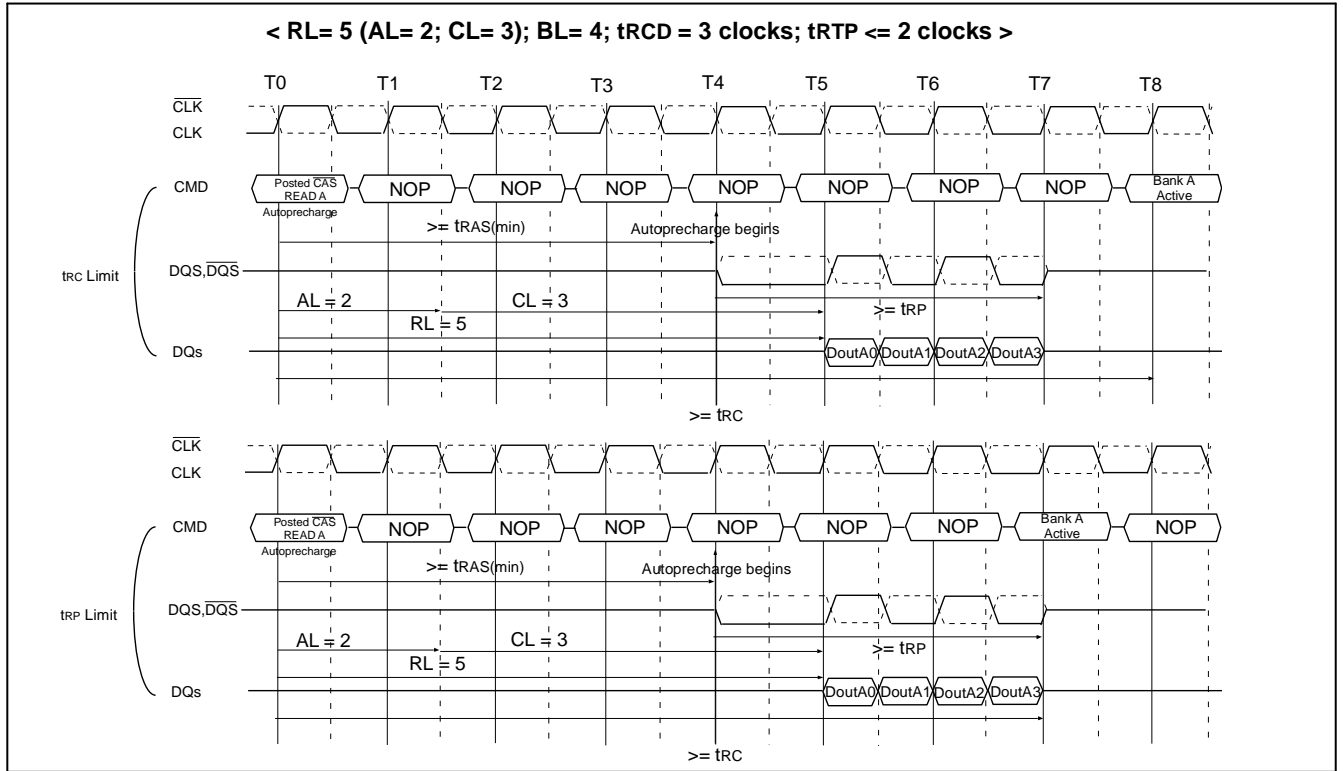
If A10 is HIGH when a Read command is issued, the Read with Auto Precharge function is engaged. The device starts an Auto Precharge operation on the rising edge which is  $(AL + BL/2)$  cycles later than the Read with AP command if  $t_{RAS}(min)$  and  $t_{RTP}(min)$  are satisfied.

If  $t_{RAS}(min)$  is not satisfied at the edge, the start point of Auto Precharge operation will be delayed until  $t_{RAS}(min)$  is satisfied. If  $t_{RTP}(min)$  is not satisfied at the edge, the start point of Auto Precharge operation will be delayed until  $t_{RTP}(min)$  is satisfied.

In case the internal precharge is pushed out by  $t_{RTP}$ ,  $t_{RP}$  starts at the point where the internal precharge happens (not at the next rising clock edge after this event). So for  $BL = 4$ , the minimum time from Read\_AP to the next Bank Active command becomes  $AL + (t_{RTP} + t_{RP})^*$ . For  $BL = 8$ , the time from Read\_AP to the next Bank Active command is  $AL + 2 + (t_{RTP} + t_{RP})^*$ . (Note: "\*" means "rounded up to the next integer").



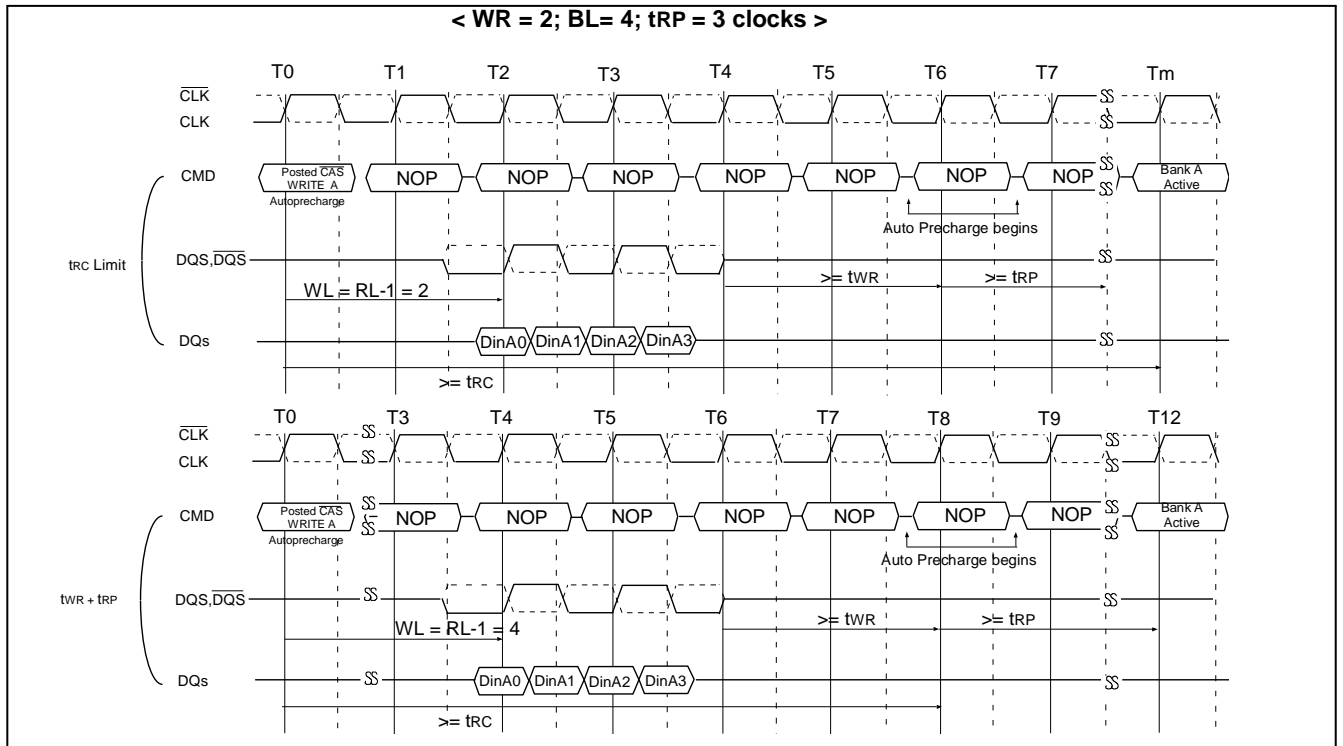
- A new Bank Active command may be issued to the same bank if the following two conditions are satisfied simultaneously.
- (1) The Precharge time ( $t_{RP}$ ) has been satisfied from the clock at which the Auto Precharge begins.
  - (2) The RAS cycle time ( $t_{RC}$ ) from the previous bank activation has been satisfied.



**Write with Auto Precharge**

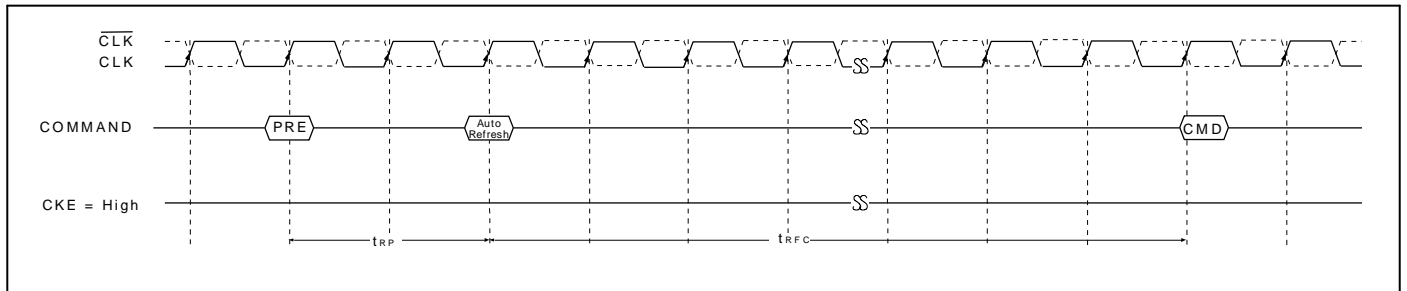
If A10 is HIGH when a Write command is issued, the Write with Auto Precharge function is engaged (If  $t_{CK} < 1.875ns$ , the device can not support Write with Auto Precharge function). The device automatically begins precharge operation after the completion of the burst write plus write recovery time ( $t_{WR}$ ). The Bank Active command undergoing Auto Precharge from the completion of the write burst may be reactivated if the following two conditions are satisfied.

- (1) The data-in to bank activate delay time ( $t_{WR} + t_{RP}$ ) has been satisfied.
- (2) The RAS cycle time ( $t_{RC}$ ) from the previous bank activation has been satisfied.



**Auto Refresh & Self Refresh****Auto Refresh**

An Auto Refresh command is issued by having  $\overline{CS}$ ,  $\overline{RAS}$  and  $\overline{CAS}$  held LOW with CKE and  $\overline{WE}$  HIGH at the rising edge of the clock (CLK). All banks must be precharged and idle for  $t_{RP}(\text{min})$  before the Auto Refresh command is applied. An address counter, internal to the device, supplies the bank address during the refresh cycle. No control of the external address bus is required once this cycle has started. When the refresh cycle has completed, all banks will be in the idle state. A delay between the Auto Refresh command and the next Bank Active command or subsequent Auto Refresh command must be greater than or equal to the  $t_{RFC}(\text{min})$ . To allow for improved efficiency in scheduling and switching between tasks, some flexibility in the absolute refresh interval is provided. A maximum of eight Refresh commands can be posted, meaning that the maximum absolute interval between any Refresh command and the next Refresh command is  $9 \times t_{REFI}$ .

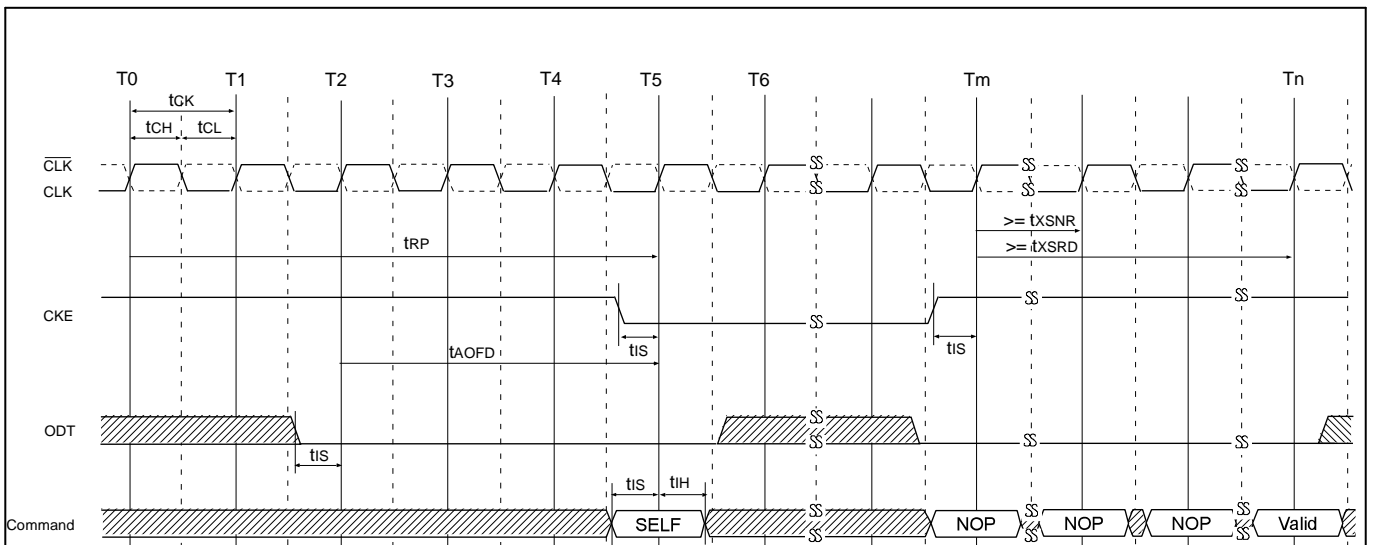


**Self Refresh**

A Self Refresh command is defined by having  $\overline{CS}$ ,  $\overline{RAS}$ ,  $\overline{CAS}$  and CKE held LOW with  $\overline{WE}$  HIGH at the rising edge of the clock (CLK). ODT must be turned off before issuing Self Refresh command, by either driving ODT pin low or using EMRS(1) command. Once the command is registered, CKE must be held LOW to keep the device in Self Refresh mode. The DLL is automatically disabled upon entering Self Refresh and is automatically enabled upon exiting Self Refresh. When the device has entered Self Refresh mode, all of the external signals except CKE, are “don't care”.

For proper Self Refresh operation all power supply pins ( $V_{DD}$ ,  $V_{DDQ}$ ,  $V_{DDL}$  and  $V_{REF}$ ) must be at valid levels. The device initiates a minimum of one refresh command internally within  $t_{CKE}$  period once it enters Self Refresh mode. The clock is internally disabled during Self Refresh operation to save power. Self Refresh mode must be remained  $t_{CKE}$  (min).

The user may change the external clock frequency or halt the external clock one clock after Self Refresh entry is registered, however, the clock must be restarted and stable before the device can exit Self Refresh operation. The procedure for exiting Self Refresh requires a sequence of commands. First, the clock must be stable prior to CKE going back HIGH. Once Self Refresh Exit is registered, a delay of  $t_{XSRD}$ (min) must be satisfied before a valid command can be issued to the device to allow for any internal refresh in progress. CKE must remain HIGH for the entire Self Refresh exit period  $t_{XSRD}$  for proper operation except for Self Refresh re-entry. Upon exit from Self Refresh, the device can be put back into Self Refresh mode after waiting  $t_{XSNR}$ (min) and issuing one Refresh command. NOP or deselect commands must be registered on each positive clock edge during the Self Refresh exit interval  $t_{XSNR}$ . ODT should be turned off during  $t_{XSRD}$ . The use of Self Refresh mode introduces the possibility that an internally timed refresh event can be missed when CKE is raised for exit from Self Refresh mode. Upon exit from Self Refresh, the device requires a minimum of one extra auto refresh command before it is put back into Self Refresh mode.



**Note:**

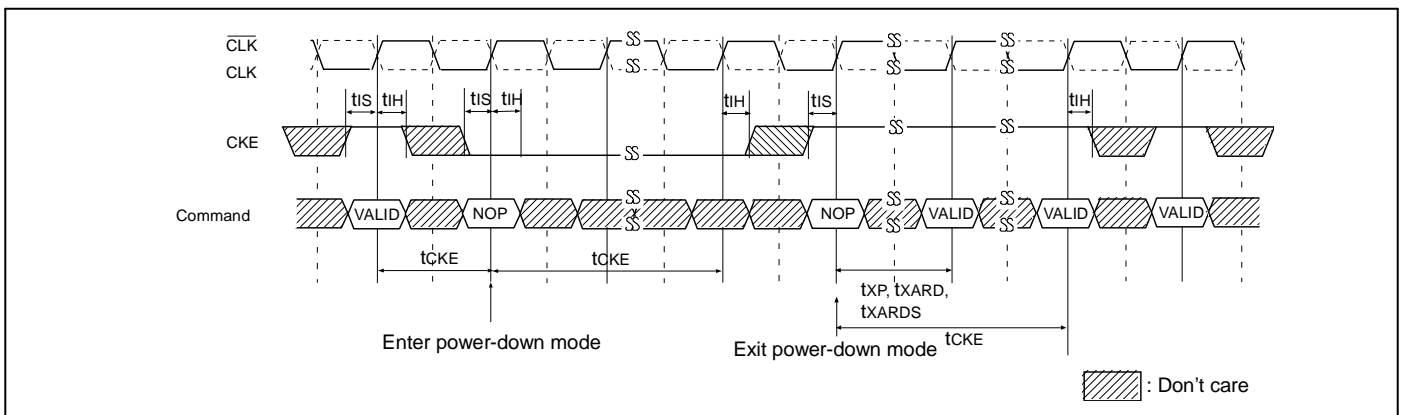
1. Device must be in the “All banks idle” state prior to entering Self Refresh mode.
2. ODT must be turned off  $t_{AOFD}$  before entering Self Refresh mode, and can be turned on again when  $t_{XSRD}$  timing is satisfied.
3.  $t_{XSRD}$  is applied for a Read or a Read with Auto Precharge command.
4.  $t_{XSNR}$  is applied for any command except a Read or a Read with Auto Precharge command.

**Power-Down**

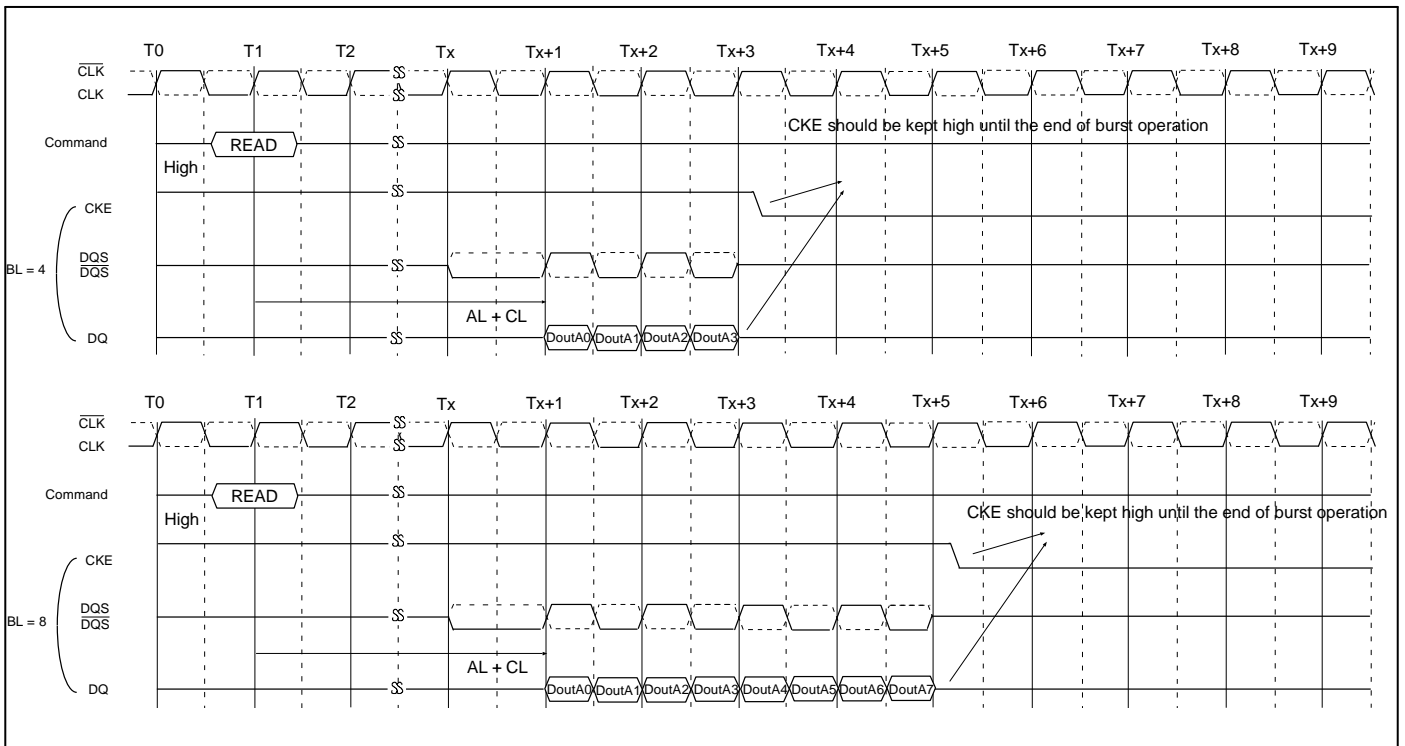
Power-Down is synchronously entered when CKE is registered LOW (no accesses can be in progress). CKE is not allowed to go LOW while MRS or EMRS command time, or read or write operation is in progress. CKE is allowed to go LOW while any of other operations such as Bank Active, Precharge or Auto Precharge, or Auto Refresh is in progress. The DLL should be in a locked state when Power-Down is entered. Otherwise DLL should be reset after exiting Power-Down mode for proper read operation.

If Power-Down occurs when all banks are idle, this mode is referred to as Precharge Power-Down; if Power-Down occurs when there is a Bank Active command in any bank, this mode is referred to as Active Power-Down. Entering Power-Down deactivates the input and output buffers, excluding CLK,  $\overline{\text{CLK}}$ , ODT and CKE. Also the DLL is disabled upon entering Precharge Power-Down or slow exit Active Power-Down, but the DLL is kept enabled during fast exit Active Power-Down. In Power-Down mode, CKE LOW and a stable clock signal must be maintained at the inputs of the device, and ODT should be in a valid state but all other input signals are "Don't Care". CKE LOW must be maintained until  $t_{\text{CKE}}$  has been satisfied. Power-Down duration is limited by 9 times  $t_{\text{REFI}}$  of the device.

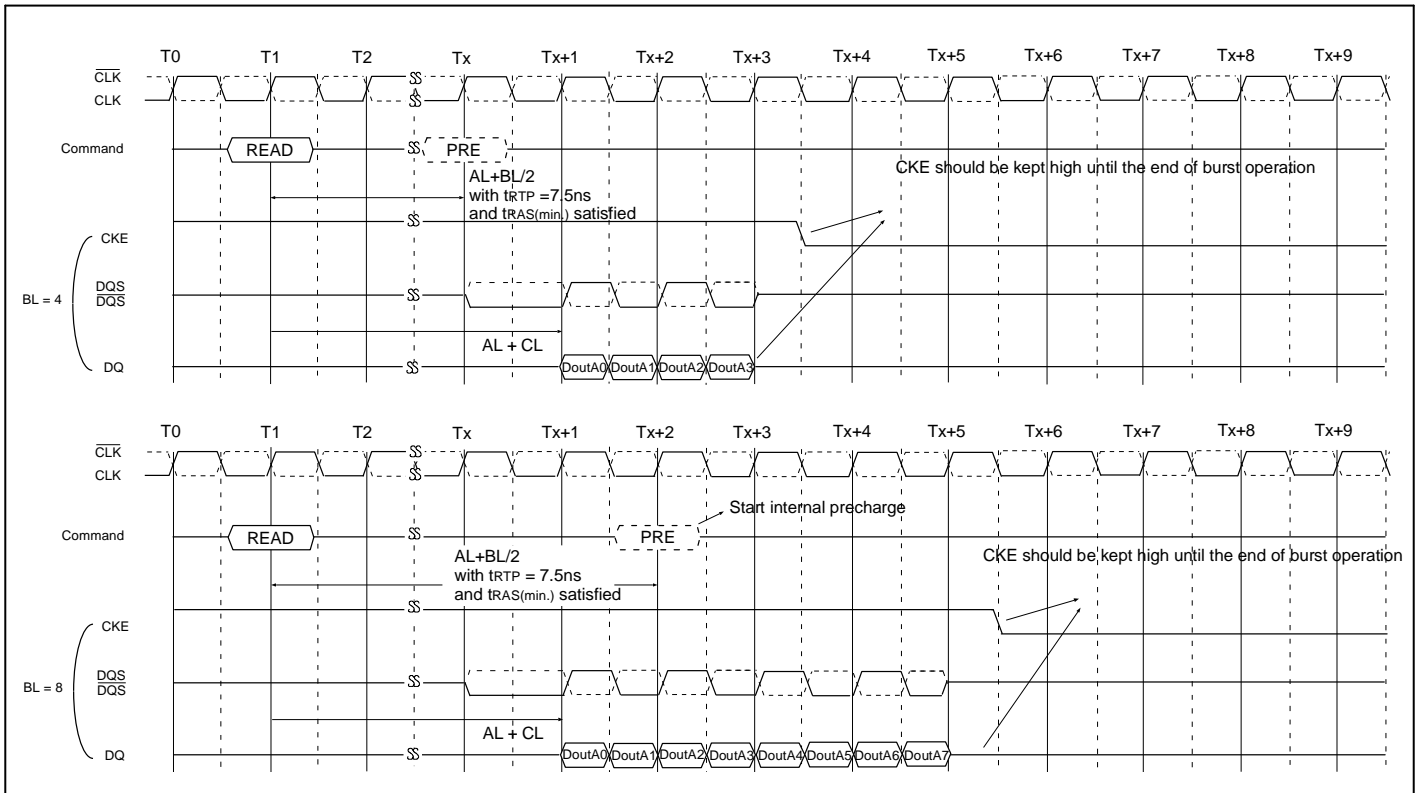
The Power-Down state is synchronously exited when CKE is registered HIGH (along with a NOP or DESELECT command). CKE HIGH must be maintained until  $t_{\text{CKE}}$  has been satisfied. A valid, executable command can be applied with Power-Down exit latency,  $t_{\text{XP}}$ ,  $t_{\text{XARD}}$ , or  $t_{\text{XARDS}}$ , after CKE goes HIGH.



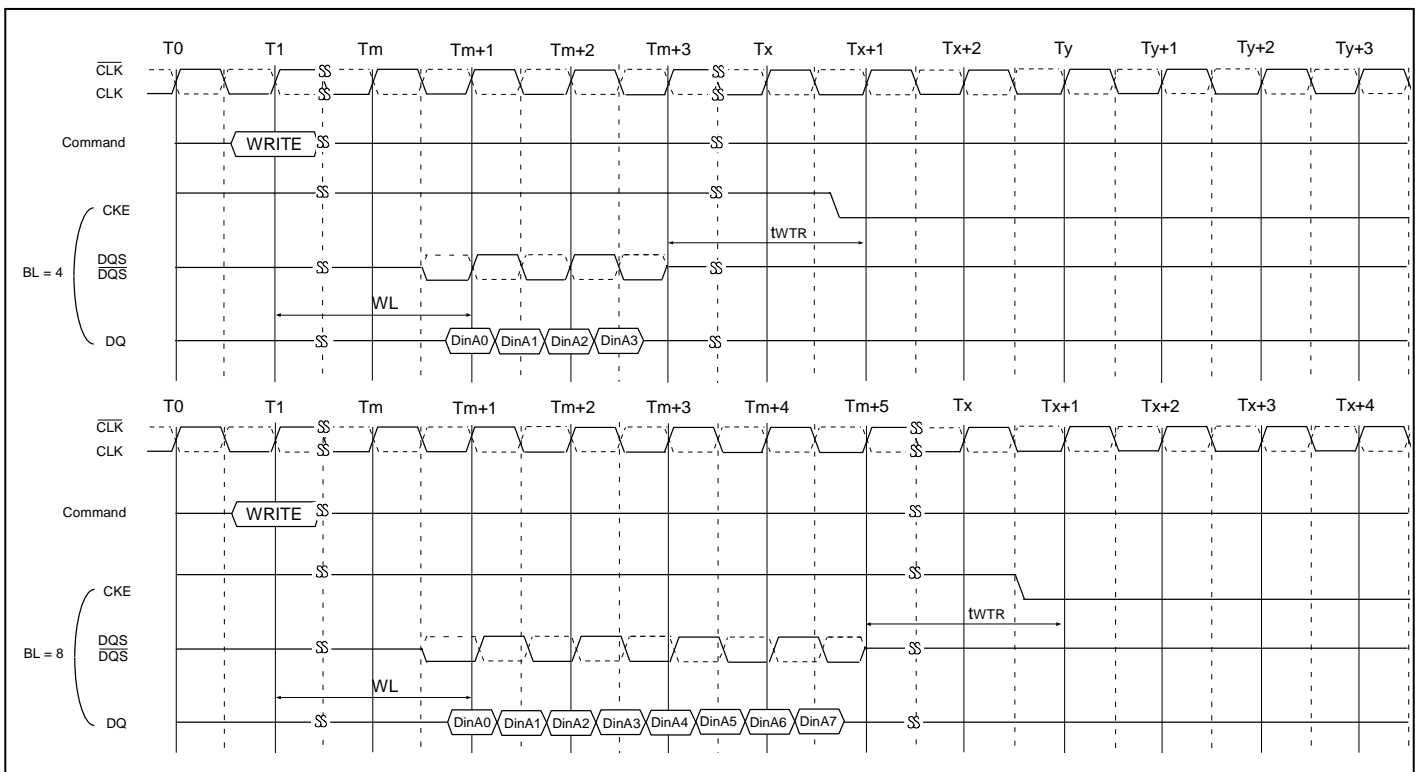
**Read to Power-Down Entry**



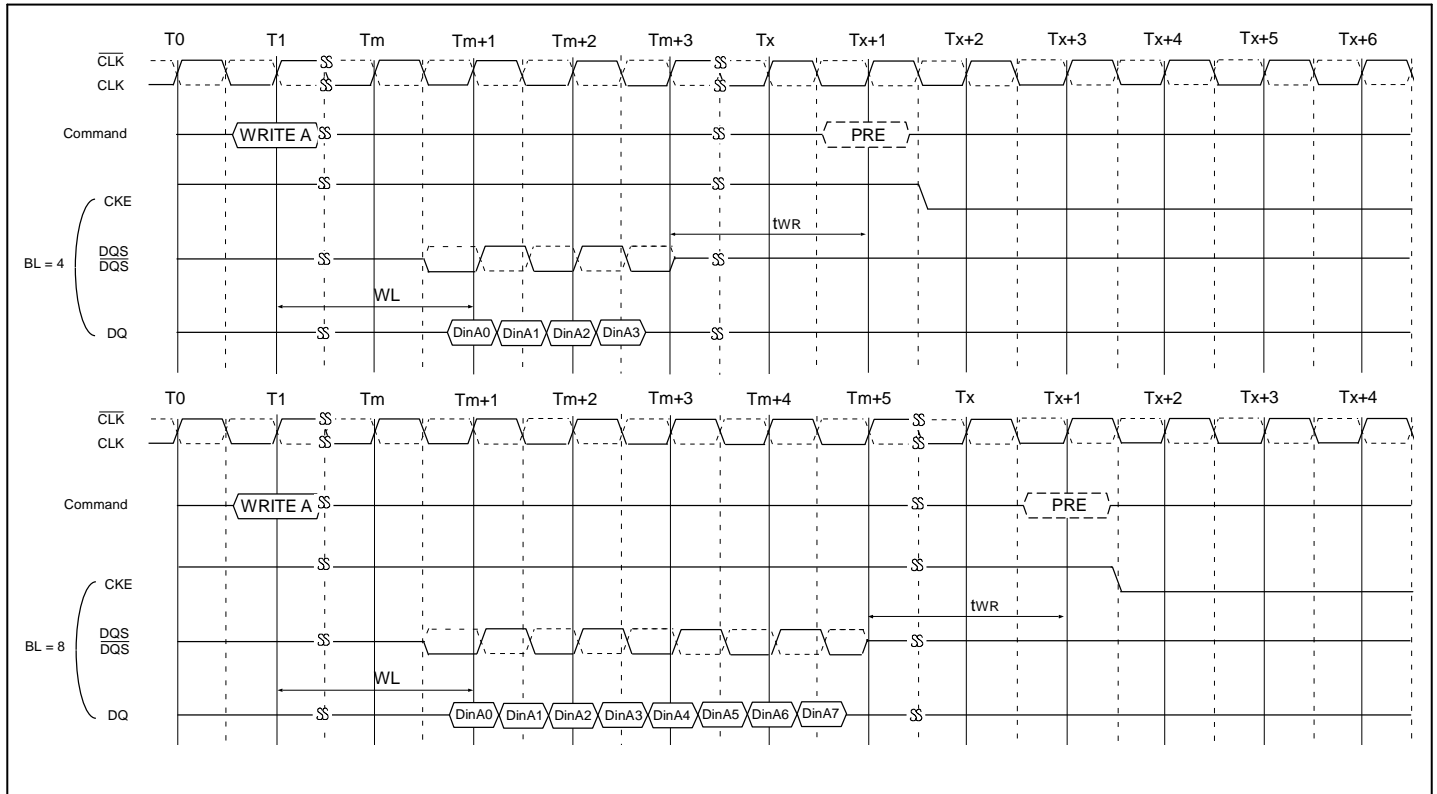
**Read with Auto Precharge to Power-Down Entry**



**Write to Power-Down Entry**

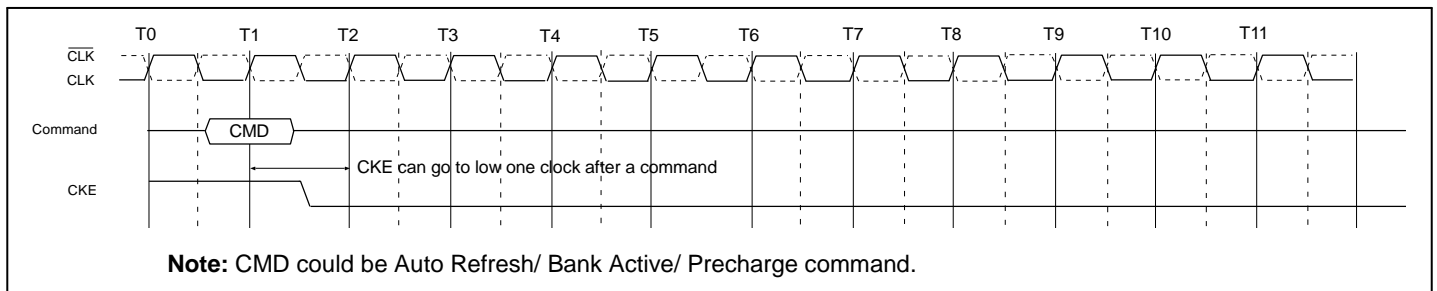


**Write with Auto Precharge to Power-Down Entry**



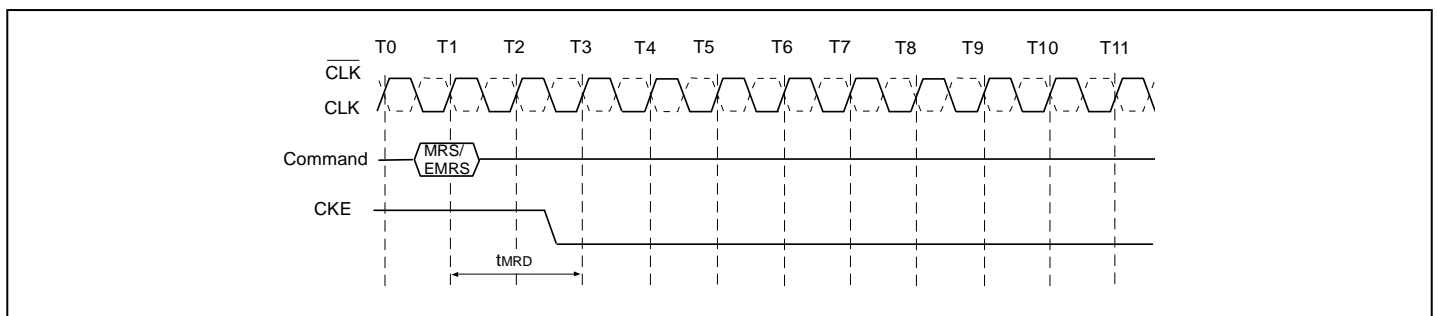
Note: If  $t_{CK} < 1.875ns$ , the device can not support Write with Auto Precharge function.

**Auto Refresh/ Bank Active/ Precharge to Power-Down Entry**



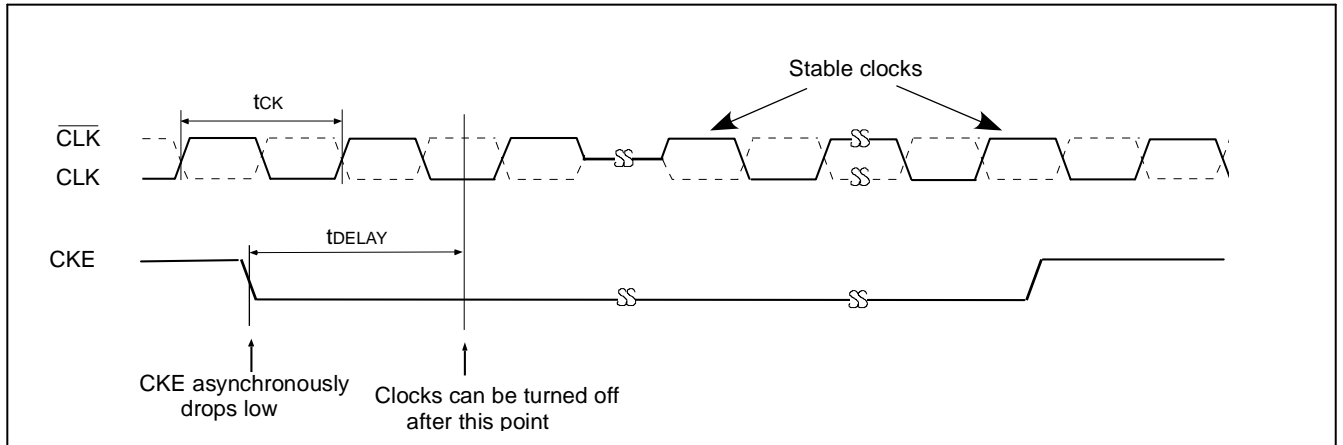
Note: CMD could be Auto Refresh/ Bank Active/ Precharge command.

**MRS/EMRS to Power-Down Entry**



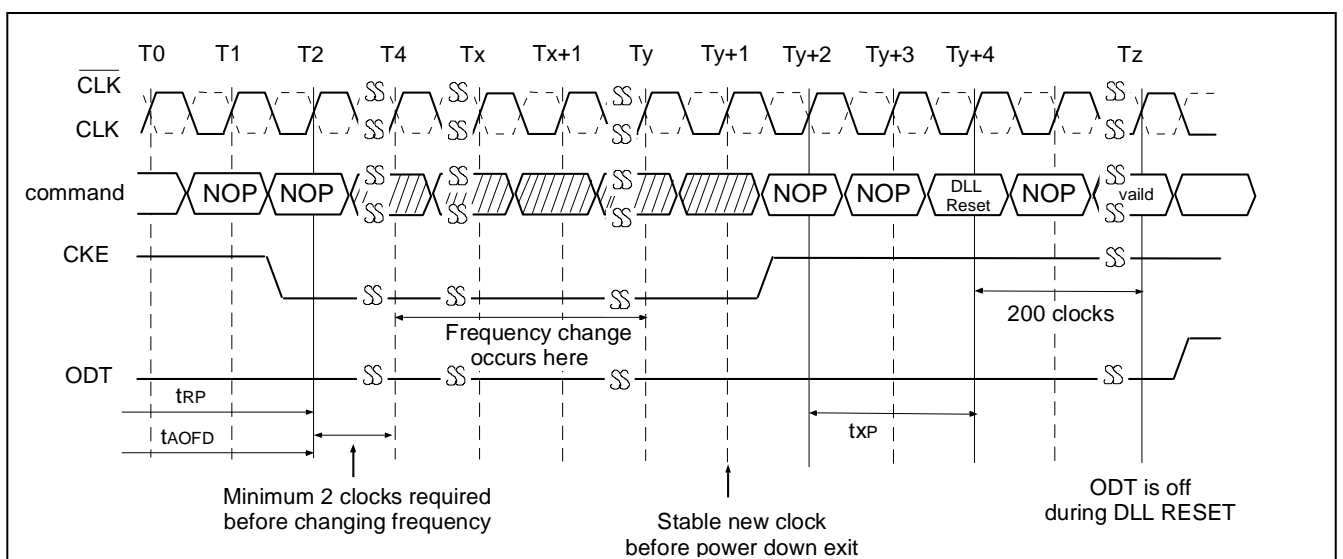
**Asynchronous CKE Low event**

DDR2 SDRAM requires CKE to be maintained “HIGH” for all valid operations as defined in this data sheet. If CKE asynchronously drops “LOW” during any valid operation, the device is not guaranteed to preserve the contents of array. If this event occurs, memory controller must satisfy  $t_{DELAY}$  before turning off the clocks. Stable clocks must exist at the input of device before CKE is raised “HIGH” again. The device must be fully re-initialized (steps 4 ~ 13) as described in initialization sequence. The device is ready for normal operation after the initialization sequence.



**Clock Frequency change in Precharge Power-Down mode**

DDR2 SDRAM input clock frequency can be changed under following condition:  
 The device is in Precharge Power-Down mode. ODT must be turned off and CKE must be at logic LOW level. A minimum of 2 clocks must be waited after CKE goes LOW before clock frequency may change. The device input clock frequency is allowed to change only between  $t_{CK}(\min)$  and  $t_{CK}(\max)$ . During input clock frequency change, ODT and CKE must be held at stable LOW levels. Once input clock frequency is changed, stable new clocks must be provided before Precharge Power-Down may be exited and DLL must be RESET via MRS after Precharge Power-Down exit. Depending on new clock frequency an additional MRS command may need to be issued to appropriately set the WR, CL etc.. During DLL re-lock period, ODT must remain off. After the DLL lock time, the device is ready to operate with new clock frequency.





Functional Truth Table \*7

| Current State | $\overline{CS}$ | $\overline{RAS}$ | $\overline{CAS}$ | $\overline{WE}$ | Address          | Command                       | Action   |
|---------------|-----------------|------------------|------------------|-----------------|------------------|-------------------------------|--|
| IDLE          | H               | X                | X                | X               | X                | DESEL                         | NOP or Power-Down  |
|               | L               | H                | H                | H               | X                | NOP                           | NOP or Power-Down  |
|               | L               | H                | L                | X               | BA, CA, A10      | READ / READA / WRITE / WRITEA | ILLEGAL (*1)   |
|               | L               | L                | H                | H               | BA, RA           | Active                        | Bank Active, Latch RA  |
|               | L               | L                | H                | L               | BA, A10 / A10    | PRE / PREA                    | Precharge / Precharge All  |
|               | L               | L                | L                | H               | X                | Refresh                       | Refresh (*2)   |
|               | L               | L                | L                | L               | Op-Code Mode-Add | MRS / EMRS                    | Mode Register setting / Extended Mode Register setting (*2)                  |
| BANK ACTIVE   | H               | X                | X                | X               | X                | DESEL                         | NOP  |
|               | L               | H                | H                | H               | X                | NOP                           | NOP  |
|               | L               | H                | L                | H               | BA, CA, A10      | READ / READA                  | Begin Read, Latch CA, Determine Auto Precharge                               |
|               | L               | H                | L                | L               | BA, CA, A10      | WRITE / WRITEA                | Begin Write, Latch CA, Determine Auto Precharge                              |
|               | L               | L                | H                | H               | BA, RA           | Active                        | ILLEGAL (*1)   |
|               | L               | L                | H                | L               | BA, A10 / A10    | PRE / PREA                    | Precharge / Precharge All  |
|               | L               | L                | L                | H               | X                | Refresh                       | ILLEGAL  |
| READ          | H               | X                | X                | X               | X                | DESEL                         | NOP (Continue Burst to END)  |
|               | L               | H                | H                | H               | X                | NOP                           | NOP (Continue Burst to END)  |
|               | L               | H                | L                | H               | BA, CA, A10      | READ / READA                  | Terminate Burst, Latch CA, Begin New Read, Determine Auto Precharge (*1, 4)  |
|               | L               | H                | L                | L               | BA, CA, A10      | WRITE / WRITEA                | ILLEGAL (*1)   |
|               | L               | L                | H                | H               | BA, RA           | Active                        | ILLEGAL (*1)   |
|               | L               | L                | H                | L               | BA, A10 / A10    | PRE / PREA                    | ILLEGAL (*1) / ILLEGAL   |
|               | L               | L                | L                | H               | X                | Refresh                       | ILLEGAL  |
| WRITE         | H               | X                | X                | X               | X                | DESEL                         | NOP (Continue Burst to end)  |
|               | L               | H                | H                | H               | X                | NOP                           | NOP (Continue Burst to end)  |
|               | L               | H                | L                | H               | BA, CA, A10      | READ / READA                  | ILLEGAL (*1)   |
|               | L               | H                | L                | L               | BA, CA, A10      | WRITE / WRITEA                | Terminate Burst, Latch CA, Begin new Write, Determine Auto-Precharge (*1, 4) |
|               | L               | L                | H                | H               | BA, RA           | Active                        | ILLEGAL (*1)   |
|               | L               | L                | H                | L               | BA, A10 / A10    | PRE / PREA                    | ILLEGAL (*1) / ILLEGAL   |
|               | L               | L                | L                | H               | X                | Refresh                       | ILLEGAL  |
|               | L               | L                | L                | L               | Op-Code Mode-Add | MRS / EMRS                    | ILLEGAL  |

| Current State                   | $\overline{\text{CS}}$ | $\overline{\text{RAS}}$ | $\overline{\text{CAS}}$ | $\overline{\text{WE}}$ | Address          | Command                          | Action                             |
|---------------------------------|------------------------|-------------------------|-------------------------|------------------------|------------------|----------------------------------|------------------------------------|
| READ with<br>AUTO<br>PRECHARGE  | H                      | X                       | X                       | X                      | X                | DESEL                            | NOP (Continue Burst to end)        |
|                                 | L                      | H                       | H                       | H                      | X                | NOP                              | NOP (Continue Burst to end)        |
|                                 | L                      | H                       | L                       | H                      | BA, CA, A10      | READ / READA                     | ILLEGAL (*1)                       |
|                                 | L                      | H                       | L                       | L                      | BA, CA, A10      | WRITE / WRITEA                   | ILLEGAL (*1)                       |
|                                 | L                      | L                       | H                       | H                      | BA, RA           | Active                           | ILLEGAL (*1)                       |
|                                 | L                      | L                       | H                       | L                      | BA, A10 / A10    | PRE / PREA                       | ILLEGAL (*1) / ILLEGAL             |
|                                 | L                      | L                       | L                       | H                      | X                | Refresh                          | ILLEGAL                            |
|                                 | L                      | L                       | L                       | L                      | Op-Code Mode-Add | MRS / EMRS                       | ILLEGAL                            |
| WRITE with<br>AUTO<br>PRECHARGE | H                      | X                       | X                       | X                      | X                | DESEL                            | NOP (Continue Burst to END)        |
|                                 | L                      | H                       | H                       | H                      | X                | NOP                              | NOP (Continue Burst to END)        |
|                                 | L                      | H                       | L                       | H                      | BA, CA, A10      | READ / READA                     | ILLEGAL (*1)                       |
|                                 | L                      | H                       | L                       | L                      | BA, CA, A10      | WRITE / WRITEA                   | ILLEGAL (*1)                       |
|                                 | L                      | L                       | H                       | H                      | BA, RA           | Active                           | ILLEGAL (*1)                       |
|                                 | L                      | L                       | H                       | L                      | BA, A10          | PRE / PREA                       | ILLEGAL (*1) / ILLEGAL             |
|                                 | L                      | L                       | L                       | H                      | X                | Refresh                          | ILLEGAL                            |
|                                 | L                      | L                       | L                       | L                      | Op-Code Mode-Add | MRS / EMRS                       | ILLEGAL                            |
| PRE-CHARGING                    | H                      | X                       | X                       | X                      | X                | DESEL                            | NOP (Idle after $t_{RP}$ )         |
|                                 | L                      | H                       | H                       | H                      | X                | NOP                              | NOP (Idle after $t_{RP}$ )         |
|                                 | L                      | H                       | L                       | X                      | BA, CA, A10      | READ / READA /<br>WRITE / WRITEA | ILLEGAL (*1)                       |
|                                 | L                      | L                       | H                       | H                      | BA, RA           | Active                           | ILLEGAL (*1)                       |
|                                 | L                      | L                       | H                       | L                      | BA, A10 / A10    | PRE / PREA                       | NOP (Idle after $t_{RP}$ )         |
|                                 | L                      | L                       | L                       | H                      | X                | Refresh                          | ILLEGAL                            |
|                                 | L                      | L                       | L                       | L                      | Op-Code Mode-Add | MRS / EMRS                       | ILLEGAL                            |
| ROW<br>ACTIVATING               | H                      | X                       | X                       | X                      | X                | DESEL                            | NOP (Bank Active after $t_{RCD}$ ) |
|                                 | L                      | H                       | H                       | H                      | X                | NOP                              | NOP (Bank Active after $t_{RCD}$ ) |
|                                 | L                      | H                       | L                       | X                      | BA, CA, A10      | READ / READA /<br>WRITE / WRITEA | ILLEGAL (*1, 5)                    |
|                                 | L                      | L                       | H                       | H                      | BA, RA           | Active                           | ILLEGAL (*1)                       |
|                                 | L                      | L                       | H                       | L                      | BA, A10 / A10    | PRE / PREA                       | ILLEGAL                            |
|                                 | L                      | L                       | L                       | H                      | X                | Refresh                          | ILLEGAL                            |
|                                 | L                      | L                       | L                       | L                      | Op-Code Mode-Add | MRS / EMRS                       | ILLEGAL                            |

| Current State                        | $\overline{CS}$ | $\overline{RAS}$ | $\overline{CAS}$ | $\overline{WE}$ | Address          | Command                       | Action                            |
|--------------------------------------|-----------------|------------------|------------------|-----------------|------------------|-------------------------------|-----------------------------------|
| WRITE RECOVERING                     | H               | X                | X                | X               | X                | DESEL                         | NOP (Bank Active after $t_{WR}$ ) |
|                                      | L               | H                | H                | H               | X                | NOP                           | NOP (Bank Active after $t_{WR}$ ) |
|                                      | L               | H                | L                | H               | BA, CA, A10      | READ / READA                  | ILLEGAL (*1, 6)                   |
|                                      | L               | H                | L                | L               | BA, CA, A10      | WRITE / WRITEA                | WRITE / WRITEA                    |
|                                      | L               | L                | H                | H               | BA, RA           | Active                        | ILLEGAL (*1)                      |
|                                      | L               | L                | H                | L               | BA, A10 / A10    | PRE / PREA                    | ILLEGAL (*1) / ILLEGAL            |
|                                      | L               | L                | L                | H               | X                | Refresh                       | ILLEGAL                           |
|                                      | L               | L                | L                | L               | Op-Code Mode-Add | MRS / EMRS                    | ILLEGAL                           |
| WRITE RECOVERING with AUTO PRECHARGE | H               | X                | X                | X               | X                | DESEL                         | NOP (Bank Active after $t_{WR}$ ) |
|                                      | L               | H                | H                | H               | X                | NOP                           | NOP (Bank Active after $t_{WR}$ ) |
|                                      | L               | H                | L                | X               | BA, CA, A10      | READ / READA / WRITE / WRITEA | ILLEGAL (*1)                      |
|                                      | L               | L                | H                | H               | BA, RA           | Active                        | ILLEGAL (*1)                      |
|                                      | L               | L                | H                | L               | BA, A10 / A10    | PRE / PREA                    | ILLEGAL (*1) / ILLEGAL            |
|                                      | L               | L                | L                | H               | X                | Refresh                       | ILLEGAL                           |
|                                      | L               | L                | L                | L               | Op-Code Mode-Add | MRS / EMRS                    | ILLEGAL                           |
| REFRESH                              | H               | X                | X                | X               | X                | DESEL                         | NOP (Idle after $t_{RFC}$ )       |
|                                      | L               | H                | H                | H               | X                | NOP                           | NOP (Idle after $t_{RFC}$ )       |
|                                      | L               | H                | L                | X               | BA, CA, A10      | READ / READA / WRITE / WRITEA | ILLEGAL                           |
|                                      | L               | L                | H                | H               | BA, RA           | Active                        | ILLEGAL                           |
|                                      | L               | L                | H                | L               | BA, A10 / A10    | PRE / PREA                    | ILLEGAL                           |
|                                      | L               | L                | L                | H               | X                | Refresh                       | ILLEGAL                           |
|                                      | L               | L                | L                | L               | Op-Code Mode-Add | MRS / EMRS                    | ILLEGAL                           |
| (Extended) MODE REGISTER SETTING     | H               | X                | X                | X               | X                | DESEL                         | NOP (Idle after $t_{MRD}$ )       |
|                                      | L               | H                | H                | H               | X                | NOP                           | NOP (Idle after $t_{MRD}$ )       |
|                                      | L               | H                | L                | X               | BA, CA, A10      | READ / READA / WRITE / WRITEA | ILLEGAL                           |
|                                      | L               | L                | H                | H               | BA, RA           | Active                        | ILLEGAL                           |
|                                      | L               | L                | H                | L               | BA, A10 / A10    | PRE / PREA                    | ILLEGAL                           |
|                                      | L               | L                | L                | H               | X                | Refresh                       | ILLEGAL                           |
|                                      | L               | L                | L                | L               | Op-Code Mode-Add | MRS / EMRS                    | ILLEGAL                           |

H = High Level, L = Low level, X = Don't Care

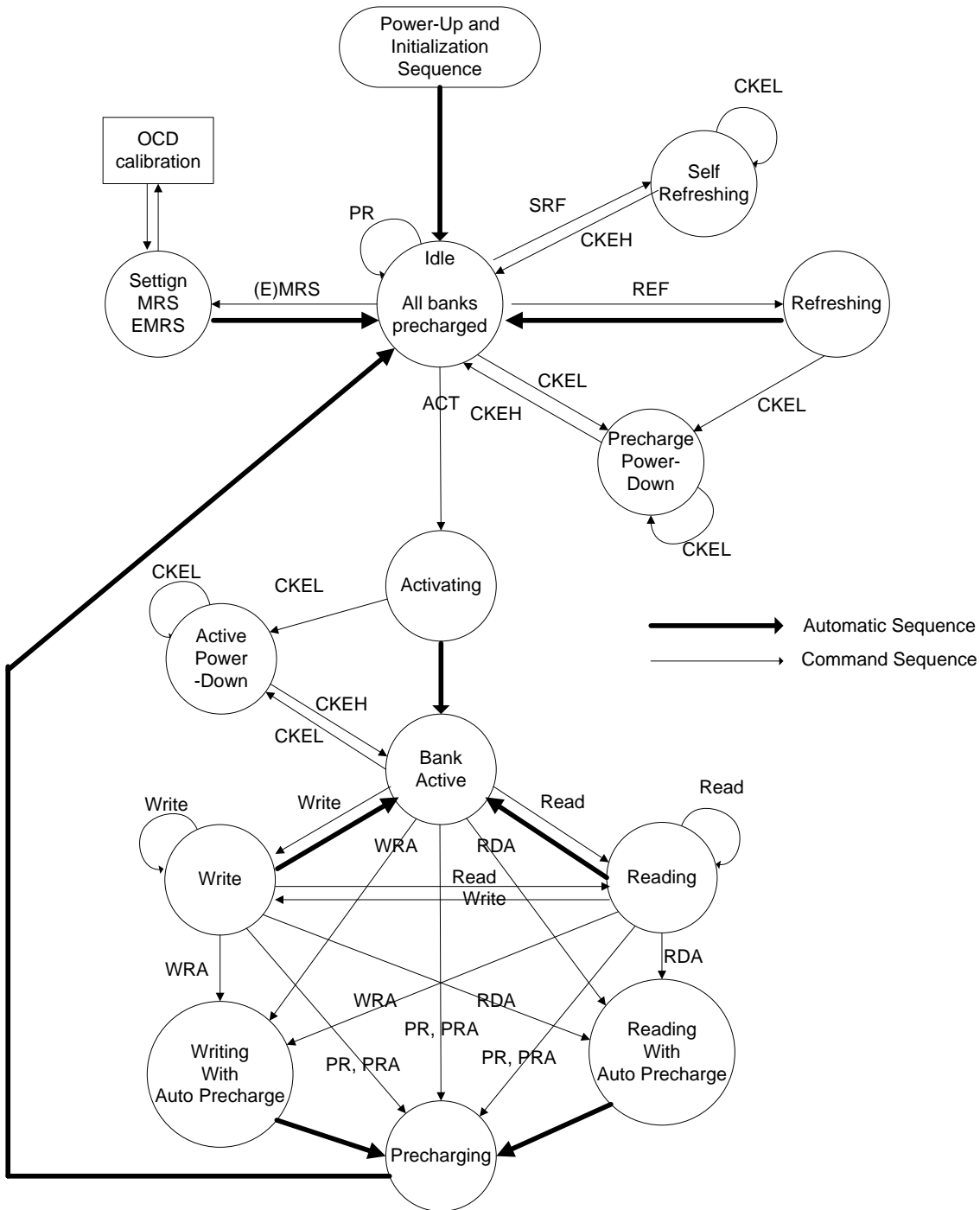
BA = Bank Address, RA = Row Address, CA = Column Address, NOP = No Operation

ILLEGAL = Device operation and / or data integrity are not guaranteed.

**Note:**

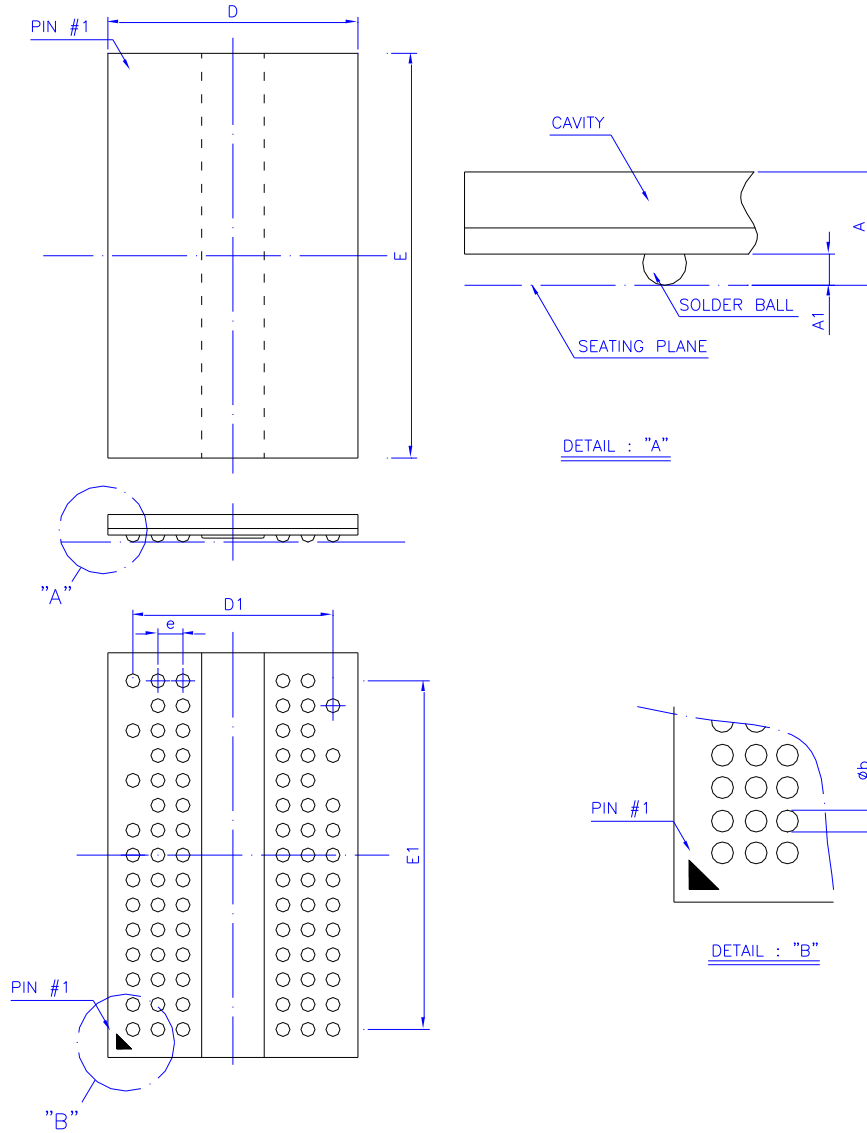
1. This command may be issued for other banks, depending on the state of the banks.
2. All banks must be in "IDLE".
3. All AC timing specs must be met.
4. Only allowed at the boundary of 4 bits burst. Burst interruption at other timings is illegal.
5. Available in case  $t_{RCD}$  is satisfied by AL setting.
6. Available in case  $t_{WTR}$  is satisfied.
7. If  $t_{CK} < 1.875ns$ , the device can not support Write with Auto Precharge function.

**Simplified States Diagram**



CKEL = CKE LOW  
 CKEH = CKE HIGH  
 ACT = Activate  
 WR(A) = Write (with Auto Precharge)  
 RD(A) = Read (with Auto Precharge)  
 PR(A) = Precharge (All)  
 (E)MRS = (Extended) Mode Register Set  
 SRF = Enter Self Refresh  
 REF = Auto Refresh

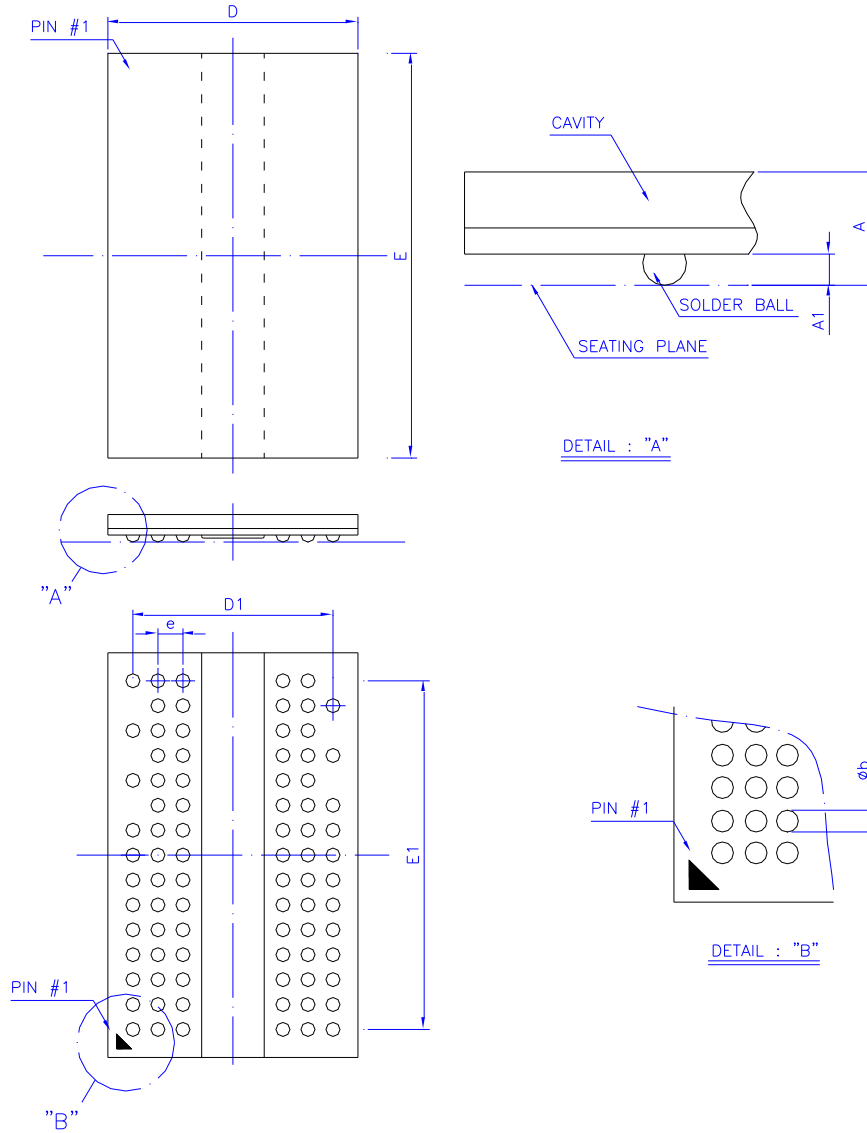
**PACKING      DIMENSIONS**  
**84-BALL      DDRII SDRAM ( 8x12.5x1.2 mm )**



| Symbol         | Dimension in mm |       |       | Dimension in inch |       |       |
|----------------|-----------------|-------|-------|-------------------|-------|-------|
|                | Min             | Norm  | Max   | Min               | Norm  | Max   |
| A              |                 |       | 1.20  |                   |       | 0.047 |
| A <sub>1</sub> | 0.25            | 0.30  | 0.40  | 0.010             | 0.012 | 0.016 |
| $\Phi_b$       | 0.37            | 0.45  | 0.50  | 0.015             | 0.018 | 0.020 |
| D              | 7.90            | 8.00  | 8.10  | 0.311             | 0.315 | 0.319 |
| E              | 12.40           | 12.50 | 12.60 | 0.488             | 0.492 | 0.496 |
| D <sub>1</sub> | 6.40 BSC        |       |       | 0.252 BSC         |       |       |
| E <sub>1</sub> | 11.20 BSC       |       |       | 0.441 BSC         |       |       |
| e              | 0.80 BSC        |       |       | 0.031 BSC         |       |       |

**Controlling dimension : Millimeter.**

**PACKING DIMENSIONS**  
**84-BALL DDRII SDRAM ( 8x12.5x1.0 mm )**



| Symbol         | Dimension in mm |       |       | Dimension in inch |       |       |
|----------------|-----------------|-------|-------|-------------------|-------|-------|
|                | Min             | Norm  | Max   | Min               | Norm  | Max   |
| A              |                 |       | 1.00  |                   |       | 0.039 |
| A <sub>1</sub> | 0.25            | 0.30  | 0.40  | 0.010             | 0.012 | 0.016 |
| Φ <sub>b</sub> | 0.37            | 0.45  | 0.50  | 0.015             | 0.018 | 0.020 |
| D              | 7.90            | 8.00  | 8.10  | 0.311             | 0.315 | 0.319 |
| E              | 12.40           | 12.50 | 12.60 | 0.488             | 0.492 | 0.496 |
| D <sub>1</sub> | 6.40 BSC        |       |       | 0.252 BSC         |       |       |
| E <sub>1</sub> | 11.20 BSC       |       |       | 0.441 BSC         |       |       |
| e              | 0.80 BSC        |       |       | 0.031 BSC         |       |       |

Controlling dimension : Millimeter.

**Revision History**

| Revision | Date       | Description   |
|----------|------------|---|
| 0.1      | 2017.04.13 | Original  |
| 1.0      | 2018.08.21 | 1. Delete Preliminary<br>2. Modify the specification of Input / Output Capacitance                    |
| 1.1      | 2022.06.09 | 1. Add a note for the specification of tWR on AC timing parameter table<br>2. Modify Tstg Temperature |
| 1.2      | 2022.06.28 | Modify tCK < 1.875ns note of Mode Register Set [MRS]  |

**Important Notice**

All rights reserved.

No part of this document may be reproduced or duplicated in any form or by any means without the prior permission of ESMT.

The contents contained in this document are believed to be accurate at the time of publication. ESMT assumes no responsibility for any error in this document, and reserves the right to change the products or specification in this document without notice.

The information contained herein is presented only as a guide or examples for the application of our products. No responsibility is assumed by ESMT for any infringement of patents, copyrights, or other intellectual property rights of third parties which may result from its use. No license, either express, implied or otherwise, is granted under any patents, copyrights or other intellectual property rights of ESMT or others.

Any semiconductor devices may have inherently a certain rate of failure. To minimize risks associated with customer's application, adequate design and operating safeguards against injury, damage, or loss from such failure, should be provided by the customer when making application designs.

ESMT's products are not authorized for use in critical applications such as, but not limited to, life support devices or system, where failure or abnormal operation may directly affect human lives or cause physical injury or property damage. If products described here are to be used for such kinds of application, purchaser must do its own quality assurance testing appropriate to such applications.