



Voice Flash MCU with Power Amplifier

HT66FV130/HT66FV140

HT66FV150/HT66FV160

Revision: V2.01 Date: October 29, 2021

www.holtek.com

Table of Contents

Features	7
CPU Features	7
Peripheral Features.....	7
Development Tools	8
General Description	8
Selection Table	8
Block Diagram	9
Pin Assignment	9
Pin Descriptions	12
Absolute Maximum Ratings	22
D.C. Characteristics	22
A.C. Characteristics	24
High Speed Internal Oscillator – HIRC – Frequency Accuracy	24
A/D Converter Characteristics	25
LVD/LVR Electrical Characteristics	26
Audio D/A Converter Electrical Characteristics	26
Power Amplifier Electrical Characteristics	27
Power-on Reset Characteristics	27
System Architecture	28
Clocking and Pipelining.....	28
Program Counter.....	29
Stack	30
Arithmetic and Logic Unit – ALU	30
Flash Program Memory	31
Structure.....	31
Special Vectors	31
Look-up Table.....	32
Table Program Example	32
In Circuit Programming – ICP	33
On-Chip Debug Support – OCDS	34
In Application Programming – IAP	35
Data Memory	46
Structure.....	46
Data Memory Addressing.....	47
General Purpose Data Memory	47
Special Purpose Data Memory	47
Special Function Register Description	52
Indirect Addressing Registers – IAR0, IAR1, IAR2	52
Memory Pointers – MP0, MP1H/MP1L, MP2H/MP2L.....	52

Program Memory Bank Pointer – PBP	54
Accumulator – ACC	54
Program Counter Low Register – PCL	54
Look-up Table Registers – TBLP, TBHP, TBLH	54
Status Register – STATUS	55
EEPROM Data Memory	57
EEPROM Data Memory Structure	57
EEPROM Registers	57
Reading Data from the EEPROM	60
Writing Data to the EEPROM	60
Write Protection	60
EEPROM Interrupt	60
Programming Considerations	61
Oscillator	62
Oscillator Overview	62
System Clock Configurations	62
External Crystal/Ceramic Oscillator – HXT	63
Internal High Speed RC Oscillator – HIRC	64
External 32.768 kHz Crystal Oscillator – LXT	64
Internal 32kHz Oscillator – LIRC	66
Supplementary Oscillators	66
Operating Modes and System Clocks	66
System Clocks	66
System Operation Modes	69
Control Registers	70
Operating Mode Switching	73
Standby Current Considerations	77
Wake-up	77
Watchdog Timer	78
Watchdog Timer Clock Source	78
Watchdog Timer Control Register	78
Watchdog Timer Operation	79
Reset and Initialisation	81
Reset Functions	81
Reset Initial Conditions	85
Input/Output Ports	90
Pull-high Resistors	92
Port A Wake-up	92
I/O Port Control Registers	92
I/O Port Source Current Control	92
Pin-shared Functions	94
I/O Pin Structures	103
Programming Considerations	104

Timer Modules – TM	105
Introduction	105
TM Operation	105
TM Clock Source.....	105
TM Interrupts.....	106
TM External Pins.....	106
TM Input/Output Pin Control Register	107
Programming Considerations.....	108
Compact Type TM – CTM	109
Compact TM Operation.....	109
Compact Type TM Register Description.....	110
Compact Type TM Operation Modes	114
Standard Type TM – STM	120
Standard TM Operation.....	120
Standard Type TM Register Description	121
Standard Type TM Operation Modes	125
Periodic Type TM – PTM.....	135
Periodic TM Operation	135
Periodic Type TM Register Description.....	136
Periodic Type TM Operation Modes.....	140
Analog to Digital Converter	149
A/D Overview	149
A/D Converter Register Description	150
A/D Operation	155
A/D Reference Voltage.....	156
A/D Input Pins	156
Conversion Rate and Timing Diagram	156
Summary of A/D Conversion Steps.....	157
Programming Considerations.....	158
A/D Transfer Function	158
A/D Programming Examples.....	159
Serial Interface Module – SIM.....	161
SPI Interface	161
I ² C Interface	167
Serial Interface – SPIA.....	177
SPIA Interface Operation	177
SPIA Registers	178
SPIA Communication	180
SPIA Bus Enable/Disable.....	182
SPIA Operation	183
Error Detection	184

SCOM Function for LCD – HT66FV150/HT66FV160	185
LCD Operation	185
LCD Bias Control	185
Voice Playing Controller	186
Voice Controller Registers.....	186
Interrupts	189
Interrupt Registers.....	189
Interrupt Operation	198
External Interrupt.....	201
Multi-function Interrupt	201
A/D Converter Interrupt.....	202
Time Base Interrupt.....	202
UART Transfer Interrupt – HT66FV150/HT66FV160	203
Serial Interface Module Interrupt – HT66FV140/HT66FV150/HT66FV160.....	204
SPIA Interface Interrupt.....	204
LVD Interrupt.....	204
EEPROM Interrupt	204
TM Interrupt.....	205
Interrupt Wake-up Function.....	205
Programming Considerations.....	205
Low Voltage Detector – LVD	206
LVD Register	206
LVD Operation.....	207
UART Interface – HT66FV150/HT66FV160	208
UART External Pin	209
UART Data Transfer Scheme.....	209
UART Status and Control Registers.....	209
Baud Rate Generator	214
UART Setup and Control.....	215
UART Transmitter.....	217
UART Receiver	218
Managing Receiver Errors	219
UART Interrupt Structure.....	220
UART Power Down and Wake-up.....	222
Application Circuits	223
Application Circuit (5V).....	223
Application Circuit (3V).....	224
Holtek Voice MCU Workshop Demo Board (HT66FV140).....	225
Instruction Set	226
Introduction	226
Instruction Timing	226
Moving and Transferring Data.....	226
Arithmetic Operations.....	226

Logical and Rotate Operation	227
Branches and Control Transfer	227
Bit Operations	227
Table Read Operations	227
Other Operations.....	227
Instruction Set Summary	228
Table Conventions.....	228
Extended Instruction Set.....	230
Instruction Definition.....	232
Extended Instruction Definition	241
Package Information	248
20-pin SOP (300mil) Outline Dimensions	249
24-pin SOP(300mil) Outline Dimensions	250
24-pin SSOP (150mil) Outline Dimensions	251
28-pin SOP(300mil) Outline Dimensions	252
44-pin LQFP (10mm×10mm) (FP2.0mm) Outline Dimensions	253

Features

CPU Features

- Operating voltage
 - ♦ $f_{SYS}=8\text{MHz}$: 2.2V~5.5V
 - ♦ $f_{SYS}=12\text{MHz}$: 2.7V~5.5V
 - ♦ $f_{SYS}=16\text{MHz}$: 3.6V~5.5V
- Up to 0.25 μs instruction cycle with 16MHz system clock at $V_{DD}=5\text{V}$
- Power down and wake-up functions to reduce power consumption
- Oscillator type
 - ♦ External High Speed Crystal – HXT
 - ♦ Internal High Speed RC – HIRC
 - ♦ External 32.768kHz Crystal – LXT (available in HT66FV140/HT66FV150/HT66FV160)
 - ♦ Internal 32kHz RC – LIRC
- Fully integrated internal 8/12/16 MHz oscillator requires no external components
- Multi-mode operation: NORMAL, SLOW, IDLE and SLEEP
- All instructions executed in one to three instruction cycles
- Table read instructions
- 115 powerful instructions
- Up to 8-level subroutine nesting
- Bit manipulation instruction

Peripheral Features

- Program Memory: Up to 16K x 16
- Data Memory: Up to 1024 x 8
- True EEPROM Memory: Up to 256 x 8
- Watchdog Timer function
- Up to 35 bidirectional I/O lines
- Two external interrupt lines shared with I/O pins
- Multiple Timer Modules for time measure, input capture, compare match output, PWM output function or single pulse output function
- Serial Interfaces Module – SIM for SPI or I²C (available in HT66FV140/HT66FV150/HT66FV160)
- Serial Peripheral Interface – SPIA
- Software controlled 4-SCOM lines LCD driver with 1/2 bias (available in HT66FV150/HT66FV160)
- Fully-duplex Universal Asynchronous Receiver and Transmitter Interface – UART (available in HT66FV150/HT66FV160)
- Dual Time-Base functions for generation of fixed time interrupt signals
- 8-channel 12-bit resolution A/D converter
- In Application Programming function – IAP
- Class AB power amplifier for speaker driving
- High performance 16-bit audio D/A converter

- Digital volume control for audio playback function
- Low voltage reset function
- Low voltage detect function
- Flash program memory can be re-programmed up to 10,000 times
- Flash program memory data retention > 10 years
- True EEPROM data memory can be re-programmed up to 100,000 times
- True EEPROM data memory data retention > 10 years
- Wide range of available package types

Development Tools

For rapid product development and to simplify device parameter setting, Holtek has provided relevant development tools which users can download from the following link:

<https://www.holtek.com/esk-fv160-200>

General Description

The series of devices are Flash Memory A/D type 8-bit high performance RISC architecture microcontroller which is designed for voice playing product applications. Each device integrates a 16-bit DAC and a Power Amplifier. For the D/A Converter, the device has a digital programmable volume control with a wide range.

Multiple and extremely flexible Timer Modules provide timing, pulse generation and PWM generation functions. Communication with the outside world is catered for by including fully integrated SPI or I²C interface functions, two popular interfaces which provide designers with a means of easy communication with external peripheral hardware. Protective features such as an internal Watchdog Timer, Low Voltage Reset and Low Voltage Detector coupled with excellent noise immunity and ESD protection ensure that reliable operation is maintained in hostile electrical environments.

A full choice of HXT, HIRC, LXT and LIRC oscillator functions are provided including a fully integrated system oscillator. The ability to operate and switch dynamically between a range of operating modes using different clock sources gives users the ability to optimise microcontroller operation and minimise power consumption.

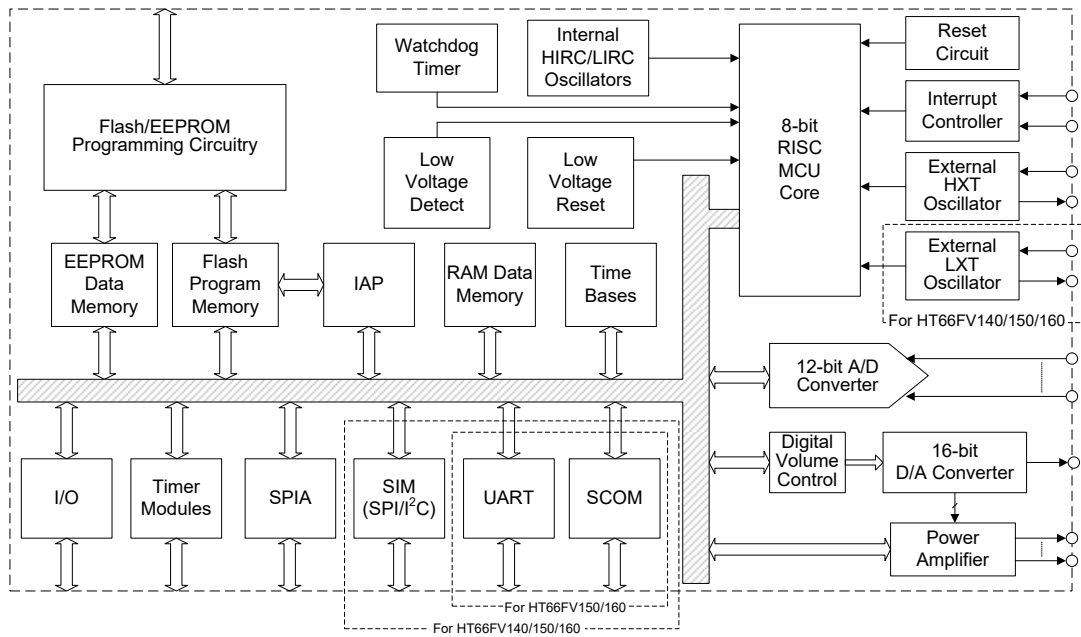
Selection Table

Most features are common to all devices. The main features distinguishing them are Memory capacity, I/O count, A/D converter inputs, Timer Module features, SIM, LXT, SCOM, UART and package types. The following table summarises the main features of each device.

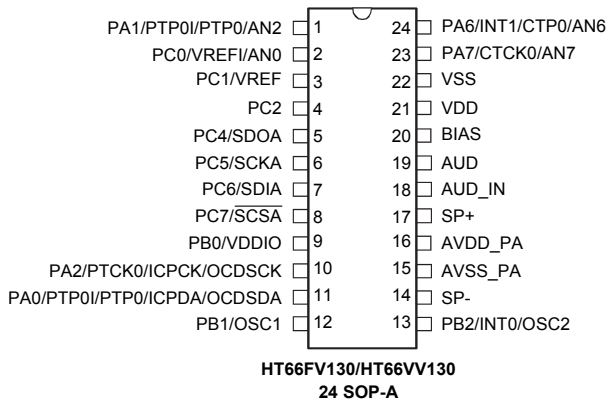
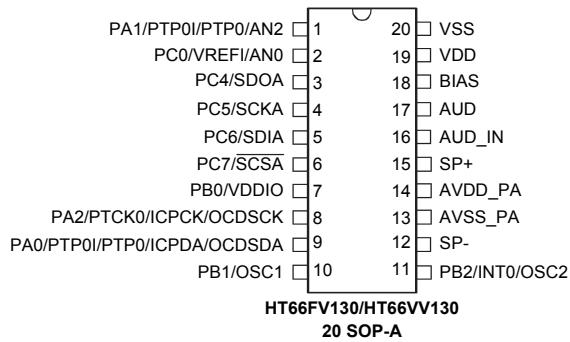
Part No.	Program Memory	Data Memory	Data EEPROM	I/O	A/D	Timer Module	Time Base	SPIA	SIM	LXT	UART	SCOM	D/A	Power Amplifier	Stacks	Package
HT66FV130	2K×16	128×8	32×8	15	12-bit ×4	10-bit CTM×1 10-bit PTM×1	2	√	—	—	—	—	√	√	4	20/24SOP
HT66FV140	4K×16	256×8	64×8	19	12-bit ×8	10-bit CTM×1 10-bit PTM×2	2	√	√	√	—	—	√	√	8	24SOP/SSOP 28SOP
HT66FV150	8K×16	512×8	128×8	27	12-bit ×8	10-bit CTM×2 10-bit PTM×2	2	√	√	√	√	√	√	√	8	28SOP 44LQFP
HT66FV160	16K×16	1024×8	256×8	35	12-bit ×8	10-bit CTM×2 10-bit PTM×2 16-bit STM×1	2	√	√	√	√	√	√	√	8	44LQFP

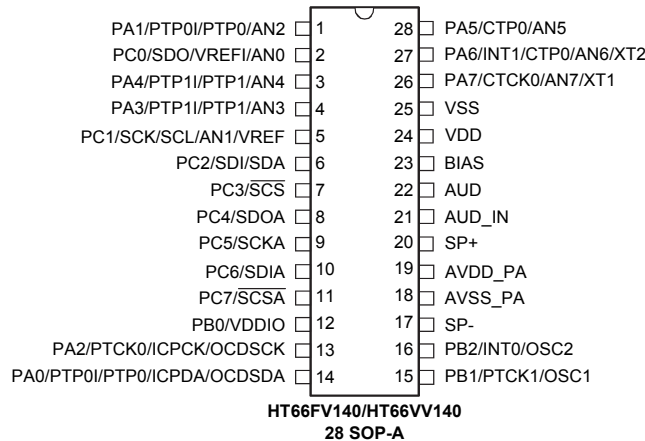
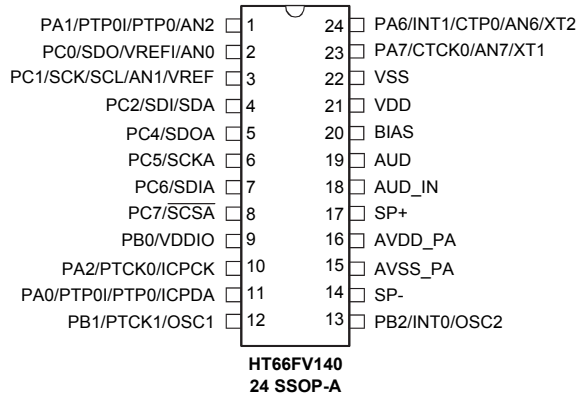
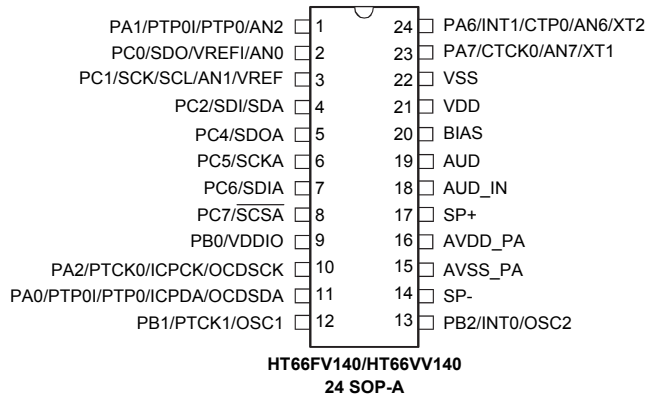
Note: As devices exist in more than one package format, the table reflects the situation for the package with the most pins.

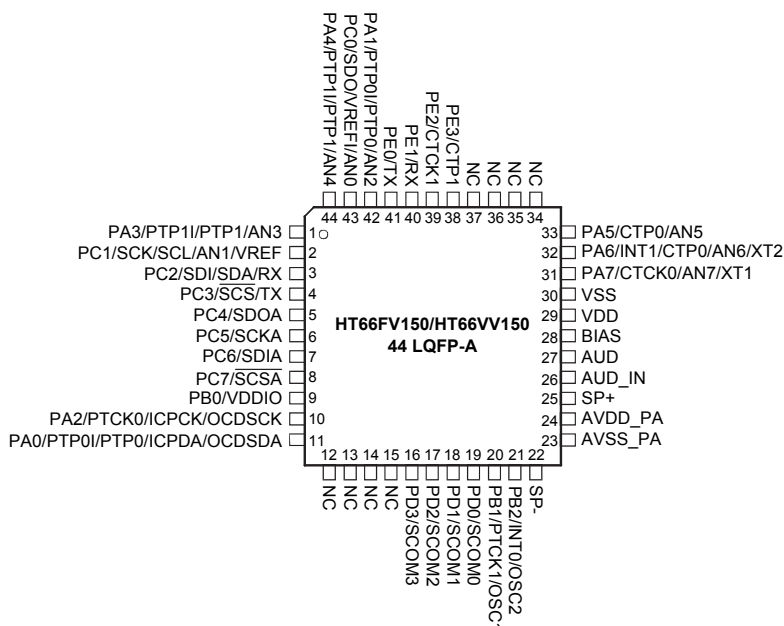
Block Diagram

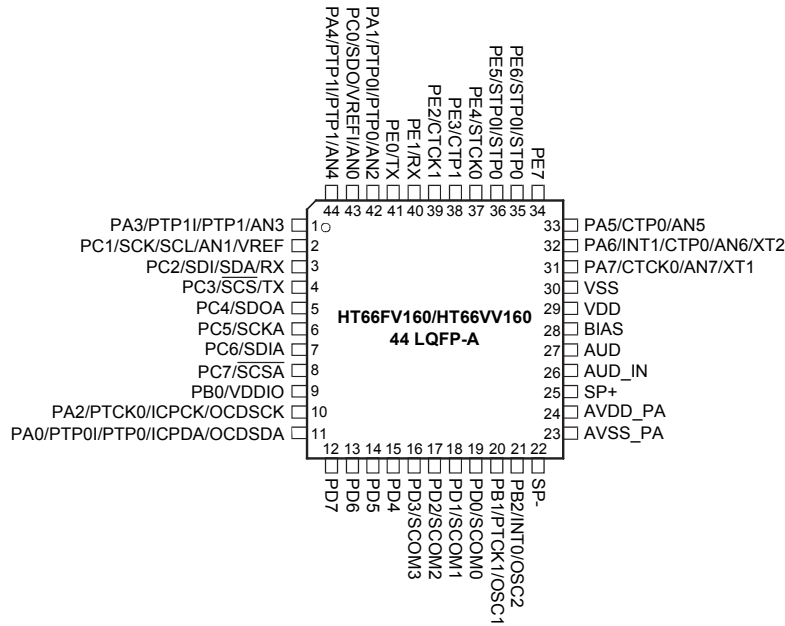


Pin Assignment









- Note: 1. The OCSDSA and OCDSCK pins are the OCDS dedicated pins and only available for the HT66VV1x0 device which is the OCDS EV chip for the HT66FV1x0 device.
2. For less pin-count package types there will be unbonded pins which should be properly configured to avoid unwanted current consumption resulting from floating input conditions. Refer to the “Standby Current Considerations” and “Input/Output Ports” sections.

Pin Descriptions

With the exception of the power pins and some relevant transformer control pins, all pins on these devices can be referenced by their Port name, e.g. PA.0, PA.1 etc, which refer to the digital I/O function of the pins. However these Port pins are also shared with other function such as the Analog to Digital Converter, Timer Module pins etc. The function of each pin is listed in the following table, however the details behind how each pin is configured is contained in other sections of the datasheet.

HT66FV130

Pad Name	Function	OPT	I/T	O/T	Description
PA0/PTP0/ PTP0/ICPDA/ OCSDA	PA0	PAWU PAPU PAS0	ST	CMOS	General purpose I/O. Register enabled pull-up and wake-up.
	PTP0I	PAS0 IFS	ST	—	PTM0 capture input
	PTP0	PAS0	—	CMOS	PTM0 output
	ICPDA	—	ST	CMOS	ICP Data/Address pin
	OCSDA	—	ST	CMOS	OCDS Data/Address pin, for EV chip only.
PA1/PTP0/ PTP0/AN2	PA1	PAWU PAPU PAS0	ST	CMOS	General purpose I/O. Register enabled pull-up and wake-up.
	PTP0I	PAS0 IFS	ST	—	PTM0 capture input
	PTP0	PAS0	—	CMOS	PTM0 output
	AN2	PAS0	AN	—	A/D Converter analog input

Pad Name	Function	OPT	I/T	O/T	Description
PA2/PTCK0/ ICPCK/OCDSCK	PA2	PAWU PAPU PAS0	ST	CMOS	General purpose I/O. Register enabled pull-up and wake-up.
	PTCK0	—	ST	—	PTM0 clock input
	ICPCK	—	ST	CMOS	ICP Clock pin
	OCDSCK	—	ST	—	OCDS Clock pin, for EV chip only.
PA6/INT1/ CTP0/AN6	PA6	PAWU PAPU PAS1	ST	CMOS	General purpose I/O. Register enabled pull-up and wake-up.
	INT1	PAS1 INTEG INTC2	ST	—	External Interrupt 1
	CTP0	PAS1	—	CMOS	CTM0 output
	AN6	PAS1	AN	—	A/D Converter analog input
PA7/CTCK0/AN7	PA7	PAWU PAPU PAS1	ST	CMOS	General purpose I/O. Register enabled pull-up and wake-up.
	CTCK0	PAS1	ST	—	CTM0 clock input
	AN7	PAS1	AN	—	A/D Converter analog input
PB0/VDDIO	PB0	PBPU PBS0	ST	CMOS	General purpose I/O. Register enabled pull-up.
	VDDIO	PBS0	PWR	—	PC0~PC7 I/O power for level shift
PB1/OSC1	PB1	PBPU PBS0	ST	CMOS	General purpose I/O. Register enabled pull-up.
	OSC1	PBS0	HXT	—	HXT oscillator pin
PB2/INT0/OSC2	PB2	PBPU PBS0	ST	CMOS	General purpose I/O. Register enabled pull-up.
	INT0	PBS0 INTEG INTC0	ST	—	External Interrupt 0
	OSC2	PBS0	—	HXT	HXT oscillator pin
PC0/VREFI/AN0	PC0	PCPU PCS0	ST	CMOS	General purpose I/O. Register enabled pull-up.
	VREFI	PCS0	AN	—	A/D Converter reference voltage input
	AN0	PCS0	AN	—	A/D Converter analog input
PC1/VREF	PC1	PCPU PCS0	ST	CMOS	General purpose I/O. Register enabled pull-up.
	VREF	PCS0	—	AN	A/D Converter reference voltage output
PC2	PC2	PCPU PCS0	ST	CMOS	General purpose I/O. Register enabled pull-up.
PC4/SDOA	PC4	PCPU PCS1	ST	CMOS	General purpose I/O. Register enabled pull-up.
	SDOA	PCS1	—	CMOS	SPIA data output
PC5/SCKA	PC5	PCPU PCS1	ST	CMOS	General purpose I/O. Register enabled pull-up.
	SCKA	PCS1	ST	CMOS	SPIA serial clock
PC6/SDIA	PC6	PCPU PCS1	ST	CMOS	General purpose I/O. Register enabled pull-up.
	SDIA	PCS1	ST	—	SPIA data input
PC7/SCSA	PC7	PCPU PCS1	ST	CMOS	General purpose I/O. Register enabled pull-up.
	SCSA	PCS1	ST	CMOS	SPIA slave select
VDD	VDD	—	PWR	—	Positive power supply

Pad Name	Function	OPT	I/T	O/T	Description
VSS	VSS	—	PWR	—	Negative power supply, ground.
SP+	SP+	—	—	AO	Power amplifier output
SP-	SP-	—	—	AO	Power amplifier output
AUD_IN	AUD_IN	—	AN	—	Power amplifier input
BIAS	BIAS	—	—	AO	Power amplifier voltage bias reference
AUD	AUD	—	—	AO	D/A converter output
AVDD_PA	AVDD_PA	—	PWR	—	Audio Power Amplifier positive power supply
AVSS_PA	AVSS_PA	—	PWR	—	Audio Power Amplifier negative power supply

HT66FV140

Pad Name	Function	OPT	I/T	O/T	Description
PA0/PTP0I/ PTP0/ICPDA/ OCDSDA	PA0	PAWU PAPU PAS0	ST	CMOS	General purpose I/O. Register enabled pull-up and wake-up.
	PTP0I	PAS0 IFS	ST	—	PTM0 capture input
	PTP0	PAS0	—	CMOS	PTM0 output
	ICPDA	—	ST	CMOS	ICP Data/Address pin
	OCDSDA	—	ST	CMOS	OCDS Data/Address pin, for EV chip only.
PA1/PTP0I/ PTP0/AN2	PA1	PAWU PAPU PAS0	ST	CMOS	General purpose I/O. Register enabled pull-up and wake-up.
	PTP0I	PAS0 IFS	ST	—	PTM0 capture input
	PTP0	PAS0	—	CMOS	PTM0 output
	AN2	PAS0	AN	—	A/D Converter analog input
PA2/PTCK0/ ICPCK/OCDSCK	PA2	PAWU PAPU PAS0	ST	CMOS	General purpose I/O. Register enabled pull-up and wake-up.
	PTCK0	—	ST	—	PTM0 clock input
	ICPCK	—	ST	CMOS	ICP Clock pin
	OCDSCK	—	ST	—	OCDS Clock pin, for EV chip only.
PA3/PTP1I/ PTP1/AN3	PA3	PAWU PAPU PAS0	ST	CMOS	General purpose I/O. Register enabled pull-up and wake-up.
	PTP1I	PAS0 IFS	ST	—	PTM1 capture input
	PTP1	PAS0	—	CMOS	PTM1 output
	AN3	PAS0	AN	—	A/D Converter analog input
PA4/PTP1I/ PTP1/AN4	PA4	PAWU PAPU PAS1	ST	CMOS	General purpose I/O. Register enabled pull-up and wake-up.
	PTP1I	PAS1 IFS	ST	—	PTM1 capture input
	PTP1	PAS1	—	CMOS	PTM1 output
	AN4	PAS1	AN	—	A/D Converter analog input
PA5/CTP0/AN5	PA5	PAWU PAPU PAS1	ST	CMOS	General purpose I/O. Register enabled pull-up and wake-up.
	CTP0	PAS1	—	CMOS	CTM0 output
	AN5	PAS1	AN	—	A/D Converter analog input

Pad Name	Function	OPT	I/T	O/T	Description
PA6/INT1/ CTP0/AN6/XT2	PA6	PAWU PAPU PAS1	ST	CMOS	General purpose I/O. Register enabled pull-up and wake-up.
	INT1	PAS1 INTEG INTC2	ST	—	External Interrupt 1
	CTP0	PAS1	—	CMOS	CTM0 output
	AN6	PAS1	AN	—	A/D Converter analog input
	XT2	PAS1	—	LXT	LXT oscillator pin
PA7/CTCK0/ AN7/XT1	PA7	PAWU PAPU PAS1	ST	CMOS	General purpose I/O. Register enabled pull-up and wake-up.
	CTCK0	PAS1	ST	—	CTM0 clock input
	AN7	PAS1	AN	—	A/D Converter analog input
	XT1	PAS1	LXT	—	LXT oscillator pin
PB0/VDDIO	PB0	PBPU PBS0	ST	CMOS	General purpose I/O. Register enabled pull-up.
	VDDIO	PBS0	PWR	—	PC0~PC7 I/O power for level shift
PB1/PTCK1/OSC1	PB1	PBPU PBS0	ST	CMOS	General purpose I/O. Register enabled pull-up.
	PTCK1	PBS0	ST	—	PTM1 clock input
	OSC1	PBS0	HXT	—	HXT oscillator pin
PB2/INT0/OSC2	PB2	PBPU PBS0	ST	CMOS	General purpose I/O. Register enabled pull-up.
	INT0	PBS0 INTEG INTC0	ST	—	External Interrupt 0
	OSC2	PBS0	—	HXT	HXT oscillator pin
PC0/SDO/ VREFI/AN0	PC0	PCPU PCS0	ST	CMOS	General purpose I/O. Register enabled pull-up.
	SDO	PCS0	—	CMOS	SPI data output
	VREFI	PCS0	AN	—	A/D Converter reference voltage input
	AN0	PCS0	AN	—	A/D Converter analog input
PC1/SCK/SCL/ AN1/VREF	PC1	PCPU PCS0	ST	CMOS	General purpose I/O. Register enabled pull-up.
	SCK	PCS0	ST	CMOS	SPI serial clock
	SCL	PCS0	ST	NMOS	I ² C clock line
	AN1	PCS0	AN	—	A/D Converter analog input
	VREF	PCS0	—	AN	A/D Converter reference voltage output
PC2/SDI/SDA	PC2	PCPU PCS0	ST	CMOS	General purpose I/O. Register enabled pull-up.
	SDI	PCS0	ST	—	SPI data input
	SDA	PCS0	ST	NMOS	I ² C data line
PC3/ $\overline{\text{SCS}}$	PC3	PCPU PCS0	ST	CMOS	General purpose I/O. Register enabled pull-up.
	$\overline{\text{SCS}}$	PCS0	ST	CMOS	SPI slave select
PC4/SDOA	PC4	PCPU PCS1	ST	CMOS	General purpose I/O. Register enabled pull-up.
	SDOA	PCS1	—	CMOS	SPIA data output
PC5/SCKA	PC5	PCPU PCS1	ST	CMOS	General purpose I/O. Register enabled pull-up.
	SCKA	PCS1	ST	CMOS	SPIA serial clock

Pad Name	Function	OPT	I/T	O/T	Description
PC6/SDIA	PC6	PCPU PCS1	ST	CMOS	General purpose I/O. Register enabled pull-up.
	SDIA	PCS1	ST	—	SPIA data input
PC7/SCSA	PC7	PCPU PCS1	ST	CMOS	General purpose I/O. Register enabled pull-up.
	SCSA	PCS1	ST	CMOS	SPIA slave select
VDD	VDD	—	PWR	—	Positive power supply
VSS	VSS	—	PWR	—	Negative power supply, ground.
SP+	SP+	—	—	AO	Power amplifier output
SP-	SP-	—	—	AO	Power amplifier output
AUD_IN	AUD_IN	—	AN	—	Power amplifier input
BIAS	BIAS	—	—	AO	Power amplifier voltage bias reference
AUD	AUD	—	—	AO	D/A converter output
AVDD_PA	AVDD_PA	—	PWR	—	Audio Power Amplifier positive power supply
AVSS_PA	AVSS_PA	—	PWR	—	Audio Power Amplifier negative power supply

HT66FV150

Pad Name	Function	OPT	I/T	O/T	Description
PA0/PTP0I/ PTP0/ICPDA/ OCDSDA	PA0	PAWU PAPU PAS0	ST	CMOS	General purpose I/O. Register enabled pull-up and wake-up.
	PTP0I	PAS0 IFS	ST	—	PTM0 capture input
	PTP0	PAS0	—	CMOS	PTM0 output
	ICPDA	—	ST	CMOS	ICP Data/Address pin
	OCDSDA	—	ST	CMOS	OCDS Data/Address pin, for EV chip only.
PA1/PTP0I/ PTP0/AN2	PA1	PAWU PAPU PAS0	ST	CMOS	General purpose I/O. Register enabled pull-up and wake-up.
	PTP0I	PAS0 IFS	ST	—	PTM0 capture input
	PTP0	PAS0	—	CMOS	PTM0 output
	AN2	PAS0	AN	—	A/D Converter analog input
PA2/PTCK0/ ICPCK/OCDSCK	PA2	PAWU PAPU PAS0	ST	CMOS	General purpose I/O. Register enabled pull-up and wake-up.
	PTCK0	—	ST	—	PTM0 clock input
	ICPCK	—	ST	CMOS	ICP Clock pin
	OCDSCK	—	ST	—	OCDS Clock pin, for EV chip only.
PA3/PTP1I/ PTP1/AN3	PA3	PAWU PAPU PAS0	ST	CMOS	General purpose I/O. Register enabled pull-up and wake-up.
	PTP1I	PAS0 IFS	ST	—	PTM1 capture input
	PTP1	PAS0	—	CMOS	PTM1 output
	AN3	PAS0	AN	—	A/D Converter analog input

Pad Name	Function	OPT	I/T	O/T	Description
PA4/PTP1I/ PTP1/AN4	PA4	PAWU PAPU PAS1	ST	CMOS	General purpose I/O. Register enabled pull-up and wake-up.
	PTP1I	PAS1 IFS	ST	—	PTM1 capture input
	PTP1	PAS1	—	CMOS	PTM1 output
	AN4	PAS1	AN	—	A/D Converter analog input
PA5/CTP0/AN5	PA5	PAWU PAPU PAS1	ST	CMOS	General purpose I/O. Register enabled pull-up and wake-up.
	CTP0	PAS1	—	CMOS	CTM0 output
	AN5	PAS1	AN	—	A/D Converter analog input
PA6/INT1/CTP0/ AN6/XT2	PA6	PAWU PAPU PAS1	ST	CMOS	General purpose I/O. Register enabled pull-up and wake-up.
	INT1	PAS1 INTEG INTC2	ST	—	External Interrupt 1
	CTP0	PAS1	—	CMOS	CTM0 output
	AN6	PAS1	AN	—	A/D Converter analog input
PA7/CTCK0/ AN7/XT1	PA7	PAWU PAPU PAS1	ST	CMOS	General purpose I/O. Register enabled pull-up and wake-up.
	CTCK0	PAS1	ST	—	CTM clock input
	AN7	PAS1	AN	—	A/D Converter analog input
	XT1	PAS1	LXT	—	LXT oscillator pin
PB0/VDDIO	PB0	PBPU PBS0	ST	CMOS	General purpose I/O. Register enabled pull-up.
	VDDIO	PBS0	PWR	—	PC0~PC7 I/O power for level shift
PB1/PTCK1/OSC1	PB1	PBPU PBS0	ST	CMOS	General purpose I/O. Register enabled pull-up.
	PTCK1	PBS0	ST	—	PTM1 clock input
	OSC1	PBS0	HXT	—	HXT oscillator pin
PB2/INT0/OSC2	PB2	PBPU PBS0	ST	CMOS	General purpose I/O. Register enabled pull-up.
	INT0	PBS0 INTEG INTC0	ST	—	External Interrupt 0
	OSC2	PBS0	—	HXT	HXT oscillator pin
PC0/SDO/ VREFI/AN0	PC0	PCPU PCS0	ST	CMOS	General purpose I/O. Register enabled pull-up.
	SDO	PCS0	—	CMOS	SPI data output
	VREFI	PCS0	AN	—	A/D Converter reference voltage input
	AN0	PCS0	AN	—	A/D Converter analog input
PC1/SCK/SCL/ AN1/VREF	PC1	PCPU PCS0	ST	CMOS	General purpose I/O. Register enabled pull-up.
	SCK	PCS0	ST	CMOS	SPI serial clock
	SCL	PCS0	ST	NMOS	I ² C clock line
	AN1	PCS0	AN	—	A/D Converter analog input
	VREF	PCS0	—	AN	A/D Converter reference voltage output

Pad Name	Function	OPT	I/T	O/T	Description
PC2/SDI/SDA/RX	PC2	PCPU PCS0	ST	CMOS	General purpose I/O. Register enabled pull-up.
	SDI	PCS0	ST	—	SPI data input
	SDA	PCS0	ST	NMOS	I ² C data line
	RX	PCS0 IFS	ST	—	UART RX serial data input
PC3/SCS/TX	PC3	PCPU PCS0	ST	CMOS	General purpose I/O. Register enabled pull-up.
	SCS	PCS0	ST	CMOS	SPI slave select
	TX	PCS0	—	CMOS	UART TX serial data output
PC4/SDOA	PC4	PCPU PCS1	ST	CMOS	General purpose I/O. Register enabled pull-up.
	SDOA	PCS1	—	CMOS	SPIA data output
PC5/SCKA	PC5	PCPU PCS1	ST	CMOS	General purpose I/O. Register enabled pull-up.
	SCKA	PCS1	ST	CMOS	SPIA serial clock
PC6/SDIA	PC6	PCPU PCS1	ST	CMOS	General purpose I/O. Register enabled pull-up.
	SDIA	PCS1	ST	—	SPIA data input
PC7/SCSA	PC7	PCPU PCS1	ST	CMOS	General purpose I/O. Register enabled pull-up.
	SCSA	PCS1	ST	CMOS	SPIA slave select
PD0/SCOM0	PD0	PDP PDS0	ST	CMOS	General purpose I/O. Register enabled pull-up.
	SCOM0	PDS0	—	SCOM	LCD common output
PD1/SCOM1	PD1	PDP PDS0	ST	CMOS	General purpose I/O. Register enabled pull-up.
	SCOM1	PDS0	—	SCOM	LCD common output
PD2/SCOM2	PD2	PDP PDS0	ST	CMOS	General purpose I/O. Register enabled pull-up.
	SCOM2	PDS0	—	SCOM	LCD common output
PD3/SCOM3	PD3	PDP PDS0	ST	CMOS	General purpose I/O. Register enabled pull-up.
	SCOM3	PDS0	—	SCOM	LCD common output
PE0/TX	PE0	PEPU PES0	ST	CMOS	General purpose I/O. Register enabled pull-up.
	TX	PES0	—	CMOS	UART TX serial data output
PE1/RX	PE1	PEPU PES0	ST	CMOS	General purpose I/O. Register enabled pull-up.
	RX	PES0 IFS	ST	—	UART RX serial data input
PE2/CTCK1	PE2	PEPU PES0	ST	CMOS	General purpose I/O. Register enabled pull-up.
	CTCK1	PES0	ST	—	CTM1 clock input
PE3/CTP1	PE3	PEPU PES0	ST	CMOS	General purpose I/O. Register enabled pull-up.
	CTP1	PES0	—	CMOS	CTM1 output
VDD	VDD	—	PWR	—	Positive power supply
VSS	VSS	—	PWR	—	Negative power supply, ground.
SP+	SP+	—	—	AO	Power amplifier output
SP-	SP-	—	—	AO	Power amplifier output
AUD_IN	AUD_IN	—	AN	—	Power amplifier input

Pad Name	Function	OPT	I/T	O/T	Description
BIAS	BIAS	—	—	AO	Power amplifier voltage bias reference
AUD	AUD	—	—	AO	D/A converter output
AVDD_PA	AVDD_PA	—	PWR	—	Audio Power Amplifier positive power supply
AVSS_PA	AVSS_PA	—	PWR	—	Audio Power Amplifier negative power supply
NC	NC	—	—	—	Not connected

HT66FV160

Pad Name	Function	OPT	I/T	O/T	Description
PA0/PTP0I/ PTP0/ICPDA/ OCSDA	PA0	PAWU PAPU PAS0	ST	CMOS	General purpose I/O. Register enabled pull-up and wake-up.
	PTP0I	PAS0 IFS	ST	—	PTM0 capture input
	PTP0	PAS0	—	CMOS	PTM0 output
	ICPDA	—	ST	CMOS	ICP Data/Address pin
	OCSDA	—	ST	CMOS	OCDS Data/Address pin, for EV chip only.
PA1/PTP0I/ PTP0/AN2	PA1	PAWU PAPU PAS0	ST	CMOS	General purpose I/O. Register enabled pull-up and wake-up.
	PTP0I	PAS0 IFS	ST	—	PTM0 capture input
	PTP0	PAS0	—	CMOS	PTM0 output
	AN2	PAS0	AN	—	A/D Converter analog input
PA2/PTCK0/ ICPCK/OCDSCK	PA2	PAWU PAPU PAS0	ST	CMOS	General purpose I/O. Register enabled pull-up and wake-up.
	PTCK0	—	ST	—	PTM0 clock input
	ICPCK	—	ST	CMOS	ICP Clock pin
	OCDSCK	—	ST	—	OCDS Clock pin, for EV chip only.
PA3/PTP1I/ PTP1/AN3	PA3	PAWU PAPU PAS0	ST	CMOS	General purpose I/O. Register enabled pull-up and wake-up.
	PTP1I	PAS0 IFS	ST	—	PTM1 capture input
	PTP1	PAS0	—	CMOS	PTM1 output
	AN3	PAS0	AN	—	A/D Converter analog input
PA4/PTP1I/ PTP1/AN4	PA4	PAWU PAPU PAS1	ST	CMOS	General purpose I/O. Register enabled pull-up and wake-up.
	PTP1I	PAS1 IFS	ST	—	PTM1 capture input
	PTP1	PAS1	—	CMOS	PTM1 output
	AN4	PAS1	AN	—	A/D Converter analog input
PA5/CTP0/AN5	PA5	PAWU PAPU PAS1	ST	CMOS	General purpose I/O. Register enabled pull-up and wake-up.
	CTP0	PAS1	—	CMOS	CTM0 output
	AN5	PAS1	AN	—	A/D Converter analog input

Pad Name	Function	OPT	I/T	O/T	Description
PA6/INT1/CTP0/ AN6/XT2	PA6	PAWU PAPU PAS1	ST	CMOS	General purpose I/O. Register enabled pull-up and wake-up.
	INT1	PAS1 INTEG INTC2	ST	—	External Interrupt 1
	CTP0	PAS1	—	CMOS	CTM0 output
	AN6	PAS1	AN	—	A/D Converter analog input
	XT2	PAS1	—	LXT	LXT oscillator pin
PA7/CTCK0/ AN7/XT1	PA7	PAWU PAPU PAS1	ST	CMOS	General purpose I/O. Register enabled pull-up and wake-up.
	CTCK0	PAS1	ST	—	CTM0 clock input
	AN7	PAS1	AN	—	A/D Converter analog input
	XT1	PAS1	LXT	—	LXT oscillator pin
PB0/VDDIO	PB0	PBPU PBS0	ST	CMOS	General purpose I/O. Register enabled pull-up.
	VDDIO	PBS0	PWR	—	PC0~PC7 I/O power for level shift
PB1/PTCK1/OSC1	PB1	PBPU PBS0	ST	CMOS	General purpose I/O. Register enabled pull-up.
	PTCK1	PBS0	ST	—	PTM1 clock input
	OSC1	PBS0	HXT	—	HXT oscillator pin
PB2/INT0/OSC2	PB2	PBPU PBS0	ST	CMOS	General purpose I/O. Register enabled pull-up.
	INT0	PBS0 INTEG INTC0	ST	—	External Interrupt 0
	OSC2	PBS0	—	HXT	HXT oscillator pin
PC0/SDO/ VREFI/AN0	PC0	PCPU PCS0	ST	CMOS	General purpose I/O. Register enabled pull-up.
	SDO	PCS0	—	CMOS	SPI data output
	VREFI	PCS0	AN	—	A/D Converter reference voltage input
	AN0	PCS0	AN	—	A/D Converter analog input
PC1/SCK/SCL/ AN1/VREF	PC1	PCPU PCS0	ST	CMOS	General purpose I/O. Register enabled pull-up.
	SCK	PCS0	ST	CMOS	SPI serial clock
	SCL	PCS0	ST	NMOS	I ² C clock line
	AN1	PCS0	AN	—	A/D Converter analog input
	VREF	PCS0	—	AN	A/D Converter reference voltage output
PC2/SDI/SDA/RX	PC2	PCPU PCS0	ST	CMOS	General purpose I/O. Register enabled pull-up.
	SDI	PCS0	ST	—	SPI data input
	SDA	PCS0	ST	NMOS	I ² C data line
	RX	PCS0 IFS	ST	—	UART RX serial data input
PC3/ <u>SCS</u> /TX	PC3	PCPU PCS0	ST	CMOS	General purpose I/O. Register enabled pull-up.
	<u>SCS</u>	PCS0	ST	CMOS	SPI slave select
	TX	PCS0	—	CMOS	UART TX serial data output
PC4/SDOA	PC4	PCPU PCS1	ST	CMOS	General purpose I/O. Register enabled pull-up.
	SDOA	PCS1	—	CMOS	SPIA data output

Pad Name	Function	OPT	I/T	O/T	Description
PC5/SCKA	PC5	PCPU PCS1	ST	CMOS	General purpose I/O. Register enabled pull-up.
	SCKA	PCS1	ST	CMOS	SPIA serial clock
PC6/SDIA	PC6	PCPU PCS1	ST	CMOS	General purpose I/O. Register enabled pull-up.
	SDIA	PCS1	ST	—	SPIA data input
PC7/ $\overline{\text{SCSA}}$	PC7	PCPU PCS1	ST	CMOS	General purpose I/O. Register enabled pull-up.
	$\overline{\text{SCSA}}$	PCS1	ST	CMOS	SPIA slave select
PD0/SCOM0	PD0	PDP PDS0	ST	CMOS	General purpose I/O. Register enabled pull-up.
	SCOM0	PDS0	—	SCOM	LCD common output
PD1/SCOM1	PD1	PDP PDS0	ST	CMOS	General purpose I/O. Register enabled pull-up.
	SCOM1	PDS0	—	SCOM	LCD common output
PD2/SCOM2	PD2	PDP PDS0	ST	CMOS	General purpose I/O. Register enabled pull-up.
	SCOM2	PDS0	—	SCOM	LCD common output
PD3/SCOM3	PD3	PDP PDS0	ST	CMOS	General purpose I/O. Register enabled pull-up.
	SCOM3	PDS0	—	SCOM	LCD common output
PD4~PD7	PDn	PDP	ST	CMOS	General purpose I/O. Register enabled pull-up.
PE0/TX	PE0	PEPU PES0	ST	CMOS	General purpose I/O. Register enabled pull-up.
	TX	PES0	—	CMOS	UART TX serial data output
PE1/RX	PE1	PEPU PES0	ST	CMOS	General purpose I/O. Register enabled pull-up.
	RX	PES0 IFS	ST	—	UART RX serial data input
PE2/CTCK1	PE2	PEPU PES0	ST	CMOS	General purpose I/O. Register enabled pull-up.
	CTCK1	PES0	ST	—	CTM1 clock input
PE3/CTP1	PE3	PEPU PES0	ST	CMOS	General purpose I/O. Register enabled pull-up.
	CTP1	PES0	—	CMOS	CTM1 output
PE4/STCK0	PE4	PEPU PES1	ST	CMOS	General purpose I/O. Register enabled pull-up.
	STCK0	PES1	ST	—	STM0 clock input
PE5/STP0I/STP0	PE5	PEPU PES1	ST	CMOS	General purpose I/O. Register enabled pull-up.
	STP0I	PES1 IFS	ST	—	STM0 capture input
	STP0	PES1	—	CMOS	STM0 output
PE6/STP0I/STP0	PE6	PEPU PES1	ST	CMOS	General purpose I/O. Register enabled pull-up.
	STP0I	PES1 IFS	ST	—	STM0 capture input
	STP0	PES1	—	CMOS	STM0 output
PE7	PE7	PEPU	ST	CMOS	General purpose I/O. Register enabled pull-up.
VDD	VDD	—	PWR	—	Positive power supply
VSS	VSS	—	PWR	—	Negative power supply, ground.
SP+	SP+	—	—	AO	Power amplifier output

Pad Name	Function	OPT	I/T	O/T	Description
SP-	SP-	—	—	AO	Power amplifier output
AUD_IN	AUD_IN	—	AN	—	Power amplifier input
BIAS	BIAS	—	—	AO	Power amplifier voltage bias reference
AUD	AUD	—	—	AO	D/A converter output
AVDD_PA	AVDD_PA	—	PWR	—	Audio Power Amplifier positive power supply
AVSS_PA	AVSS_PA	—	PWR	—	Audio Power Amplifier negative power supply
NC	NC	—	—	—	Not connected

Legend: I/T: Input type; O/T: Output type; PWR: Power;
 OPT: Optional by register option; ST: Schmitt Trigger input; AN: Analog input;
 AO: Analog output; CMOS: CMOS output; NMOS: NMOS output;
 SCOM: Software controlled LCD COM;
 HXT: High frequency crystal oscillator;
 LXT: Low frequency crystal oscillator

Absolute Maximum Ratings

Supply Voltage	$V_{SS}-0.3V$ to $V_{SS}+6.0V$
Input Voltage	$V_{SS}-0.3V$ to $V_{DD}+0.3V$
Storage Temperature.....	$-50^{\circ}C$ to $125^{\circ}C$
Operating Temperature.....	$-40^{\circ}C$ to $85^{\circ}C$
I_{OL} Total	80mA
I_{OH} Total	-80mA
Total Power Dissipation	500mW

Note: These are stress ratings only. Stresses exceeding the range specified under "Absolute Maximum Ratings" may cause substantial damage to these devices. Functional operation of these devices at other conditions beyond those listed in the specification is not implied and prolonged exposure to extreme conditions may affect devices reliability.

D.C. Characteristics

Ta=25°C

Symbol	Parameter	Test Conditions		Min.	Typ.	Max.	Unit
		V _{DD}	Conditions				
V _{DD}	Operating Voltage (HXT)	—	f _{sys} =8MHz	2.2	—	5.5	V
			f _{sys} =12MHz	2.7	—	5.5	V
			f _{sys} =16MHz	3.6	—	5.5	V
	Operating Voltage (HIRC)	—	f _{sys} =8MHz	2.2	—	5.5	V
			f _{sys} =12MHz	2.7	—	5.5	V
			f _{sys} =16MHz	3.6	—	5.5	V
V _{DDIO}	I/O Port C Supply Voltage	—	—	2.2	—	V _{DD}	V
I _{DD}	Operating Current (HXT)	3V	f _{sys} =f _H =4MHz	—	500	750	μA
		5V	No load, all peripherals off	—	1.0	1.5	mA
		3V	f _{sys} =f _H =8MHz	—	1.0	1.5	mA
		5V	No load, all peripherals off	—	2.0	3.0	mA
		3V	f _{sys} =f _H =12MHz	—	1.5	2.75	mA
		5V	No load, all peripherals off	—	3.0	4.5	mA
		5V	f _{sys} =f _H =16MHz	—	6	8	mA
		5V	No load, all peripherals off	—	6	8	mA

Symbol	Parameter	Test Conditions		Min.	Typ.	Max.	Unit	
		V _{DD}	Conditions					
I _{DD}	Operating Current (HIRC)	3V	f _{sys} =f _h =8MHz	—	1.0	1.5	mA	
		5V	No load, all peripherals off	—	2.0	3.0	mA	
		3V	f _{sys} =f _h =12MHz	—	1.5	2.2	mA	
		5V	No load, all peripherals off	—	3.0	4.5	mA	
			5V	f _{sys} =f _h =16MHz, No load, all peripherals off	—	4	6	mA
	Operating Current (LXT)*	3V	f _{sys} =f _{sub} =f _{LXT} =32.768kHz	—	10	20	μA	
		5V	No load, all peripherals off	—	30	50	μA	
	Operating Current (LIRC)	3V	f _{sys} =f _{sub} =f _{LIRC} =32kHz	—	10	20	μA	
5V		No load, all peripherals off	—	30	50	μA		
I _{STB}	Standby Current (IDLE0 Mode)	3V	No load, all peripherals off, f _{sub} on	—	3	5	μA	
		5V	f _{sub} on	—	5	10	μA	
	Standby Current (IDLE1 Mode)	3V	f _{sys} =f _{HXT} =4MHz on, f _{sub} on	—	0.2	0.4	mA	
		5V	No load, all peripherals off	—	0.6	0.8	mA	
		3V	f _{sys} =f _{HXT} =8MHz on, f _{sub} on	—	0.4	0.8	mA	
		5V	No load, all peripherals off	—	1.2	1.6	mA	
		3V	f _{sys} =f _{HXT} =12MHz on, f _{sub} on	—	0.6	1.25	mA	
		5V	No load, all peripherals off	—	2.0	2.5	mA	
		3V	f _{sys} =f _{HIRC} =8MHz on, f _{sub} on	—	0.28	0.35	mA	
		5V	No load, all peripherals off	—	0.55	0.7	mA	
	Standby Current (SLEEP Mode)	3V	f _{sys} =f _{HIRC} =12MHz on, f _{sub} on	—	0.4	0.5	mA	
		5V	No load, all peripherals off	—	0.8	1.0	mA	
		5V	f _{sys} =f _{HIRC} =16MHz on, f _{sub} on No load, all peripherals off	—	1.1	1.4	mA	
		3V	LIRC off, WDT disable	—	0.2	0.8	μA	
	Standby Current (SLEEP Mode)	5V	No load, all peripherals off	—	0.5	1.0	μA	
		3V	LIRC on, WDT enable	—	—	3.0	μA	
5V	No load, all peripherals off	—	—	5.0	μA			
V _{IL}	Input Low Voltage for I/O Ports or Input Pins	5V	—	0	—	1.5	V	
		—	—	0	—	0.2V _{DD}	V	
V _{IH}	Input High Voltage for I/O Ports or Input Pins	5V	—	3.5	—	5.0	V	
		—	—	0.8V _{DD}	—	V _{DD}	V	
I _{OL}	Sink Current for I/O Port	3V	V _{OL} =0.1V _{DD}	17	34	—	mA	
		5V	V _{OL} =0.1V _{DD}	34	68	—	mA	
I _{OH}	Source Current for I/O Port	3V	V _{OH} =0.9V _{DD} ,	-0.7	-1.5	—	mA	
		5V	SLEDC [n+1, n]=00	-1.5	-2.9	—	mA	
		3V	V _{OH} =0.9V _{DD} ,	-1.3	-2.5	—	mA	
		5V	SLEDC [n+1, n]=01	-2.5	-5.1	—	mA	
		5V	V _{OH} =0.9V _{DD} ,	-1.8	-3.6	—	mA	
		3V	SLEDC [n+1, n]=10	-3.6	-7.3	—	mA	
		3V	V _{OH} =0.9V _{DD} ,	-4	-8	—	mA	
5V	SLEDC [n+1, n]=11	-8	-16	—	mA			
R _{PH}	Pull-high Resistance for I/O Ports	3V	—	20	60	100	kΩ	
		5V	—	10	30	50	kΩ	

*: The LXT oscillator is not available for the HT66FV130 device.

A.C. Characteristics

For data in the following tables, note that factors such as oscillator type, operating voltage, operating frequency and temperature etc., can all exert an influence on the measured values.

High Speed Internal Oscillator – HIRC – Frequency Accuracy

During the program writing operation the writer will trim the HIRC oscillator at a user selected HIRC frequency and user selected voltage of either 3V or 5V.

8/12/16MHz

Symbol	Parameter	Test Conditions		Min	Typ	Max	Unit
		V _{DD}	Temp.				
f _{HIRC}	8MHz Writer Trimmed HIRC Frequency	3V/5V	25°C	-2%	8	+2%	MHz
			-40°C ~ 85°C	-7%	8	+7%	
		2.2V~5.5V	25°C	-5%	8	+5%	
			-40°C ~ 85°C	-10%	8	+10%	
	12MHz Writer Trimmed HIRC Frequency	3V/5V	25°C	-2%	12	+2%	MHz
			-40°C ~ 85°C	-7%	12	+7%	
		2.7V~5.5V	25°C	-5%	12	+5%	
			-40°C ~ 85°C	-10%	12	+10%	
	16MHz Writer Trimmed HIRC Frequency	5V	25°C	-2%	16	+2%	MHz
			-40°C ~ 85°C	-7%	16	+7%	
		3.3V~5.5V	25°C	-5%	16	+5%	
			-40°C ~ 85°C	-10%	16	+10%	

Notes: 1. The 3V/5V values for V_{DD} are provided as these are the two selectable fixed voltages at which the HIRC frequency is trimmed by the writer.

- The row below the 3V/5V trim voltage row is provided to show the values for the full V_{DD} range operating voltage. It is recommended that the trim voltage is fixed at 3V for application voltage ranges from 2.2V to 3.6V and fixed at 5V for application voltage ranges from 3.3V to 5.5V.
- The minimum and maximum tolerance values provided in the table are only for the frequency at which the writer trims the HIRC oscillator. After trimming at this chosen specific frequency any change in HIRC oscillator frequency using the oscillator register control bits by the application program will give a frequency tolerance to within ±20%.

T_a=25°C

Symbol	Parameter	Test Condition		Min.	Typ.	Max.	Unit
		V _{DD}	Condition				
f _{SYS}	System Clock (HXT)	2.2V~5.5V	f _{SYS} =f _{HXT} =8MHz	—	8	—	MHz
		2.7V~5.5V	f _{SYS} =f _{HXT} =12MHz	—	12	—	MHz
		3.6V~5.5V	f _{SYS} =f _{HXT} =16MHz	—	16	—	MHz
	System Clock (HIRC)	2.2V~5.5V	f _{SYS} =f _{HIRC} =8MHz	—	8	—	MHz
		2.7V~5.5V	f _{SYS} =f _{HIRC} =12MHz	—	12	—	MHz
		3.6V~5.5V	f _{SYS} =f _{HIRC} =16MHz	—	16	—	MHz
	System Clock (LXT)*	2.2V~5.5V	f _{SYS} =f _{LXT} =32.768kHz	—	32.768	—	kHz
System Clock (LIRC)	2.2V~5.5V	f _{SYS} =f _{LIRC} =32kHz	—	32	—	kHz	
f _{LIRC}	Low Speed Internal RC Oscillator (LIRC)	5V	T _a =25°C	-10%	32	+10%	kHz
		2.2V~5.5V	T _a =-40°C~85°C	-40%	32	+40%	kHz
t _{TPI}	CTPnI, STPnI, PTPnI Pin Minimum Input Pulse Width	—	—	0.3	—	—	µs
t _{INT}	Interrupt Pin Minimum Input Pulse Width	—	—	10	—	—	µs

Symbol	Parameter	Test Condition		Min.	Typ.	Max.	Unit
		V _{DD}	Condition				
t _{SST}	System Start-up Timer Period (Wake-up from Power Down Mode and f _{sys} off)	—	f _{sys} =f _H =f _{HXT} ~f _{HXT} /64	128	—	—	t _{HXT}
		—	f _{sys} =f _H =f _{HIRC} ~f _{HIRC} /64	16	—	—	t _{HIRC}
		—	f _{sys} =f _{SUB} =f _{LXT}	1024	—	—	t _{LXT}
		—	f _{sys} =f _{SUB} =f _{LIRC}	2	—	—	t _{LIRC}
	System Start-up Timer Period (Wake-up from Power Down Mode and f _{sys} on)	—	f _{sys} =f _H ~f _H /64, f _H =f _{HXT} or f _{HIRC}	2	—	—	t _H
		—	f _{sys} =f _{SUB} =f _{LXT} or f _{LIRC}	2	—	—	t _{SUB}
	System Start-up Timer Period (SLOW Mode → NORMAL Mode) (NORMAL Mode → SLOW Mode)	—	f _{HXT} off → on (HXTF=1)	1024	—	—	t _{HXT}
		—	f _{HIRC} off → on (HIRCF=1)	16	—	—	t _{HIRC}
—		f _{LXT} off → on (LXTF=1)	1024	—	—	t _{LXT}	
System Start-up Timer Period (WDT Hardware Reset)	—	—	0	—	—	t _{sys}	
t _{RSTD}	System Reset Delay Time (Power-on Reset, LVR Hardware Reset, LVRC/WDTC/RSTC Software Reset)	—	—	25	50	100	ms
	System Reset Delay Time (WDT Hardware Reset)	—	—	8.3	16.7	33.3	ms
t _{EEERD}	EEPROM Read Time	—	—	—	—	4	t _{sys}
t _{EEWR}	EEPROM Write Time	—	—	—	2	4	ms

*: The LXT oscillator is not available for the HT66FV130 device.

Note: t_{sys}= 1/f_{sys}

A/D Converter Characteristics

T_a=25°C

Symbol	Parameter	Test Conditions		Min.	Typ.	Max.	Unit
		V _{DD}	Conditions				
V _{DD}	Operating Voltage	—	—	2.7	—	5.5	V
V _{ADI}	Input Voltage	—	—	0	—	V _{DD} /V _{REF}	V
V _{REF}	Reference Voltage	—	—	2	—	V _{DD}	V
DNL	Differential Non-linearity	3V	V _{REF} =V _{DD} , t _{ADCK} =0.5μs	—	—	±3	LSB
		5V					
INL	Integral Non-linearity	3V	V _{REF} =V _{DD} , t _{ADCK} =0.5μs	—	—	±4	LSB
		5V					
I _{ADC}	Additional Current Consumption for A/D Converter Enable	3V	No load, t _{ADCK} =0.5μs	—	1.0	2.0	mA
		5V		—	1.5	3.0	mA
t _{ADCK}	Clock Period	—	—	0.5	—	10	μs
t _{ADC}	Conversion Time (A/D Sample and Hold Time)	—	—	—	16	—	t _{ADCK}
t _{ON2ST}	A/D Converter On-to-Start Time	—	—	4	—	—	μs
V _{REFI}	VREFI Pin Input Voltage Range	5V	—	0.2	—	V _{DD} - 1.4	V
G _a	Programmable Gain Amplifier (PGA) Gain Accuracy	5V	Gain=1, 2, 3 or 4 (Note)	- 5%	—	+ 5%	%
I _{PGA}	Additional Current Consumption for PGA Enable	5V	No load	—	200	350	μA

Note: The PGA input voltage on VREFI pin must be in the range of V_{REFI} and the PGA output voltage must not exceed (V_{DD} - 0.2V) with a selected gain to make sure that the PGA operates in the linear region.

LVD/LVR Electrical Characteristics

Ta=25°C

Symbol	Parameter	Test Conditions		Min.	Typ.	Max.	Unit
		V _{DD}	Conditions				
V _{DD}	Operating Voltage	—	—	1.9	—	5.5	V
V _{LVR}	Low Voltage Reset Voltage	—	LVR Enable, voltage select 2.1V	- 5%	2.1	+ 5%	V
			LVR Enable, voltage select 2.55V		2.55		
			LVR Enable, voltage select 3.15V		3.15		
			LVR Enable, voltage select 3.8V		3.8		
V _{LVD}	Low Voltage Detector Voltage	—	LVD Enable, voltage select 2.0V	- 5%	2.0	+ 5%	V
			LVD Enable, voltage select 2.2V		2.2		
			LVD Enable, voltage select 2.4V		2.4		
			LVD Enable, voltage select 2.7V		2.7		
			LVD Enable, voltage select 3.0V		3.0		
			LVD Enable, voltage select 3.3V		3.3		
			LVD Enable, voltage select 3.6V		3.6		
			LVD Enable, voltage select 4.0V		4.0		
V _{BG}	Bandgap Reference Voltage	—	—	- 5%	1.04	+ 5%	V
I _{OP}	LVD/LVR Operating Current	5V	LVD/LVR Enable, VBGEN=0	—	20	25	μA
		5V	LVD/LVR Enable, VBGEN=1	—	180	200	μA
t _{BGS}	V _{BG} Turn on Stable Time	—	No load	—	—	150	μs
t _{LVDS}	LVDO stable time	—	For LVR enable, VBGEN=0, LVD off→on	—	—	15	μs
		—	For LVR disable, VBGEN=0, LVD off→on	—	—	150	μs
t _{LVR}	Minimum Low Voltage Width to Reset	—	—	120	240	480	μs
t _{LVD}	Minimum Low Voltage Width to Interrupt	—	—	60	120	240	μs

Audio D/A Converter Electrical Characteristics

Ta=25°C

Symbol	Parameter	Test Conditions		Min.	Typ.	Max.	Unit
		V _{DD}	Conditions				
V _{DD}	Operating Voltage	—	—	2.2	—	5.5	V
(THD+N)/S	(THD+N)/S ^(Note)	3V	10KΩ Load	—	-50	—	dB
		5V	10KΩ Load	—	-55	—	dB

Note: sine wave input @ 1kHz, -6dB.

Power Amplifier Electrical Characteristics

Ta=25°C

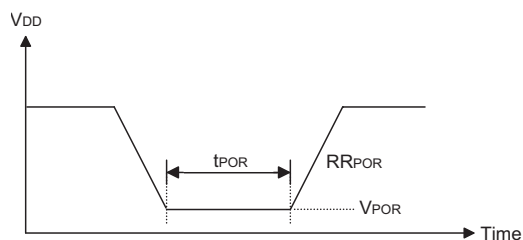
Symbol	Parameter	Test Conditions		Min.	Typ.	Max.	Unit
		V _{DD}	Conditions				
AV _{DD_PA}	Audio Power Amplifier Operating Voltage	—	—	2.2	—	5.5	V
(THD+N)/S	(THD+N)/S ^(Note)	5V	8Ω Load, Output power=500mW	—	0.2	—	%
P _{OUT}	Output Power	3V	8Ω Load, (THD+N)/S=1%	—	410	—	mW
			8Ω Load, (THD+N)/S=10%	—	550	—	mW
		5V	8Ω Load, (THD+N)/S=1%	—	1200	—	mW
			8Ω Load, (THD+N)/S=10%	—	1500	—	mW

Note: sine wave input @ 1kHz, -6dB.

Power-on Reset Characteristics

Ta=25°C

Symbol	Parameter	Test Conditions		Min.	Typ.	Max.	Unit
		V _{DD}	Conditions				
V _{POR}	V _{DD} Start Voltage to Ensure Power-on Reset	—	—	—	—	100	mV
RR _{POR}	V _{DD} Raising Rate to Ensure Power-on Reset	—	—	0.035	—	—	V/ms
t _{POR}	Minimum Time for V _{DD} Stays at V _{POR} to Ensure Power-on Reset	—	—	1	—	—	ms



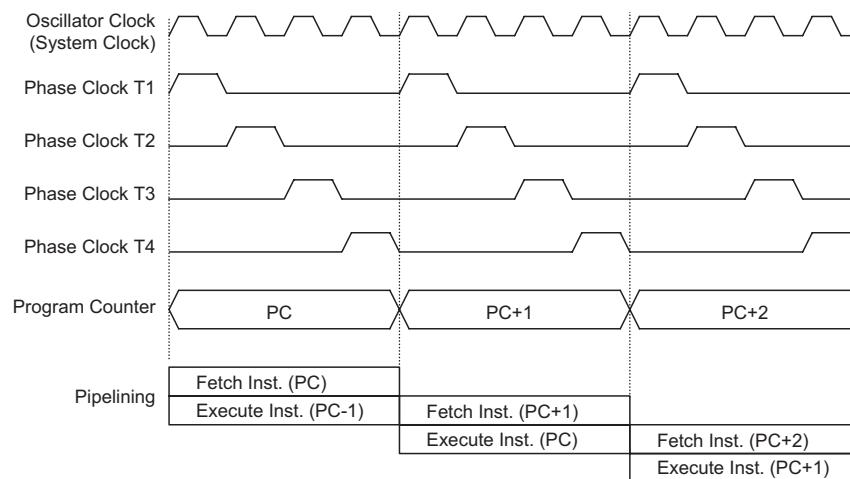
System Architecture

A key factor in the high-performance features of the Holtek range of microcontrollers is attributed to their internal system architecture. The range of devices take advantage of the usual features found within RISC microcontrollers providing increased speed of operation and enhanced performance. The pipelining scheme is implemented in such a way that instruction fetching and instruction execution are overlapped, hence instructions are effectively executed in one cycle, with the exception of branch or call instructions. An 8-bit wide ALU is used in practically all instruction set operations, which carries out arithmetic operations, logic operations, rotation, increment, decrement, branch decisions, etc. The internal data path is simplified by moving data through the Accumulator and the ALU. Certain internal registers are implemented in the Data Memory and can be directly or indirectly addressed. The simple addressing methods of these registers along with additional architectural features ensure that a minimum of external components is required to provide a functional I/O and A/D control system with maximum reliability and flexibility. This makes these devices suitable for low-cost, high-volume production for controller applications.

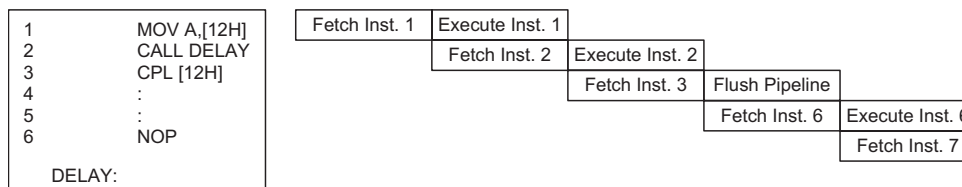
Clocking and Pipelining

The main system clock, derived from either a HXT, LXT, HIRC or LIRC oscillator is subdivided into four internally generated non-overlapping clocks, T1~T4. Note that the LXT oscillator is not available for the HT66FV130 device. The Program Counter is incremented at the beginning of the T1 clock during which time a new instruction is fetched. The remaining T2~T4 clocks carry out the decoding and execution functions. In this way, one T1~T4 clock cycle forms one instruction cycle. Although the fetching and execution of instructions takes place in consecutive instruction cycles, the pipelining structure of the microcontroller ensures that instructions are effectively executed in one instruction cycle. The exception to this are instructions where the contents of the Program Counter are changed, such as subroutine calls or jumps, in which case the instruction will take one more instruction cycle to execute.

For instructions involving branches, such as jump or call instructions, two machine cycles are required to complete instruction execution. An extra cycle is required as the program takes one cycle to first obtain the actual jump or call address and then another cycle to actually execute the branch. The requirement for this extra cycle should be taken into account by programmers in timing sensitive applications.



System Clocking and Pipelining



Instruction Fetching

Program Counter

During program execution, the Program Counter is used to keep track of the address of the next instruction to be executed. It is automatically incremented by one each time an instruction is executed except for instructions, such as "JMP" or "CALL" that demand a jump to a non-consecutive Program Memory address. For the device whose memory capacity is greater than 8K words the Program Memory address may be located in a certain program memory bank which is selected by the program memory bank pointer bit, PMBP0. Only the lower 8 bits, known as the Program Counter Low Register, are directly addressable by the application program.

When executing instructions requiring jumps to non-consecutive addresses such as a jump instruction, a subroutine call, interrupt or reset, etc., the microcontroller manages program control by loading the required address into the Program Counter. For conditional skip instructions, once the condition has been met, the next instruction, which has already been fetched during the present instruction execution, is discarded and a dummy cycle takes its place while the correct instruction is obtained.

Device	Program Counter	
	High Byte	Low Byte (PCL)
HT66FV130	PC10~PC8	PC7~PC0
HT66FV140	PC11~PC8	PC7~PC0
HT66FV150	PC12~PC8	PC7~PC0
HT66FV160	PMBP0, PC12~PC8	PC7~PC0

Program Counter

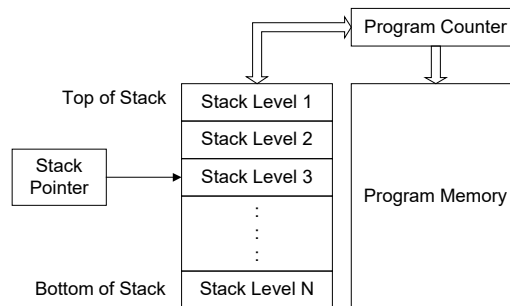
The lower byte of the Program Counter, known as the Program Counter Low register or PCL, is available for program control and is a readable and writeable register. By transferring data directly into this register, a short program jump can be executed directly; however, as only this low byte is available for manipulation, the jumps are limited to the present page of memory that is 256 locations. When such program jumps are executed it should also be noted that a dummy cycle will be inserted. Manipulating the PCL register may cause program branching, so an extra cycle is needed to pre-fetch.

Stack

This is a special part of the memory which is used to save the contents of the Program Counter only. The stack has multiple levels and is neither part of the data nor part of the program space, and is neither readable nor writeable. The activated level is indexed by the Stack Pointer, and is neither readable nor writeable. At a subroutine call or interrupt acknowledge signal, the contents of the Program Counter are pushed onto the stack. At the end of a subroutine or an interrupt routine, signaled by a return instruction, RET or RETI, the Program Counter is restored to its previous value from the stack. After a device reset, the Stack Pointer will point to the top of the stack.

If the stack is full and an enabled interrupt takes place, the interrupt request flag will be recorded but the acknowledge signal will be inhibited. When the Stack Pointer is decremented, by RET or RETI, the interrupt will be serviced. This feature prevents stack overflow allowing the programmer to use the structure more easily. However, when the stack is full, a CALL subroutine instruction can still be executed which will result in a stack overflow. Precautions should be taken to avoid such cases which might cause unpredictable program branching.

If the stack is overflow, the first Program Counter save in the stack will be lost.



Note: N=4 for HT66FV130 while N=8 for HT66FV140/HT66FV150/HT66FV160

Arithmetic and Logic Unit – ALU

The arithmetic-logic unit or ALU is a critical area of the microcontroller that carries out arithmetic and logic operations of the instruction set. Connected to the main microcontroller data bus, the ALU receives related instruction codes and performs the required arithmetic or logical operations after which the result will be placed in the specified register. As these ALU calculation or operations may result in carry, borrow or other status changes, the status register will be correspondingly updated to reflect these changes. The ALU supports the following functions:

- Arithmetic operations:
 ADD, ADDM, ADC, ADCM, SUB, SUBM, SBC, SBCM, DAA
 LADD, LADDM, LADC, LADCM, LSUB, LSUBM, LSBC, LSBCM, LDAA
- Logic operations:
 AND, OR, XOR, ANDM, ORM, XORM, CPL, CPLA
 LAND, LOR, LXOR, LANDM, LORM, LXORM, LCPL, LCPLA
- Rotation:
 RRA, RR, RRCA, RRC, RLA, RL, RLCA, RLC
 LRR, LRRCA, LRR, LRLA, LRL, LRLCA, LRLC
- Increment and Decrement:
 INCA, INC, DECA, DEC
 LINCA, LINC, LDECA, LDEC
- Branch decision:
 JMP, SZ, SZA, SNZ, SIZ, SDZ, SIZA, SDZA, CALL, RET, RETI
 LSZ, LSZA, LSNZ, LSIZ, LSDZ, LSIZA, LSDZA

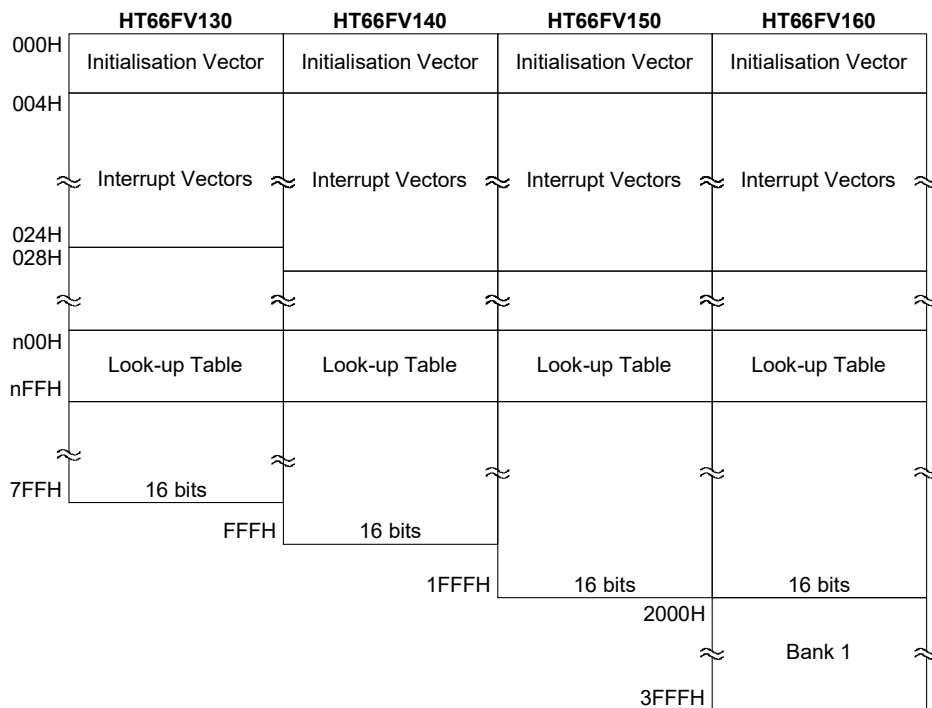
Flash Program Memory

The Program Memory is the location where the user code or program is stored. For these devices series the Program Memory are Flash type, which means it can be programmed and re-programmed a large number of times, allowing the user the convenience of code modification on the same device. By using the appropriate programming tools, these Flash devices offer users the flexibility to conveniently debug and develop their applications while also offering a means of field programming and updating.

Device	Capacity	Banks
HT66FV130	2K×16	—
HT66FV140	4K×16	—
HT66FV150	8K×16	—
HT66FV160	16K×16	0~1

Structure

The Program Memory has a capacity of 2K×16 to 16K×16 bits. The Program Memory is addressed by the Program Counter and also contains data, table information and interrupt entries. Table data, which can be setup in any location within the Program Memory, is addressed by a separate table pointer registers.



Program Memory Structure

Special Vectors

Within the Program Memory, certain locations are reserved for the reset and interrupts. The location 000H is reserved for use by these devices reset for program initialisation. After a device reset is initiated, the program will jump to this location and begin execution.

Look-up Table

Any location within the Program Memory can be defined as a look-up table where programmers can store fixed data. To use the look-up table, the table pointer must first be setup by placing the address of the look up data to be retrieved in the table pointer register, TBLP and TBHP. These registers define the total address of the look-up table.

After setting up the table pointer, the table data can be retrieved from the Program Memory using the "TABRD [m]" or "TABRDL [m]" instructions respectively when the memory [m] is located in sector 0. If the memory [m] is located in other sectors, the data can be retrieved from the program memory using the corresponding extended table read instruction such as "LTABRD [m]" or "LTABRDL [m]" respectively. When the instruction is executed, the lower order table byte from the Program Memory will be transferred to the user defined Data Memory register [m] as specified in the instruction. The higher order table data byte from the Program Memory will be transferred to the TBLH special register. Any unused bits in this transferred higher order byte will be read as "0".

The accompanying diagram illustrates the addressing data flow of the look-up table.

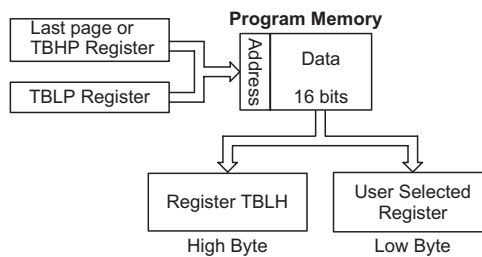


Table Program Example

The accompanying example shows how the table pointer and table data is defined and retrieved from the device. This example uses raw table data located in the last page which is stored there using the ORG statement. The value at this ORG statement is "0F00H" which refers to the start address of the last page within the 4K Program Memory of the device. The table pointer low byte register is setup here to have an initial value of "06H". This will ensure that the first data read from the data table will be at the Program Memory address "0F06H" or 6 locations after the start of the last page. Note that the value for the table pointer is referenced to the first address of the page that TBHP pointed if the "TABRD [m]" instruction is being used. The high byte of the table data which in this case is equal to zero will be transferred to the TBLH register automatically when the "TABRD [m]" instruction is executed.

Because the TBLH register is a read/write register and can be restored, care should be taken to ensure its protection if both the main routine and Interrupt Service Routine use table read instructions. If using the table read instructions, the Interrupt Service Routines may change the value of the TBLH and subsequently cause errors if used again by the main routine. As a rule it is recommended that simultaneous use of the table read instructions should be avoided. However, in situations where simultaneous use cannot be avoided, the interrupts should be disabled prior to the execution of any main routine table-read instructions. Note that all table related instructions require two instruction cycles to complete their operation.

Table Read Program Example

```

tempreg1 db ?      ; temporary register #1
tempreg2 db ?      ; temporary register #2
:
mov a,06h          ; initialise low table pointer - note that this address is referenced
mov tblp,a         ; to the last page or the page that tbhp pointed
mov a,0fh          ; initialise high table pointer
mov tbhp,a
:
tabrd tempreg1     ; transfers value in table referenced by table pointer data at program
                  ; memory address "0F06H" transferred to tempreg1 and TBLH
dec tblp           ; reduce value of table pointer by one
tabrd tempreg2     ; transfers value in table referenced by table pointer data at program
                  ; memory address "0F05H" transferred to tempreg2 and TBLH in this
                  ; example the data "1AH" is transferred to tempreg1 and data "0FH" to
                  ; register tempreg2
:
org 0F00h          ; sets initial address of program memory
dc 00Ah, 00Bh, 00Ch, 00Dh, 00Eh, 00Fh, 01Ah, 01Bh
:

```

In Circuit Programming – ICP

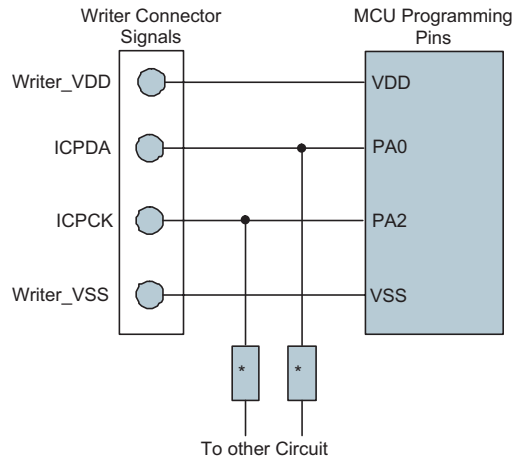
The provision of Flash type Program Memory provides the user with a means of convenient and easy upgrades and modifications to their programs on the same device.

As an additional convenience, Holtek has provided a means of programming the microcontroller in-circuit using a 4-pin interface. This provides manufacturers with the possibility of manufacturing their circuit boards complete with a programmed or un-programmed microcontroller, and then programming or upgrading the program at a later stage. This enables product manufacturers to easily keep their manufactured products supplied with the latest program releases without removal and re-insertion of the device.

Holtek Writer Pins	MCU Programming Pins	Pin Description
ICPDA	PA0	Programming Serial Data/Address
ICPCK	PA2	Programming Clock
VDD	VDD	Power Supply
VSS	VSS	Ground

The Program Memory can be programmed serially in-circuit using this 4-wire interface. Data is downloaded and uploaded serially on a single pin with an additional line for the clock. Two additional lines are required for the power supply. The technical details regarding the in-circuit programming of the device are beyond the scope of this document and will be supplied in supplementary literature.

During the programming process, the user must take care of the ICPDA and ICPCK pins for data and clock programming purposes to ensure that no other outputs are connected to these two pins.



Note: * may be resistor or capacitor. The resistance of * must be greater than 1k or the capacitance of * must be less than 1nF.

On-Chip Debug Support – OCDS

There is an EV chip named HT66VV1x0 which is used to emulate the real MCU device named HT66FV1x0. The EV chip device also provides the "On-Chip Debug" function to debug the real MCU device during development process. The EV chip and real MCU devices, HT66VV1x0 and HT66FV1x0, are almost functional compatible except the "On-Chip Debug" function. Users can use the EV chip device to emulate the real MCU device behaviors by connecting the OCSDSA and OCDSCK pins to the Holtek HT-IDE development tools. The OCSDSA pin is the OCDS Data/Address input/output pin while the OCDSCK pin is the OCDS clock input pin. When users use the EV chip device for debugging, the corresponding pin functions shared with the OCSDSA and OCDSCK pins in the real MCU device will have no effect in the EV chip. However, the two OCDS pins which are pin-shared with the ICP programming pins are still used as the Flash Memory programming pins for ICP. For more detailed OCDS information, refer to the corresponding document named "Holtek e-Link for 8-bit MCU OCDS User's Guide".

Holtek e-Link Pins	EV Chip OCDS Pins	Pin Description
OCSDSA	OCSDSA	On-Chip Debug Support Data/Address input/output
OCDSCK	OCDSCK	On-Chip Debug Support Clock input
VDD	VDD	Power Supply
VSS	VSS	Ground

In Application Programming – IAP

These devices offer IAP function to update data or application program to flash ROM. Users can define any ROM location for IAP, but there are some features which user must notice in using IAP function. Note that the HT66FV130 and HT66FV140 devices support the "Block Erase" function instead of the "Page Erase" function.

HT66FV130/HT66FV140 Configurations		HT66FV150 Configurations		HT66FV160 Configurations	
Erase Block	256 words / block	Erase Page	32 words / page	Erase Page	64 words / page
Writing Word	4 words / time	Writing Word	32 words / time	Writing Word	64 words / time
Reading Word	1 word / time	Reading Word	1 word / time	Reading Word	1 word / time

In Application Programming Control Registers

The Address register, FARL and FARH, the Data registers, FD0L/FD0H, FD1L/FD1H, FD2L/FD2H and FD3L/FD3H, and the Control registers, FC0, FC1 and FC2, are the corresponding Flash access registers located in Data Memory sector 1 for IAP. If using the indirect addressing method to access the FC0, FC1 and FC2 registers, all read and write operations to the registers must be performed using the Indirect Addressing Register, IAR1 or IAR2, and the Memory Pointer pair, MP1L/MP1H or MP2L/MP2H. Because the FC0, FC1 and FC2 control registers are located at the address of 50H~52H in Data Memory sector 1, the desired value ranged from 50H to 52H must first be written into the MP1L or MP2L Memory Pointer low byte and the value "01H" must also be written into the MP1H or MP2H Memory Pointer high byte.

Register Name	Bit							
	7	6	5	4	3	2	1	0
FC0	CFWEN	FMOD2	FMOD1	FMOD0	FWPEN	FWT	FRDEN	FRD
FC1	D7	D6	D5	D4	D3	D2	D1	D0
FC2 (HT66FV150/160)	—	—	—	—	—	—	—	CLWB
FARL	A7	A6	A5	A4	A3	A2	A1	A0
FARH (HT66FV130)	—	—	—	—	—	A10	A9	A8
FARH (HT66FV140)	—	—	—	—	A11	A10	A9	A8
FARH (HT66FV150)	—	—	—	A12	A11	A10	A9	A8
FARH (HT66FV160)	—	—	A13	A12	A11	A10	A9	A8
FD0L	D7	D6	D5	D4	D3	D2	D1	D0
FD0H	D15	D14	D13	D12	D11	D10	D9	D8
FD1L	D7	D6	D5	D4	D3	D2	D1	D0
FD1H	D15	D14	D13	D12	D11	D10	D9	D8
FD2L	D7	D6	D5	D4	D3	D2	D1	D0
FD2H	D15	D14	D13	D12	D11	D10	D9	D8
FD3L	D7	D6	D5	D4	D3	D2	D1	D0
FD3H	D15	D14	D13	D12	D11	D10	D9	D8

IAP Registers List

• **FC0 Register**

Bit	7	6	5	4	3	2	1	0
Name	CFWEN	FMOD2	FMOD1	FMOD0	FWPEN	FWT	FRDEN	FRD
R/W	R/W	R/W	R/W	R/W	R/W	R/W	R/W	R/W
POR	0	1	1	1	0	0	0	0

Bit 7 CFWEN: Flash Memory Write enable control
 0: Flash memory write function is disabled
 1: Flash memory write function has been successfully enabled
 When this bit is cleared to 0 by application program, the Flash memory write function is disabled. Note that writing a "1" into this bit results in no action. This bit is used to indicate that the Flash memory write function status. When this bit is set to 1 by hardware, it means that the Flash memory write function is enabled successfully. Otherwise, the Flash memory write function is disabled as the bit content is zero.

Bit 6~4 FMOD2~FMOD0: Mode selection
 000: Write program memory
 001: Block/Page erase program memory
 010: Reserved
 011: Read program memory
 10x: Reserved
 110: FWEN mode – Flash memory Write function Enabled mode
 111: Reserved
 When these bits are set to "001", the "Block erase" mode is selected for HT66FV130/HT66FV140 while the "Page erase" mode is selected for HT66FV150/HT66FV160.

Bit 3 FWPEN: Flash memory Write Procedure Enable control
 0: Disable
 1: Enable
 When this bit is set to 1 and the FMOD field is set to "110", the IAP controller will execute the "Flash memory write function enable" procedure. Once the Flash memory write function is successfully enabled, it is not necessary to set the FWPEN bit any more.

Bit 2 FWT: Flash memory Write Initiate control
 0: Do not initiate Flash memory write or Flash memory write process is completed
 1: Initiate Flash memory write process
 This bit is set by software and cleared by hardware when the Flash memory write process is completed.

Bit 1 FRDEN: Flash memory Read Enable control
 0: Flash memory read disable
 1: Flash memory read enable

Bit 0 FRD: Flash memory Read Initiate control
 0: Do not initiate Flash memory read or Flash memory read process is completed
 1: Initiate Flash memory read process
 This bit is set by software and cleared by hardware when the Flash memory read process is completed.

• **FC1 Register**

Bit	7	6	5	4	3	2	1	0
Name	D7	D6	D5	D4	D3	D2	D1	D0
R/W	R/W	R/W	R/W	R/W	R/W	R/W	R/W	R/W
POR	0	0	0	0	0	0	0	0

Bit 7~0 D7~D0: Whole chip reset pattern
 When user writes a specific value of "55H" to this register, it will generate a reset signal to reset whole chip.

• **FC2 Register – HT66FV150/HT66FV160**

Bit	7	6	5	4	3	2	1	0
Name	—	—	—	—	—	—	—	CLWB
R/W	—	—	—	—	—	—	—	R/W
POR	—	—	—	—	—	—	—	0

Bit 7~1 Unimplemented, read as 0.

Bit 0 **CLWB:** Flash memory Write Buffer Clear control

0: Do not initiate Write Buffer Clear process or Write Buffer Clear process is completed

1: Initiate Write Buffer Clear process

This bit is set by software and cleared by hardware when the Write Buffer Clear process is completed.

• **FARL Register**

Bit	7	6	5	4	3	2	1	0
Name	A7	A6	A5	A4	A3	A2	A1	A0
R/W	R/W	R/W	R/W	R/W	R/W	R/W	R/W	R/W
POR	0	0	0	0	0	0	0	0

Bit 7~0 Flash Memory Address bit 7~bit 0

• **FARH Register – HT66FV130**

Bit	7	6	5	4	3	2	1	0
Name	—	—	—	—	—	A10	A9	A8
R/W	—	—	—	—	—	R/W	R/W	R/W
POR	—	—	—	—	—	0	0	0

Bit 7~3 Unimplemented, read as 0.

Bit 2~0 Flash Memory Address bit 10~bit 8

• **FARH Register – HT66FV140**

Bit	7	6	5	4	3	2	1	0
Name	—	—	—	—	A11	A10	A9	A8
R/W	—	—	—	—	R/W	R/W	R/W	R/W
POR	—	—	—	—	0	0	0	0

Bit 7~4 Unimplemented, read as 0.

Bit 3~0 Flash Memory Address bit 11~bit 8

• **FARH Register – HT66FV150**

Bit	7	6	5	4	3	2	1	0
Name	—	—	—	A12	A11	A10	A9	A8
R/W	—	—	—	R/W	R/W	R/W	R/W	R/W
POR	—	—	—	0	0	0	0	0

Bit 7~5 Unimplemented, read as 0.

Bit 4~0 Flash Memory Address bit 12~bit 8

• **FARH Register – HT66FV160**

Bit	7	6	5	4	3	2	1	0
Name	—	—	A13	A12	A11	A10	A9	A8
R/W	—	—	R/W	R/W	R/W	R/W	R/W	R/W
POR	—	—	0	0	0	0	0	0

Bit 7~6 Unimplemented, read as 0.

Bit 5~0 Flash Memory Address bit 13~bit 8

• **FD0L Register**

Bit	7	6	5	4	3	2	1	0
Name	D7	D6	D5	D4	D3	D2	D1	D0
R/W	R/W	R/W	R/W	R/W	R/W	R/W	R/W	R/W
POR	0	0	0	0	0	0	0	0

Bit 7~0 The first Flash Memory data bit 7~bit 0

• **FD0H Register**

Bit	7	6	5	4	3	2	1	0
Name	D15	D14	D13	D12	D11	D10	D9	D8
R/W	R/W	R/W	R/W	R/W	R/W	R/W	R/W	R/W
POR	0	0	0	0	0	0	0	0

Bit 7~0 The first Flash Memory data bit 15~bit 8

• **FD1L Register**

Bit	7	6	5	4	3	2	1	0
Name	D7	D6	D5	D4	D3	D2	D1	D0
R/W	R/W	R/W	R/W	R/W	R/W	R/W	R/W	R/W
POR	0	0	0	0	0	0	0	0

Bit 7~0 The second Flash Memory data bit 7~bit 0

• **FD1H Register**

Bit	7	6	5	4	3	2	1	0
Name	D15	D14	D13	D12	D11	D10	D9	D8
R/W	R/W	R/W	R/W	R/W	R/W	R/W	R/W	R/W
POR	0	0	0	0	0	0	0	0

Bit 7~0 The second Flash Memory data bit 15~bit 8

• **FD2L Register**

Bit	7	6	5	4	3	2	1	0
Name	D7	D6	D5	D4	D3	D2	D1	D0
R/W	R/W	R/W	R/W	R/W	R/W	R/W	R/W	R/W
POR	0	0	0	0	0	0	0	0

Bit 7~0 The third Flash Memory data bit 7~bit 0

• **FD2H Register**

Bit	7	6	5	4	3	2	1	0
Name	D15	D14	D13	D12	D11	D10	D9	D8
R/W	R/W	R/W	R/W	R/W	R/W	R/W	R/W	R/W
POR	0	0	0	0	0	0	0	0

Bit 7~0 The third Flash Memory data bit 15~bit 8

• **FD3L Register**

Bit	7	6	5	4	3	2	1	0
Name	D7	D6	D5	D4	D3	D2	D1	D0
R/W	R/W	R/W	R/W	R/W	R/W	R/W	R/W	R/W
POR	0	0	0	0	0	0	0	0

Bit 7~0 The fourth Flash Memory data bit 7~bit 0

• **FD3H Register**

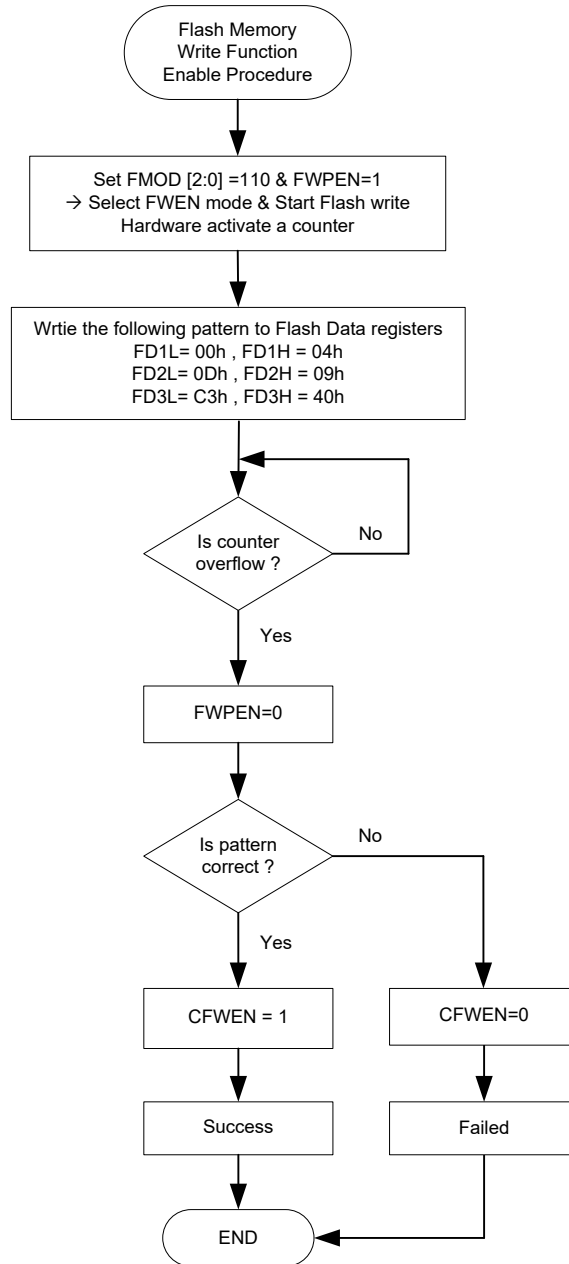
Bit	7	6	5	4	3	2	1	0
Name	D15	D14	D13	D12	D11	D10	D9	D8
R/W	R/W	R/W	R/W	R/W	R/W	R/W	R/W	R/W
POR	0	0	0	0	0	0	0	0

Bit 7~0 The fourth Flash Memory data bit 15~bit 8

Flash Memory Write Function Enable Procedure

In order to allow users to change the Flash memory data through the IAP control registers, users must first enable the Flash memory write operation by the following procedure:

1. Write "110" into the FMOD2~FMOD0 bits to select the FWEN mode.
2. Set the FWPEN bit to "1". The step 1 and step 2 can be executed simultaneously.
3. The pattern data with a sequence of 00H, 04H, 0DH, 09H, C3H and 40H must be written into the FD1L, FD1H, FD2L, FD2H, FD3L and FD3H registers respectively.
4. A counter with a time-out period of 300 μ s will be activated to allow users writing the correct pattern data into the FD1L/FD1H~FD3L/FD3H register pairs. The counter clock is derived from LIRC oscillator.
5. If the counter overflows or the pattern data is incorrect, the Flash memory write operation will not be enabled and users must again repeat the above procedure. Then the FWPEN bit will automatically be cleared to 0 by hardware.
6. If the pattern data is correct before the counter overflows, the Flash memory write operation will be enabled and the FWPEN bit will automatically be cleared to 0 by hardware. The CFWEN bit will also be set to 1 by hardware to indicate that the Flash memory write operation is successfully enabled.
7. Once the Flash memory write operation is enabled, the user can change the Flash ROM data through the Flash control register.
8. To disable the Flash memory write operation, the user can clear the CFWEN bit to 0.



Flash Memory Write Function Enable Procedure

Flash Memory Read/Write Procedure

After the Flash memory write function is successfully enabled through the preceding IAP procedure, users must first erase the corresponding Flash memory block or page and then initiate the Flash memory write operation. For the HT66FV130/HT66FV140 devices the number of the block erase operation is 256 words per block, the available block erase address is only specified by FARH register and the content in the FARL register is not used to specify the block address. For the HT66FV150 and HT66FV160 devices the number of the page erase operation is 32 and 64 words per page respectively, the available page erase address is specified by FARH register and the content of FARL [7:5] and FARL [7:6] bit field respectively.

Eraser Block	FARH [2:0]	FARL [7:0]
0	000	xxxx xxxx
1	001	xxxx xxxx
2	010	xxxx xxxx
3	011	xxxx xxxx
4	100	xxxx xxxx
5	101	xxxx xxxx
6	110	xxxx xxxx
7	111	xxxx xxxx

"x": don't care

HT66FV130 Erase Block Number and Selection

Eraser Block	FARH [3:0]	FARL [7:0]
0	0000	xxxx xxxx
1	0001	xxxx xxxx
2	0010	xxxx xxxx
3	0011	xxxx xxxx
4	0100	xxxx xxxx
5	0101	xxxx xxxx
6	0110	xxxx xxxx
7	0111	xxxx xxxx
8	1000	xxxx xxxx
9	1001	xxxx xxxx
10	1010	xxxx xxxx
11	1011	xxxx xxxx
12	1100	xxxx xxxx
13	1101	xxxx xxxx
14	1110	xxxx xxxx
15	1111	xxxx xxxx

"x": don't care

HT66FV140 Erase Block Number and Selection

Erase Page	FARH	FARL [7:5]	FARL [4:0]
0	0000 0000	000	x xxxx
1	0000 0000	001	x xxxx
2	0000 0000	010	x xxxx
3	0000 0000	011	x xxxx
4	0000 0000	100	x xxxx
5	0000 0000	101	x xxxx
6	0000 0000	110	x xxxx
7	0000 0000	111	x xxxx
8	0000 0001	000	x xxxx
9	0000 0001	001	x xxxx
:	:	:	:
:	:	:	:
126	0000 1111	110	x xxxx
127	0000 1111	111	x xxxx
128	0001 0000	000	x xxxx
129	0001 0000	001	x xxxx
:	:	:	:
:	:	:	:
254	0001 1111	110	x xxxx
255	0001 1111	111	x xxxx

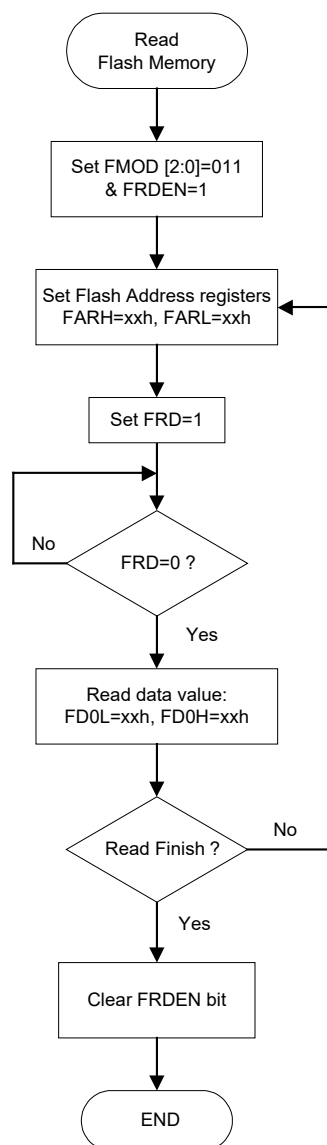
"x": don't care

HT66FV150 Erase Page Number and Selection

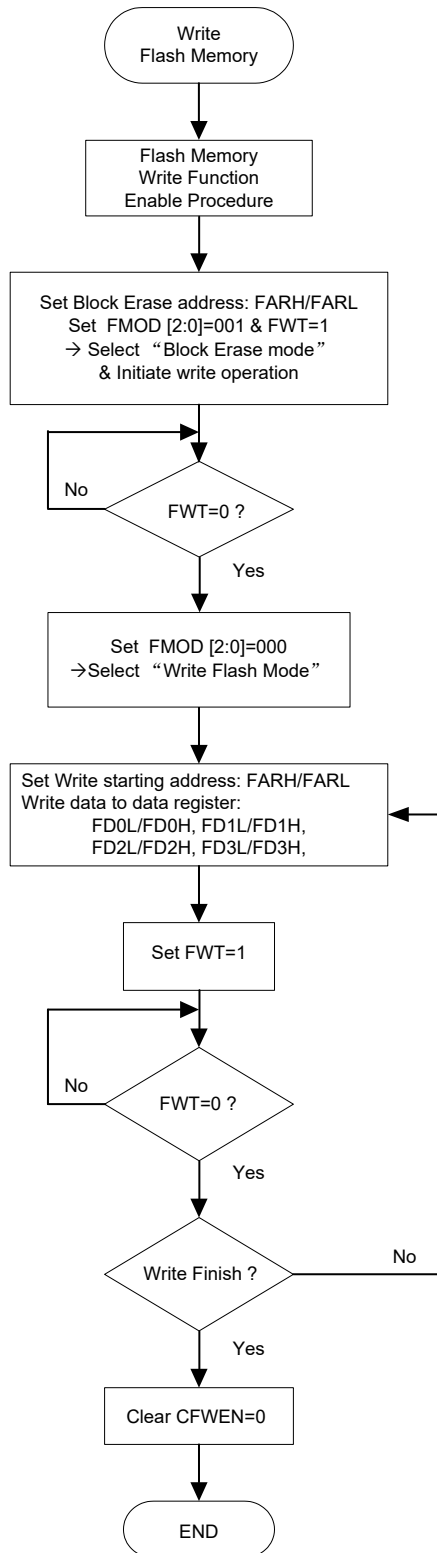
Erase Page	FARH	FARL [7:6]	FARL [5:0]
0	0000 0000	00	xx xxxx
1	0000 0000	01	xx xxxx
2	0000 0000	10	xx xxxx
3	0000 0000	11	xx xxxx
4	0000 0001	00	xx xxxx
5	0000 0001	01	xx xxxx
:	:	:	:
:	:	:	:
126	0001 1111	10	xx xxxx
127	0001 1111	11	xx xxxx
128	0010 0000	00	xx xxxx
129	0010 0000	01	xx xxxx
:	:	:	:
:	:	:	:
254	0011 1111	10	xx xxxx
255	0011 1111	11	xx xxxx

"x": don't care

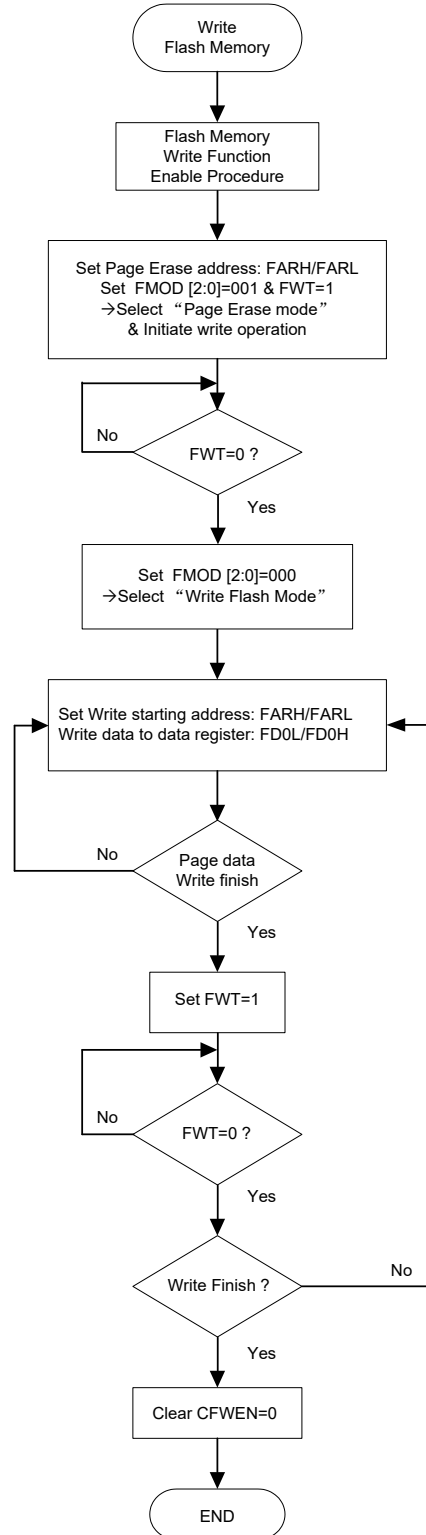
HT66FV160 Erase Page Number and Selection



Read Flash Memory Procedure



Write Flash Memory Procedure – HT66FV130/HT66FV140



Write Flash Memory Procedure – HT66FV150/HT66FV160

Note: When the FWT or FRD bit is set to 1, the MCU is stopped.

Data Memory

The Data Memory is an 8-bit wide RAM internal memory and is the location where temporary information is stored.

Divided into two types, the first of Data Memory is an area of RAM where special function registers are located. These registers have fixed locations and are necessary for correct operation of the device. Many of these registers can be read from and written to directly under program control, however, some remain protected from user manipulation. The second area of Data Memory is reserved for general purpose use. All locations within this area are read and write accessible under program control.

Switching between the different Data Memory sectors is achieved by properly setting the Memory Pointers to correct value.

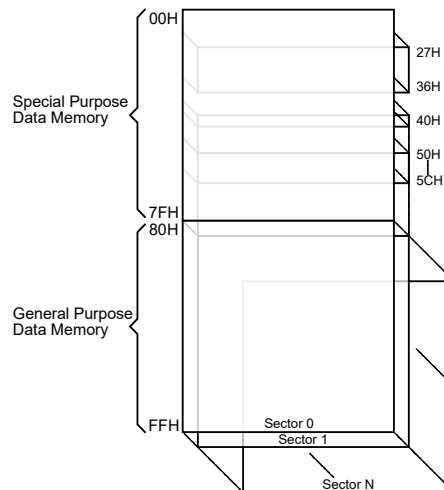
Structure

The Data Memory is subdivided into several sectors, all of which are implemented in 8-bit wide Memory. Each of the Data Memory sectors is categorized into two types, the Special Purpose Data Memory and the General Purpose Data Memory.

The address range of the Special Purpose Data Memory for the device is from 00H to 7FH while the address range of the General Purpose Data Memory is from 80H to FFH.

Device	Special Purpose Data Memory	General Purpose Data Memory	
	Available Sectors	Capacity	Sectors
HT66FV130	0, 1	128 x 8	0: 80H~FFH
HT66FV140	0, 1	256 x 8	0: 80H~FFH 1: 80H~FFH
HT66FV150	0, 1	512 x 8	0: 80H~FFH 1: 80H~FFH 2: 80H~FFH 3: 80H~FFH
HT66FV160	0, 1	1024 x 8	0: 80H~FFH 1: 80H~FFH : 7: 80H~FFH

Data Memory Summary



Note: N=0 for HT66FV130; N=1 for HT66FV140;
 N=3 for HT66FV150; N=7 for HT66FV160

Data Memory Structure

Data Memory Addressing

For these devices support the extended instructions, there is no Bank Pointer for Data Memory. The Bank Pointer, PBP, is only available for Program Memory. For Data Memory the desired Sector is pointed by the MP1H or MP2H register and the certain Data Memory address in the selected sector is specified by the MP1L or MP2L register when using indirect addressing access.

Direct Addressing can be used in all sectors using the corresponding instruction which can address all available data memory space. For the accessed data memory which is located in any data memory sectors except sector 0, the extended instructions can be used to access the data memory instead of using the indirect addressing access. The main difference between standard instructions and extended instructions is that the data memory address "m" in the extended instructions can be from 9 bits to 11 bits depending upon which device is selected, the high byte indicates a sector and the low byte indicates a specific address.

General Purpose Data Memory

All microcontroller programs require an area of read/write memory where temporary data can be stored and retrieved for use later. It is this area of RAM memory that is known as General Purpose Data Memory. This area of Data Memory is fully accessible by the user programing for both reading and writing operations. By using the bit operation instructions individual bits can be set or reset under program control giving the user a large range of flexibility for bit manipulation in the Data Memory.

Special Purpose Data Memory

This area of Data Memory is where registers, necessary for the correct operation of the microcontroller, are stored. Most of the registers are both readable and writeable but some are protected and are readable only, the details of which are located under the relevant Special Function Register section. Note that for locations that are unused, any read instruction to these addresses will return the value "00H".

Sector 0		Sector 1	Sector 0		Sector 1
00H	IAR0		40H	SADC2	EEC
01H	MP0		41H	EEA	
02H	IAR1		42H	EED	
03H	MP1L		43H	PTM1C0	
04H	MP1H		44H	PTM1C1	
05H	ACC		45H	PTM1DL	
06H	PCL		46H	PTM1DH	
07H	TBLP		47H	PTM1AL	
08H	TBLH		48H	PTM1AH	
09H	TBHP		49H	PTM1RPL	
0AH	STATUS		4AH	PTM1RPH	
0BH			4BH		
0CH	IAR2		4CH		
0DH	MP2L		4DH	WDTC	
0EH	MP2H		4EH	PCPU	
0FH			4FH	PC	
10H	INTC0		50H	PCC	FC0
11H			51H		FC1
12H	PA		52H		FC2
13H	PAC		53H		FARL
14H	PAPU		54H	SADOL	FARH
15H	PAWU		55H	SADOH	FD0L
16H			56H	SADC0	FD0H
17H	RSTFC		57H	SADC1	FD1L
18H			58H	PAS0	FD1H
19H			59H	PAS1	FD2L
1AH	PB		5AH	PBS0	FD2H
1BH	PBC		5BH	PCS0	FD3L
1CH	PBPU		5CH	PCS1	FD3H
1DH	PSCR		5DH		
1EH	TB0C		5EH		
1FH	TB1C		5FH	IFS	
20H	SCC		60H	SIMTOC	
21H	HIRCC		61H	SIMC0	
22H	HXTC		62H	SIMC1	
23H			63H	SIMD	
24H			64H	SIMA/SIMC2	
25H	RSTC		65H	SPIAC0	
26H			66H	SPIAC1	
27H	CTM0C0		67H	SPIAD	
28H	CTM0C1		68H		
29H	CTM0DL		69H		
2AH	CTM0DH		6AH		
2BH	CTM0AL		6BH		
2CH	CTM0AH		6CH		
2DH			6DH	SLEDC0	
2EH	LVDC		6EH		
2FH	LVRC		6FH	USVC	
30H	PTM0C0		70H		
31H	PTM0C1		71H	PLAC	
32H	PTM0DL		72H		
33H	PTM0DH		73H		
34H	PTM0AL		74H		
35H	PTM0AH		75H	PLADL	
36H	PTMORPL		76H	PLADH	
37H	PTMORPH		77H		
38H	INTEG				
39H	INTC1				
3AH	INTC2				
3BH	MF10				
3CH	MF11				
3DH					
3EH	MF13				
3FH					

□ : Unused, read as 00H

Speciap Purpose Data Memory Structure – HT66FV130

Sector 0		Sector 1	Sector 0		Sector 1
00H	IAR0		40H	SADC2	EEC
01H	MP0		41H	EEA	
02H	IAR1		42H	EED	
03H	MP1L		43H	PTM1C0	
04H	MP1H		44H	PTM1C1	
05H	ACC		45H	PTM1DL	
06H	PCL		46H	PTM1DH	
07H	TBLP		47H	PTM1AL	
08H	TBLH		48H	PTM1AH	
09H	TBHP		49H	PTM1RPL	
0AH	STATUS		4AH	PTM1RPH	
0BH			4BH		
0CH	IAR2		4CH		
0DH	MP2L		4DH	WDTC	
0EH	MP2H		4EH	PCPU	
0FH			4FH	PC	
10H	INTC0		50H	PCC	FC0
11H			51H		FC1
12H	PA		52H		FC2
13H	PAC		53H		FARL
14H	PAPU		54H	SADOL	FARH
15H	PAWU		55H	SADOH	FD0L
16H			56H	SADC0	FD0H
17H	RSTFC		57H	SADC1	FD1L
18H			58H	PAS0	FD1H
19H			59H	PAS1	FD2L
1AH	PB		5AH	PBS0	FD2H
1BH	PBC		5BH	PCS0	FD3L
1CH	PBPU		5CH	PCS1	FD3H
1DH	PSCR		5DH		
1EH	TBOC		5EH		
1FH	TB1C		5FH	IFS	
20H	SCC		60H	SIMTOC	
21H	HIRCC		61H	SIMC0	
22H	HXTC		62H	SIMC1	
23H	LXTC		63H	SIMD	
24H			64H	SIMA/SIMC2	
25H	RSTC		65H	SPIAC0	
26H			66H	SPIAC1	
27H	CTM0C0		67H	SPIAD	
28H	CTM0C1		68H		
29H	CTM0DL		69H		
2AH	CTM0DH		6AH		
2BH	CTM0AL		6BH		
2CH	CTM0AH		6CH		
2DH			6DH	SLEDC0	
2EH	LVDC		6EH		
2FH	LVRC		6FH	USVC	
30H	PTM0C0		70H		
31H	PTM0C1		71H	PLAC	
32H	PTM0DL		72H		
33H	PTM0DH		73H		
34H	PTM0AL		74H		
35H	PTM0AH		75H	PLADL	
36H	PTM0RPL		76H	PLADH	
37H	PTM0RPH		77H		
38H	INTEG				
39H	INTC1				
3AH	INTC2				
3BH	MF10				
3CH	MF11				
3DH	MF12				
3EH	MF13				
3FH					

Legend: : Unused, read as 00H

Speciap Purpose Data Memory Structure – HT66FV140

	Sector 0	Sector 1	Sector 2 ~ Sector 3		Sector 0	Sector 1	Sector 2 ~ Sector 3
00H	IAR0			40H	SADC2	EEC	
01H	MP0			41H	EEA		
02H	IAR1			42H	EED		
03H	MP1L			43H	PTM1C0		
04H	MP1H			44H	PTM1C1		
05H	ACC			45H	PTM1DL		
06H	PCL			46H	PTM1DH		
07H	TBLP			47H	PTM1AL		
08H	TBLH			48H	PTM1AH		
09H	TBHP			49H	PTM1RPL		
0AH	STATUS			4AH	PTM1RPH		
0BH				4BH			
0CH	IAR2			4CH			
0DH	MP2L			4DH	WDTC		
0EH	MP2H			4EH	PCPU		
0FH				4FH	PC		
10H	INTC0			50H	PCC	FC0	
11H				51H	PDC	FC1	
12H	PA			52H	PD	FC2	
13H	PAC			53H	PDC	FARL	
14H	PAPU			54H	SADOL	FARH	
15H	PAWU			55H	SADOH	FD0L	
16H	PEPU			56H	SADC0	FD0H	
17H	RSTFC			57H	SADC1	FD1L	
18H	PE			58H	PAS0	FD1H	
19H	PEC			59H	PAS1	FD2L	
1AH	PB			5AH	PBS0	FD2H	
1BH	PBC			5BH	PCS0	FD3L	
1CH	PBPU			5CH	PCS1	FD3H	
1DH	PSCR			5DH	PDS0		
1EH	TB0C			5EH			
1FH	TB1C			5FH	IFS		
20H	SCC			60H	SIMTOC		
21H	HIRCC			61H	SIMC0		
22H	HXTC			62H	SIMC1		
23H	LXTC			63H	SIMD		
24H				64H	SIMA/SIMC2		
25H	RSTC			65H	SPIAC0		
26H				66H	SPIAC1		
27H	CTM0C0	CTM1C0		67H	SPIAD		
28H	CTM0C1	CTM1C1		68H	USR		
29H	CTM0DL	CTM1DL		69H	UCR1		
2AH	CTM0DH	CTM1DH		6AH	UCR2		
2BH	CTM0AL	CTM1AL		6BH	TXR_RXR		
2CH	CTM0AH	CTM1AH		6CH	BRG		
2DH				6DH	SLEDC0		
2EH	LVDC			6EH	SLEDC1		
2FH	LVRC			6FH	USVC		
30H	PTM0C0			70H			
31H	PTM0C1			71H	PLAC		
32H	PTM0DL			72H			
33H	PTM0DH			73H			
34H	PTM0AL			74H			
35H	PTM0AH			75H	PLADL		
36H	PTM0RPL			76H	PLADH		
37H	PTM0RPH			77H			
38H	INTEG			78H			
39H	INTC1			79H			
3AH	INTC2			7AH	PES0		
3BH	MF10						
3CH	MF11						
3DH	MF12						
3EH	MF13						
3FH	SCOMC						
				7FH			

□ : Unused, read as 00H

Speciap Purpose Data Memory Structure – HT66FV150

	Sector 0	Sector 1	Sector 2 ~ Sector 7		Sector 0	Sector 1	Sector 2 ~ Sector 7
00H	IAR0			40H	SADC2	EEC	
01H	MP0			41H	EEA		
02H	IAR1			42H	EED		
03H	MP1L			43H	PTM1C0		
04H	MP1H			44H	PTM1C1		
05H	ACC			45H	PTM1DL		
06H	PCL			46H	PTM1DH		
07H	TBLP			47H	PTM1AL		
08H	TBLH			48H	PTM1AH		
09H	TBHP			49H	PTM1RPL		
0AH	STATUS			4AH	PTM1RPH		
0BH	PBP			4BH			
0CH	IAR2			4CH			
0DH	MP2L			4DH	WDTC		
0EH	MP2H			4EH	PCPU		
0FH				4FH	PC		
10H	INTC0			50H	PCC	FC0	
11H				51H	PDPJ	FC1	
12H	PA			52H	PD	FC2	
13H	PAC			53H	PDC	FARL	
14H	PAPU			54H	SADOL	FARH	
15H	PAWU			55H	SADOH	FD0L	
16H	PEPU			56H	SADC0	FD0H	
17H	RSTFC			57H	SADC1	FD1L	
18H	PE			58H	PAS0	FD1H	
19H	PEC			59H	PAS1	FD2L	
1AH	PB			5AH	PBS0	FD2H	
1BH	PBC			5BH	PCS0	FD3L	
1CH	PBPU			5CH	PCS1	FD3H	
1DH	PSCR			5DH	PDS0		
1EH	TB0C			5EH	PDS1		
1FH	TB1C			5FH	IFS		
20H	SCC			60H	SIMTOC		
21H	HIRCC			61H	SIMC0		
22H	HXTC			62H	SIMC1		
23H	LXTC			63H	SIMD		
24H				64H	SIMA/SIMC2		
25H	RSTC			65H	SPIAC0		
26H				66H	SPIAC1		
27H	CTM0C0	CTM1C0		67H	SPIAD		
28H	CTM0C1	CTM1C1		68H	USR		
29H	CTM0DL	CTM1DL		69H	UCR1		
2AH	CTM0DH	CTM1DH		6AH	UCR2		
2BH	CTM0AL	CTM1AL		6BH	TXR_RXR		
2CH	CTM0AH	CTM1AH		6CH	BRG		
2DH				6DH	SLEDC0		
2EH	LVDC			6EH	SLEDC1		
2FH	LVRC			6FH	USVC		
30H	PTM0C0	STM0C0		70H			
31H	PTM0C1	STM0C1		71H	PLAC		
32H	PTM0DL	STM0DL		72H			
33H	PTM0DH	STM0DH		73H			
34H	PTM0AL	STM0AL		74H			
35H	PTM0AH	STM0AH		75H	PLADL		
36H	PTM0RPL	STM0RP		76H	PLADH		
37H	PTM0RPH			77H			
38H	INTEG			78H			
39H	INTC1			79H			
3AH	INTC2			7AH	PES0		
3BH	MF10			7BH	PES1		
3CH	MF11			7CH			
3DH	MF12						
3EH	MF13						
3FH	SCOMC			7FH			

□ : Unused, read as 00H

Speciap Purpose Data Memory Structure – HT66FV160

Special Function Register Description

Most of the Special Function Register details will be described in the relevant functional section. However, several registers require a separate description in this section.

Indirect Addressing Registers – IAR0, IAR1, IAR2

The Indirect Addressing Registers, IAR0, IAR1 and IAR2, although having their locations in normal RAM register space, do not actually physically exist as normal registers. The method of indirect addressing for RAM data manipulation uses these Indirect Addressing Registers and Memory Pointers, in contrast to direct memory addressing, where the actual memory address is specified. Actions on the IAR0, IAR1 and IAR2 registers will result in no actual read or write operation to these registers but rather to the memory location specified by their corresponding Memory Pointers, MP0, MP1L/MP1H or MP2L/MP2H. Acting as a pair, IAR0 and MP0 can together access data only from Sector 0 while the IAR1 register together with MP1L/MP1H register pair and IAR2 register together with MP2L/MP2H register pair can access data from any Data Memory sector. As the Indirect Addressing Registers are not physically implemented, reading the Indirect Addressing Registers indirectly will return a result of "00H" and writing to the registers indirectly will result in no operation.

Memory Pointers – MP0, MP1H/MP1L, MP2H/MP2L

Five Memory Pointers, known as MP0, MP1L, MP1H, MP2L and MP2H, are provided. These Memory Pointers are physically implemented in the Data Memory and can be manipulated in the same way as normal registers providing a convenient way with which to address and track data. When any operation to the relevant Indirect Addressing Registers is carried out, the actual address that the microcontroller is directed to is the address specified by the related Memory Pointer. MP0, together with Indirect Addressing Register, IAR0, are used to access data from Sector 0, while MP1L/MP1H together with IAR1 and MP2L/MP2H together with IAR2 are used to access data from all data sectors according to the corresponding MP1H or MP2H register. Direct Addressing can be used in all data sectors using the corresponding instruction which can address all available data memory space.

Indirect Addressing Program Example

Example 1

```
data .section 'data'
adres1 db ?
adres2 db ?
adres3 db ?
adres4 db ?
block db ?
code .section at 0 code
org 00h
start:
mov a,04h           ; setup size of block
mov block,a
mov a,offset adres1 ; Accumulator loaded with first RAM address
mov mp0,a          ; setup memory pointer with first RAM address
loop:
clr IAR0           ; clear the data at address defined by MP0
inc mp0            ; increment memory pointer
sdz block          ; check if last memory location has been cleared
jmp loop
continue:
:
```

Example 2

```
data .section 'data'
adres1 db ?
adres2 db ?
adres3 db ?
adres4 db ?
block db ?
code .section at 0 'code'
org 00h
start:
mov a,04h           ; setup size of block
mov block,a
mov a,01h           ; setup the memory sector
mov mp1h,a
mov a,offset adres1 ; Accumulator loaded with first RAM address
mov mp1l,a          ; setup memory pointer with first RAM address
loop:
clr IAR1            ; clear the data at address defined by MP1
inc mp1l            ; increment memory pointer MP1L
sdz block           ; check if last memory location has been cleared
jmp loop
continue:
:
```

The important point to note here is that in the example shown above, no reference is made to specific RAM addresses.

Direct Addressing Program Example using extended instructions

```
data .section 'data'
temp db ?
code .section at 0 code
org 00h
start:
lmov a,[m]          ; move [m] data to acc
lsub a, [m+1]        ; compare [m] and [m+1] data
snz c               ; [m]>[m+1]?
jmp continue        ; no
lmov a,[m]           ; yes, exchange [m] and [m+1] data
mov temp,a
lmov a,[m+1]
lmov [m],a
mov a,temp
lmov [m+1],a
continue:
:
```

Note: Here "m" is a data memory address located in any data memory sectors. For example, m=1F0H, it indicates address 0F0H in Sector 1.

Program Memory Bank Pointer – PBP

For the HT66FV160 device the Program Memory is divided into several banks. Selecting the required Program Memory area is achieved using the Program Memory Bank Pointer, PBP. The PBP register should be properly configured before the device executes the "Branch" operation using the "JMP" or "CALL" instruction. After that a jump to a non-consecutive Program Memory address which is located in a certain bank selected by the program memory bank pointer bits will occur.

PBP Register – HT66FV160

Bit	7	6	5	4	3	2	1	0
Name	D7	D6	D5	D4	D3	D2	D1	PBP0
R/W	R/W	R/W	R/W	R/W	R/W	R/W	R/W	R/W
POR	0	0	0	0	0	0	0	0

Bit 7~1 **D7~D1**: General data bits and can be read or written.

Bit 0 **PBP0**: Program Memory Bank Point bit 0
 0: Bank 0
 1: Bank 1

Accumulator – ACC

The Accumulator is central to the operation of any microcontroller and is closely related with operations carried out by the ALU. The Accumulator is the place where all intermediate results from the ALU are stored. Without the Accumulator it would be necessary to write the result of each calculation or logical operation such as addition, subtraction, shift, etc., to the Data Memory resulting in higher programming and timing overheads. Data transfer operations usually involve the temporary storage function of the Accumulator; for example, when transferring data between one user defined register and another, it is necessary to do this by passing the data through the Accumulator as no direct transfer between two registers is permitted.

Program Counter Low Register – PCL

To provide additional program control functions, the low byte of the Program Counter is made accessible to programmers by locating it within the Special Purpose area of the Data Memory. By manipulating this register, direct jumps to other program locations are easily implemented. Loading a value directly into this PCL register will cause a jump to the specified Program Memory location, however, as the register is only 8-bit wide, only jumps within the current Program Memory page are permitted. When such operations are used, note that a dummy cycle will be inserted.

Look-up Table Registers – TBLP, TBHP, TBLH

These three special function registers are used to control operation of the look-up table which is stored in the Program Memory. TBLP and TBHP are the table pointer and indicates the location where the table data is located. Their value must be setup before any table read commands are executed. Their value can be changed, for example using the "INC" or "DEC" instructions, allowing for easy table data pointing and reading. TBLH is the location where the high order byte of the table data is stored after a table read data instruction has been executed. Note that the lower order table data byte is transferred to a user defined location.

Status Register – STATUS

This 8-bit register contains the zero flag (Z), carry flag (C), auxiliary carry flag (AC), overflow flag (OV), SC flag, CZ flag, power down flag (PDF), and watchdog time-out flag (TO). These arithmetic/logical operation and system management flags are used to record the status and operation of the microcontroller.

With the exception of the TO and PDF flags, bits in the status register can be altered by instructions like most other registers. Any data written into the status register will not change the TO or PDF flag. In addition, operations related to the status register may give different results due to the different instruction operations. The TO flag can be affected only by a system power-up, a WDT time-out or by executing the "CLR WDT" or "HALT" instruction. The PDF flag is affected only by executing the "HALT" or "CLR WDT" instruction or during a system power-up.

The Z, OV, AC, C, SC and CZ flags generally reflect the status of the latest operations.

- C is set if an operation results in a carry during an addition operation or if a borrow does not take place during a subtraction operation; otherwise C is cleared. C is also affected by a rotate through carry instruction.
- AC is set if an operation results in a carry out of the low nibbles in addition, or no borrow from the high nibble into the low nibble in subtraction; otherwise AC is cleared.
- Z is set if the result of an arithmetic or logical operation is zero; otherwise Z is cleared.
- OV is set if an operation results in a carry into the highest-order bit but not a carry out of the highest-order bit, or vice versa; otherwise OV is cleared.
- PDF is cleared by a system power-up or executing the "CLR WDT" instruction. PDF is set by executing the "HALT" instruction.
- TO is cleared by a system power-up or executing the "CLR WDT" or "HALT" instruction. TO is set by a WDT time-out.
- SC is the result of the "XOR" operation which is performed by the OV flag and the MSB of the current instruction operation result.
- CZ is the operational result of different flags for different instructions. Refer to register definitions for more details.

In addition, on entering an interrupt sequence or executing a subroutine call, the status register will not be pushed onto the stack automatically. If the contents of the status registers are important and if the subroutine can corrupt the status register, precautions must be taken to correctly save it.

STATUS Register

Bit	7	6	5	4	3	2	1	0
Name	SC	CZ	TO	PDF	OV	Z	AC	C
R/W	R	R	R	R	R/W	R/W	R/W	R/W
POR	x	x	0	0	x	x	x	x

"x": unknown

- Bit 7 **SC**: The result of the "XOR" operation which is performed by the OV flag and the MSB of the instruction operation result.
- Bit 6 **CZ**: The the operational result of different flags for different instructions.
 For SUB/SUBM/LSUB/LSUBM instructions, the CZ flag is equal to the Z flag.
 For SBC/ SBCM/ LSBC/ LSBCM instructions, the CZ flag is the "AND" operation result which is performed by the previous operation CZ flag and current operation zero flag. For other instructions, the CZ flag will not be affected.
- Bit 5 **TO**: Watchdog Time-out flag
 0: After power up ow executing the "CLR WDT" or "HALT" instruction
 1: A watchdog time-out occurred
- Bit 4 **PDF**: Power down flag
 0: After power up ow executing the "CLR WDT" instruction
 1: By executing the "HALT" instructin
- Bit 3 **OV**: Overflow flag
 0: No overflow
 1: An operation results in a carry into the highest-order bit but not a carry out of the highest-order bit or vice versa
- Bit 2 **Z**: Zero flag
 0: The result of an arithmetic or logical operation is not zero
 1: The result of an arithmetic or logical operation is zero
- Bit 1 **AC**: Auxiliary flag
 0: No auxiliary carry
 1: An operation results in a carry out of the low nibbles, in addition, or no borrow from the high nibble into the low nibble in subtraction
- Bit 0 **C**: Carry flag
 0: No carry-out
 1: An operation results in a carry during an addition operation or if a borrow does not take place during a subtraction operation
 The "C" flag is also affected by a rotate through carry instruction.

EEPROM Data Memory

These devices contain an area of internal EEPROM Data Memory. EEPROM, which stands for Electrically Erasable Programmable Read Only Memory, is by its nature a non-volatile form of re-programmable memory, with data retention even when its power supply is removed. By incorporating this kind of data memory, a whole new host of application possibilities are made available to the designer. The availability of EEPROM storage allows information such as product identification numbers, calibration values, specific user data, system setup data or other product information to be stored directly within the product microcontroller. The process of reading and writing data to the EEPROM memory has been reduced to a very trivial affair.

Device	Capacity	Address
HT66FV130	32 x 8	00H~1FH
HT66FV140	64 x 8	00H~3FH
HT66FV150	128 x 8	00H~7FH
HT66FV160	256 x 8	00H~FFH

EEPROM Data Memory Structure

The EEPROM Data Memory capacity is up to 256×8 bits for the series of devices. Unlike the Program Memory and RAM Data Memory, the EEPROM Data Memory is not directly mapped into memory space and is therefore not directly addressable in the same way as the other types of memory. Read and Write operations to the EEPROM are carried out in single byte operations using an address and data register in sector 0 and a single control register in sector 1.

EEPROM Registers

Three registers control the overall operation of the internal EEPROM Data Memory. These are the address register, EEA, the data register, EED and a single control register, EEC. As both the EEA and EED registers are located in sector 0, they can be directly accessed in the same way as any other Special Function Register. The EEC register, however, being located in sector 1, can be read from or written to indirectly using the MP1H/MP1L or MP2H/MP2L Memory Pointer pair and Indirect Addressing Register, IAR1 or IAR2. Because the EEC control register is located at address 40H in sector 1, the Memory Pointer low byte register, MP1L or MP2L, must first be set to the value 40H and the Memory Pointer high byte register, MP1H or MP2H, set to the value, 01H, before any operations on the EEC register are executed.

Register Name	Bit							
	7	6	5	4	3	2	1	0
EEA (HT66FV130)	—	—	—	EEA4	EEA3	EEA2	EEA1	EEA0
EEA (HT66FV140)	—	—	EEA5	EEA4	EEA3	EEA2	EEA1	EEA0
EEA (HT66FV150)	—	EEA6	EEA5	EEA4	EEA3	EEA2	EEA1	EEA0
EEA (HT66FV160)	EEA7	EEA6	EEA5	EEA4	EEA3	EEA2	EEA1	EEA0
EED	D7	D6	D5	D4	D3	D2	D1	D0
EEC	—	—	—	—	WREN	WR	RDEN	RD

EEPROM Registers List

EEA Register – HT66FV130

Bit	7	6	5	4	3	2	1	0
Name	—	—	—	EEA4	EEA3	EEA2	EEA1	EEA0
R/W	—	—	—	R/W	R/W	R/W	R/W	R/W
POR	—	—	—	0	0	0	0	0

Bit 7~5 Unimplemented, read as 0.

Bit 4~0 **EEA4~EEA0**: Data EEPROM address bit 4~bit0

EEA Register – HT66FV140

Bit	7	6	5	4	3	2	1	0
Name	—	—	EEA5	EEA4	EEA3	EEA2	EEA1	EEA0
R/W	—	—	R/W	R/W	R/W	R/W	R/W	R/W
POR	—	—	0	0	0	0	0	0

Bit 7~6 Unimplemented, read as 0.

Bit 5~0 **EEA5~EEA0**: Data EEPROM address bit 5~bit0

EEA Register – HT66FV150

Bit	7	6	5	4	3	2	1	0
Name	—	EEA6	EEA5	EEA4	EEA3	EEA2	EEA1	EEA0
R/W	—	R/W	R/W	R/W	R/W	R/W	R/W	R/W
POR	—	0	0	0	0	0	0	0

Bit 7 Unimplemented, read as 0.

Bit 6~0 **EEA6~EEA0**: Data EEPROM address bit 6~bit0

EEA Register – HT66FV160

Bit	7	6	5	4	3	2	1	0
Name	EEA7	EEA6	EEA5	EEA4	EEA3	EEA2	EEA1	EEA0
R/W	R/W	R/W	R/W	R/W	R/W	R/W	R/W	R/W
POR	0	0	0	0	0	0	0	0

Bit 7~0 **EEA7~EEA0**: Data EEPROM address bit 7~bit0

EED Register

Bit	7	6	5	4	3	2	1	0
Name	D7	D6	D5	D4	D3	D2	D1	D0
R/W	R/W	R/W	R/W	R/W	R/W	R/W	R/W	R/W
POR	0	0	0	0	0	0	0	0

Bit 7~0 **D7~D0**: Data EEPROM data bit 7~bit0

EEC Register

Bit	7	6	5	4	3	2	1	0
Name	—	—	—	—	WREN	WR	RDEN	RD
R/W	—	—	—	—	R/W	R/W	R/W	R/W
POR	—	—	—	—	0	0	0	0

Bit 7~4 Unimplemented, read as 0.

Bit 3 **WREN**: Data EEPROM write enable

0: Disable

1: Enable

This is the Data EEPROM Write Enable Bit which must be set high before Data EEPROM write operations are carried out. Clearing this bit to zero will inhibit Data EEPROM write operations.

Bit 2 **WR**: EEPROM write control

0: Write cycle has finished

1: Activate a write cycle

This is the Data EEPROM Write Control Bit and when set high by the application program will activate a write cycle. This bit will be automatically reset to zero by the hardware after the write cycle has finished. Setting this bit high will have no effect if the WREN has not first been set high.

Bit 1 **RDEN**: Data EEPROM read enable

0: Disable

1: Enable

This is the Data EEPROM Read Enable Bit which must be set high before Data EEPROM read operations are carried out. Clearing this bit to zero will inhibit Data EEPROM read operations.

Bit 0 **RD**: EEPROM read control

0: Read cycle has finished

1: Activate a read cycle

This is the Data EEPROM Read Control Bit and when set high by the application program will activate a read cycle. This bit will be automatically reset to zero by the hardware after the read cycle has finished. Setting this bit high will have no effect if the RDEN has not first been set high.

Note: The WREN, WR, RDEN and RD can not be set to "1" at the same time in one instruction. The WR and RD can not be set to "1" at the same time.

Reading Data from the EEPROM

To read data from the EEPROM, the read enable bit, RDEN, in the EEC register must first be set high to enable the read function. The EEPROM address of the data to be read must then be placed in the EEA register. If the RD bit in the EEC register is now set high, a read cycle will be initiated. Setting the RD bit high will not initiate a read operation if the RDEN bit has not been set. When the read cycle terminates, the RD bit will be automatically cleared to zero, after which the data can be read from the EED register. The data will remain in the EED register until another read or write operation is executed. The application program can poll the RD bit to determine when the data is valid for reading.

Writing Data to the EEPROM

To write data to the EEPROM, the EEPROM address of the data to be written must first be placed in the EEA register and the data placed in the EED register. Then the write enable bit, WREN, in the EEC register must first be set high to enable the write function. After this, the WR bit in the EEC register must be immediately set high to initiate a write cycle. These two instructions must be executed consecutively. The global interrupt bit EMI should also first be cleared before implementing any write operations, and then set again after the write cycle has started. Note that setting the WR bit high will not initiate a write cycle if the WREN bit has not been set. As the EEPROM write cycle is controlled using an internal timer whose operation is asynchronous to microcontroller system clock, a certain time will elapse before the data will have been written into the EEPROM. Detecting when the write cycle has finished can be implemented either by polling the WR bit in the EEC register or by using the EEPROM interrupt. When the write cycle terminates, the WR bit will be automatically cleared to zero by the microcontroller, informing the user that the data has been written to the EEPROM. The application program can therefore poll the WR bit to determine when the write cycle has ended.

Write Protection

Protection against inadvertent write operation is provided in several ways. After the device is powered on, the Write Enable bit in the control register will be cleared preventing any write operations. Also at power-on the Memory Pointer high byte register, MP1H or MP2H, will be reset to zero, which means that Data Memory sector 0 will be selected. As the EEPROM control register is located in sector 1, this adds a further measure of protection against spurious write operations. During normal program operation, ensuring that the Write Enable bit in the control register is cleared will safeguard against incorrect write operations.

EEPROM Interrupt

The EEPROM write interrupt is generated when an EEPROM write cycle has ended. The EEPROM interrupt must first be enabled by setting the DEE bit in the relevant interrupt register. However, as the EEPROM is contained within a Multi-function Interrupt, the associated multi-function interrupt enable bit must also be set. When an EEPROM write cycle ends, the DEF request flag and its associated multi-function interrupt request flag will both be set. If the global, EEPROM and Multi-function interrupts are enabled and the stack is not full, a jump to the associated Multi-function Interrupt vector will take place. When the interrupt is serviced only the Multi-function interrupt flag will be automatically reset, the EEPROM interrupt flag must be manually reset by the application program.

Programming Considerations

Care must be taken that data is not inadvertently written to the EEPROM. Protection can be Periodic by ensuring that the Write Enable bit is normally cleared to zero when not writing. Also the Memory Pointer high byte register could be normally cleared to zero as this would inhibit access to sector 1 where the EEPROM control register exist. Although certainly not necessary, consideration might be given in the application program to the checking of the validity of new write data by a simple read back process. When writing data the WR bit must be set high immediately after the WREN bit has been set high, to ensure the write cycle executes correctly. The global interrupt bit EMI should also be cleared before a write cycle is executed and then re-enabled after the write cycle starts. Note that the device should not enter the IDLE or SLEEP mode until the EEPROM read or write operation is totally complete. Otherwise, the EEPROM read or write operation will fail.

Programming Example

Reading data from the EEPROM – polling method

```
MOV A, EEPROM_ADRES      ; user defined address
MOV EEA, A
MOV A, 040H              ; setup memory pointer low byte MP1L
MOV MP1L, A              ; MP1L points to EEC register
MOV A, 01H               ; setup Memory Pointer high byte MP1H
MOV MP1H, A
SET IAR1.1               ; set RDEN bit, enable read operations
SET IAR1.0               ; start Read Cycle - set RD bit
BACK:
SZ IAR1.0                ; check for read cycle end
JMP BACK
CLR IAR1                  ; disable EEPROM write
CLR MP1H
MOV A, EED                ; move read data to register
MOV READ_DATA, A
```

Writing Data to the EEPROM – polling method

```
MOV A, EEPROM_ADRES      ; user defined address
MOV EEA, A
MOV A, EEPROM_DATA       ; user defined data
MOV EED, A
MOV A, 040H              ; setup memory pointer low byte MP1L
MOV MP1L, A              ; MP1L points to EEC register
MOV A, 01H               ; setup Memory Pointer high byte MP1H
MOV MP1H, A
CLR EMI
SET IAR1.3               ; set WREN bit, enable write operations
SET IAR1.2               ; start Write Cycle - set WR bit
SET EMI
BACK:
SZ IAR1.2                ; check for write cycle end
JMP BACK
CLR IAR1                  ; disable EEPROM write
CLR MP1H
```

Oscillator

Various oscillator types offer the user a wide range of functions according to their various application requirements. The flexible features of the oscillator functions ensure that the best optimisation can be achieved in terms of speed and power saving. Oscillator selections and operation are selected through a combination of application program and relevant control registers.

Oscillator Overview

In addition to being the source of the main system clock the oscillators also provide clock sources for the Watchdog Timer and Time Base Interrupts. External oscillators requiring some external components as well as fully integrated internal oscillators, requiring no external components, are provided to form a wide range of both fast and slow system oscillators. All oscillator options are selected through register programming. The higher frequency oscillators provide higher performance but carry with it the disadvantage of higher power requirements, while the opposite is of course true for the lower frequency oscillators. With the capability of dynamically switching between fast and slow system clock, the device has the flexibility to optimize the performance/power ratio, a feature especially important in power sensitive portable applications.

Note that the LXT oscillator is not integrated in the HT66FV130 device. All of the mentioned functions related to the LXT oscillator in this chapter is not available in the HT66FV130 device.

Type	Name	Frequency	Pins
External High Speed Crystal	HXT	400 kHz~20 MHz	OSC1/OSC2
Internal High Speed RC	HIRC	8/12/16 MHz	—
External Low Speed Crystal	LXT *	32.768 kHz	XT1/XT2
Internal Low Speed RC	LIRC	32 kHz	—

Oscillator Types

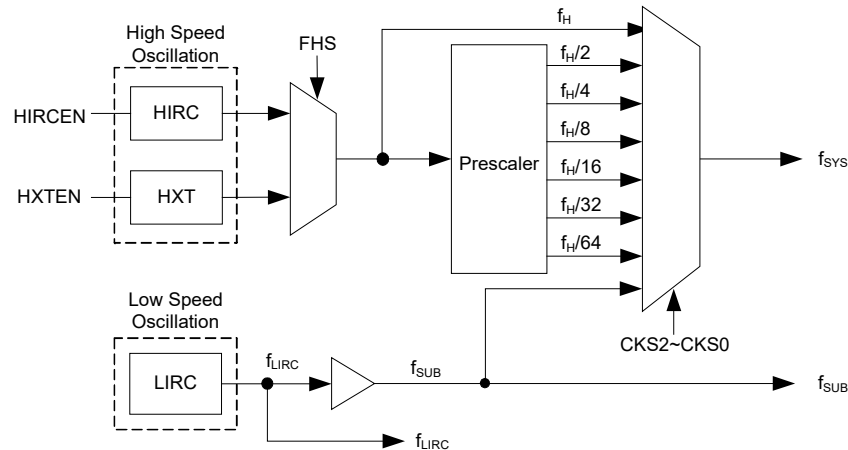
Device	Oscillator			
	HXT	HIRC	LIRC	LXT
HT66FV130	√	√	√	—
HT66FV140	√	√	√	√
HT66FV150	√	√	√	√
HT66FV160	√	√	√	√

Oscillator Configurations

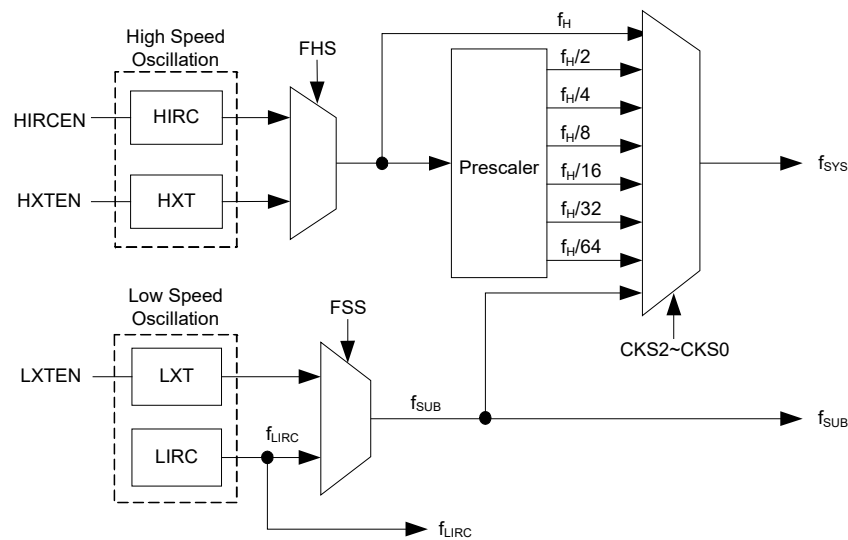
System Clock Configurations

There are four methods of generating the system clock, two high speed oscillators for all devices and two low speed oscillators for specific devices. The high speed oscillator is the external crystal/ceramic oscillator, HXT, and the internal 8/12/16 MHz RC oscillator, HIRC. The two low speed oscillators are the internal 32 kHz RC oscillator, LIRC, and the external 32.768 kHz crystal oscillator, LXT. Note that the LXT oscillator is not integrated in the HT66FV130 device. Selecting whether the low or high speed oscillator is used as the system oscillator is implemented using the CKS2~CKS0 bits in the SCC register and as the system clock can be dynamically selected.

The actual source clock used for the low speed oscillators is chosen via the FSS bit in the SCC register while for the high speed oscillator the source clock is selected by the FHS bit in the SCC register. The frequency of the slow speed or high speed system clock is determined using the CKS2~CKS0 bits in the SCC register. Note that two oscillator selections must be made namely one high speed and one low speed system oscillators. It is not possible to choose a no-oscillator selection for either the high or low speed oscillator.



System Clock Configurations – HT66FV130

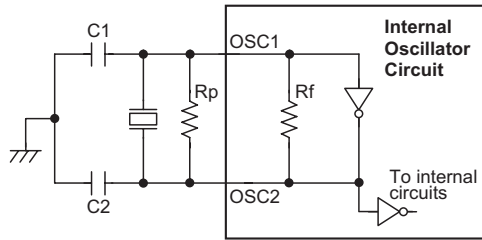


System Clock Configurations – HT66FV140/HT66FV150/HT66FV160

External Crystal/Ceramic Oscillator – HXT

The External Crystal/Ceramic System Oscillator is the high frequency oscillator, which is the default oscillator clock source after power on. For most crystal oscillator configurations, the simple connection of a crystal across OSC1 and OSC2 will create the necessary phase shift and feedback for oscillation, without requiring external capacitors. However, for some crystal types and frequencies, to ensure oscillation, it may be necessary to add two small value capacitors, C1 and C2. Using a ceramic resonator will usually require two small value capacitors, C1 and C2, to be connected as shown for oscillation to occur. The values of C1 and C2 should be selected in consultation with the crystal or resonator manufacturer's specification.

For oscillator stability and to minimise the effects of noise and crosstalk, it is important to ensure that the crystal and any associated resistors and capacitors along with interconnecting lines are all located as close to the MCU as possible.



Note: 1. Rp is normally not required. C1 and C2 are required.
 2. Although not shown OSC1/OSC2 pins have a parasitic capacitance of around 7pF.

Crystal/Resonator Oscillator

HXT Oscillator C1 and C2 Values		
Crystal Frequency	C1	C2
12MHz	0 pF	0 pF
8MHz	0 pF	0 pF
4MHz	0 pF	0 pF
1MHz	100 pF	100 pF

Note: C1 and C2 values are for guidance only.

Crystal Recommended Capacitor Values

Internal High Speed RC Oscillator – HIRC

The internal RC oscillator is a fully integrated system oscillator requiring no external components. The internal RC oscillator has a fixed frequency of 8/12/16 MHz. Device trimming during the manufacturing process and the inclusion of internal frequency compensation circuits are used to ensure that the influence of the power supply voltage, temperature and process variations on the oscillation frequency are minimised. As a result, at a power supply of 5V and at a temperature of 25°C degrees, the fixed oscillation frequency of 8MHz, 12MHz or 16MHz will have a tolerance within 2%. Note that if this internal system clock option is selected, as it requires no external pins for its operation, I/O pins are free for use as normal I/O pins.

External 32.768 kHz Crystal Oscillator – LXT

The External 32.768 kHz Crystal System Oscillator is one of the low frequency oscillator choices, which is selected via a software control bit, FSS. Note that the LXT oscillator is not integrated in the HT66FV130 device. This clock source has a fixed frequency of 32.768 kHz and requires a 32.768 kHz crystal to be connected between pins XT1 and XT2. The external resistor and capacitor components connected to the 32.768 kHz crystal are necessary to provide oscillation. For applications where precise frequencies are essential, these components may be required to provide frequency compensation due to different crystal manufacturing tolerances. After the LXT oscillator is enabled by setting the LXTEN bit to 1, there is a time delay associated with the LXT oscillator waiting for it to start-up.

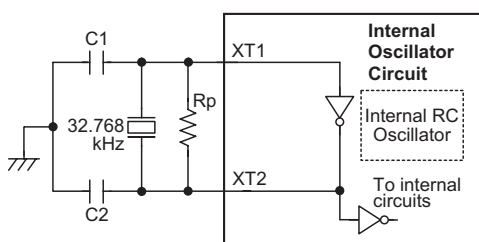
When the microcontroller enters the SLEEP or IDLE Mode, the system clock is switched off to stop microcontroller activity and to conserve power. However, in many microcontroller applications it may be necessary to keep the internal timers operational even when the microcontroller is in the SLEEP or IDLE Mode. To do this, another clock, independent of the system clock, must be provided.

However, for some crystals, to ensure oscillation and accurate frequency generation, it is necessary to add two small value external capacitors, C1 and C2. The exact values of C1 and C2 should be selected in consultation with the crystal or resonator manufacturer's specification. The external parallel feedback resistor, Rp, is required.

The pin-shared software control bits determine if the XT1/XT2 pins are used for the LXT oscillator or as I/O or other pin-shared functional pins.

- If the LXT oscillator is not used for any clock source, the XT1/XT2 pins can be used as normal I/O or other pin-shared functional pins.
- If the LXT oscillator is used for any clock source, the 32.768 kHz crystal should be connected to the XT1/XT2 pins.

For oscillator stability and to minimise the effects of noise and crosstalk, it is important to ensure that the crystal and any associated resistors and capacitors along with interconnecting lines are all located as close to the MCU as possible.



Note: 1. Rp, C1 and C2 are required.
 2. Although not shown pins have a parasitic capacitance of around 7pF.

External LXT Oscillator

LXT Oscillator Low Power Function

The LXT oscillator can function in one of two modes, the Speed-Up Mode and the Low-Power Mode. The mode selection is executed using the LXTSP bit in the LXTC register.

LXTSP	LXT Operating Mode
0	Low-Power
1	Speed-Up

When the LXTSP bit is set to high, the LXT Quick Start Mode will be enabled. In the Speed-Up Mode the LXT oscillator will power up and stabilise quickly. However, after the LXT oscillator has fully powered up, it can be placed into the Low-Power Mode by clearing the LXTSP bit to zero and the oscillator will continue to run bit with reduced current consumption. It is important to note that the LXT operating mode switching must be properly controlled before the LXT oscillator clock is selected as the system clock source. Once the LXT oscillator clock is selected as the system clock source using the CKS bit field and FSS bit in the SCC register, the LXT oscillator operating mode can not be changed.

It should be note, that no matter what condition the LXTSP is set to, the LXT oscillator will always function normally. The only difference is that it will take more time to start up if in the Low Power Mode.

Internal 32kHz Oscillator – LIRC

The Internal 32 kHz System Oscillator is one of the low frequency oscillator choices, which is selected via a software control bit, FSS. It is a fully integrated RC oscillator with a typical frequency of 32 kHz at 5V, requiring no external components for its implementation. Device trimming during the manufacturing process and the inclusion of internal frequency compensation circuits are used to ensure that the influence of the power supply voltage, temperature and process variations on the oscillation frequency are minimised. As a result, at a power supply of 5V and at a temperature of 25°C degrees, the fixed oscillation frequency of 32 kHz will have a tolerance within 10%.

Supplementary Oscillators

The low speed oscillators, in addition to providing a system clock source are also used to provide a clock source to two other device functions. These are the Watchdog Timer and the Time Base Interrupts.

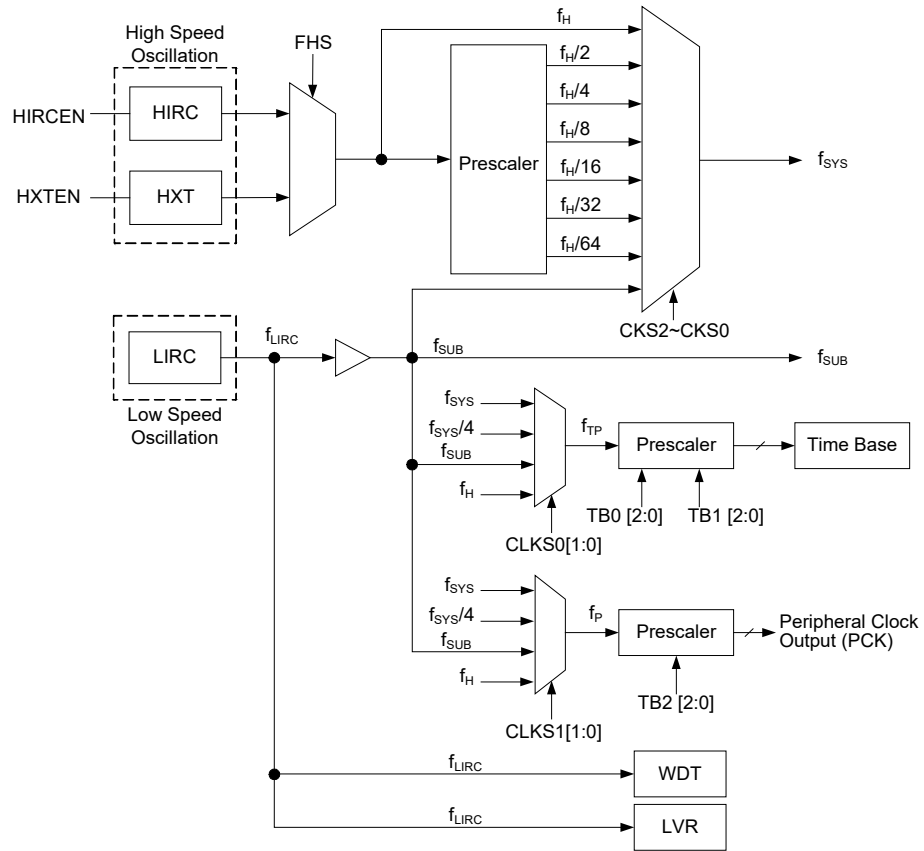
Operating Modes and System Clocks

Present day applications require that their microcontrollers have high performance but often still demand that they consume as little power as possible, conflicting requirements that are especially true in battery powered portable applications. The fast clocks required for high performance will by their nature increase current consumption and of course vice-versa, lower speed clocks reduce current consumption. As Holtek has provided these devices with both high and low speed clock sources and the means to switch between them dynamically, the user can optimise the operation of their microcontroller to achieve the best performance/power ratio.

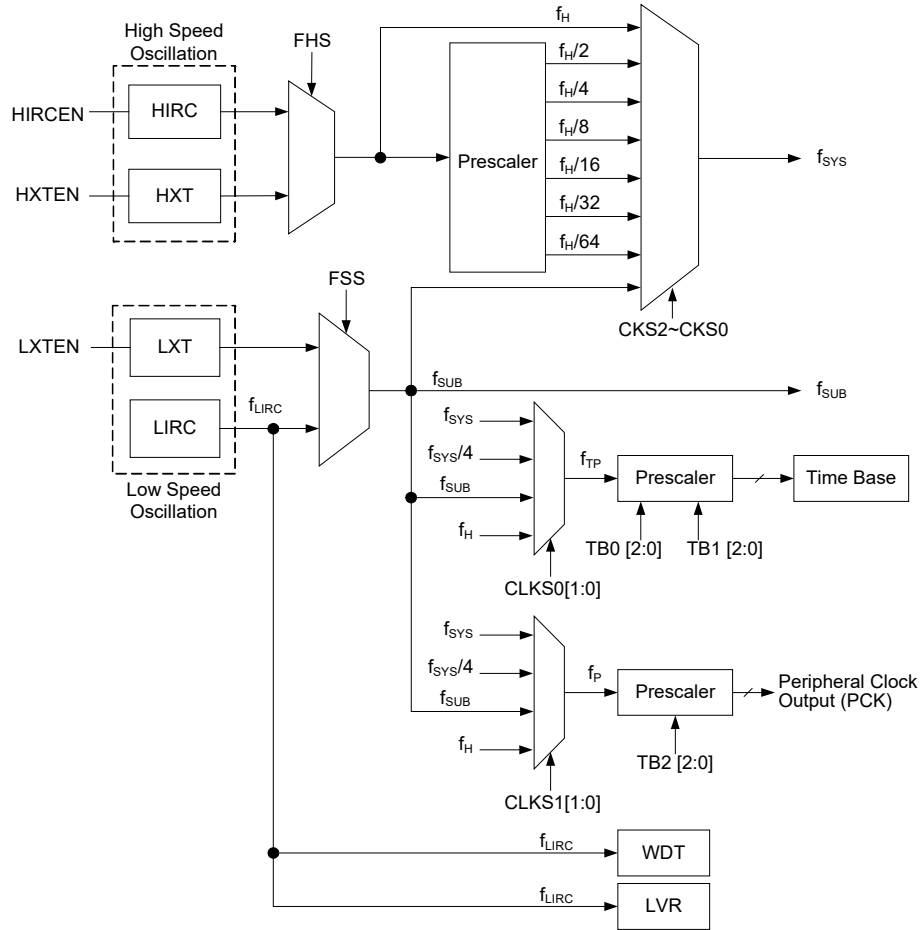
System Clocks

Each device has different clock sources for both the CPU and peripheral function operation. By providing the user with a wide range of clock selections using register programming, a clock system can be configured to obtain maximum application performance.

The main system clock, can come from either a high frequency, f_H , or low frequency, f_{SUB} , source, and is selected using the CKS2~CKS0 bits in the SCC register. The high speed system clock is sourced from an HXT or HIRC oscillator, selected via configuring the FHS bit in the SCC register. The low speed system clock source can be sourced from the internal clock f_{SUB} . If f_{SUB} is selected then it can be sourced by either the LXT or LIRC oscillators, selected via configuring the FSS bit in the SCC register. The other choice, which is a divided version of the high speed system oscillator has a range of $f_H/2 \sim f_H/64$.



Device Clock Configurations – HT66FV130



Device Clock Configurations – HT66FV140/HT66FV150/HT66FV160

Note: When the system clock source f_{SYS} is switched to f_{SUB} from f_H , the high speed oscillation can be stopped to conserve the power or continue to oscillate to provide the clock source, $f_H \sim f_H/64$, for peripheral circuit to use, which is determined by configuring the corresponding high speed oscillator enable control bit.

System Operation Modes

There are six different modes of operation for the microcontroller, each one with its own special characteristics and which can be chosen according to the specific performance and power requirements of the application. There are two modes allowing normal operation of the microcontroller, the NORMAL Mode and SLOW Mode. The remaining four modes, the SLEEP, IDLE0, IDLE1 and IDLE2 Mode are used when the microcontroller CPU is switched off to conserve power.

Operation Mode	CPU	Register Setting			f _{sys}	f _H	f _{sub}	f _{LIRC}
		FHIDEN	FSIDEN	CKS2~CKS0				
NORMAL	On	x	x	000~110	f _H ~f _H /64	On	On	On
SLOW	On	x	x	111	f _{sub}	On/Off ⁽¹⁾	On	On
IDLE0	Off	0	1	000~110	Off	Off	On	On
				111	On			
IDLE1	Off	1	1	xxx	On	On	On	On
IDLE2	Off	1	0	000~110	On	On	Off	On
				111	Off			
SLEEP	Off	0	0	xxx	Off	Off	Off	On/Off ⁽²⁾

Note: 1. The f_H clock will be switched on or off by configuring the corresponding oscillator enable bit in the SLOW mode.

2. The f_{LIRC} clock can be switched on or off which is controlled by the WDT function being enabled or disabled.

NORMAL Mode

As the name suggests this is one of the main operating modes where the microcontroller has all of its functions operational and where the system clock is provided by one of the high speed oscillators. This mode operates allowing the microcontroller to operate normally with a clock source will come from one of the high speed oscillators, either the HXT or HIRC oscillators. The high speed oscillator will however first be divided by a ratio ranging from 1 to 64, the actual ratio being selected by the CKS2~CKS0 bits in the SCC register. Although a high speed oscillator is used, running the microcontroller at a divided clock ratio reduces the operating current.

SLOW Mode

This is also a mode where the microcontroller operates normally although now with a slower speed clock source. The clock source used will be from f_{sub}. The f_{sub} clock is derived from either the LIRC or LXT oscillator. Note that the LXT oscillator is not integrated in the HT66FV130 device.

SLEEP Mode

The SLEEP Mode is entered when a HALT instruction is executed and when the FHIDEN and FSIDEN bit are low. In the SLEEP mode the CPU will be stopped. However the f_{LIRC} clock can still continue to operate if the WDT function is enabled.

IDLE0 Mode

The IDLE0 Mode is entered when a HALT instruction is executed and when the FHIDEN bit in the SCC register is low and the FSIDEN bit in the SCC register is high. In the IDLE0 Mode the CPU will be switched off but the low speed oscillator will be turned on to drive some peripheral functions.

IDLE1 Mode

The IDLE1 Mode is entered when a HALT instruction is executed and when the FHIDEN bit in the SCC register is high and the FSIDEN bit in the SCC register is high. In the IDLE1 Mode the CPU will be switched off but both the high and low speed oscillators will be turned on to provide a clock source to keep some peripheral functions operational.

IDLE2 Mode

The IDLE2 Mode is entered when a HALT instruction is executed and when the FHIDEN bit in the SCC register is high and the FSIDEN bit in the SCC register is low. In the IDLE2 Mode the CPU will be switched off but the high speed oscillator will be turned on to provide a clock source to keep some peripheral functions operational.

Control Registers

The registers, SCC, HIRCC, HXTC and LXTC, are used to control the system clock and the corresponding oscillator configurations. Note that the LXTC register does not exist in the HT66FV130 device as the LXT oscillator is not integrated in this device.

Register Name	Bit							
	7	6	5	4	3	2	1	0
SCC	CKS2	CKS1	CKS0	—	FHS	—	FHIDEN	FSIDEN
HIRCC	—	—	—	—	HIRC1	HIRC0	HIRCF	HIRCEN
HXTC	—	—	—	—	—	HXTM	HXTF	HXTEN

System Operating Mode Control Registers List – HT66FV130

Register Name	Bit							
	7	6	5	4	3	2	1	0
SCC	CKS2	CKS1	CKS0	—	FHS	FSS	FHIDEN	FSIDEN
HIRCC	—	—	—	—	HIRC1	HIRC0	HIRCF	HIRCEN
HXTC	—	—	—	—	—	HXTM	HXTF	HXTEN
LXTC	—	—	—	—	—	LXTSP	LXTF	LXTEN

System Operating Mode Control Registers List – HT66FV140/HT66FV150/ HT66FV160

SCC Register – HT66FV130

Bit	7	6	5	4	3	2	1	0
Name	CKS2	CKS1	CKS0	—	FHS	—	FHIDEN	FSIDEN
R/W	R/W	R/W	R/W	—	R/W	—	R/W	R/W
POR	0	0	0	—	0	—	0	0

Bit 7~5 **CKS2~CKS0:** System clock selection

- 000: f_H
- 001: $f_H/2$
- 010: $f_H/4$
- 011: $f_H/8$
- 100: $f_H/16$
- 101: $f_H/32$
- 110: $f_H/64$
- 111: f_{SUB}

These three bits are used to select which clock is used as the system clock source. In addition to the system clock source directly derived from f_H or f_{SUB} , a divided version of the high speed system oscillator can also be chosen as the system clock source.

Bit 4 Unimplemented, read as 0.

Bit 3 **FHS:** High Frequency clock selection

- 0: HIRC
- 1: HXT

- Bit 2 Unimplemented, read as 0.
- Bit 1 **FHIDEN**: High Frequency oscillator control when CPU is switched off
 0: Disable
 1: Enable
 This bit is used to control whether the high speed oscillator is activated or stopped when the CPU is switched off by executing an "HALT" instruction.
- Bit 0 **FSIDEN**: Low Frequency oscillator control when CPU is switched off
 0: Disable
 1: Enable
 This bit is used to control whether the low speed oscillator is activated or stopped when the CPU is switched off by executing an "HALT" instruction. The LIRC oscillator is controlled by this bit together with the WDT function enable control when the LIRC is selected to be the low speed oscillator clock source or the WDT function is enabled respectively. If this bit is cleared to 0 but the WDT function is enabled, the LIRC oscillator will also be enabled.

SCC Register – HT66FV140/HT66FV150/HT66FV160

Bit	7	6	5	4	3	2	1	0
Name	CKS2	CKS1	CKS0	—	FHS	FSS	FHIDEN	FSIDEN
R/W	R/W	R/W	R/W	—	R/W	R/W	R/W	R/W
POR	0	0	0	—	0	0	0	0

- Bit 7~5 **CKS2~CKS0**: System clock selection
 000: f_H
 001: $f_H/2$
 010: $f_H/4$
 011: $f_H/8$
 100: $f_H/16$
 101: $f_H/32$
 110: $f_H/64$
 111: f_{SUB}
 These three bits are used to select which clock is used as the system clock source. In addition to the system clock source directly derived from f_H or f_{SUB} , a divided version of the high speed system oscillator can also be chosen as the system clock source.
- Bit 4 Unimplemented, read as 0.
- Bit 3 **FHS**: High Frequency clock selection
 0: HIRC
 1: HXT
- Bit 2 **FSS**: Low Frequency clock selection
 0: LIRC
 1: LXT
- Bit 1 **FHIDEN**: High Frequency oscillator control when CPU is switched off
 0: Disable
 1: Enable
 This bit is used to control whether the high speed oscillator is activated or stopped when the CPU is switched off by executing an "HALT" instruction.
- Bit 0 **FSIDEN**: Low Frequency oscillator control when CPU is switched off
 0: Disable
 1: Enable
 This bit is used to control whether the low speed oscillator is activated or stopped when the CPU is switched off by executing an "HALT" instruction. The LIRC oscillator is controlled by this bit together with the WDT function enable control when the LIRC is selected to be the low speed oscillator clock source or the WDT function is enabled respectively. If this bit is cleared to 0 but the WDT function is enabled, the LIRC oscillator will also be enabled.

HIRCC Register

Bit	7	6	5	4	3	2	1	0
Name	—	—	—	—	HIRC1	HIRC0	HIRCF	HIRCEN
R/W	—	—	—	—	R/W	R/W	R/W	R/W
POR	—	—	—	—	0	0	0	1

Bit 7~2 Unimplemented, read as 0.

Bit 3~2 **HIRC1~HIRC0**: HIRC frequency selection

- 00: 8 MHz
- 01: 12 MHz
- 10: 16 MHz
- 11: 8 MHz

When the HIRC oscillator is enabled or the HIRC frequency selection is changed by application program, the clock frequency will automatically be changed after the HIRCF flag is set to 1.

Bit 1 **HIRCF**: HIRC oscillator stable flag

- 0: HIRC unstable
- 1: HIRC stable

This bit is used to indicate whether the HIRC oscillator is stable or not. When the HIRCEN bit is set to 1 to enable the HIRC oscillator or the HIRC frequency selection is changed by application program, the HIRCF bit will first be cleared to 0 and then set to 1 after the HIRC oscillator is stable.

Bit 0 **HIRCEN**: HIRC oscillator enable control

- 0: Disable
- 1: Enable

HXTC Register

Bit	7	6	5	4	3	2	1	0
Name	—	—	—	—	—	HXTM	HXTF	HXTEN
R/W	—	—	—	—	—	R/W	R	R/W
POR	—	—	—	—	—	0	0	0

Bit 7~3 Unimplemented, read as 0.

Bit 2 **HXTM**: HXT mode selection

- 0: HXT frequency \leq 10 MHz
- 1: HXT frequency >10 MHz

This bit is used to select the HXT oscillator operating mode. Note that this bit must be properly configured before the HXT is enabled. When the HXTEN bit is set to 1 to enable the HXT oscillator, it is invalid to change the value of this bit.

Bit 1 **HXTF**: HXT oscillator stable flag

- 0: HXT unstable
- 1: HXT stable

This bit is used to indicate whether the HXT oscillator is stable or not. When the HXTEN bit is set to 1 to enable the HXT oscillator, the HXTF bit will first be cleared to 0 and then set to 1 after the HXT oscillator is stable.

Bit 0 **HXTEN**: HXT oscillator enable control

- 0: Disable
- 1: Enable

LXTC Register – HT66FV140/HT66FV150/HT66FV160

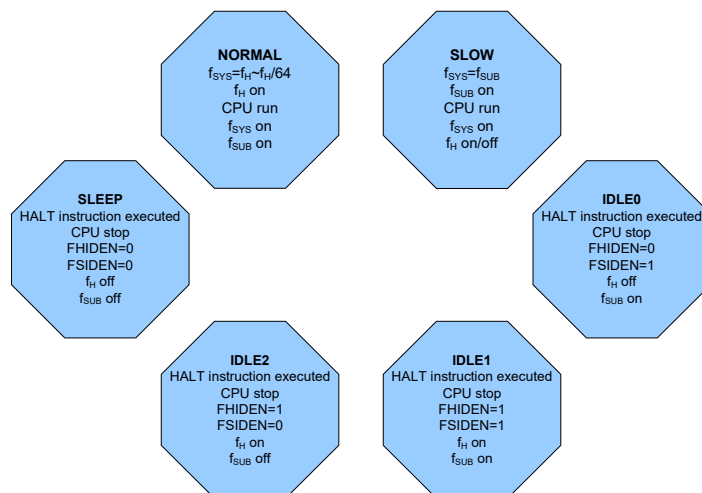
Bit	7	6	5	4	3	2	1	0
Name	—	—	—	—	—	LXTSP	LXTF	LXTEN
R/W	—	—	—	—	—	RW	R	R/W
POR	—	—	—	—	—	0	0	0

- Bit 7~3 Unimplemented, read as 0.
- Bit 2 **LXTSP**: LXT oscillator speed-up control
 0: Disable – Low power
 1: Enable – Speed up
 This bit is used to control whether the LXT oscillator is operating in the low power or quick start mode. When the LXTSP bit is set to 1, the LXT oscillator will oscillate quickly but consume more power. If the LXTSP bit is cleared to 0, the LXT oscillator will consume less power but take longer time to stabilise. It is important to note that this bit can not be changed after the LXT oscillator is selected as the system clock source using the CKS2~CKS0 and FSS bits in the SCC register.
- Bit 1 **LXTF**: LXT oscillator stable flag
 0: LXT unstable
 1: LXT stable
 This bit is used to indicate whether the LXT oscillator is stable or not. When the LXTEN bit is set to 1 to enable the LXT oscillator, the LXTF bit will first be cleared to 0 and then set to 1 after the LXT oscillator is stable.
- Bit 0 **LXTEN**: LXT oscillator enable control
 0: Disable
 1: Enable

Operating Mode Switching

The device can switch between operating modes dynamically allowing the user to select the best performance/power ratio for the present task in hand. In this way microcontroller operations that do not require high performance can be executed using slower clocks thus requiring less operating current and prolonging battery life in portable applications.

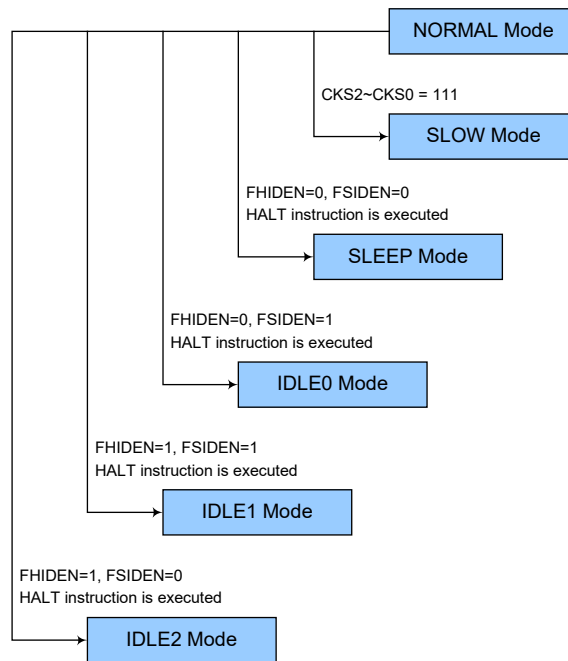
In simple terms, Mode Switching between the NORMAL Mode and SLOW Mode is executed using the CKS2~CKS0 bits in the SCC register while Mode Switching from the NORMAL/SLOW Modes to the SLEEP/IDLE Modes is executed via the HALT instruction. When a HALT instruction is executed, whether the device enters the IDLE Mode or the SLEEP Mode is determined by the condition of the FHIDEN and FSIDEN bits in the SCC register.



NORMAL Mode to SLOW Mode Switching

When running in the NORMAL Mode, which uses the high speed system oscillator, and therefore consumes more power, the system clock can switch to run in the SLOW Mode by set the CKS2~CKS0 bits to "111" in the SCC register. This will then use the low speed system oscillator which will consume less power. Users may decide to do this for certain operations which do not require high performance and can subsequently reduce power consumption.

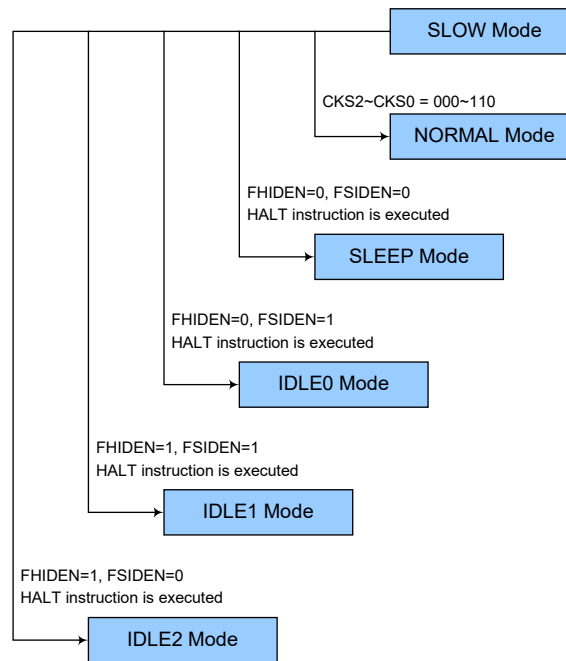
The SLOW Mode is sourced from the LXT or LIRC oscillator determined by the FSS bit in the SCC register and therefore requires this oscillator to be stable before full mode switching occurs.



SLOW Mode to NORMAL Mode Switching

In SLOW mode the system clock is derived from f_{SUB} . When system clock is switched back to the NORMAL mode from f_{SUB} , the CKS2~CKS0 bits should be set to "000" ~ "110" and then the system clock will respectively be switched to $f_H \sim f_H/64$.

However, if f_H is not used in SLOW mode and thus switched off, it will take some time to re-oscillate and stabilise when switching to the NORMAL mode from the SLOW Mode. This is monitored using the HXTF bit in the HXTC register or the HIRCF bit in the HIRCC register. The time duration required for the high speed system oscillator stabilization is specified in the A.C. characteristics.



Entering the SLEEP Mode

There is only one way for the device to enter the SLEEP Mode and that is to execute the "HALT" instruction in the application program with both the FHIDEN and FSIDEN bits in the SCC register equal to "0". In this mode all the clocks and functions will be switched off except the WDT function. When this instruction is executed under the conditions described above, the following will occur:

- The system clock will be stopped and the application program will stop at the "HALT" instruction.
- The Data Memory contents and registers will maintain their present condition.
- The I/O ports will maintain their present conditions.
- In the status register, the Power Down flag PDF will be set, and WDT timeout flag TO will be cleared.
- The WDT will be cleared and resume counting if the WDT function is enabled. If the WDT function is disabled, the WDT will be cleared and stopped.

Entering the IDLE0 Mode

There is only one way for the device to enter the IDLE0 Mode and that is to execute the "HALT" instruction in the application program with the FHIDEN bit in the SCC register equal to "0" and the FSIDEN bit in the SCC register equal to "1". When this instruction is executed under the conditions described above, the following will occur:

- The f_H clock will be stopped and the application program will stop at the "HALT" instruction, but the f_{SUB} clock will be on.
- The Data Memory contents and registers will maintain their present condition.
- The I/O ports will maintain their present conditions.
- In the status register, the Power Down flag PDF will be set, and WDT timeout flag TO will be cleared.
- The WDT will be cleared and resume counting if the WDT function is enabled.

Entering the IDLE1 Mode

There is only one way for the device to enter the IDLE1 Mode and that is to execute the "HALT" instruction in the application program with both the FHIDEN and FSIDEN bits in the SCC register equal to "1". When this instruction is executed under the conditions described above, the following will occur:

- The f_H and f_{SUB} clocks will be on but the application program will stop at the "HALT" instruction.
- The Data Memory contents and registers will maintain their present condition.
- The I/O ports will maintain their present conditions.
- In the status register, the Power Down flag PDF will be set, and WDT timeout flag TO will be cleared.
- The WDT will be cleared and resume counting if the WDT function is enabled.

Entering the IDLE2 Mode

There is only one way for the device to enter the IDLE2 Mode and that is to execute the "HALT" instruction in the application program with the FHIDEN bit in the SCC register equal to "1" and the FSIDEN bit in the SCC register equal to "0". When this instruction is executed under the conditions described above, the following will occur:

- The f_H clock will be on but the f_{SUB} clock will be off and the application program will stop at the "HALT" instruction.
- The Data Memory contents and registers will maintain their present condition.
- The I/O ports will maintain their present conditions.
- In the status register, the Power Down flag PDF will be set, and WDT timeout flag TO will be cleared.
- The WDT will be cleared and resume counting if the WDT function is enabled.

Standby Current Considerations

As the main reason for entering the SLEEP or IDLE Mode is to keep the current consumption of the device to as low a value as possible, perhaps only in the order of several micro-amps except in the IDLE1 and IDLE2 Mode, there are other considerations which must also be taken into account by the circuit designer if the power consumption is to be minimised. Special attention must be made to the I/O pins on the device. All high-impedance input pins must be connected to either a fixed high or low level as any floating input pins could create internal oscillations and result in increased current consumption. This also applies to devices which have different package types, as there may be unbonded pins. These must either be setup as outputs or if setup as inputs must have pull-high resistors connected.

Care must also be taken with the loads, which are connected to I/O pins, which are setup as outputs. These should be placed in a condition in which minimum current is drawn or connected only to external circuits that do not draw current, such as other CMOS inputs. Also note that additional standby current will also be required if the LIRC oscillator has enabled.

In the IDLE1 and IDLE 2 Mode the high speed oscillator is on, if the peripheral function clock source is derived from the high speed oscillator, the additional standby current will also be perhaps in the order of several hundred micro-amps.

Wake-up

To minimise power consumption the device can enter the SLEEP or any IDLE Mode, where the CPU will be switched off. However, when the device is woken up again, it will take a considerable time for the original system oscillator to restart, stabilise and allow normal operation to resume.

After the system enters the SLEEP or IDLE Mode, it can be woken up from one of various sources listed as follows:

- An external falling edge on Port A
- A system interrupt
- A WDT overflow

When the device executes the "HALT" instruction, the PDF flag will be set to 1. The PDF flag will be cleared to 0 if the device experiences a system power-up or executes the clear Watchdog Timer instruction. If the system is woken up by a WDT overflow, a Watchdog Timer reset will be initiated and the TO flag will be set to 1. The TO flag is set if a WDT time-out occurs and causes a wake-up that only resets the Program Counter and Stack Pointer, other flags remain in their original status.

Each pin on Port A can be setup using the PAWU register to permit a negative transition on the pin to wake up the system. When a Port A pin wake-up occurs, the program will resume execution at the instruction following the "HALT" instruction. If the system is woken up by an interrupt, then two possible situations may occur. The first is where the related interrupt is disabled or the interrupt is enabled but the stack is full, in which case the program will resume execution at the instruction following the "HALT" instruction. In this situation, the interrupt which woke up the device will not be immediately serviced, but will rather be serviced later when the related interrupt is finally enabled or when a stack level becomes free. The other situation is where the related interrupt is enabled and the stack is not full, in which case the regular interrupt response takes place. If an interrupt request flag is set high before entering the SLEEP or IDLE Mode, the wake-up function of the related interrupt will be disabled.

Watchdog Timer

The Watchdog Timer is provided to prevent program malfunctions or sequences from jumping to unknown locations, due to certain uncontrollable external events such as electrical noise.

Watchdog Timer Clock Source

The Watchdog Timer clock source is provided by the internal RC oscillator, f_{LIRC} . The LIRC internal oscillator has an approximate frequency of 32 kHz and this specified internal clock period can vary with V_{DD} , temperature and process variations. The Watchdog Timer source clock is then subdivided by a ratio of 2^8 to 2^{18} to give longer timeouts, the actual value being chosen using the WS2~WS0 bits in the WDTC register.

Watchdog Timer Control Register

A single register, WDTC, controls the required timeout period as well as the enable/disable operation. This register controls the overall operation of the Watchdog Timer.

WDTC Register

Register Name	Bit							
	7	6	5	4	3	2	1	0
Name	WE4	WE3	WE2	WE1	WE0	WS2	WS1	WS0
R/W	R/W	R/W	R/W	R/W	R/W	R/W	R/W	R/W
POR	0	1	0	1	0	0	1	1

Bit 7~3 **WE4~WE0**: WDT function enable control

10101: Disabled

01010: Enabled

Other values: Reset MCU

If these bits are changed due to adverse environmental conditions, the microcontroller will be reset. The reset operation will be activated after 2~3 LIRC clock cycles and the WRF bit in the RSTFC register will be set to 1.

Bit 2~0 **WS2~WS0**: WDT time-out period selection

000: $2^8/f_{LIRC}$

001: $2^{10}/f_{LIRC}$

010: $2^{12}/f_{LIRC}$

011: $2^{14}/f_{LIRC}$

100: $2^{15}/f_{LIRC}$

101: $2^{16}/f_{LIRC}$

110: $2^{17}/f_{LIRC}$

111: $2^{18}/f_{LIRC}$

These three bits determine the division ratio of the watchdog timer source clock, which in turn determines the time-out period.

RSTFC Register

Register Name	Bit							
	7	6	5	4	3	2	1	0
Name	—	—	—	—	RSTF	LVRF	LRF	WRF
R/W	—	—	—	—	R/W	R/W	R/W	R/W
POR	—	—	—	—	0	x	0	0

"x": unknown

Bit 7~4 Unimplemented, read as "0"

Bit 3 **RSTF**: Reset control register software reset flag
Described elsewhere.

Bit 2 **LVRF**: LVR function reset flag
Described elsewhere.

Bit 1 **LRF**: LVR control register software reset flag
Described elsewhere.

Bit 0 **WRF**: WDT control register software reset flag
0: Not occurred
1: Occurred

This bit is set to 1 by the WDT control register software reset and cleared by the application program. Note that this bit can only be cleared to 0 by the application program.

Watchdog Timer Operation

The Watchdog Timer operates by providing a device reset when its timer overflows. This means that in the application program and during normal operation the user has to strategically clear the Watchdog Timer before it overflows to prevent the Watchdog Timer from executing a reset. This is done using the clear watchdog instruction. If the program malfunctions for whatever reason, jumps to an unknown location, or enters an endless loop, the clear instruction will not be executed in the correct manner, in which case the Watchdog Timer will overflow and reset the device. With regard to the Watchdog Timer enable/disable function, there are five bits, WE4~WE0, in the WDTC register to offer the enable/disable control and reset control of the Watchdog Timer. The WDT function will be disabled when the WE4~WE0 bits are set to a value of 10101B while the WDT function will be enabled if the WE4~WE0 bits are equal to 01010B. If the WE4~WE0 bits are set to any other values, other than 01010B and 10101B, it will reset the device after 2~3 f_{LIRC} clock cycles. After power on these bits will have a value of 01010B.

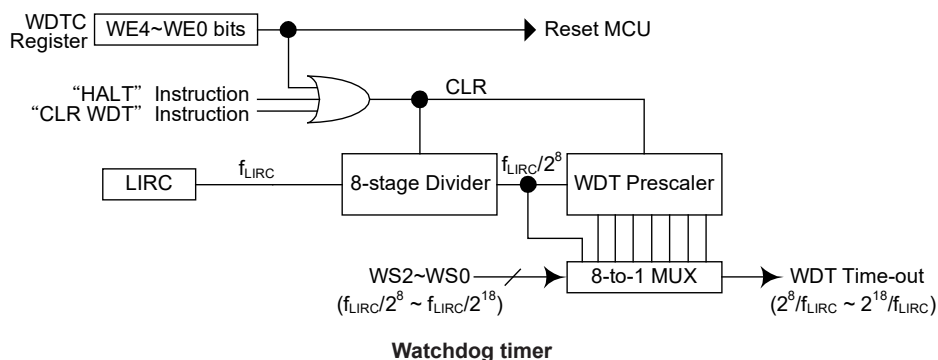
WE4~WE0 Bits	WDT Function
10101B	Disable
01010B	Enable
Any other value	Reset MCU

Watchdog Timer Enable/Disable Control

Under normal program operation, a Watchdog Timer time-out will initialise a device reset and set the status bit TO. However, if the system is in the SLEEP or IDLE Mode, when a Watchdog Timer time-out occurs, the TO bit in the status register will be set and only the Program Counter and Stack Pointer will be reset. Three methods can be adopted to clear the contents of the Watchdog Timer. The first is a WDT reset, which means a certain value except 01010B and 10101B written into the WE4~WE0 field, the second is using the Watchdog Timer software clear instruction and the third is via a HALT instruction.

There is only one method of using software instruction to clear the Watchdog Timer. That is to use the single "CLR WDT" instruction to clear the WDT contents.

The maximum time out period is when the 2^{18} division ratio is selected. As an example, with a 32 kHz LIRC oscillator as its source clock, this will give a maximum watchdog period of around 8 second for the 2^{18} division ratio and a minimum timeout of 7.8ms for the 2^8 division ratio.



Reset and Initialisation

A reset function is a fundamental part of any microcontroller ensuring that the device can be set to some predetermined condition irrespective of outside parameters. The most important reset condition is after power is first applied to the microcontroller. In this case, internal circuitry will ensure that the microcontroller, after a short delay, will be in a well defined state and ready to execute the first program instruction. After this power-on reset, certain important internal registers will be set to defined states before the program commences. One of these registers is the Program Counter, which will be reset to zero forcing the microcontroller to begin program execution from the lowest Program Memory address.

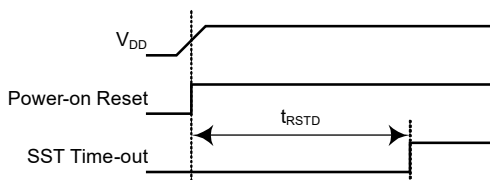
In addition to the power-on reset, another reset exists in the form of a Low Voltage Reset, LVR, where a full reset is implemented in situations where the power supply voltage falls below a certain threshold. Another type of reset is when the Watchdog Timer overflows and resets the microcontroller. All types of reset operations result in different register conditions being setup.

Reset Functions

There are five ways in which a microcontroller reset can occur, through events occurring both internally and externally.

Power-on Reset

The most fundamental and unavoidable reset is the one that occurs after power is first applied to the microcontroller. As well as ensuring that the Program Memory begins execution from the first memory address, a power-on reset also ensures that certain other registers are preset to known conditions. All the I/O port and port control registers will power up in a high condition ensuring that all pins will be first set to inputs.



Note: t_{RSTD} is power-on delay with typical time=50 ms

Power-On Reset Timing Chart

Internal Reset Control

There is an internal reset control register, RSTC, which is used to provide a reset when the device operates abnormally due to the environmental noise interference. If the content of the RSTC register is set to any value other than 01010101B or 10101010B, it will reset the device after 2~3 f_{LIRC} clock cycles. After power on the register will have a value of 01010101B.

RSTC7~RSTC0 Bits	Reset Function
01010101B	No operation
10101010B	No operation
Any other value	Reset MCU

Internal Reset Function Control

• **RSTC Register**

Register Name	Bit							
	7	6	5	4	3	2	1	0
Name	RSTC7	RSTC6	RSTC5	RSTC4	RSTC3	RSTC2	RSTC1	RSTC0
R/W	R/W	R/W	R/W	R/W	R/W	R/W	R/W	R/W
POR	0	1	0	1	0	1	0	1

Bit 7~0 **RSTC7~RSTC0**: Reset function control

01010101: No operation

10101010: No operation

Other values: Reset MCU

If these bits are changed due to adverse environmental conditions, the microcontroller will be reset. The reset operation will be activated after 2~3 LIRC clock cycles and the RSTF bit in the RSTFC register will be set to 1.

• **RSTFC Register**

Register Name	Bit							
	7	6	5	4	3	2	1	0
Name	—	—	—	—	RSTF	LVRF	LRF	WRF
R/W	—	—	—	—	R/W	R/W	R/W	R/W
POR	—	—	—	—	0	x	0	0

"x": unknown

Bit 7~4 Unimplemented, read as "0"

Bit 3 **RSTF**: Reset control register software reset flag

0: Not occurred

1: Occurred

This bit is set to 1 by the RSTC control register software reset and cleared by the application program. Note that this bit can only be cleared to 0 by the application program.

Bit 2 **LVRF**: LVR function reset flag

Described elsewhere.

Bit 1 **LRF**: LVR control register software reset flag

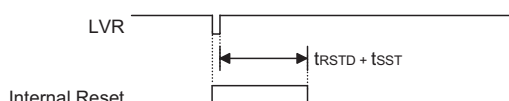
Described elsewhere.

Bit 0 **WRF**: WDT control register software reset flag

Described elsewhere.

Low Voltage Reset – LVR

The microcontroller contains a low voltage reset circuit in order to monitor the supply voltage of the device. The LVR function is always enabled with a specific LVR voltage, V_{LVR} . If the supply voltage of the device drops to within a range of $0.9V \sim V_{LVR}$ such as might occur when changing the battery, the LVR will automatically reset the device internally and the LVRF bit in the RSTFC register will also be set to 1. For a valid LVR signal, a low supply voltage, i.e., a voltage in the range between $0.9V \sim V_{LVR}$ must exist for a time greater than that specified by t_{LVR} in the LVD/LVR characteristics. If the low supply voltage state does not exceed this value, the LVR will ignore the low supply voltage and will not perform a reset function. The actual V_{LVR} value can be selected by the LVS bits in the LVRC register. If the LVS7~LVS0 bits have any other value, which may perhaps occur due to adverse environmental conditions such as noise, the LVR will reset the device after $2 \sim 3 f_{LIRC}$ clock cycles. When this happens, the LRF bit in the RSTFC register will be set to 1. After power on the register will have the value of 01010101B. Note that the LVR function will be automatically disabled when the device enters the power down mode.



Note: t_{rSTD} is power-on delay with typical time=50 ms

Low Voltage Reset Timing Chart

• LVRC Register

Register Name	Bit							
	7	6	5	4	3	2	1	0
Name	LVS7	LVS6	LVS5	LVS4	LVS3	LVS2	LVS1	LVS0
R/W	R/W	R/W	R/W	R/W	R/W	R/W	R/W	R/W
POR	0	1	0	1	0	1	0	1

Bit 7~0 **LVS7~LVS0**: LVR voltage select

01010101: 2.1V

00110011: 2.55V

10011001: 3.15V

10101010: 3.8V

Other values: Generates a MCU reset – register is reset to POR value

When an actual low voltage condition occurs, as specified by one of the four defined LVR voltage value above, an MCU reset will generated. The reset operation will be activated after $2 \sim 3 f_{LIRC}$ clock cycles. In this situation the register contents will remain the same after such a reset occurs.

Any register value, other than the four defined register values above, will also result in the generation of an MCU reset. The reset operation will be activated after $2 \sim 3 f_{LIRC}$ clock cycles. However in this situation the register contents will be reset to the POR value.

• **RSTFC Register**

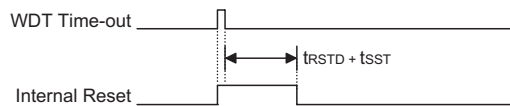
Register Name	Bit							
	7	6	5	4	3	2	1	0
Name	—	—	—	—	RSTF	LVRF	LRF	WRF
R/W	—	—	—	—	R/W	R/W	R/W	R/W
POR	—	—	—	—	0	x	0	0

"x": unknown

- Bit 7~4 Unimplemented, read as "0"
- Bit 3 **RSTF**: Reset control register software reset flag
Described elsewhere.
- Bit 2 **LVRF**: LVR function reset flag
0: Not occurred
1: Occurred
This bit is set to 1 when a specific low voltage reset condition occurs. Note that this bit can only be cleared to 0 by the application program.
- Bit 1 **LRF**: LVR control register software reset flag
0: Not occurred
1: Occurred
This bit is set to 1 by the LVRC control register contains any undefined LVR voltage register values. This in effect acts like a software-reset function. Note that this bit can only be cleared to 0 by the application program.
- Bit 0 **WRF**: WDT control register software reset flag
Described elsewhere.

Watchdog Time-out Reset during Normal Operation

The Watchdog time-out Reset during normal operation is the same as the hardware Low Voltage Reset except that the Watchdog time-out flag TO will be set to "1".

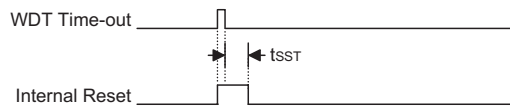


Note: t_{rSTD} is power-on delay with typical time=16.7 ms

WDT Time-out Reset during NORMAL Operation Timing Chart

Watchdog Time-out Reset during SLEEP or IDLE Mode

The Watchdog time-out Reset during SLEEP or IDLE Mode is a little different from other kinds of reset. Most of the conditions remain unchanged except that the Program Counter and the Stack Pointer will be cleared to "0" and the TO flag will be set to "1". Refer to the A.C. Characteristics for t_{sST} details.



WDT Time-out Reset during SLEEP or IDLE Mode Timing Chart

Reset Initial Conditions

The different types of reset described affect the reset flags in different ways. These flags, known as PDF and TO are located in the status register and are controlled by various microcontroller operations, such as the SLEEP or IDLE Mode function or Watchdog Timer. The reset flags are shown in the table:

TO	PDF	Reset Function
0	0	Power-on reset
u	u	LVR reset during NORMAL or SLOW Mode operation
1	u	WDT time-out reset during NORMAL or SLOW Mode operation
1	1	WDT time-out reset during IDLE or SLEEP Mode operation

"u" stands for unchanged

The following table indicates the way in which the various components of the microcontroller are affected after a power-on reset occurs.

Item	Reset Function
Program Counter	Reset to zero
Interrupts	All interrupts will be disabled
WDT, Time Base	Clear after reset, WDT begins counting
Timer Modules	Timer Modules will be turned off
Input/Output Ports	I/O ports will be setup as inputs
Stack pointer	Stack pointer will point to the top of the stack

The different kinds of resets all affect the internal registers of the microcontroller in different ways. To ensure reliable continuation of normal program execution after a reset occurs, it is important to know what condition the microcontroller is in after a particular reset occurs. The following table describes how each type of reset affects the microcontroller internal registers.

Register	HT66FV130	HT66FV140	HT66FV150	HT66FV160	Reset (Power On)	LVR Reset (Normal Operation)	WDT Time-out (Normal Operation)	WDT Time-out (IDLE or SLEEP)*
IAR0	•	•	•	•	xxxx xxxx	uuuu uuuu	uuuu uuuu	uuuu uuuu
MP0	•	•	•	•	0000 0000	0000 0000	0000 0000	uuuu uuuu
IAR1	•	•	•	•	xxxx xxxx	uuuu uuuu	uuuu uuuu	uuuu uuuu
MP1L	•	•	•	•	0000 0000	0000 0000	0000 0000	uuuu uuuu
MP1H	•	•	•	•	0000 0000	0000 0000	0000 0000	uuuu uuuu
ACC	•	•	•	•	xxxx xxxx	uuuu uuuu	uuuu uuuu	uuuu uuuu
PCL	•	•	•	•	0000 0000	0000 0000	0000 0000	0000 0000
TBLP	•	•	•	•	xxxx xxxx	uuuu uuuu	uuuu uuuu	uuuu uuuu
TBLH	•	•	•	•	xxxx xxxx	uuuu uuuu	uuuu uuuu	uuuu uuuu
TBHP	•				---- -xxx	---- -uuu	---- -uuu	---- -uuu
TBHP		•			---- xxxx	---- uuuu	---- uuuu	---- uuuu
TBHP			•		---x xxxx	---u uuuu	---u uuuu	---u uuuu
TBHP				•	--xx xxxx	--uu uuuu	--uu uuuu	--uu uuuu
PBP				•	0000 0000	0000 0000	0000 0000	uuuu uuuu
STATUS	•	•	•	•	xx00 xxxx	uuuu uuuu	xx1u uuuu	uu11 uuuu
IAR2	•	•	•	•	xxxx xxxx	uuuu uuuu	uuuu uuuu	uuuu uuuu
MP2L	•	•	•	•	0000 0000	0000 0000	0000 0000	uuuu uuuu

Register	HT66FV130	HT66FV140	HT66FV150	HT66FV160	Reset (Power On)	LVR Reset (Normal Operation)	WDT Time-out (Normal Operation)	WDT Time-out (IDLE or SLEEP)*
MP2H	•	•	•	•	0000 0000	0000 0000	0000 0000	uuuu uuuu
INTC0	•	•	•	•	-000 0000	-000 0000	-000 0000	-uuu uuuu
PA	•				11-- -111	11-- -111	11-- -111	uu-- -uuu
PA		•	•	•	1111 1111	1111 1111	1111 1111	uuuu uuuu
PAC	•				11-- -111	11-- -111	11-- -111	uu-- -uuu
PAC		•	•	•	1111 1111	1111 1111	1111 1111	uuuu uuuu
PAPU	•				00-- -000	00-- -000	00-- -000	uu-- -uuu
PAPU		•	•	•	0000 0000	0000 0000	0000 0000	uuuu uuuu
PAWU	•				00-- -000	00-- -000	00-- -000	uu-- -uuu
PAWU		•	•	•	0000 0000	0000 0000	0000 0000	uuuu uuuu
RSTFC	•	•	•	•	---- 0x00	---- uuuu	---- uuuu	---- uuuu
PE			•		---- 1111	---- 1111	---- 1111	---- uuuu
PE				•	1111 1111	1111 1111	1111 1111	uuuu uuuu
PEC			•		---- 1111	---- 1111	---- 1111	---- uuuu
PEC				•	1111 1111	1111 1111	1111 1111	uuuu uuuu
PEPU			•		---- 0000	---- 0000	---- 0000	---- uuuu
PEPU				•	0000 0000	0000 0000	0000 0000	uuuu uuuu
PB	•	•	•	•	---- -111	---- -111	---- -111	---- -uuu
PBC	•	•	•	•	---- -111	---- -111	---- -111	---- -uuu
PBPU	•	•	•	•	---- -000	---- -000	---- -000	---- -uuu
PSCR	•	•	•	•	---- --00	---- --00	---- --00	---- --uu
TB0C	•	•	•	•	0--- -000	0--- -000	0--- -000	u--- -uuu
TB1C	•	•	•	•	0--- -000	0--- -000	0--- -000	u--- -uuu
SCC	•				000- 0-00	000- 0-00	000- 0-00	uuu- u-uu
SCC		•	•	•	000- 0000	000- 0000	000- 0000	uuu- uuuu
HIRCC	•	•	•	•	---- 0001	---- 0001	---- 0001	---- uuuu
HXTC	•	•	•	•	---- -000	---- -001	---- -001	---- -uuu
LXTC		•	•	•	---- -000	---- -000	---- -000	---- -uuu
RSTC	•	•	•	•	0101 0101	0101 0101	0101 0101	uuuu uuuu
CTM0C0	•	•	•	•	0000 0000	0000 0000	0000 0000	uuuu uuuu
CTM0C1	•	•	•	•	0000 0000	0000 0000	0000 0000	uuuu uuuu
CTM0DL	•	•	•	•	0000 0000	0000 0000	0000 0000	uuuu uuuu
CTM0DH	•	•	•	•	---- --00	---- --00	---- --00	---- --uu
CTM0AL	•	•	•	•	0000 0000	0000 0000	0000 0000	uuuu uuuu
CTM0AH	•	•	•	•	---- --00	---- --00	---- --00	---- --uu
LVDC	•	•	•	•	--00 -000	--00 -000	--00 -000	--uu -uuu
LVRC	•	•	•	•	0101 0101	0101 0101	0101 0101	uuuu uuuu
PTM0C0	•	•	•	•	0000 0---	0000 0---	0000 0---	uuuu u---
PTM0C1	•	•	•	•	0000 0000	0000 0000	0000 0000	uuuu uuuu
PTM0DL	•	•	•	•	0000 0000	0000 0000	0000 0000	uuuu uuuu
PTM0DH	•	•	•	•	---- --00	---- --00	---- --00	---- --uu
PTM0AL	•	•	•	•	0000 0000	0000 0000	0000 0000	uuuu uuuu
PTM0AH	•	•	•	•	---- --00	---- --00	---- --00	---- --uu
PTM0RPL	•	•	•	•	0000 0000	0000 0000	0000 0000	uuuu uuuu
PTM0RPH	•	•	•	•	---- --00	---- --00	---- --00	---- --uu

Register	HT66FV130	HT66FV140	HT66FV150	HT66FV160	Reset (Power On)	LVR Reset (Normal Operation)	WDT Time-out (Normal Operation)	WDT Time-out (IDLE or SLEEP)*
INTEG	•	•	•	•	---- 0000	---- 0000	---- 0000	---- uuuu
INTC1	•				000- 000-	000- 000-	000- 000-	uuu- uuu-
INTC1		•	•	•	0000 0000	0000 0000	0000 0000	uuuu uuuu
INTC2	•	•			--00 --00	--00 --00	--00 --00	--uu --uu
INTC2			•	•	-000 -000	-000 -000	-000 -000	-uuu -uuu
MF10	•	•			--00 --00	--00 --00	--00 --00	--uu --uu
MF10			•	•	0000 0000	0000 0000	0000 0000	uuuu uuuu
MF11	•	•	•		--00 --00	--00 --00	--00 --00	--uu --uu
MF11				•	0000 0000	0000 0000	0000 0000	uuuu uuuu
MF12		•	•	•	--00 --00	--00 --00	--00 --00	--uu --uu
MF13	•				00-0 00-0	00-0 00-0	00-0 00-0	uu-u uu-u
MF13		•	•	•	0000 0000	0000 0000	0000 0000	uuuu uuuu
SCOMC			•	•	-000 ----	-000 ----	-000 ----	-uuu ----
SADC2	•	•	•	•	00-- 0000	00-- 0000	00-- 0000	uu-- uuuu
EEA	•				---0 0000	---0 0000	---0 0000	---u uuuu
EEA		•			--00 0000	--00 0000	--00 0000	--uu uuuu
EEA			•		-000 0000	-000 0000	-000 0000	-uuu uuuu
EEA				•	0000 0000	0000 0000	0000 0000	uuuu uuuu
EED	•	•	•	•	0000 0000	0000 0000	0000 0000	uuuu uuuu
PTM1C0		•	•	•	0000 0---	0000 0---	0000 0---	uuuu u---
PTM1C1		•	•	•	0000 0000	0000 0000	0000 0000	uuuu uuuu
PTM1DL		•	•	•	0000 0000	0000 0000	0000 0000	uuuu uuuu
PTM1DH		•	•	•	---- --00	---- --00	---- --00	---- --uu
PTM1AL		•	•	•	0000 0000	0000 0000	0000 0000	uuuu uuuu
PTM1AH		•	•	•	---- --00	---- --00	---- --00	---- --uu
PTM1RPL		•	•	•	0000 0000	0000 0000	0000 0000	uuuu uuuu
PTM1RPH		•	•	•	---- --00	---- --00	---- --00	---- --uu
WDC	•	•	•	•	0101 0011	0101 0011	0101 0011	uuuu uuuu
PCPU	•				0000 -000	0000 -000	0000 -000	uuuu -uuu
PCPU		•	•	•	0000 0000	0000 0000	0000 0000	uuuu uuuu
PC	•				1111 -111	1111 -111	1111 -111	uuuu -uuu
PC		•	•	•	1111 1111	1111 1111	1111 1111	uuuu uuuu
PCC	•				1111 -111	1111 -111	1111 -111	uuuu -uuu
PCC		•	•	•	1111 1111	1111 1111	1111 1111	uuuu uuuu
PDP			•		---- 0000	---- 0000	---- 0000	---- uuuu
PDP				•	0000 0000	0000 0000	0000 0000	uuuu uuuu
PD			•		---- 1111	---- 1111	---- 1111	---- uuuu
PD				•	1111 1111	1111 1111	1111 1111	uuuu uuuu
PDC			•		---- 1111	---- 1111	---- 1111	---- uuuu
PDC				•	1111 1111	1111 1111	1111 1111	uuuu uuuu
SADOL (ADRFS=0)	•	•	•	•	xxxx ----	xxxx ----	xxxx ----	uuuu ----
SADOL (ADRFS=1)	•	•	•	•	xxxx xxxx	uuuu uuuu	uuuu uuuu	uuuu uuuu
SADOH (ADRFS=0)	•	•	•	•	xxxx xxxx	uuuu uuuu	uuuu uuuu	uuuu uuuu

Register	HT66FV130	HT66FV140	HT66FV150	HT66FV160	Reset (Power On)	LVR Reset (Normal Operation)	WDT Time-out (Normal Operation)	WDT Time-out (IDLE or SLEEP)*
SAD0H (ADRFS=1)	•	•	•	•	---- xxxx	---- uuuu	---- uuuu	---- uuuu
SADC0	•	•	•	•	0000 -000	0000 -000	0000 -000	uuuu -uuu
SADC1	•	•	•	•	000- -000	000- -000	000- -000	uuu- -uuu
PAS0	•				--00 0000	--00 0000	--00 0000	--uu uuuu
PAS0		•	•	•	0000 0000	0000 0000	0000 0000	uuuu uuuu
PAS1	•				0000 ----	0000 ----	0000 ----	uuuu ----
PAS1		•	•	•	0000 0000	0000 0000	0000 0000	uuuu uuuu
PBS0	•	•	•	•	--00 0000	--00 0000	--00 0000	--uu uuuu
PCS0	•				--00 0000	--00 0000	--00 0000	--uu uuuu
PCS0		•	•	•	0000 0000	0000 0000	0000 0000	uuuu uuuu
PCS1	•	•	•	•	0000 0000	0000 0000	0000 0000	uuuu uuuu
PDS0			•	•	0000 0000	0000 0000	0000 0000	uuuu uuuu
PDS1				•	0000 0000	0000 0000	0000 0000	uuuu uuuu
IFS	•				---- 00--	---- 00--	---- 00--	---- uu--
IFS		•			--00 00--	--00 00--	--00 00--	--uu uu--
IFS			•		000 00--	0000 00--	0000 00--	uuuu uu--
IFS				•	0000 0000	0000 0000	0000 0000	uuuu uuuu
SIMTOC		•	•	•	0000 0000	0000 0000	0000 0000	uuuu uuuu
SIMC0		•	•	•	111- --00	111- --00	111- --00	uuu- --uu
SIMC1		•	•	•	1000 0001	1000 0001	1000 0001	uuuu uuuu
SIMD		•	•	•	xxxx xxxx	xxxx xxxx	xxxx xxxx	uuuu uuuu
SIMA/ SIMC2		•	•	•	0000 0000	0000 0000	0000 0000	uuuu uuuu
SPIAC0	•	•	•	•	111- --00	111- --00	111- --00	uuu- --uu
SPIAC1	•	•	•	•	--00 0000	--00 0000	--00 0000	--uu uuuu
SPIAD	•	•	•	•	xxxx xxxx	xxxx xxxx	xxxx xxxx	uuuu uuuu
USR			•	•	0--- 0000	0--- 0000	0--- 0000	u--- uuuu
UCR1			•	•	-011 1111	-011 1111	-011 1111	-uuu uuuu
UCR2			•	•	1000 0000	1000 0000	1000 0000	1uuu uuuu
TXR_RXR			•	•	1000 0000	1000 0000	1000 0000	uuuu uuuu
BRG			•	•	0000 0000	0000 0000	0000 0000	uuuu uuuu
SLEDC0	•	•			--00 0000	--00 0000	--00 0000	--uu uuuu
SLEDC0			•	•	0000 0000	0000 0000	0000 0000	uuuu uuuu
SLEDC1			•	•	---- --00	---- --00	---- --00	---- --uu
USVC	•	•	•	•	0000 0000	0000 0000	0000 0000	uuuu u000
PLAC	•	•	•	•	---- --00	---- --00	---- --00	---- --uu
PLADL	•	•	•	•	0000 0000	0000 0000	0000 0000	uuuu uuuu
PLADH	•	•	•	•	0000 0000	0000 0000	0000 0000	uuuu uuuu
PES0			•	•	0000 0000	0000 0000	0000 0000	uuuu uuuu
PES1				•	0000 0000	0000 0000	0000 0000	uuuu uuuu
CTM1C0			•	•	0000 0000	0000 0000	0000 0000	uuuu uuuu
CTM1C1			•	•	0000 0000	0000 0000	0000 0000	uuuu uuuu
CTM1DL			•	•	0000 0000	0000 0000	0000 0000	uuuu uuuu
CTM1DH			•	•	---- --00	---- --00	---- --00	---- --uu
CTM1AL			•	•	0000 0000	0000 0000	0000 0000	uuuu uuuu

Register	HT66FV130	HT66FV140	HT66FV150	HT66FV160	Reset (Power On)	LVR Reset (Normal Operation)	WDT Time-out (Normal Operation)	WDT Time-out (IDLE or SLEEP)*
CTM1AH			•	•	---- --00	---- --00	---- --00	---- --uu
STM0C0				•	0000 0---	0000 0---	0000 0---	uuuu u---
STM0C1				•	0000 0000	0000 0000	0000 0000	uuuu uuuu
STM0DL				•	0000 0000	0000 0000	0000 0000	uuuu uuuu
STM0DH				•	0000 0000	0000 0000	0000 0000	uuuu uuuu
STM0AL				•	0000 0000	0000 0000	0000 0000	uuuu uuuu
STM0AH				•	0000 0000	0000 0000	0000 0000	uuuu uuuu
STM0RP				•	0000 0000	0000 0000	0000 0000	uuuu uuuu
EEC	•	•	•	•	---- 0000	---- 0000	---- 0000	---- uuuu
FC0	•	•	•	•	0000 0000	0000 0000	0000 0000	uuuu uuuu
FC1	•	•	•	•	0000 0000	0000 0000	0000 0000	uuuu uuuu
FC2			•	•	---- ---0	---- ---0	---- ---0	---- ---u
FARL	•	•	•	•	0000 0000	0000 0000	0000 0000	uuuu uuuu
FARH	•				---- -000	---- -000	---- -000	---- -uuu
FARH		•			---- 0000	---- 0000	---- 0000	---- uuuu
FARH			•		---0 0000	---0 0000	---0 0000	---u uuuu
FARH				•	--00 0000	--00 0000	--00 0000	--uu uuuu
FD0L	•	•	•	•	0000 0000	0000 0000	0000 0000	uuuu uuuu
FD0H	•	•	•	•	0000 0000	0000 0000	0000 0000	uuuu uuuu
FD1L	•	•	•	•	0000 0000	0000 0000	0000 0000	uuuu uuuu
FD1H	•	•	•	•	0000 0000	0000 0000	0000 0000	uuuu uuuu
FD2L	•	•	•	•	0000 0000	0000 0000	0000 0000	uuuu uuuu
FD2H	•	•	•	•	0000 0000	0000 0000	0000 0000	uuuu uuuu
FD3L	•	•	•	•	0000 0000	0000 0000	0000 0000	uuuu uuuu
FD3H	•	•	•	•	0000 0000	0000 0000	0000 0000	uuuu uuuu

Note: "u" stands for unchanged
 "x" stands for "unknown"
 "-" stands for unimplemented

Input/Output Ports

Holtek microcontrollers offer considerable flexibility on their I/O ports. With the input or output designation of every pin fully under user program control, pull-high selections for all ports and wake-up selections on certain pins, the user is provided with an I/O structure to meet the needs of a wide range of application possibilities.

These devices provide bidirectional input/output lines labeled with port names PA~PE. These I/O ports are mapped to the RAM Data Memory with specific addresses as shown in the Special Purpose Data Memory table. All of these I/O ports can be used for input and output operations. For input operation, these ports are non-latching, which means the inputs must be ready at the T2 rising edge of instruction "MOV A, [m]", where m denotes the port address. For output operation, all the data is latched and remains unchanged until the output latch is rewritten.

Register Name	Bit							
	7	6	5	4	3	2	1	0
PAWU	PAWU7	PAWU6	—	—	—	PAWU2	PAWU1	PAWU0
PA	PA7	PA6	—	—	—	PA2	PA1	PA0
PAC	PAC7	PAC6	—	—	—	PAC2	PAC1	PAC0
PAPU	PAPU7	PAPU6	—	—	—	PAPU2	PAPU1	PAPU0
PB	—	—	—	—	—	PB2	PB1	PB0
PBC	—	—	—	—	—	PBC2	PBC1	PBC0
PBPU	—	—	—	—	—	PBPU2	PBPU1	PBPU0
PC	PC7	PC6	PC5	PC4	—	PC2	PC1	PC0
PCC	PCC7	PCC6	PCC5	PCC4	—	PCC2	PCC1	PCC0
PCPU	PCPU7	PCPU6	PCPU5	PCPU4	—	PCPU2	PCPU1	PCPU0

I/O Registers List – HT66FV130

Register Name	Bit							
	7	6	5	4	3	2	1	0
PAWU	PAWU7	PAWU6	PAWU5	PAWU4	PAWU3	PAWU2	PAWU1	PAWU0
PA	PA7	PA6	PA5	PA4	PA3	PA2	PA1	PA0
PAC	PAC7	PAC6	PAC5	PAC4	PAC3	PAC2	PAC1	PAC0
PAPU	PAPU7	PAPU6	PAPU5	PAPU4	PAPU3	PAPU2	PAPU1	PAPU0
PB	—	—	—	—	—	PB2	PB1	PB0
PBC	—	—	—	—	—	PBC2	PBC1	PBC0
PBPU	—	—	—	—	—	PBPU2	PBPU1	PBPU0
PC	PC7	PC6	PC5	PC4	PC3	PC2	PC1	PC0
PCC	PCC7	PCC6	PCC5	PCC4	PCC3	PCC2	PCC1	PCC0
PCPU	PCPU7	PCPU6	PCPU5	PCPU4	PCPU3	PCPU2	PCPU1	PCPU0

I/O Registers List – HT66FV140

Register Name	Bit							
	7	6	5	4	3	2	1	0
PAWU	PAWU7	PAWU6	PAWU5	PAWU4	PAWU3	PAWU2	PAWU1	PAWU0
PA	PA7	PA6	PA5	PA4	PA3	PA2	PA1	PA0
PAC	PAC7	PAC6	PAC5	PAC4	PAC3	PAC2	PAC1	PAC0
PAPU	PAPU7	PAPU6	PAPU5	PAPU4	PAPU3	PAPU2	PAPU1	PAPU0
PB	—	—	—	—	—	PB2	PB1	PB0
PBC	—	—	—	—	—	PBC2	PBC1	PBC0
PBPU	—	—	—	—	—	PBPU2	PBPU1	PBPU0
PC	PC7	PC6	PC5	PC4	PC3	PC2	PC1	PC0
PCC	PCC7	PCC6	PCC5	PCC4	PCC3	PCC2	PCC1	PCC0
PCPU	PCPU7	PCPU6	PCPU5	PCPU4	PCPU3	PCPU2	PCPU1	PCPU0
PD	—	—	—	—	PD3	PD2	PD1	PD0
PDC	—	—	—	—	PDC3	PDC2	PDC1	PDC0
PDPU	—	—	—	—	PDPU3	PDPU2	PDPU1	PDPU0
PE	—	—	—	—	PE3	PE2	PE1	PE0
PEC	—	—	—	—	PEC3	PEC2	PEC1	PEC0
PEPU	—	—	—	—	PEPU3	PEPU2	PEPU1	PEPU0

I/O Registers List – HT66FV150

Register Name	Bit							
	7	6	5	4	3	2	1	0
PAWU	PAWU7	PAWU6	PAWU5	PAWU4	PAWU3	PAWU2	PAWU1	PAWU0
PA	PA7	PA6	PA5	PA4	PA3	PA2	PA1	PA0
PAC	PAC7	PAC6	PAC5	PAC4	PAC3	PAC2	PAC1	PAC0
PAPU	PAPU7	PAPU6	PAPU5	PAPU4	PAPU3	PAPU2	PAPU1	PAPU0
PB	—	—	—	—	—	PB2	PB1	PB0
PBC	—	—	—	—	—	PBC2	PBC1	PBC0
PBPU	—	—	—	—	—	PBPU2	PBPU1	PBPU0
PC	PC7	PC6	PC5	PC4	PC3	PC2	PC1	PC0
PCC	PCC7	PCC6	PCC5	PCC4	PCC3	PCC2	PCC1	PCC0
PCPU	PCPU7	PCPU6	PCPU5	PCPU4	PCPU3	PCPU2	PCPU1	PCPU0
PD	PD7	PD6	PD5	PD4	PD3	PD2	PD1	PD0
PDC	PDC7	PDC6	PDC5	PDC4	PDC3	PDC2	PDC1	PDC0
PDPU	PDPU7	PDPU6	PDPU5	PDPU4	PDPU3	PDPU2	PDPU1	PDPU0
PE	PE7	PE6	PE5	PE4	PE3	PE2	PE1	PE0
PEC	PEC7	PEC6	PEC5	PEC4	PEC3	PEC2	PEC1	PEC0
PEPU	PEPU7	PEPU6	PEPU5	PEPU4	PEPU3	PEPU2	PEPU1	PEPU0

I/O Registers List – HT66FV160

"—": Unimplemented, read as "0".

PAWUn: Port A Pin wake-up function control

0: Disable

1: Enable

PAPUn/PBPUn/PCPUn/PDPUn/PEPUn: I/O Pin pull-high function control

0: Disable

1: Enable

PAn/PBn/PCn/PDn/PEn: I/O Port Data bit

0: Data 0

1: Data 1

PACn/PBCn/PCCn/PDCn/PECn: I/O Pin type selection

0: Output

1: Input

Pull-high Resistors

Many product applications require pull-high resistors for their switch inputs usually requiring the use of an external resistor. To eliminate the need for these external resistors, all I/O pins, when configured as an input have the capability of being connected to an internal pull-high resistor. These pull-high resistors are selected using the relevant pull-high control registers and are implemented using weak PMOS transistors.

Port A Wake-up

The HALT instruction forces the microcontroller into the SLEEP or IDLE Mode which preserves power, a feature that is important for battery and other low-power applications. Various methods exist to wake-up the microcontroller, one of which is to change the logic condition on one of the Port A pins from high to low. This function is especially suitable for applications that can be woken up via external switches. Each pin on Port A can be selected individually to have this wake-up feature using the PAWU register.

I/O Port Control Registers

Each Port has its own control register, known as PAC~PEC, which controls the input/output configuration. With this control register, each I/O pin with or without pull-high resistors can be reconfigured dynamically under software control. For the I/O pin to function as an input, the corresponding bit of the control register must be written as a "1". This will then allow the logic state of the input pin to be directly read by instructions. When the corresponding bit of the control register is written as a "0", the I/O pin will be setup as a CMOS output. If the pin is currently setup as an output, instructions can still be used to read the output register.

However, it should be noted that the program will in fact only read the status of the output data latch and not the actual logic status of the output pin.

I/O Port Source Current Control

These devices support different source current driving capability for each I/O port. With the corresponding selection register, SLEDC0 and SLEDC1, each I/O port can support four levels of the source current driving capability. Users should refer to the D.C. characteristics section to select the desired source current for different applications.

Register Name	Bit							
	7	6	5	4	3	2	1	0
SLEDC0 (HT66FV130/HT66FV140)	—	—	PCPS1	PCPS0	PBPS1	PBPS0	PAPS1	PAPS0
SLEDC0 (HT66FV150/HT66FV160)	PDPS1	PDPS0	PCPS1	PCPS0	PBPS1	PBPS0	PAPS1	PAPS0
SLEDC1 (HT66FV150/HT66FV160)	—	—	—	—	—	—	PEPS1	PEPS0

I/O Port Source Current Control Registers List

SLEDC0 Register – HT66FV130/HT66FV140

Register Name	Bit							
	7	6	5	4	3	2	1	0
Name	—	—	PCPS1	PCPS0	PBPS1	PBPS0	PAPS1	PAPS0
R/W	—	—	R/W	R/W	R/W	R/W	R/W	R/W
POR	—	—	0	0	0	0	0	0

- Bit 7~6 "—" Unimplemented, read as 0
- Bit 5~4 **PCPS1~PCP0**: Port C source current selection
 00: source current=Level 0 (min.)
 01: source current=Level 1
 10: source current=Level 2
 11: source current=Level 3 (max.)
- Bit 3~2 **PBPS1~PBP0**: Port B source current selection
 00: source current=Level 0 (min.)
 01: source current=Level 1
 10: source current=Level 2
 11: source current=Level 3 (max.)
- Bit 1~0 **PAPS1~PAP0**: Port A source current selection
 00: source current=Level 0 (min.)
 01: source current=Level 1
 10: source current=Level 2
 11: source current=Level 3 (max.)

SLEDC0 Register – HT66FV150/HT66FV160

Register Name	Bit							
	7	6	5	4	3	2	1	0
Name	PDPS1	PDPS0	PCPS1	PCPS0	PBPS1	PBPS0	PAPS1	PAPS0
R/W	R/W	R/W	R/W	R/W	R/W	R/W	R/W	R/W
POR	0	0	0	0	0	0	0	0

- Bit 7~6 **PDPS1~PDP0**: Port D source current selection
 00: source current=Level 0 (min.)
 01: source current=Level 1
 10: source current=Level 2
 11: source current=Level 3 (max.)
- Bit 5~4 **PCPS1~PCP0**: Port C source current selection
 00: source current=Level 0 (min.)
 01: source current=Level 1
 10: source current=Level 2
 11: source current=Level 3 (max.)
- Bit 3~2 **PBPS1~PBP0**: Port B source current selection
 00: source current=Level 0 (min.)
 01: source current=Level 1
 10: source current=Level 2
 11: source current=Level 3 (max.)
- Bit 1~0 **PAPS1~PAP0**: Port A source current selection
 00: source current=Level 0 (min.)
 01: source current=Level 1
 10: source current=Level 2
 11: source current=Level 3 (max.)

SLEDC1 Register – HT66FV150/HT66FV160

Register Name	Bit							
	7	6	5	4	3	2	1	0
Name	—	—	—	—	—	—	PEPS1	PEPS0
R/W	—	—	—	—	—	—	R/W	R/W
POR	—	—	—	—	—	—	0	0

Bit 7~2 "—" Unimplemented, read as 0

Bit 1~0 **PEPS1~PEP0**: Port E source current selection
 00: source current=Level 0 (min.)
 01: source current=Level 1
 10: source current=Level 2
 11: source current=Level 3 (max.)

Pin-shared Functions

The flexibility of the microcontroller range is greatly enhanced by the use of pins that have more than one function. Limited numbers of pins can force serious design constraints on designers but by supplying pins with multi-functions, many of these difficulties can be overcome. For these pins, the desired function of the multi-function I/O pins is selected by a series of registers via the application program control.

Pin-shared Function Selection Registers

The limited number of supplied pins in a package can impose restrictions on the amount of functions a certain device can contain. However by allowing the same pins to share several different functions and providing a means of function selection, a wide range of different functions can be incorporated into even relatively small package sizes. Each device includes Port "x" output function Selection register "n", labeled as PxSn, and Input Function Selection register, labeled as IFS, which can select the desired functions of the multi-function pin-shared pins.

When the pin-shared input function is selected to be used, the corresponding input and output functions selection should be properly managed. For example, if the I²C SDA line is used, the corresponding output pin-shared function should be configured as the SDI/SDA function by configuring the PxSn register. However, if the external interrupt function is selected to be used, the relevant output pin-shared function should be selected as an INTn pin and the interrupt input signal should be selected.

The most important point to note is to make sure that the desired pin-shared function is properly selected and also deselected. To select the desired pin-shared function, the pin-shared function should first be correctly selected using the corresponding pin-shared control register. After that the corresponding peripheral functional setting should be configured and then the peripheral function can be enabled. To correctly deselect the pin-shared function, the peripheral function should first be disabled and then the corresponding pin-shared function control register can be modified to select other pin-shared functions.

Register Name	Bit							
	7	6	5	4	3	2	1	0
PAS0	—	—	PAS05	PAS04	PAS03	PAS02	PAS01	PAS00
PAS1	PAS17	PAS16	PAS15	PAS14	—	—	—	—
PBS0	—	—	PBS05	PBS04	PBS03	PBS02	PBS01	PBS00
PCS0	—	—	PCS05	PCS04	PCS03	PCS02	PCS01	PCS00
PCS1	PCS17	PCS16	PCS15	PCS14	PCS13	PCS12	PCS11	PCS10
IFS	—	—	—	—	IFS3	IFS2	—	—

Pin-shared Function Selection Registers List – HT66FV130

Register Name	Bit							
	7	6	5	4	3	2	1	0
PAS0	PAS07	PAS06	PAS05	PAS04	PAS03	PAS02	PAS01	PAS00
PAS1	PAS17	PAS16	PAS15	PAS14	PAS13	PAS12	PAS11	PAS10
PBS0	—	—	PBS05	PBS04	PBS03	PBS02	PBS01	PBS00
PCS0	PCS07	PCS06	PCS05	PCS04	PCS03	PCS02	PCS01	PCS00
PCS1	PCS17	PCS16	PCS15	PCS14	PCS13	PCS12	PCS11	PCS10
IFS	—	—	IFS5	IFS4	IFS3	IFS2	—	—

Pin-shared Function Selection Registers List – HT66FV140

Register Name	Bit							
	7	6	5	4	3	2	1	0
PAS0	PAS07	PAS06	PAS05	PAS04	PAS03	PAS02	PAS01	PAS00
PAS1	PAS17	PAS16	PAS15	PAS14	PAS13	PAS12	PAS11	PAS10
PBS0	—	—	PBS05	PBS04	PBS03	PBS02	PBS01	PBS00
PCS0	PCS07	PCS06	PCS05	PCS04	PCS03	PCS02	PCS01	PCS00
PCS1	PCS17	PCS16	PCS15	PCS14	PCS13	PCS12	PCS11	PCS10
PDS0	PDS07	PDS06	PDS05	PDS04	PDS03	PDS02	PDS01	PDS00
PES0	PES07	PES06	PES05	PES04	PES03	PES02	PES01	PES00
IFS	IFS7	IFS6	IFS5	IFS4	IFS3	IFS2	—	—

Pin-shared Function Selection Registers List – HT66FV150

Register Name	Bit							
	7	6	5	4	3	2	1	0
PAS0	PAS07	PAS06	PAS05	PAS04	PAS03	PAS02	PAS01	PAS00
PAS1	PAS17	PAS16	PAS15	PAS14	PAS13	PAS12	PAS11	PAS10
PBS0	—	—	PBS05	PBS04	PBS03	PBS02	PBS01	PBS00
PCS0	PCS07	PCS06	PCS05	PCS04	PCS03	PCS02	PCS01	PCS00
PCS1	PCS17	PCS16	PCS15	PCS14	PCS13	PCS12	PCS11	PCS10
PDS0	PDS07	PDS06	PDS05	PDS04	PDS03	PDS02	PDS01	PDS00
PDS1	PDS17	PDS16	PDS15	PDS14	PDS13	PDS12	PDS11	PDS10
PES0	PES07	PES06	PES05	PES04	PES03	PES02	PES01	PES00
PES1	PES17	PES16	PES15	PES14	PES13	PES12	PES11	PES10
IFS	IFS7	IFS6	IFS5	IFS4	IFS3	IFS2	IFS1	IFS0

Pin-shared Function Selection Registers List – HT66FV160

• **PAS0 Register - HT66FV130**

Register Name	Bit							
	7	6	5	4	3	2	1	0
Name	—	—	PAS05	PAS04	PAS03	PAS02	PAS01	PAS00
R/W	—	—	R/W	R/W	R/W	R/W	R/W	R/W
POR	—	—	0	0	0	0	0	0

- Bit 7~6 "—" Unimplemented, read as 0
- Bit 5~4 **PAS05~PAS04**: PA2 pin function selection
00/01/10/11: PA2/PTCK0
- Bit 3~2 **PAS03~PAS02**: PA1 pin function selection
00/10: PA1/PTP0I
01: PTP0
11: AN2
- Bit 1~0 **PAS01~PAS00**: PA0 pin function selection
00/10/11: PA0/PTP0I
01: PTP0

• **PAS0 Register – HT66FV140/HT66FV150/HT66FV160**

Register Name	Bit							
	7	6	5	4	3	2	1	0
Name	PAS07	PAS06	PAS05	PAS04	PAS03	PAS02	PAS01	PAS00
R/W	R/W	R/W	R/W	R/W	R/W	R/W	R/W	R/W
POR	0	0	0	0	0	0	0	0

- Bit 7~6 **PAS07~PAS06**: PA3 pin function selection
00/10: PA3/PTP1I
01: PTP1
11: AN3
- Bit 5~4 **PAS05~PAS04**: PA2 pin function selection
00/01/10/11: PA2/PTCK0
- Bit 3~2 **PAS03~PAS02**: PA1 pin function selection
00/10: PA1/PTP0I
01: PTP0
11: AN2
- Bit 1~0 **PAS01~PAS00**: PA0 pin function selection
00/10/11: PA0/PTP0I
01: PTP0

• **PAS1 Register – HT66FV130**

Register Name	Bit							
	7	6	5	4	3	2	1	0
Name	PAS17	PAS16	PAS15	PAS14	—	—	—	—
R/W	R/W	R/W	R/W	R/W	—	—	—	—
POR	0	0	0	0	—	—	—	—

- Bit 7~6 **PAS17~PAS16**: PA7 pin function selection
00/01: PA7/CTCK0
10: XT1
11: AN7
- Bit 5~4 **PAS15~PAS14**: PA6 pin function selection
00: PA6/INT1
01: CTP0
10: XT2
11: AN6
- Bit 3~0 "—" Unimplemented, read as 0

• **PAS1 Register – HT66FV140/HT66FV150/HT66FV160**

Register Name	Bit							
	7	6	5	4	3	2	1	0
Name	PAS17	PAS16	PAS15	PAS14	PAS13	PAS12	PAS11	PAS10
R/W	R/W	R/W	R/W	R/W	R/W	R/W	R/W	R/W
POR	0	0	0	0	0	0	0	0

Bit 7~6 **PAS17~PAS16:** PA7 pin function selection
00/01: PA7/CTCK0
10: XT1
11: AN7

Bit 5~4 **PAS15~PAS14:** PA6 pin function selection
00: PA6/INT1
01: CTP0
10: XT2
11: AN6

Bit 3~2 **PAS13~PAS12:** PA5 pin function selection
00/10: PA5
01: CTP0
11: AN5

Bit 1~0 **PAS11~PAS10:** PA4 pin function selection
00/10: PA4/PTP1I
01: PTP1
11: AN4

• **PBS0 Register – HT66FV130/HT66FV140/HT66FV150/HT66FV160**

Register Name	Bit							
	7	6	5	4	3	2	1	0
Name	—	—	PBS05	PBS04	PBS03	PBS02	PBS01	PBS00
R/W	—	—	R/W	R/W	R/W	R/W	R/W	R/W
POR	—	—	0	0	0	0	0	0

Bit 7~6 "—" Unimplemented, read as 0

Bit 5~4 **PBS05~PBS04:** PB2 pin function selection
00/01/10: PB2/INT0
11: OSC2

Bit 3~2 **PBS03~PBS02:** PB1 pin function selection
00/01/10: PB1/PTCK1
11: OSC1

Bit 1~0 **PBS01~PBS00:** PB0 pin function selection
00/01/10: PB0
11: VDDIO

When this pin is selected as the VDDIO pin, the corresponding I/O and pull-high functions are all disabled. Then the I/O Port C power will be supplied by the VDDIO pin.

• **PCS0 Register – HT66FV130**

Register Name	Bit							
	7	6	5	4	3	2	1	0
Name	—	—	PCS05	PCS04	PCS03	PCS02	PCS01	PCS00
R/W	—	—	R/W	R/W	R/W	R/W	R/W	R/W
POR	—	—	0	0	0	0	0	0

- Bit 7~6 "—" Unimplemented, read as 0
- Bit 5~4 **PCS05~PCS04**: PC2 pin function selection
 00/10/11: PC2
 01: SDI/SDA
- Bit 3~2 **PCS03~PCS02**: PC1 pin function selection
 00: PC1
 01: SCK/SCL
 10: VREF
 11: AN1
- Bit 1~0 **PCS01~PCS00**: PC0 pin function selection
 00: PC0
 01: SDO
 10: VREFI
 11: AN0

• **PCS0 Register – HT66FV140**

Register Name	Bit							
	7	6	5	4	3	2	1	0
Name	PCS07	PCS06	PCS05	PCS04	PCS03	PCS02	PCS01	PCS00
R/W	R/W	R/W	R/W	R/W	R/W	R/W	R/W	R/W
POR	0	0	0	0	0	0	0	0

- Bit 7~6 **PCS07~PCS06**: PC3 pin function selection
 00/10/11: PC3
 01: SCS
- Bit 5~4 **PCS05~PCS04**: PC2 pin function selection
 00/10/11: PC2
 01: SDI/SDA
- Bit 3~2 **PCS03~PCS02**: PC1 pin function selection
 00: PC1
 01: SCK/SCL
 10: VREF
 11: AN1
- Bit 1~0 **PCS01~PCS00**: PC0 pin function selection
 00: PC0
 01: SDO
 10: VREFI
 11: AN0

• **PCS0 Register – HT66FV150/HT66FV160**

Register Name	Bit							
	7	6	5	4	3	2	1	0
Name	PCS07	PCS06	PCS05	PCS04	PCS03	PCS02	PCS01	PCS00
R/W	R/W	R/W	R/W	R/W	R/W	R/W	R/W	R/W
POR	0	0	0	0	0	0	0	0

Bit 7~6 **PCS07~PCS06:** PC3 pin function selection
 00/11: PC3
 01:SCS
 10: TX

Bit 5~4 **PCS05~PCS04:** PC2 pin function selection
 00/11: PC2
 01: SDI/SDA
 10: RX

Bit 3~2 **PCS03~PCS02:** PC1 pin function selection
 00: PC1
 01: SCK/SCL
 10: VREFO
 11: AN1

Bit 1~0 **PCS01~PCS00:** PC0 pin function selection
 00: PC0
 01: SDO
 10: VREF
 11: AN0

• **PCS1 Register – HT66FV130/HT66FV140/HT66FV150/HT66FV160**

Register Name	Bit							
	7	6	5	4	3	2	1	0
Name	PCS17	PCS16	PCS15	PCS14	PCS13	PCS12	PCS11	PCS10
R/W	R/W	R/W	R/W	R/W	R/W	R/W	R/W	R/W
POR	0	0	0	0	0	0	0	0

Bit 7~6 **PCS17~PCS16:** PC7 pin function selection
 00/10/11: PC7
 01: SCSA

Bit 5~4 **PCS15~PCS14:** PC6 pin function selection
 00/10/11: PC6
 01: SDIA

Bit 3~2 **PCS13~PCS12:** PC5 pin function selection
 00/10/11: PC5
 01: SCKA

Bit 1~0 **PCS11~PCS10:** PC4 pin function selection
 00/10/11: PC4
 01: SDOA

• **PDS0 Register – HT66FV150/HT66FV160**

Register Name	Bit							
	7	6	5	4	3	2	1	0
Name	PDS07	PDS06	PDS05	PDS04	PDS03	PDS02	PDS01	PDS00
R/W	R/W	R/W	R/W	R/W	R/W	R/W	R/W	R/W
POR	0	0	0	0	0	0	0	0

- Bit 7~6 **PDS07~PDS06:** PD3 pin function selection
 00/01/11: PD3
 10: SCOM3
- Bit 5~4 **PDS05~PDS04:** PD2 pin function selection
 00/01/11: PD2
 10: SCOM2
- Bit 3~2 **PDS03~PDS02:** PD1 pin function selection
 00/01/11: PD1
 10: SCOM1
- Bit 1~0 **PDS01~PDS00:** PD0 pin function selection
 00/01/11: PD0
 10: SCOM0

• **PDS1 Register – HT66FV160**

Register Name	Bit							
	7	6	5	4	3	2	1	0
Name	PDS17	PDS16	PDS15	PDS14	PDS13	PDS12	PDS11	PDS10
R/W	R/W	R/W	R/W	R/W	R/W	R/W	R/W	R/W
POR	0	0	0	0	0	0	0	0

- Bit 7~6 **PDS17~PDS16:** PD7 pin function selection
 00/01/10/11: PD7
- Bit 5~4 **PDS15~PDS14:** PD6 pin function selection
 00/01/10/11: PD6
- Bit 3~2 **PDS13~PDS12:** PD5 pin function selection
 00/01/10/11: PD5
- Bit 1~0 **PDS11~PDS10:** PD4 pin function selection
 00/01/10/11: PD4

• **PES0 Register – HT66FV150/HT66FV160**

Register Name	Bit							
	7	6	5	4	3	2	1	0
Name	PES07	PES06	PES05	PES04	PES03	PES02	PES01	PES00
R/W	R/W	R/W	R/W	R/W	R/W	R/W	R/W	R/W
POR	0	0	0	0	0	0	0	0

- Bit 7~6 **PES07~PES06:** PE3 pin function selection
 00/10/11: PE3
 01: CTP1
- Bit 5~4 **PES05~PES04:** PE2 pin function selection
 00/01/10/11: PE2/CTCK1
- Bit 3~2 **PES03~PES02:** PE1 pin function selection
 00/10/11: PE1
 01: RX
- Bit 1~0 **PES01~PES00:** PE0 pin function selection
 00/10/11: PE0
 01: TX

• PES1 Register – HT66FV160

Register Name	Bit							
	7	6	5	4	3	2	1	0
Name	PES17	PES16	PES15	PES14	PES13	PES12	PES11	PES10
R/W	R/W	R/W	R/W	R/W	R/W	R/W	R/W	R/W
POR	0	0	0	0	0	0	0	0

Bit 7~6 **PES17~PES16:** PE7 pin function selection
00/01/10/11: PE7

Bit 5~4 **PES15~PES14:** PE6 pin function selection
00/10/11: PE6/STP0I
01: STP0

Bit 3~2 **PES13~PES12:** PE5 pin function selection
00/10/11: PE5/STP0
01: STP0

Bit 1~0 **PES11~PES10:** PE4 pin function selection
00/01/10/11: PE4/STCK0

• IFS Register – HT66FV130

Register Name	Bit							
	7	6	5	4	3	2	1	0
Name	—	—	—	—	IFS3	IFS2	—	—
R/W	—	—	—	—	R/W	R/W	—	—
POR	—	—	—	—	0	0	—	—

Bit 7~4 "—" Unimplemented, read as 0

Bit 3~2 **IFS3~IFS2:** PTP0I input source pin selection
00: PA0
01/10/11: PA1

Bit 1~0 "—" Unimplemented, read as 0

• IFS Register – HT66FV140

Register Name	Bit							
	7	6	5	4	3	2	1	0
Name	—	—	IFS5	IFS4	IFS3	IFS2	—	—
R/W	—	—	R/W	R/W	R/W	R/W	—	—
POR	—	—	0	0	0	0	—	—

Bit 7~6 "—" Unimplemented, read as 0

Bit 5~4 **IFS5~IFS4:** PTP1I input source pin selection
00: PA3
01/10/11: PA4

Bit 3~2 **IFS3~IFS2:** PTP0I input source pin selection
00: PA0
01/10/11: PA1

Bit 1~0 "—" Unimplemented, read as 0

• **IFS Register – HT66FV150**

Register Name	Bit							
	7	6	5	4	3	2	1	0
Name	IFS7	IFS6	IFS5	IFS4	IFS3	IFS2	—	—
R/W	R/W	R/W	R/W	R/W	R/W	R/W	—	—
POR	0	0	0	0	0	0	—	—

Bit 7~6 **IFS7~IFS6:** UART RX input source pin selection
 00: PC2
 01/10/11: PE1

Bit 5~4 **IFS5~IFS4:** PTP1I input source pin selection
 00: PA3
 01/10/11: PA4

Bit 3~2 **IFS3~IFS2:** PTP0I input source pin selection
 00: PA0
 01/10/11: PA1

Bit 1~0 "—" Unimplemented, read as 0

• **IFS Register – HT66FV160**

Register Name	Bit							
	7	6	5	4	3	2	1	0
Name	IFS7	IFS6	IFS5	IFS4	IFS3	IFS2	IFS1	IFS0
R/W	R/W	R/W	R/W	R/W	R/W	R/W	R/W	R/W
POR	0	0	0	0	0	0	0	0

Bit 7~6 **IFS7~IFS6:** UART RX input source pin selection
 00: PC2
 01/10/11: PE1

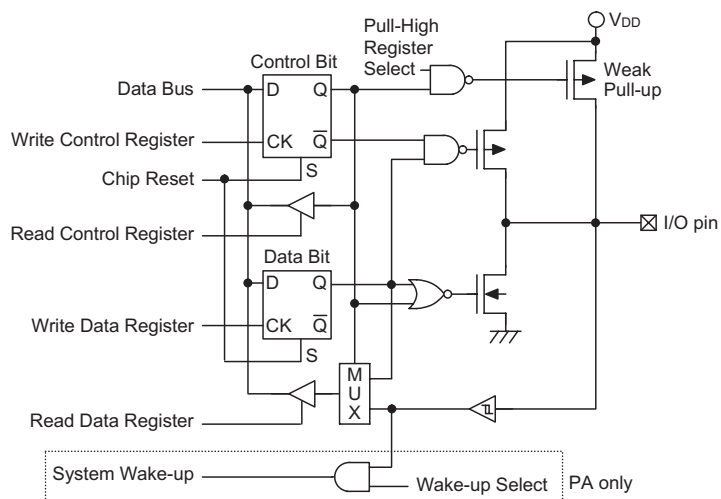
Bit 5~4 **IFS5~IFS4:** PTP1I input source pin selection
 00: PA3
 01/10/11: PA4

Bit 3~2 **IFS3~IFS2:** PTP0I input source pin selection
 00: PA0
 01/10/11: PA1

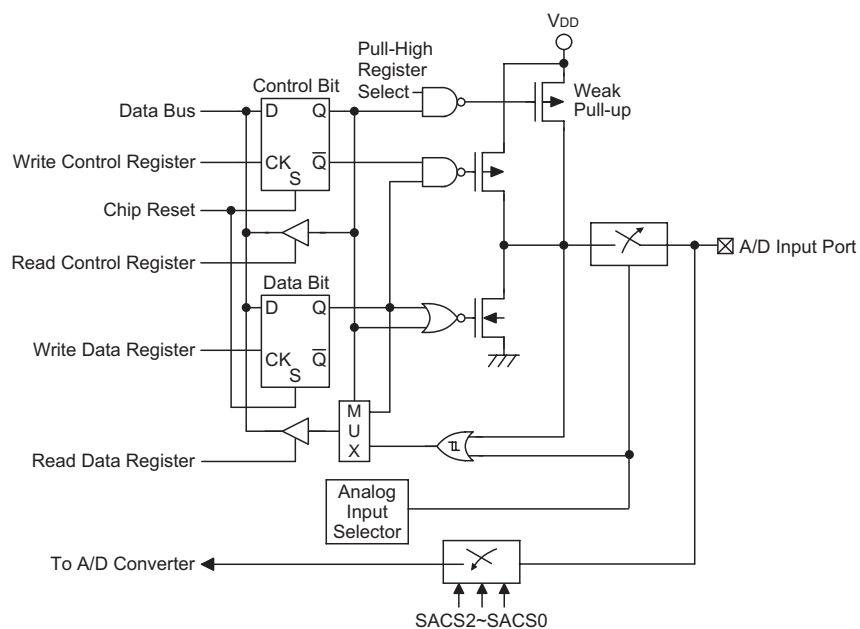
Bit 1~0 **IFS1~IFS0:** STP0I input source pin selection
 00: PE5
 01/10/11: PE6

I/O Pin Structures

The accompanying diagrams illustrate the internal structures of some generic I/O pin types. As the exact logical construction of the I/O pin will differ from these drawings, they are supplied as a guide only to assist with the functional understanding of the I/O pins. The wide range of pin-shared structures does not permit all types to be shown.



Generic Input/Output Structure



A/D Input/Output Structure

Programming Considerations

Within the user program, one of the things first to consider is port initialisation. After a reset, all of the I/O data and port control registers will be set to high. This means that all I/O pins will be defaulted to an input state, the level of which depends on the other connected circuitry and whether pull-high selections have been chosen. If the port control registers are then programmed to setup some pins as outputs, these output pins will have an initial high output value unless the associated port data registers are first programmed. Selecting which pins are inputs and which are outputs can be achieved byte-wide by loading the correct values into the appropriate port control register or by programming individual bits in the port control register using the "SET [m].i" and "CLR [m].i" instructions. Note that when using these bit control instructions, a read-modify-write operation takes place. The microcontroller must first read in the data on the entire port, modify it to the required new bit values and then rewrite this data back to the output ports.

Port A has the additional capability of providing wake-up functions. When the device is in the SLEEP or IDLE Mode, various methods are available to wake the device up. One of these is a high to low transition of any of the Port A pins. Single or multiple pins on Port A can be setup to have this function.

Timer Modules – TM

One of the most fundamental functions in any microcontroller devices is the ability to control and measure time. To implement time related functions the device includes several Timer Modules, generally abbreviated to the name TM. The TMs are multi-purpose timing units and serve to provide operations such as Timer/Counter, Input Capture, Compare Match Output and Single Pulse Output as well as being the functional unit for the generation of PWM signals. Each of the TMs has two interrupts. The addition of input and output pins for each TM ensures that users are provided with timing units with a wide and flexible range of features.

The common features of the different TM types are described here with more detailed information provided in the individual Compact, Standard and Periodic TM sections.

Introduction

These devices contain three TMs and each individual TM can be categorised as a certain type, namely Compact Type TM, Standard Type TM or Periodic Type TM. Although similar in nature, the different TM types vary in their feature complexity. The common features to all of the Compact, Standard and Periodic TMs will be described in this section and the detailed operation regarding each of the TM types will be described in separate sections. The main features and differences between the three types of TMs are summarised in the accompanying table.

TM Function	CTM	STM	PTM
Timer/Counter	√	√	√
Input Capture	—	√	√
Compare Match Output	√	√	√
PWM Channels	1	1	1
Single Pulse Output	—	1	1
PWM Alignment	Edge	Edge	Edge
PWM Adjustment Period & Duty	Duty or Period	Duty or Period	Duty or Period

TM Function Summary

TM Operation

The different types of TM offer a diverse range of functions, from simple timing operations to PWM signal generation. The key to understanding how the TM operates is to see it in terms of a free running count-up counter whose value is then compared with the value of pre-programmed internal comparators. When the free running count-up counter has the same value as the pre-programmed comparator, known as a compare match situation, a TM interrupt signal will be generated which can clear the counter and perhaps also change the condition of the TM output pin. The internal TM counter is driven by a user selectable clock source, which can be an internal clock or an external pin.

TM Clock Source

The clock source which drives the main counter in each TM can originate from various sources. The selection of the required clock source is implemented using the xTnCK2~xTnCK0 bits in the xTMn control registers, where "x" stands for C, S or P type TM and "n" stands for the specific TM serial number. The clock source can be a ratio of the system clock, f_{SYS} , or the internal high clock, f_{IH} , the f_{SUB} clock source or the external xTCKn pin. The xTCKn pin clock source is used to allow an external signal to drive the TM as an external clock source for event counting.

TM Interrupts

The Compact, Standard or Periodic type TM has two internal interrupt, one for each of the internal comparator A or comparator P, which generate a TM interrupt when a compare match condition occurs. When a TM interrupt is generated, it can be used to clear the counter and also to change the state of the TM output pin.

TM External Pins

Each of the TMs, irrespective of what type, has one or two TM input pins, with the label xTCKn and xTPnI respectively. The xTMn input pin, xTCKn, is essentially a clock source for the xTMn and is selected using the xTnCK2~xTnCK0 bits in the xTMnCO register. This external TM input pin allows an external clock source to drive the internal TM. The xTCKn input pin can be chosen to have either a rising or falling active edge. The STCKn and PTCKn pins are also used as the external trigger input pin in single pulse output mode for the STMn and PTMn respectively.

The other xTMn input pin, xTPnI, is the capture input whose active edge can be a rising edge, a falling edge or both rising and falling edges and the active edge transition type is selected using the STnIO1~STnIO0 or PTnIO1~PTnIO0 bits in the STMnC1 or PTMnC1 register respectively. There is another capture input, PTCKn, for PTMn capture input mode, which can be used as the external trigger input source except the PTPnI pin.

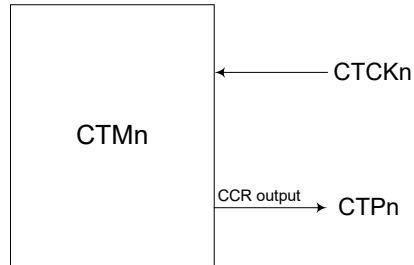
The TMs each have one output pin. The TM output pins can be selected using the corresponding pin-shared function selection bits described in the Pin-shared Function section. When the TM is in the Compare Match Output Mode, these pins can be controlled by the TM to switch to a high or low level or to toggle when a compare match situation occurs. The external xTPn output pin is also the pin where the TM generates the PWM output waveform. As the TM output pins are pin-shared with other functions, the TM output function must first be setup using relevant pin-shared function selection register.

Device	CTM	STM	PTM
HT66FV130	CTCK0; CTP0	—	PTCK0, PTP0I; PTP0
HT66FV140	CTCK0; CTP0	—	PTCK0, PTP0I; PTP0 PTCK1, PTP1I; PTP1
HT66FV150	CTCK0; CTP0 CTCK1; CTP1	—	PTCK0, PTP0I; PTP0 PTCK1, PTP1I; PTP1
HT66FV160	CTCK0; CTP0 CTCK1; CTP1	STCK0, STP0I; STP0	PTCK0, PTP0I; PTP0 PTCK1, PTP1I; PTP1

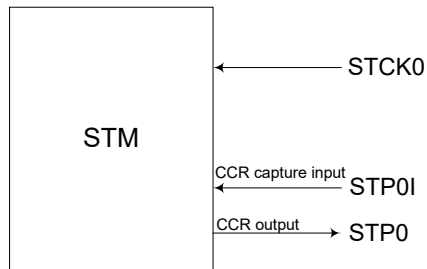
TM External Pins

TM Input/Output Pin Control Register

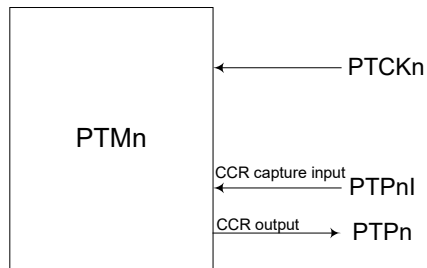
Selecting to have a TM input/output or whether to retain its other shared function is implemented using the relevant pin-shared function selection registers, with the corresponding selection bits in each pin-shared function register corresponding to a TM input/output pin. Configuring the selection bits correctly will setup the corresponding pin as a TM input/output. The details of the pin-shared function selection are described in the pin-shared function section.



CTM Function Pin Control Block Diagram – n=0 or 1



STM Function Pin Control Block Diagram – HT66FV160 only

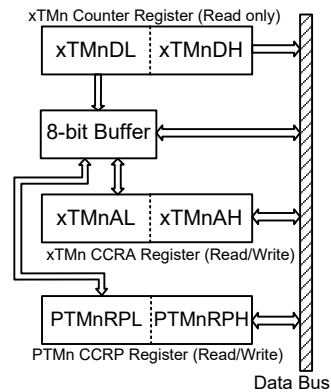


PTM Function Pin Control Block Diagram – n=0 or 1

Programming Considerations

The TM Counter Registers and the Capture/Compare CCRA and CCRP registers, all have a low and high byte structure. The high bytes can be directly accessed, but as the low bytes can only be accessed via an internal 8-bit buffer, reading or writing to these register pairs must be carried out in a specific way. The important point to note is that data transfer to and from the 8-bit buffer and its related low byte only takes place when a write or read operation to its corresponding high byte is executed.

As the CCRA and CCRP registers are implemented in the way shown in the following diagram and accessing these register pairs is carried out in a specific way as described above, it is recommended to use the "MOV" instruction to access the CCRA and CCRP low byte registers, named xTMnAL and PTMnRPL, using the following access procedures. Accessing the CCRA or CCRB low byte registers without following these access procedures will result in unpredictable values.



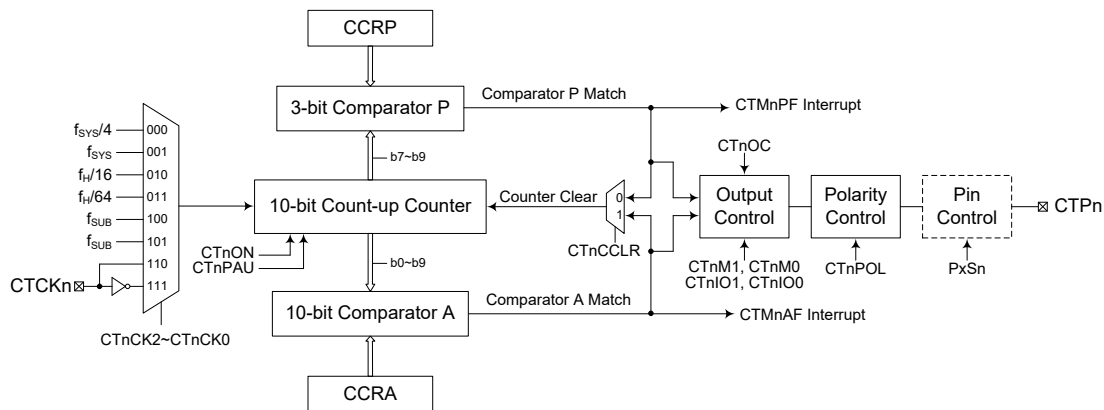
The following steps show the read and write procedures:

- Writing Data to CCRA or CCRP
 - ♦ Step 1. Write data to Low Byte xTMnAL or PTMnRPL
 - note that here data is only written to the 8-bit buffer.
 - ♦ Step 2. Write data to High Byte xTMnAH or PTMnRPH
 - here data is written directly to the high byte registers and simultaneously data is latched from the 8-bit buffer to the Low Byte registers.
- Reading Data from the Counter Registers and CCRA or CCRP
 - ♦ Step 1. Read data from the High Byte xTMnDH, xTMnAH or PTMnRPH
 - here data is read directly from the High Byte registers and simultaneously data is latched from the Low Byte register into the 8-bit buffer.
 - ♦ Step 2. Read data from the Low Byte xTMnDL, xTMnAL or PTMnRPL
 - this step reads data from the 8-bit buffer.

Compact Type TM – CTM

Although the simplest form of the TM types, the Compact TM type still contains three operating modes, which are Compare Match Output, Timer/Event Counter and PWM Output modes. The Compact TM can also be controlled with an external input pin and can drive one external output pin.

Device	CTM Core	CTM Input Pin	CTM Output Pin	Note
HT66FV130	10-bit CTM (CTM0)	CTCK0	CTP0	n=0
HT66FV140	10-bit CTM (CTM0)	CTCK0	CTP0	n=0
HT66FV150	10-bit CTM (CTM0, CTM1)	CTCK0, CTCK1	CTP0, CTP1	n=0~1
HT66FV160	10-bit CTM (CTM0, CTM1)	CTCK0, CTCK1	CTP0, CTP1	n=0~1



Compact Type TM Block Diagram – n=0 or 1

Compact TM Operation

The Compact TM core is a 10-bit count-up counter which is driven by a user selectable internal or external clock source. There are also two internal comparators with the names, Comparator A and Comparator P. These comparators will compare the value in the counter with CCRP and CCRA registers. The CCRP is three-bit wide whose value is compared with the highest three bits in the counter while the CCRA is ten-bit wide and therefore compares with all counter bits.

The only way of changing the value of the 10-bit counter using the application program, is to clear the counter by changing the CTnON bit from low to high. The counter will also be cleared automatically by a counter overflow or a compare match with one of its associated comparators. When these conditions occur, a TM interrupt signal will also usually be generated. The Compact Type TM can operate in a number of different operational modes, can be driven by different clock sources including an input pin and can also control an output pin. All operating setup conditions are selected using relevant internal registers.

Compact Type TM Register Description

Overall operation of the Compact TM is controlled using a series of registers. A read only register pair exists to store the internal counter 10-bit value, while a read/write register pair exists to store the internal 10-bit CCRA value. The remaining two registers are control registers which setup the different operating and control modes and as well as the three CCRP bits.

Register Name	Bit7	Bit6	Bit5	Bit4	Bit3	Bit2	Bit1	Bit0
CTMnC0	CTnPAU	CTnCK2	CTnCK1	CTnCK0	CTnON	CTnRP2	CTnRP1	CTnRP0
CTMnC1	CTnM1	CTnM0	CTnIO1	CTnIO0	CTnOC	CTnPOL	CTnDPX	CTnCCLR
CTMnDL	D7	D6	D5	D4	D3	D2	D1	D0
CTMnDH	—	—	—	—	—	—	D9	D8
CTMnAL	D7	D6	D5	D4	D3	D2	D1	D0
CTMnAH	—	—	—	—	—	—	D9	D8

10-bit Compact TM Registers List – n=0 or 1

CTMnDL Register

Bit	7	6	5	4	3	2	1	0
Name	D7	D6	D5	D4	D3	D2	D1	D0
R/W	R	R	R	R	R	R	R	R
POR	0	0	0	0	0	0	0	0

Bit 7~0 CTMn Counter Low Byte Register bit 7~bit 0
 CTMn 10-bit Counter bit 7~bit 0

CTMnDH Register

Bit	7	6	5	4	3	2	1	0
Name	—	—	—	—	—	—	D9	D8
R/W	—	—	—	—	—	—	R	R
POR	—	—	—	—	—	—	0	0

Bit 7~2 Unimplemented, read as "0"
 Bit 1~0 CTMn Counter High Byte Register bit 1~bit 0
 CTMn 10-bit Counter bit 9~bit 8

CTMnAL Register

Bit	7	6	5	4	3	2	1	0
Name	D7	D6	D5	D4	D3	D2	D1	D0
R/W	R/W	R/W	R/W	R/W	R/W	R/W	R/W	R/W
POR	0	0	0	0	0	0	0	0

Bit 7~0 CTMn CCRA Low Byte Register bit 7~bit 0
 CTMn 10-bit CCRA bit 7~bit 0

CTMnAH Register

Bit	7	6	5	4	3	2	1	0
Name	—	—	—	—	—	—	D9	D8
R/W	—	—	—	—	—	—	R/W	R/W
POR	—	—	—	—	—	—	0	0

Bit 7~2 Unimplemented, read as "0"
 Bit 1~0 CTMn CCRA High Byte Register bit 1~bit 0
 CTMn 10-bit CCRA bit 9~bit 8

CTMnC0 Register

Bit	7	6	5	4	3	2	1	0
Name	CTnPAU	CTnCK2	CTnCK1	CTnCK0	CTnON	CTnRP2	CTnRP1	CTnRP0
R/W	R/W	R/W	R/W	R/W	R/W	R/W	R/W	R/W
POR	0	0	0	0	0	0	0	0

- Bit 7** **CTnPAU:** CTMn Counter Pause control
 0: Run
 1: Pause
 The counter can be paused by setting this bit high. Clearing the bit to zero restores normal counter operation. When in a Pause condition the CTMn will remain powered up and continue to consume power. The counter will retain its residual value when this bit changes from low to high and resume counting from this value when the bit changes to a low value again.
- Bit 6~4** **CTnCK2~CTnCK0:** Select CTMn Counter clock
 000: $f_{SYS}/4$
 001: f_{SYS}
 010: $f_H/16$
 011: $f_H/64$
 100: f_{SUB}
 101: f_{SUB}
 110: CTCKn rising edge clock
 111: CTCKn falling edge clock
 These three bits are used to select the clock source for the CTMn. The external pin clock source can be chosen to be active on the rising or falling edge. The clock source f_{SYS} is the system clock, while f_H and f_{SUB} are other internal clocks, the details of which can be found in the oscillator section.
- Bit 3** **CTnON:** CTMn Counter On/Off control
 0: Off
 1: On
 This bit controls the overall on/off function of the CTMn. Setting the bit high enables the counter to run while clearing the bit disables the CTMn. Clearing this bit to zero will stop the counter from counting and turn off the CTMn which will reduce its power consumption. When the bit changes state from low to high the internal counter value will be reset to zero, however when the bit changes from high to low, the internal counter will retain its residual value until the bit returns high again. If the CTMn is in the Compare Match Output Mode then the CTMn output pin will be reset to its initial condition, as specified by the CTnOC bit, when the CTnON bit changes from low to high.
- Bit 2~0** **CTnRP2~CTnRP0:** CTMn CCRP 3-bit register, compared with the CTMn Counter bit 9~bit 7
 000: 1024 CTMn clocks
 001: 128 CTMn clocks
 010: 256 CTMn clocks
 011: 384 CTMn clocks
 100: 512 CTMn clocks
 101: 640 CTMn clocks
 110: 768 CTMn clocks
 111: 896 CTMn clocks
 These three bits are used to setup the value on the internal CCRP 3-bit register, which are then compared with the internal counter's highest three bits. The result of this comparison can be selected to clear the internal counter if the CTnCCLR bit is set to zero. Setting the CTnCCLR bit to zero ensures that a compare match with the CCRP values will reset the internal counter. As the CCRP bits are only compared with the highest three counter bits, the compare values exist in 128 clock cycle multiples. Clearing all three bits to zero is in effect allowing the counter to overflow at its maximum value.

CTMnC1 Register

Bit	7	6	5	4	3	2	1	0
Name	CTnM1	CTnM0	CTnIO1	CTnIO0	CTnOC	CTnPOL	CTnDPX	CTnCCLR
R/W	R/W	R/W	R/W	R/W	R/W	R/W	R/W	R/W
POR	0	0	0	0	0	0	0	0

Bit 7~6 **CTnM1~CTnM0**: Select CTMn Operating Mode

- 00: Compare Match Output Mode
- 01: Undefined
- 10: PWM Mode
- 11: Timer/Counter Mode

These bits setup the required operating mode for the CTMn. To ensure reliable operation the CTMn should be switched off before any changes are made to the CTnM1 and CTnM0 bits. In the Timer/Counter Mode, the CTMn output pin control will be disabled.

Bit 5~4 **CTnIO1~CTnIO0**: Select CTMn external pin (CTPn) function

Compare Match Output Mode

- 00: No change
- 01: Output low
- 10: Output high
- 11: Toggle output

PWM Output Mode

- 00: PWM output inactive state
- 01: PWM output active state
- 10: PWM output
- 11: Undefined

Timer/Counter Mode

Unused

These two bits are used to determine how the CTMn output pin changes state when a certain condition is reached. The function that these bits select depends upon in which mode the CTMn is running.

In the Compare Match Output Mode, the CTnIO1 and CTnIO0 bits determine how the CTMn output pin changes state when a compare match occurs from the Comparator A. The CTMn output pin can be setup to switch high, switch low or to toggle its present state when a compare match occurs from the Comparator A. When the bits are both zero, then no change will take place on the output. The initial value of the CTMn output pin should be setup using the CTnOC bit in the CTMnC1 register. Note that the output level requested by the CTnIO1 and CTnIO0 bits must be different from the initial value setup using the CTnOC bit otherwise no change will occur on the CTMn output pin when a compare match occurs. After the CTMn output pin changes state, it can be reset to its initial level by changing the level of the CTnON bit from low to high.

In the PWM Mode, the CTnIO1 and CTnIO0 bits determine how the CTMn output pin changes state when a certain compare match condition occurs. The PWM output function is modified by changing these two bits. It is necessary to only change the values of the CTnIO1 and CTnIO0 bits only after the CTMn has been switched off. Unpredictable PWM outputs will occur if the CTnIO1 and CTnIO0 bits are changed when the CTMn is running.

- Bit 3 **CTnOC**: CTPn Output control
Compare Match Output Mode
 0: Initial low
 1: Initial high
PWM Output Mode
 0: Active low
 1: Active high
This is the output control bit for the CTMn output pin. Its operation depends upon whether CTMn is being used in the Compare Match Output Mode or in the PWM Mode. It has no effect if the CTMn is in the Timer/Counter Mode. In the Compare Match Output Mode it determines the logic level of the CTMn output pin before a compare match occurs. In the PWM Mode it determines if the PWM signal is active high or active low.
- Bit 2 **CTnPOL**: CTPn Output polarity control
 0: Non-inverted
 1: Inverted
This bit controls the polarity of the CTPn output pin. When the bit is set high the CTMn output pin will be inverted and not inverted when the bit is zero. It has no effect if the TM is in the Timer/Counter Mode.
- Bit 1 **CTnDPX**: CTMn PWM duty/period control
 0: CCRP – period; CCRA – duty
 1: CCRP – duty; CCRA – period
This bit determines which of the CCRA and CCRP registers are used for period and duty control of the PWM waveform.
- Bit 0 **CTnCCLR**: CTMn Counter Clear condition selection
 0: CTMn Comparator P match
 1: CTMn Comparator A match
This bit is used to select the method which clears the counter. Remember that the Compact TM contains two comparators, Comparator A and Comparator P, either of which can be selected to clear the internal counter. With the CTnCCLR bit set high, the counter will be cleared when a compare match occurs from the Comparator A. When the bit is low, the counter will be cleared when a compare match occurs from the Comparator P or with a counter overflow. A counter overflow clearing method can only be implemented if the CCRP bits are all cleared to zero. The CTnCCLR bit is not used in the PWM Mode.

Compact Type TM Operation Modes

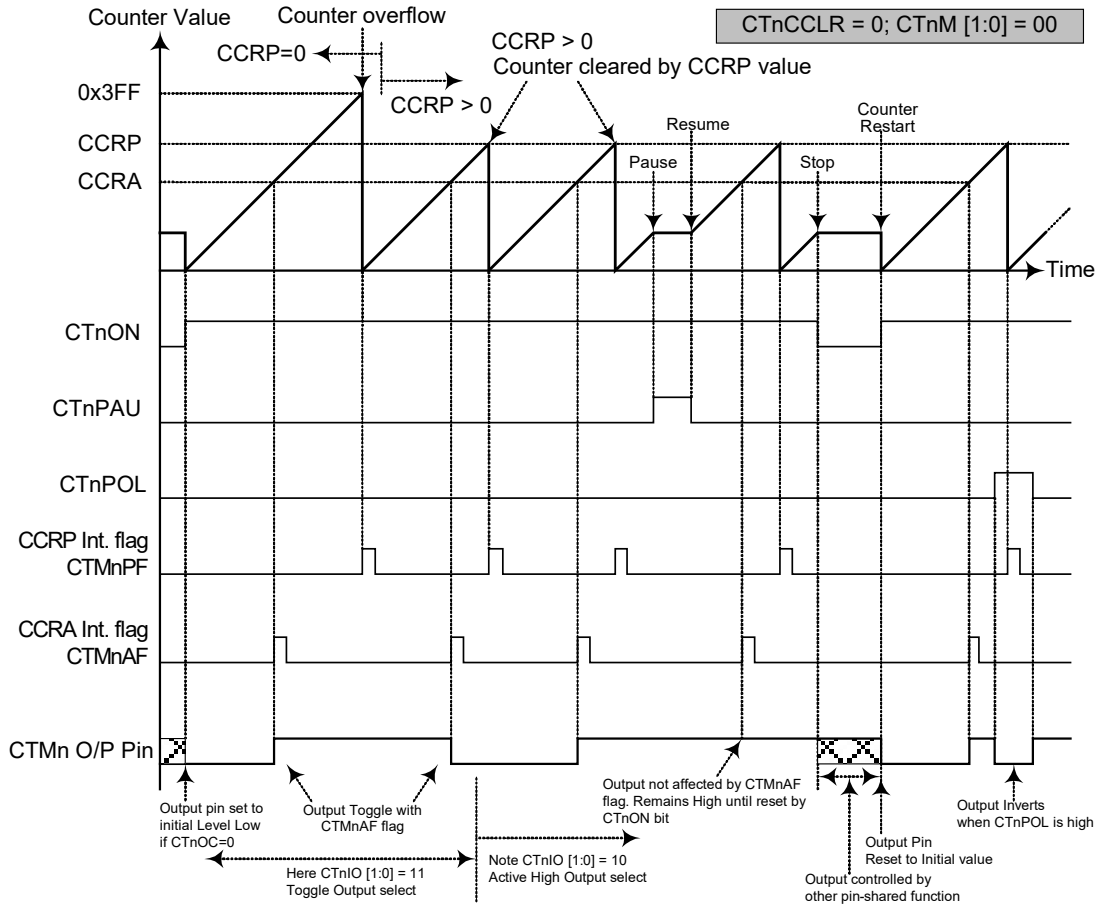
The Compact Type TM can operate in one of three operating modes, Compare Match Output Mode, PWM Mode or Timer/Counter Mode. The operating mode is selected using the CTnM1 and CTnM0 bits in the CTMnC1 register.

Compare Match Output Mode

To select this mode, bits CTnM1 and CTnM0 in the CTMnC1 register, should be set to "00" respectively. In this mode once the counter is enabled and running it can be cleared by three methods. These are a counter overflow, a compare match from Comparator A and a compare match from Comparator P. When the CTnCCLR bit is low, there are two ways in which the counter can be cleared. One is when a compare match occurs from Comparator P, the other is when the CCRP bits are all zero which allows the counter to overflow. Here both CTMnAF and CTMnPF interrupt request flags for the Comparator A and Comparator P respectively, will both be generated.

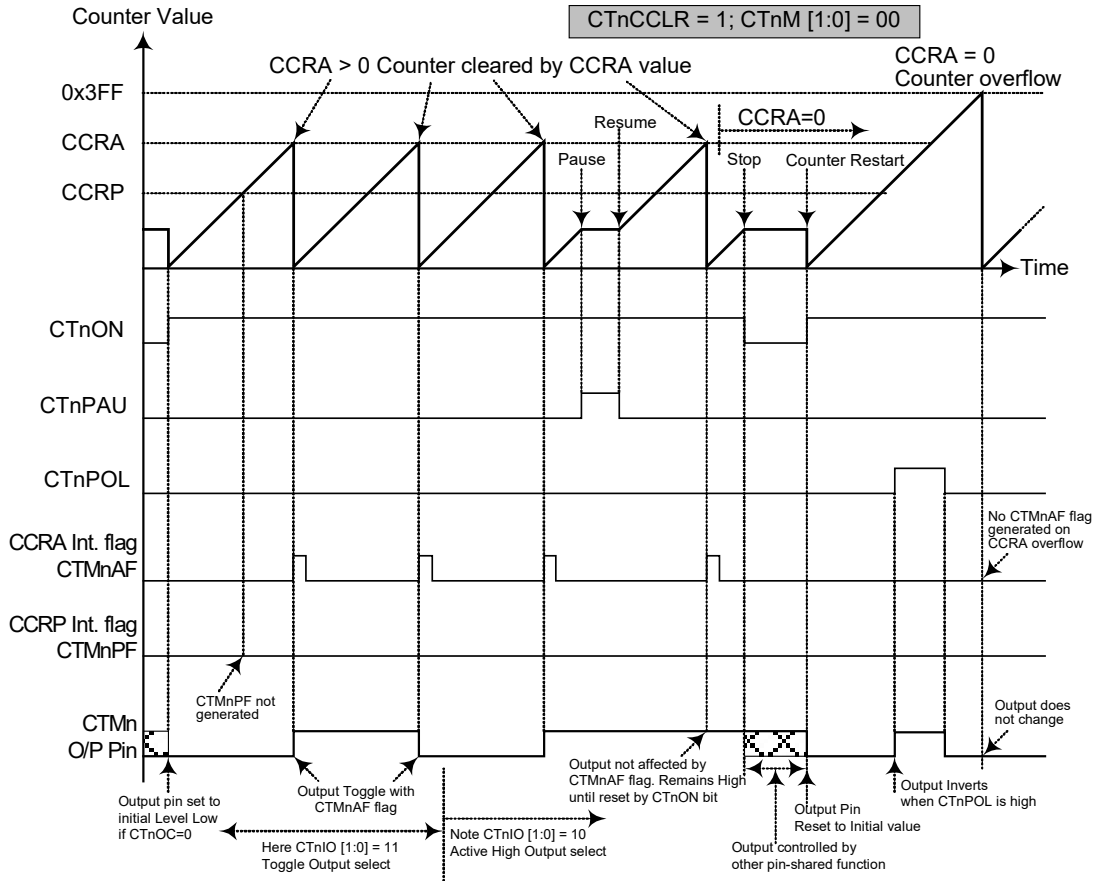
If the CTnCCLR bit in the CTMnC1 register is high then the counter will be cleared when a compare match occurs from Comparator A. However, here only the CTMnAF interrupt request flag will be generated even if the value of the CCRP bits is less than that of the CCRA registers. Therefore when CTnCCLR is high no CTMnPF interrupt request flag will be generated. If the CCRA bits are all zero, the counter will overflow when it reaches its maximum 10-bit, 3FF Hex, value, however here the CTMnAF interrupt request flag will not be generated.

As the name of the mode suggests, after a comparison is made, the CTMn output pin will change state. The CTMn output pin condition however only changes state when a CTMnAF interrupt request flag is generated after a compare match occurs from Comparator A. The CTMnPF interrupt request flag, generated from a compare match occurs from Comparator P, will have no effect on the CTMn output pin. The way in which the CTMn output pin changes state are determined by the condition of the CTnIO1 and CTnIO0 bits in the CTMnC1 register. The CTMn output pin can be selected using the CTnIO1 and CTnIO0 bits to go high, to go low or to toggle from its present condition when a compare match occurs from Comparator A. The initial condition of the CTMn output pin, which is setup after the CTnON bit changes from low to high, is setup using the CTnOC bit. Note that if the CTnIO1 and CTnIO0 bits are zero then no pin change will take place.



Compare Match Output Mode – CTnCCR=0

- Note: 1. With CTnCCR=0, a Comparator P match will clear the counter
 2. The CTMn output pin controlled only by CTMnAF flag
 3. The output pin is reset to its initial state by CTnON bit rising edge
 4. n=0 or 1



Compare Match Output Mode – CTnCCR=1

- Note: 1. With CTnCCR=1, a Comparator A match will clear the counter
 2. The CTMn output pin is controlled only by CTMnAF flag
 3. The CTMn output pin is reset to initial state by CTnON rising edge
 4. The CTMnPF flags is not generated when CTnCCR=1
 5. n=0 or 1

Timer/Counter Mode

To select this mode, bits CTnM1 and CTnM0 in the CTMnC1 register should be set to 11 respectively. The Timer/Counter Mode operates in an identical way to the Compare Match Output Mode generating the same interrupt flags. The exception is that in the Timer/Counter Mode the CTMn output pin is not used. Therefore the above description and Timing Diagrams for the Compare Match Output Mode can be used to understand its function. As the CTMn output pin is not used in this mode, the pin can be used as a normal I/O pin or other pin-shared function.

PWM Output Mode

To select this mode, bits CTnM1 and CTnM0 in the CTMnC1 register should be set to 10 respectively. The PWM function within the CTMn is useful for applications which require functions such as motor control, heating control, illumination control etc. By providing a signal of fixed frequency but of varying duty cycle on the CTMn output pin, a square wave AC waveform can be generated with varying equivalent DC RMS values.

As both the period and duty cycle of the PWM waveform can be controlled, the choice of generated waveform is extremely flexible. In the PWM mode, the CTnCCLR bit has no effect on the PWM operation. Both of the CCRA and CCRP registers are used to generate the PWM waveform, one register is used to clear the internal counter and thus control the PWM waveform frequency, while the other one is used to control the duty cycle. Which register is used to control either frequency or duty cycle is determined using the CTnDPX bit in the CTMnC1 register. The PWM waveform frequency and duty cycle can therefore be controlled by the values in the CCRA and CCRP registers.

An interrupt flag, one for each of the CCRA and CCRP, will be generated when a compare match occurs from either Comparator A or Comparator P. The CTnOC bit in the CTMnC1 register is used to select the required polarity of the PWM waveform while the two CTnIO1 and CTnIO0 bits are used to enable the PWM output or to force the TM output pin to a fixed high or low level. The CTnPOL bit is used to reverse the polarity of the PWM output waveform.

• **10-bit CTMn, PWM Mode, Edge-aligned Mode, CTnDPX=0**

CCRP	001b	010b	011b	100b	101b	110b	111b	000b
Period	128	256	384	512	640	768	896	1024
Duty	CCRA							

If $f_{SYS}=16\text{MHz}$, CTMn clock source is $f_{SYS}/4$, CCRP=2 and CCRA=128,

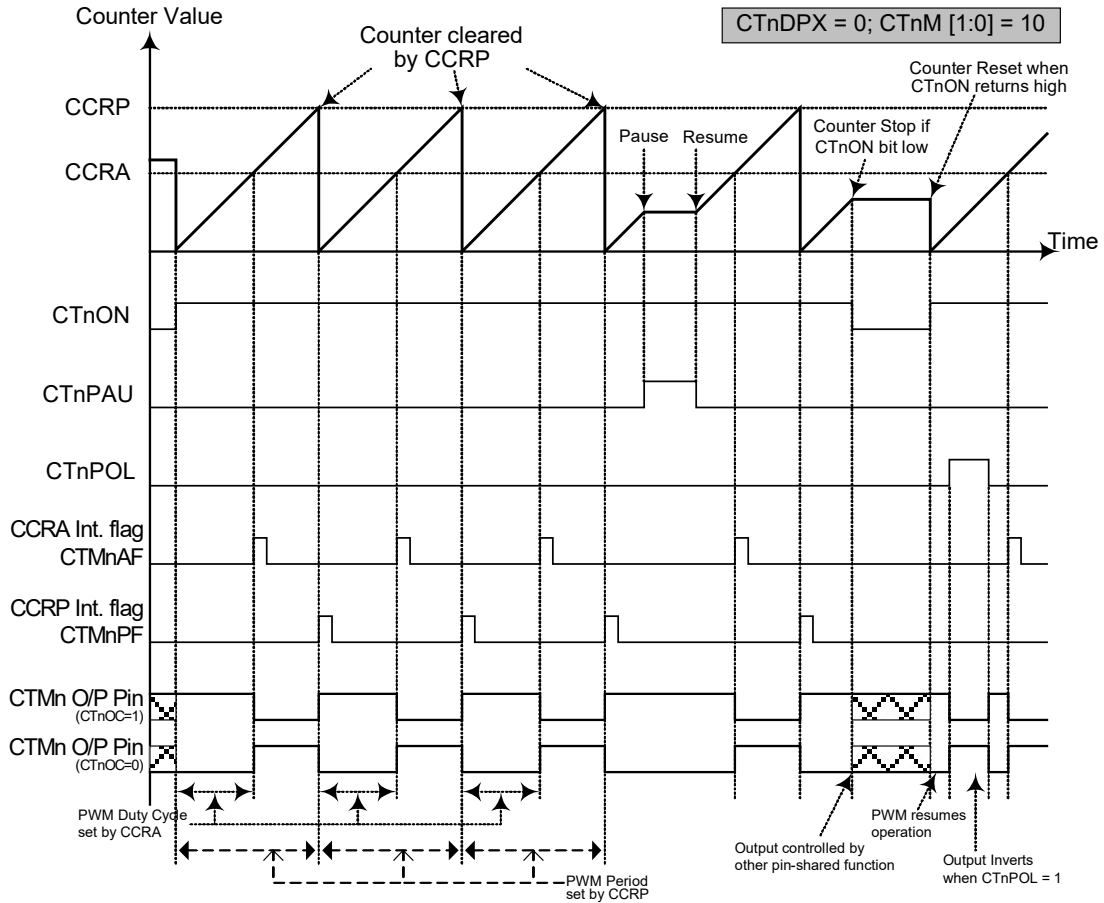
The CTMn PWM output frequency= $(f_{SYS}/4)/256=f_{SYS}/1024=15.625\text{kHz}$, duty=128/256=50%.

If the Duty value defined by the CCRA register is equal to or greater than the Period value, then the PWM output duty is 100%.

• **10-bit CTMn, PWM Mode, Edge-aligned Mode, CTnDPX=1**

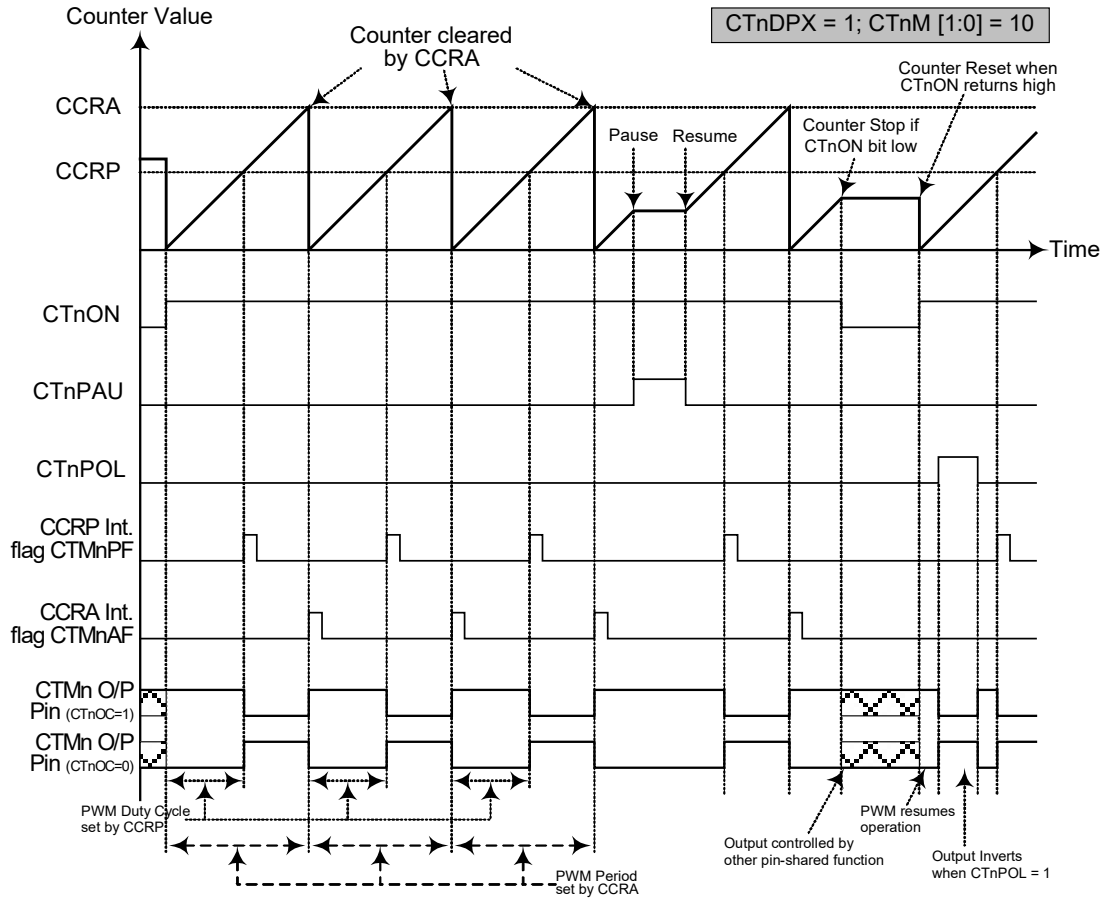
CCRP	001b	010b	011b	100b	101b	110b	111b	000b
Period	CCRA							
Duty	128	256	384	512	640	768	896	1024

The PWM output period is determined by the CCRA register value together with the CTMn clock while the PWM duty cycle is defined by the CCRP register value.



PWM Output Mode – CTnDXP=0

- Note: 1. Here CTnDPX=0 – Counter cleared by CCRP
 2. A counter clear sets PWM Period
 3. The internal PWM function continues even when CTnIO1, CTnIO0=00 or 01
 4. The CTnCCLR bit has no influence on PWM operation
 5. n=0 or 1



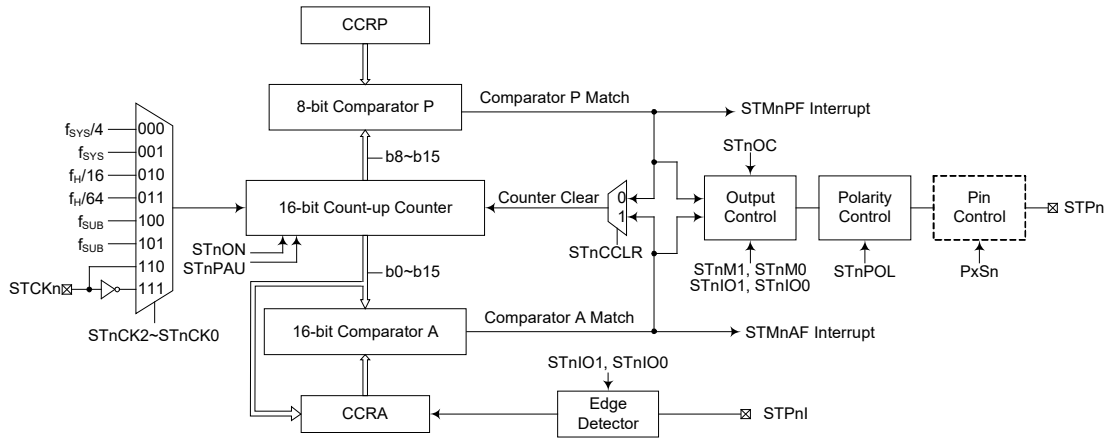
PWM Output Mode – CTnDXP=1

- Note: 1. Here CTnDPX=1 – Counter cleared by CCRA
 2. A counter clear sets PWM Period
 3. The internal PWM function continues even when CTnIO [1:0]=00 or 01
 4. The CTnCCLR bit has no influence on PWM operation
 5. n=0 or 1

Standard Type TM – STM

The Standard Type TM contains five operating modes, which are Compare Match Output, Timer/Event Counter, Capture Input, Single Pulse Output and PWM Output modes. The Standard TM can also be controlled with two external input pins and can drive one external output pin.

Device	STM Core	STM Input Pin	STM Output Pin
HT66FV130	—	—	—
HT66FV140	—	—	—
HT66FV150	—	—	—
HT66FV160	16-bit STM	STCK0, STP0I	STP0



Standard Type TM Block Diagram – HT66FV160 only (n=0)

Standard TM Operation

The size of Standard TM is 16-bit wide and its core is a 16-bit count-up counter which is driven by a user selectable internal or external clock source. There are also two internal comparators with the names, Comparator A and Comparator P. These comparators will compare the value in the counter with CCRP and CCRA registers. The CCRP comparator is 8-bit wide whose value is compared the with highest 8 bits in the counter while the CCRA is the sixteen bits and therefore compares all counter bits.

The only way of changing the value of the 16-bit counter using the application program, is to clear the counter by changing the STnON bit from low to high. The counter will also be cleared automatically by a counter overflow or a compare match with one of its associated comparators. When these conditions occur, a STM interrupt signal will also usually be generated. The Standard Type TM can operate in a number of different operational modes, can be driven by different clock sources including an input pin and can also control an output pin. All operating setup conditions are selected using relevant internal registers.

Standard Type TM Register Description

Overall operation of the Standard TM is controlled using a series of registers. A read only register pair exists to store the internal counter 16-bit value, while a read/write register pair exists to store the internal 16-bit CCRA value. The STMnRP register is used to store the 8-bit CCRP value. The remaining two registers are control registers which setup the different operating and control modes.

Name	Bit7	Bit6	Bit5	Bit4	Bit3	Bit2	Bit1	Bit0
STMnC0	STnPAU	STnCK2	STnCK1	STnCK0	STnON	—	—	—
STMnC1	STnM1	STnM0	STnIO1	STnIO0	STnOC	STnPOL	STnDPX	STnCCLR
STMnDL	D7	D6	D5	D4	D3	D2	D1	D0
STMnDH	D15	D14	D13	D12	D11	D10	D9	D8
STMnAL	D7	D6	D5	D4	D3	D2	D1	D0
STMnAH	D15	D14	D13	D12	D11	D10	D9	D8
STMnRP	STnRP7	STnRP6	STnRP5	STnRP4	STnRP3	STnRP2	STnRP1	STnRP0

16-bit Standard TM Registers List – n=0

STMnDL Register

Bit	7	6	5	4	3	2	1	0
Name	D7	D6	D5	D4	D3	D2	D1	D0
R/W	R	R	R	R	R	R	R	R
POR	0	0	0	0	0	0	0	0

Bit 7~0 STMn Counter Low Byte Register bit 7~bit 0
STMn 16-bit Counter bit 7~bit 0

STMnDH Register

Bit	7	6	5	4	3	2	1	0
Name	D15	D14	D13	D12	D11	D10	D9	D8
R/W	R	R	R	R	R	R	R	R
POR	0	0	0	0	0	0	0	0

Bit 7~0 STMn Counter High Byte Register bit 7~bit 0
STMn 16-bit Counter bit 15~bit 8

STMnAL Register

Bit	7	6	5	4	3	2	1	0
Name	D7	D6	D5	D4	D3	D2	D1	D0
R/W	R/W	R/W	R/W	R/W	R/W	R/W	R/W	R/W
POR	0	0	0	0	0	0	0	0

Bit 7~0 STMn CCRA Low Byte Register bit 7~bit 0
STMn 16-bit CCRA bit 7~bit 0

STMnAH Register

Bit	7	6	5	4	3	2	1	0
Name	D15	D14	D13	D12	D11	D10	D9	D8
R/W	R/W	R/W	R/W	R/W	R/W	R/W	R/W	R/W
POR	0	0	0	0	0	0	0	0

Bit 7~0 STMn CCRA High Byte Register bit 7~bit 0
STMn 16-bit CCRA bit 15~bit 8

STMnC0 Register

Bit	7	6	5	4	3	2	1	0
Name	STnPAU	STnCK2	STnCK1	STnCK0	STnON	—	—	—
R/W	R/W	R/W	R/W	R/W	R/W	—	—	—
POR	0	0	0	0	0	—	—	—

- Bit 7** **STnPAU:** STMn Counter Pause control
0: Run
1: Pause
The counter can be paused by setting this bit high. Clearing the bit to zero restores normal counter operation. When in a Pause condition the STMn will remain powered up and continue to consume power. The counter will retain its residual value when this bit changes from low to high and resume counting from this value when the bit changes to a low value again.
- Bit 6~4** **STnCK2~STnCK0:** Select STMn Counter clock
000: $f_{SYS}/4$
001: f_{SYS}
010: $f_H/16$
011: $f_H/64$
100: f_{SUB}
101: f_{SUB}
110: STCKn rising edge clock
111: STCKn falling edge clock
These three bits are used to select the clock source for the STMn. The external pin clock source can be chosen to be active on the rising or falling edge. The clock source f_{SYS} is the system clock, while f_H and f_{SUB} are other internal clocks, the details of which can be found in the oscillator section.
- Bit 3** **STnON:** STMn Counter On/Off control
0: Off
1: On
This bit controls the overall on/off function of the STMn. Setting the bit high enables the counter to run while clearing the bit disables the STMn. Clearing this bit to zero will stop the counter from counting and turn off the STMn which will reduce its power consumption. When the bit changes state from low to high the internal counter value will be reset to zero, however when the bit changes from high to low, the internal counter will retain its residual value until the bit returns high again. If the STMn is in the Compare Match Output Mode then the STMn output pin will be reset to its initial condition, as specified by the STnOC bit, when the STnON bit changes from low to high.
- Bit 2~0** Unimplemented, read as "0"

STMnC1 Register

Register Name	Bit							
	7	6	5	4	3	2	1	0
Name	STnM1	STnM0	STnIO1	STnIO0	STnOC	STnPOL	STnDPX	STnCCLR
R/W	R/W	R/W	R/W	R/W	R/W	R/W	R/W	R/W
POR	0	0	0	0	0	0	0	0

Bit 7~6 **STnM1~STnM0**: Select STMn Operating Mode
 00: Compare Match Output Mode
 01: Capture Input Mode
 10: PWM Mode or Single Pulse Output Mode
 11: Timer/Counter Mode

These bits setup the required operating mode for the STMn. To ensure reliable operation the STMn should be switched off before any changes are made to the STnM1 and STnM0 bits. In the Timer/Counter Mode, the STMn output pin control will be disabled.

Bit 5~4 **STnIO1~STnIO0**: Select STMn external pin (STPn or STPnI) function

Compare Match Output Mode

- 00: No change
- 01: Output low
- 10: Output high
- 11: Toggle output

PWM Output Mode/Single Pulse Output Mode

- 00: PWM output inactive state
- 01: PWM output active state
- 10: PWM output
- 11: Single Pulse Output

Capture Input Mode

- 00: Input capture at rising edge of STPnI
- 01: Input capture at falling edge of STPnI
- 10: Input capture at rising/falling edge of STPnI
- 11: Input capture disabled

Timer/Counter Mode

Unused

These two bits are used to determine how the STMn output pin changes state when a certain condition is reached. The function that these bits select depends upon in which mode the STMn is running.

In the Compare Match Output Mode, the STnIO1 and STnIO0 bits determine how the STMn output pin changes state when a compare match occurs from the Comparator A. The TM output pin can be setup to switch high, switch low or to toggle its present state when a compare match occurs from the Comparator A. When the bits are both zero, then no change will take place on the output. The initial value of the STMn output pin should be setup using the STnOC bit in the STnMC1 register. Note that the output level requested by the STnIO1 and STnIO0 bits must be different from the initial value setup using the STnOC bit otherwise no change will occur on the STMn output pin when a compare match occurs. After the STMn output pin changes state, it can be reset to its initial level by changing the level of the STnON bit from low to high.

In the PWM Mode, the STnIO1 and STnIO0 bits determine how the STMn output pin changes state when a certain compare match condition occurs. The PWM output function is modified by changing these two bits. It is necessary to only change the values of the STnIO1 and STnIO0 bits only after the STMn has been switched off. Unpredictable PWM outputs will occur if the STnIO1 and STnIO0 bits are changed when the STMn is running.

- Bit 3 **STnOC**: STMn STPn Output control
 Compare Match Output Mode
 0: Initial low
 1: Initial high
 PWM Output Mode/Single Pulse Output Mode
 0: Active low
 1: Active high
 This is the output control bit for the STMn output pin. Its operation depends upon whether STMn is being used in the Compare Match Output Mode or in the PWM Mode/Single Pulse Output Mode. It has no effect if the STMn is in the Timer/Counter Mode. In the Compare Match Output Mode it determines the logic level of the STMn output pin before a compare match occurs. In the PWM Mode/Single Pulse Output Mode it determines if the PWM signal is active high or active low.
- Bit 2 **STnPOL**: STMn STPn Output polarity control
 0: Non-inverted
 1: Inverted
 This bit controls the polarity of the STPn output pin. When the bit is set high the STMn output pin will be inverted and not inverted when the bit is zero. It has no effect if the STMn is in the Timer/Counter Mode.
- Bit 1 **STnDPX**: STMn PWM duty/period control
 0: CCRP – period; CCRA – duty
 1: CCRP – duty; CCRA – period
 This bit determines which of the CCRA and CCRP registers are used for period and duty control of the PWM waveform.
- Bit 0 **STnCCLR**: STMn Counter Clear condition selection
 0: Comparator P match
 1: Comparator A match
 This bit is used to select the method which clears the counter. Remember that the Standard TM contains two comparators, Comparator A and Comparator P, either of which can be selected to clear the internal counter. With the STnCCLR bit set high, the counter will be cleared when a compare match occurs from the Comparator A. When the bit is low, the counter will be cleared when a compare match occurs from the Comparator P or with a counter overflow. A counter overflow clearing method can only be implemented if the CCRP bits are all cleared to zero. The STnCCLR bit is not used in the PWM Output, Single Pulse Output or Capture Input Mode.

STMnRP Register

Register Name	Bit							
	7	6	5	4	3	2	1	0
Name	STnRP7	STnRP6	STnRP5	STnRP4	STnRP3	STnRP2	STnRP1	STnRP0
R/W	R/W	R/W	R/W	R/W	R/W	R/W	R/W	R/W
POR	0	0	0	0	0	0	0	0

- Bit 7~0 **STnRP7~STnRP0**: STMn CCRP 8-bit register, compared with the STMn counter bit 15~bit 8
 Comparator P match period =
 0: 65536 STMn clocks
 1~255: (1~255) x 256 STMn clocks
 These eight bits are used to setup the value on the internal CCRP 8-bit register, which are then compared with the internal counter's highest eight bits. The result of this comparison can be selected to clear the internal counter if the STnCCLR bit is set to zero. Setting the STnCCLR bit to zero ensures that a compare match with the CCRP values will reset the internal counter. As the CCRP bits are only compared with the highest eight counter bits, the compare values exist in 256 clock cycle multiples. Clearing all eight bits to zero is in effect allowing the counter to overflow at its maximum value.

Standard Type TM Operation Modes

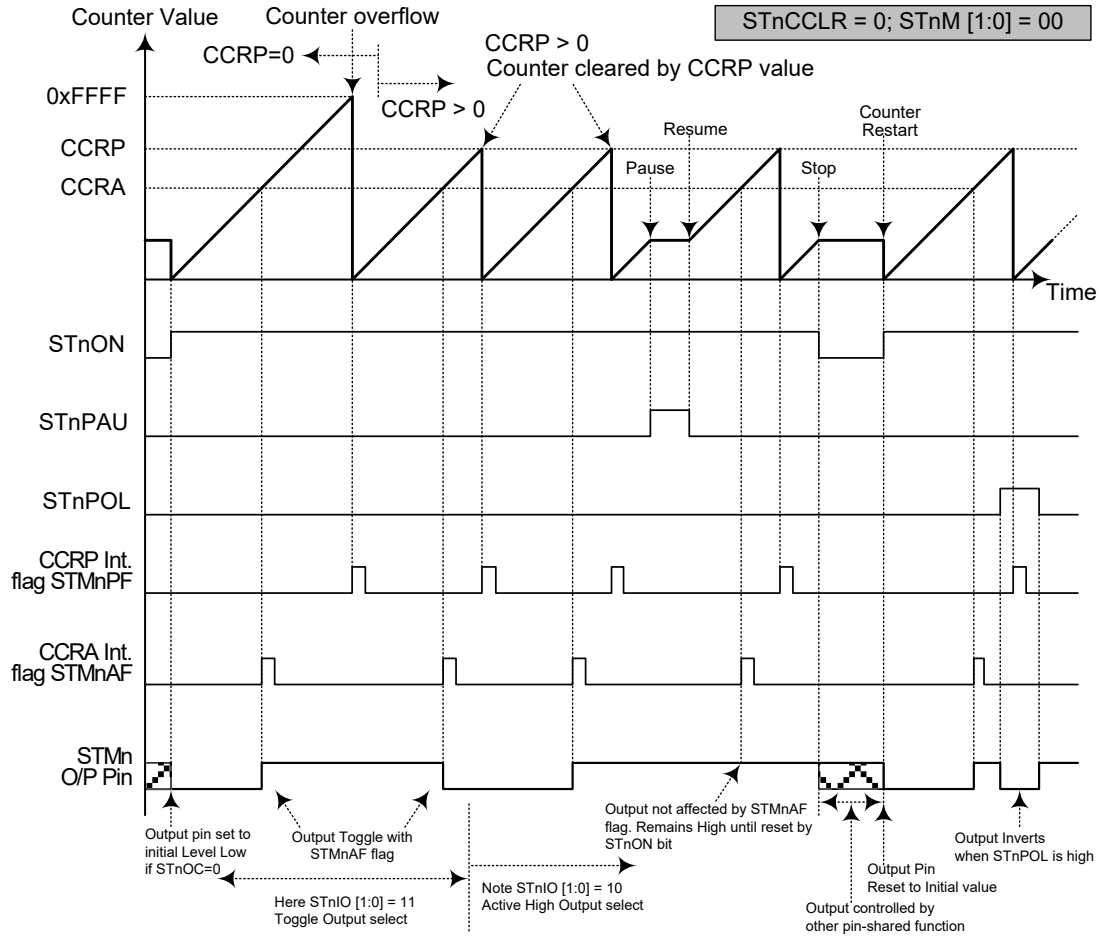
The Standard Type TM can operate in one of five operating modes, Compare Match Output Mode, PWM Output Mode, Single Pulse Output Mode, Capture Input Mode or Timer/Counter Mode. The operating mode is selected using the STnM1 and STnM0 bits in the STMnC1 register.

Compare Match Output Mode

To select this mode, bits STnM1 and STnM0 in the STMnC1 register, should be set to 00 respectively. In this mode once the counter is enabled and running it can be cleared by three methods. These are a counter overflow, a compare match from Comparator A and a compare match from Comparator P. When the STnCCLR bit is low, there are two ways in which the counter can be cleared. One is when a compare match from Comparator P, the other is when the CCRP bits are all zero which allows the counter to overflow. Here both STMnAF and STMnPF interrupt request flags for Comparator A and Comparator P respectively, will both be generated.

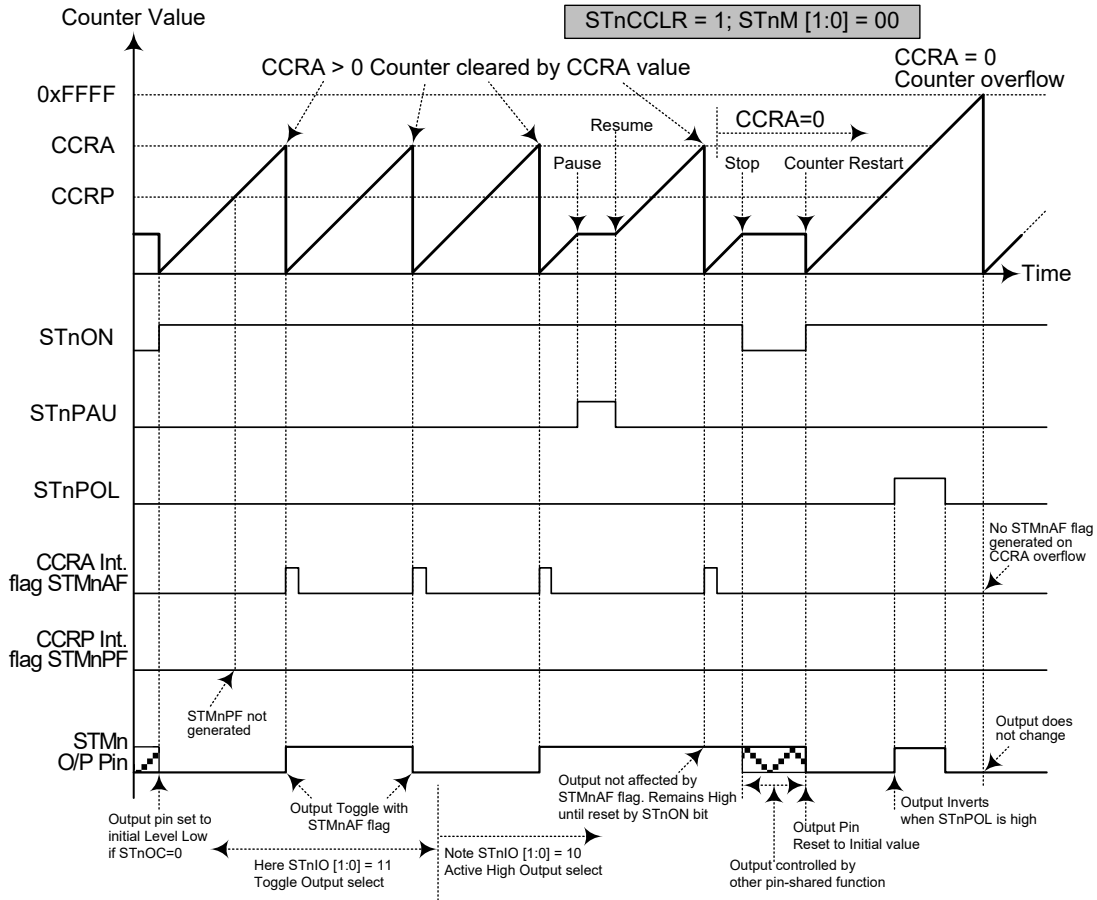
If the STnCCLR bit in the STMnC1 register is high then the counter will be cleared when a compare match occurs from Comparator A. However, here only the STMnAF interrupt request flag will be generated even if the value of the CCRP bits is less than that of the CCRA registers. Therefore when STnCCLR is high no STMnPF interrupt request flag will be generated. In the Compare Match Output Mode, the CCRA can not be set to "0".

As the name of the mode suggests, after a comparison is made, the STMn output pin, will change state. The STMn output pin condition however only changes state when a STMnAF interrupt request flag is generated after a compare match occurs from Comparator A. The STMnPF interrupt request flag, generated from a compare match occurs from Comparator P, will have no effect on the STMn output pin. The way in which the STMn output pin changes state are determined by the condition of the STnIO1 and STnIO0 bits in the STMnC1 register. The STMn output pin can be selected using the STnIO1 and STnIO0 bits to go high, to go low or to toggle from its present condition when a compare match occurs from Comparator A. The initial condition of the STMn output pin, which is setup after the STnON bit changes from low to high, is setup using the STnOC bit. Note that if the STnIO1 and STnIO0 bits are zero then no pin change will take place.



Compare Match Output Mode – STnCCLR=0

- Note: 1. With STnCCLR=0 a Comparator P match will clear the counter
2. The STMn output pin is controlled only by the STMnAF flag
3. The output pin is reset to its initial state by a STnON bit rising edge
4. n=0



Compare Match Output Mode – STnCCLR=1

- Note: 1. With STnCCLR=1 a Comparator A match will clear the counter
2. The STMn output pin is controlled only by the STMnAF flag
3. The output pin is reset to its initial state by a STnON bit rising edge
4. A STMnPF flag is not generated when STnCCLR=1
5. n=0

Timer/Counter Mode

To select this mode, bits STnM1 and STnM0 in the STMnC1 register should be set to 11 respectively. The Timer/Counter Mode operates in an identical way to the Compare Match Output Mode generating the same interrupt flags. The exception is that in the Timer/Counter Mode the STMn output pin is not used. Therefore the above description and Timing Diagrams for the Compare Match Output Mode can be used to understand its function. As the STMn output pin is not used in this mode, the pin can be used as a normal I/O pin or other pin-shared function.

PWM Output Mode

To select this mode, bits STnM1 and STnM0 in the STMnC1 register should be set to 10 respectively and also the STnIO1 and STnIO0 bits should be set to 10 respectively. The PWM function within the STMn is useful for applications which require functions such as motor control, heating control, illumination control etc. By providing a signal of fixed frequency but of varying duty cycle on the STMn output pin, a square wave AC waveform can be generated with varying equivalent DC RMS values.

As both the period and duty cycle of the PWM waveform can be controlled, the choice of generated waveform is extremely flexible. In the PWM mode, the STnCCLR bit has no effect as the PWM period. Both of the CCRA and CCRP registers are used to generate the PWM waveform, one register is used to clear the internal counter and thus control the PWM waveform frequency, while the other one is used to control the duty cycle. Which register is used to control either frequency or duty cycle is determined using the STnDPX bit in the STMnC1 register. The PWM waveform frequency and duty cycle can therefore be controlled by the values in the CCRA and CCRP registers.

An interrupt flag, one for each of the CCRA and CCRP, will be generated when a compare match occurs from either Comparator A or Comparator P. The STnOC bit in the STMnC1 register is used to select the required polarity of the PWM waveform while the two STnIO1 and STnIO0 bits are used to enable the PWM output or to force the STMn output pin to a fixed high or low level. The STnPOL bit is used to reverse the polarity of the PWM output waveform.

- **16-bit STMn, PWM Mode, Edge-aligned Mode, STnDPX=0**

CCRP	1~255	0
Period	CCRPx256	65536
Duty	CCRA	

If $f_{SYS}=16\text{MHz}$, STMn clock source is $f_{SYS}/4$, CCRP=2 and CCRA=128,

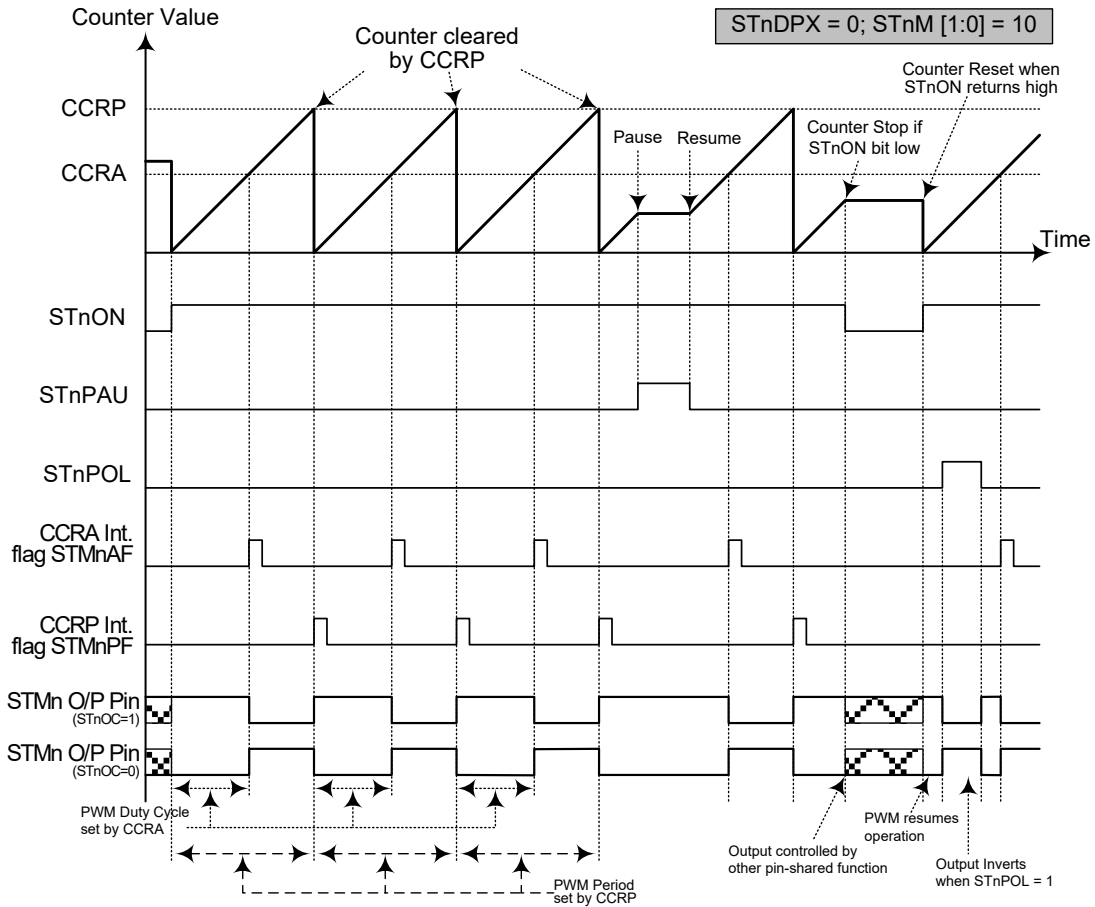
The STMn PWM output frequency= $(f_{SYS}/4) / (2 \times 256) = f_{SYS}/2048 = 7.8125 \text{ kHz}$, duty= $128/(2 \times 256) = 25\%$.

If the Duty value defined by the CCRA register is equal to or greater than the Period value, then the PWM output duty is 100%.

- **16-bit STMn, PWM Mode, Edge-aligned Mode, STnDPX=1**

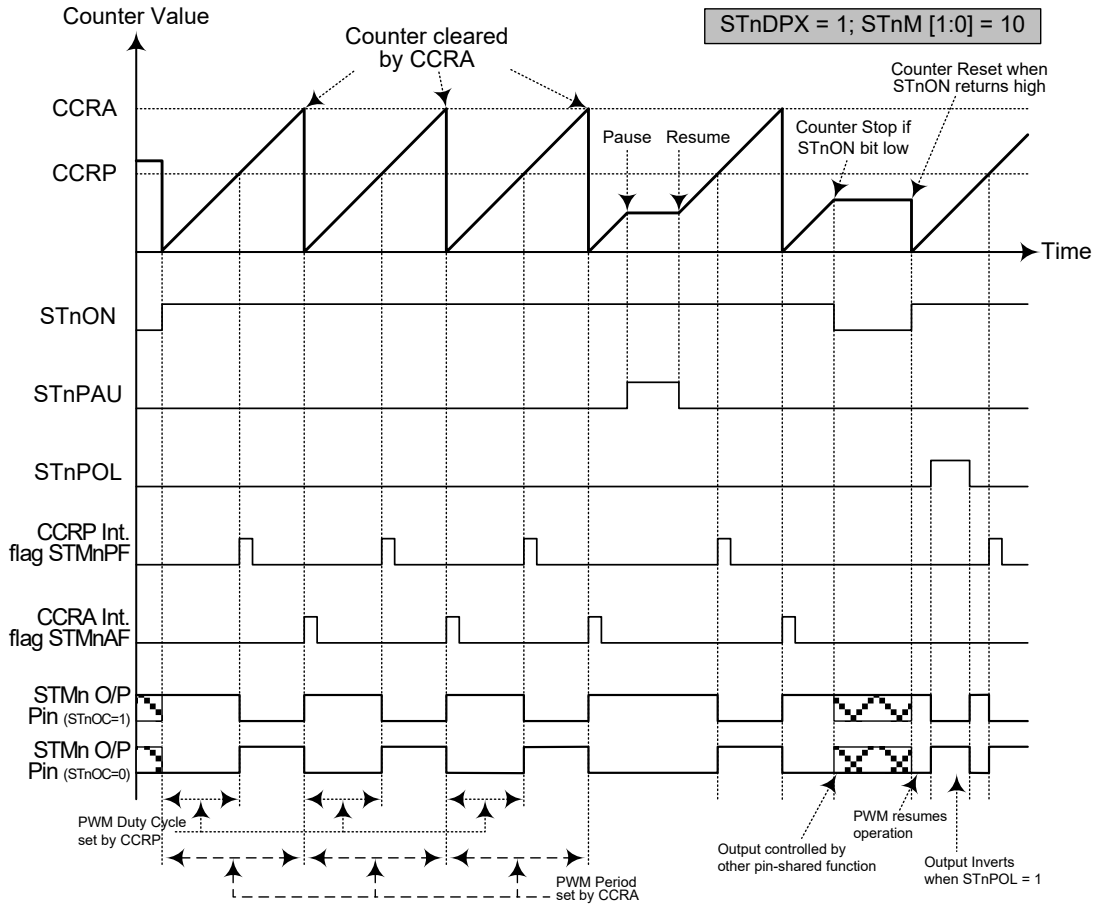
CCRP	1~255	0
Period	CCRA	
Duty	CCRPx256	65536

The PWM output period is determined by the CCRA register value together with the TM clock while the PWM duty cycle is defined by the CCRP register value except when the CCRP value is equal to 0.



PWM Output Mode – STnDXP=0

- Note: 1. Here STnDPX=0 – Counter cleared by CCRP
 2. A counter clear sets the PWM Period
 3. The internal PWM function continues running even when STnIO [1:0]=00 or 01
 4. The STnCCLR bit has no influence on PWM operation
 5. n=0



PWM Output Mode – STnDXP=1

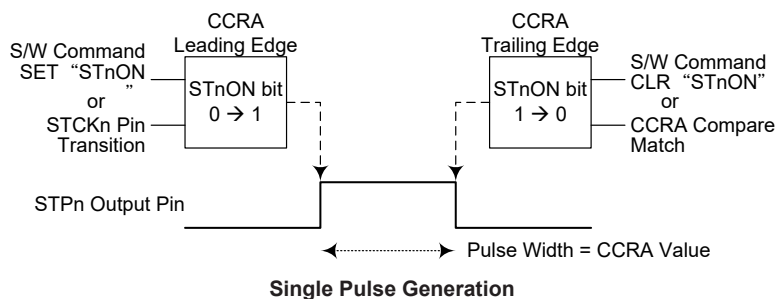
- Note: 1. Here STnDPX=1 – Counter cleared by CCRA
 2. A counter clear sets the PWM Period
 3. The internal PWM function continues even when STnIO [1:0]=00 or 01
 4. The STnCCLR bit has no influence on PWM operation
 5. n=0

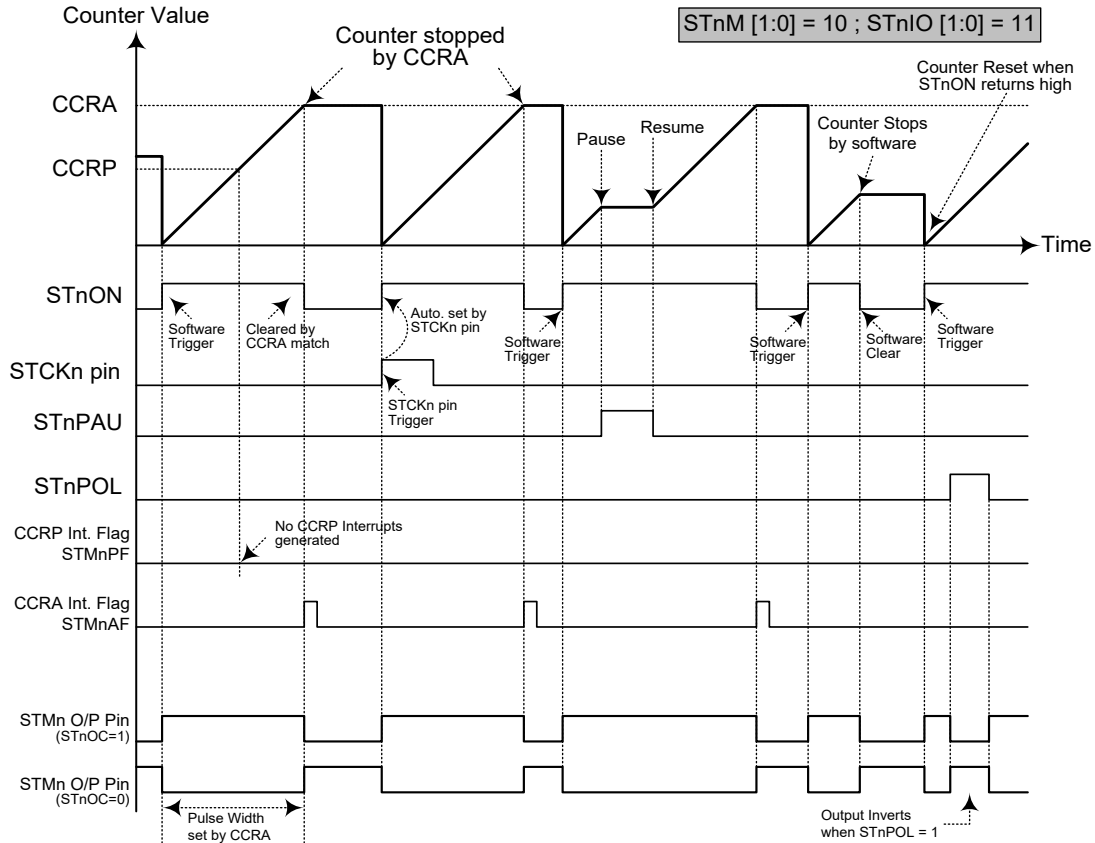
Single Pulse Output Mode

To select this mode, bits STnM1 and STnM0 in the STMnC1 register should be set to 10 respectively and also the STnIO1 and STnIO0 bits should be set to 11 respectively. The Single Pulse Output Mode, as the name suggests, will generate a single shot pulse on the STMn output pin.

The trigger for the pulse output leading edge is a low to high transition of the STnON bit, which can be implemented using the application program. However in the Single Pulse Mode, the STnON bit can also be made to automatically change from low to high using the external STCKn pin, which will in turn initiate the Single Pulse output. When the STnON bit transitions to a high level, the counter will start running and the pulse leading edge will be generated. The STnON bit should remain high when the pulse is in its active state. The generated pulse trailing edge will be generated when the STnON bit is cleared to zero, which can be implemented using the application program or when a compare match occurs from Comparator A.

However a compare match from Comparator A will also automatically clear the STnON bit and thus generate the Single Pulse output trailing edge. In this way the CCRA value can be used to control the pulse width. A compare match from Comparator A will also generate a STMn interrupt. The counter can only be reset back to zero when the STnON bit changes from low to high when the counter restarts. In the Single Pulse Mode CCRP is not used. The STnCCLR and STnDPX bits are not used in this Mode.





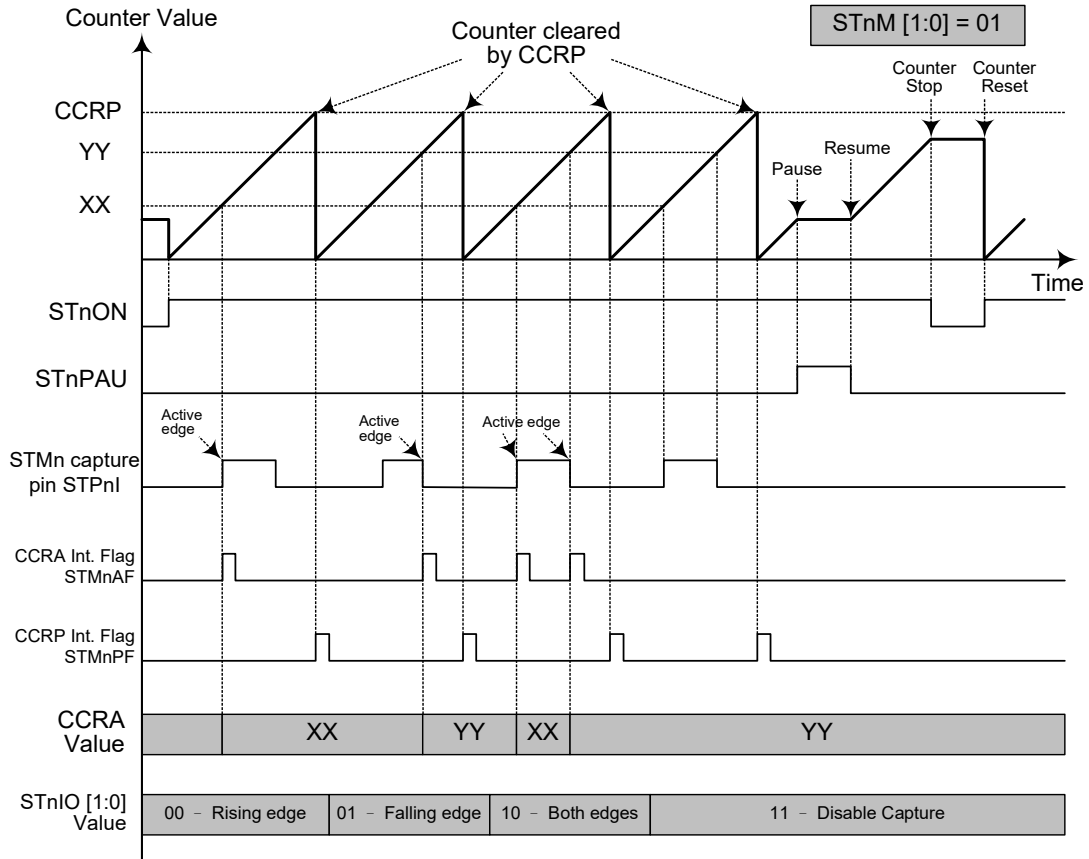
Single Pulse Mode

- Note:
1. Counter stopped by CCRA
 2. CCRP is not used
 3. The pulse triggered by the STCKn pin or by setting the STnON bit high
 4. A STCKn pin active edge will automatically set the STnON bit high.
 5. In the Single Pulse Mode, STnIO [1:0] must be set to "11" and can not be changed.
 6. n=0

Capture Input Mode

To select this mode bits STnM1 and STnM0 in the STMnC1 register should be set to 01 respectively. This mode enables external signals to capture and store the present value of the internal counter and can therefore be used for applications such as pulse width measurements. The external signal is supplied on the STPnI pin, whose active edge can be a rising edge, a falling edge or both rising and falling edges; the active edge transition type is selected using the STnIO1 and STnIO0 bits in the STMnC1 register. The counter is started when the STnON bit changes from low to high which is initiated using the application program.

When the required edge transition appears on the STPnI pin the present value in the counter will be latched into the CCRA registers and a STMn interrupt generated. Irrespective of what events occur on the STPnI pin the counter will continue to free run until the STnON bit changes from high to low. When a CCRP compare match occurs the counter will reset back to zero; in this way the CCRP value can be used to control the maximum counter value. When a CCRP compare match occurs from Comparator P, a STMn interrupt will also be generated. Counting the number of overflow interrupt signals from the CCRP can be a useful method in measuring long pulse widths. The STnIO1 and STnIO0 bits can select the active trigger edge on the STPnI pin to be a rising edge, falling edge or both edge types. If the STnIO1 and STnIO0 bits are both set high, then no capture operation will take place irrespective of what happens on the STPnI pin, however it must be noted that the counter will continue to run. The STnCCLR and STnDPX bits are not used in this Mode.



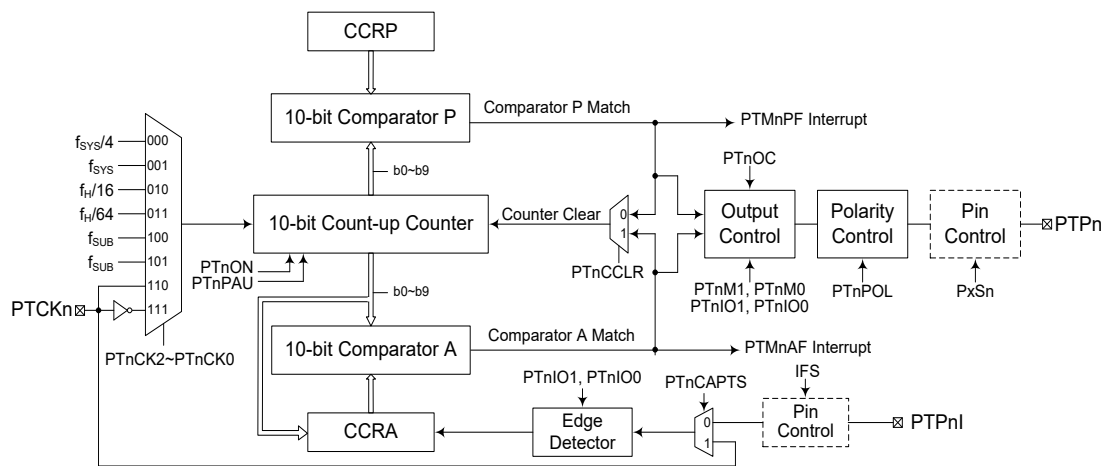
Capture Input Mode

- Note: 1. STnM [1:0]=01 and active edge set by the STnIO [1:0] bits
2. A STMn Capture input pin active edge transfers the counter value to CCRA
 3. STnCCLR bit not used
 4. No output function -- STnOC and STnPOL bits are not used
 5. CCRP determines the counter value and the counter has a maximum count value when CCRP is equal to zero.
 6. n=0

Periodic Type TM – PTM

The Periodic Type TM contains five operating modes, which are Compare Match Output, Timer/Event Counter, Capture Input, Single Pulse Output and PWM Output modes. The Periodic TM can also be controlled with two external input pins and can drive one external output pin.

Device	PTM Core	PTM Input Pin	PTM Output Pin	Note
HT66FV130	10-bit PTM (PTM0)	PTCK0, PTP0I	PTP0	n=0
HT66FV140	10-bit PTM (PTM0, PTM1)	PTCK0, PTP0I PTCK1, PTP1I	PTP0, PTP1	n=0~1
HT66FV150	10-bit PTM (PTM0, PTM1)	PTCK0, PTP0I PTCK1, PTP1I	PTP0, PTP1	n=0~1
HT66FV160	10-bit PTM (PTM0, PTM1)	PTCK0, PTP0I PTCK1, PTP1I	PTP0, PTP1	n=0~1



Periodic Type TM Block Diagram – n=0 or 1

Periodic TM Operation

The size of Periodic TM is 10-bit wide and its core is a 10-bit count-up counter which is driven by a user selectable internal or external clock source. There are also two internal comparators with the names, Comparator A and Comparator P. These comparators will compare the value in the counter with CCRP and CCRA registers. The CCRP and CCRA comparators are 10-bit wide whose value is respectively compared with all counter bits.

The only way of changing the value of the 10-bit counter using the application program is to clear the counter by changing the PTnON bit from low to high. The counter will also be cleared automatically by a counter overflow or a compare match with one of its associated comparators. When these conditions occur, a PTM interrupt signal will also usually be generated. The Periodic Type TM can operate in a number of different operational modes, can be driven by different clock sources including an input pin and can also control the output pins. All operating setup conditions are selected using relevant internal registers.

Periodic Type TM Register Description

Overall operation of the Periodic TM is controlled using a series of registers. A read only register pair exists to store the internal counter 10-bit value, while two read/write register pairs exist to store the internal 10-bit CCRA and CCRP value. The remaining two registers are control registers which setup the different operating and control modes.

Register Name	Bit 7	Bit 6	Bit 5	Bit 4	Bit 3	Bit 2	Bit 1	Bit 0
PTMnC0	PTnPAU	PTnCK2	PTnCK1	PTnCK0	PTnON	—	—	—
PTMnC1	PTnM1	PTnM0	PTnIO1	PTnIO0	PTnOC	PTnPOL	PTnCAPTS	PTnCCLR
PTMnDL	D7	D6	D5	D4	D3	D2	D1	D0
PTMnDH	—	—	—	—	—	—	D9	D8
PTMnAL	D7	D6	D5	D4	D3	D2	D1	D0
PTMnAH	—	—	—	—	—	—	D9	D8
PTMnRPL	PTnRP7	PTnRP6	PTnRP5	PTnRP4	PTnRP3	PTnRP2	PTnRP1	PTnRP0
PTMnRPH	—	—	—	—	—	—	PTnRP9	PTnRP8

Periodic TM Registers List – n=0 or 1

PTMnDL Register

Bit	7	6	5	4	3	2	1	0
Name	D7	D6	D5	D4	D3	D2	D1	D0
R/W	R	R	R	R	R	R	R	R
POR	0	0	0	0	0	0	0	0

Bit 7~0 PTMn Counter Low Byte Register bit 7~bit 0
 PTMn 10-bit Counter bit 7~bit 0

PTMnDH Register

Bit	7	6	5	4	3	2	1	0
Name	—	—	—	—	—	—	D9	D8
R/W	—	—	—	—	—	—	R	R
POR	—	—	—	—	—	—	0	0

Bit 7~2 Unimplemented, read as "0"
 Bit 1~0 PTMn Counter High Byte Register bit 1~bit 0
 PTMn 10-bit Counter bit 9~bit 8

PTMnAL Register

Bit	7	6	5	4	3	2	1	0
Name	D7	D6	D5	D4	D3	D2	D1	D0
R/W	R/W	R/W	R/W	R/W	R/W	R/W	R/W	R/W
POR	0	0	0	0	0	0	0	0

Bit 7~0 PTMn CCRA Low Byte Register bit 7~bit 0
 PTMn 10-bit CCRA bit 7~bit 0

PTMnAH Register

Bit	7	6	5	4	3	2	1	0
Name	—	—	—	—	—	—	D9	D8
R/W	—	—	—	—	—	—	R/W	R/W
POR	—	—	—	—	—	—	0	0

- Bit 7~2 Unimplemented, read as "0"
 Bit 1~0 PTMn CCRA High Byte Register bit 1~bit 0
 PTMn 10-bit CCRA bit 9~bit 8

PTMnRPL Register

Bit	7	6	5	4	3	2	1	0
Name	PTnRP7	PTnRP6	PTnRP5	PTnRP4	PTnRP3	PTnRP2	PTnRP1	PTnRP0
R/W	R/W	R/W	R/W	R/W	R/W	R/W	R/W	R/W
POR	0	0	0	0	0	0	0	0

- Bit 7~0 **PTnRP7~PTnRP0**: PTMn CCRP Low Byte Register bit 7~bit 0
 PTMn 10-bit CCRP bit 7~bit 0

PTMnRPH Register

Bit	7	6	5	4	3	2	1	0
Name	—	—	—	—	—	—	PTnRP9	PTnRP8
R/W	—	—	—	—	—	—	R/W	R/W
POR	—	—	—	—	—	—	0	0

- Bit 7~2 Unimplemented, read as "0"
 Bit 1~0 **PTnRP9~PTnRP8**: PTMn CCRP High Byte Register bit 1~bit 0
 PTMn 10-bit CCRP bit 9~bit 8

PTMnC0 Register

Bit	7	6	5	4	3	2	1	0
Name	PTnPAU	PTnCK2	PTnCK1	PTnCK0	PTnON	—	—	—
R/W	R/W	R/W	R/W	R/W	R/W	—	—	—
POR	0	0	0	0	0	—	—	—

- Bit 7 **PTnPAU**: PTMn Counter Pause control
 0: Run
 1: Pause
 The counter can be paused by setting this bit high. Clearing the bit to zero restores normal counter operation. When in a Pause condition the PTMn will remain powered up and continue to consume power. The counter will retain its residual value when this bit changes from low to high and resume counting from this value when the bit changes to a low value again.
- Bit 6~4 **PTnCK2~PTnCK0**: Select PTMn Counter clock
 000: $f_{SYS}/4$
 001: f_{SYS}
 010: $f_H/16$
 011: $f_H/64$
 100: f_{SUB}
 101: f_{SUB}
 110: PTCKn rising edge clock
 111: PTCKn falling edge clock
 These three bits are used to select the clock source for the PTMn. The external pin clock source can be chosen to be active on the rising or falling edge. The clock source f_{SYS} is the system clock, while f_H and f_{SUB} are other internal clocks, the details of which can be found in the oscillator section.

Bit 3 **PTnON**: PTMn Counter On/Off control
 0: Off
 1: On

This bit controls the overall on/off function of the PTMn. Setting the bit high enables the counter to run while clearing the bit disables the PTMn. Clearing this bit to zero will stop the counter from counting and turn off the PTMn which will reduce its power consumption. When the bit changes state from low to high the internal counter value will be reset to zero, however when the bit changes from high to low, the internal counter will retain its residual value until the bit returns high again. If the PTMn is in the Compare Match Output Mode then the PTMn output pin will be reset to its initial condition, as specified by the PTnOC bit, when the PTnON bit changes from low to high.

Bit 2~0 Unimplemented, read as "0"

PTMnC1 Register

Bit	7	6	5	4	3	2	1	0
Name	PTnM1	PTnM0	PTnIO1	PTnIO0	PTnOC	PTnPOL	PTnCAPTS	PTnCCLR
R/W	R/W	R/W	R/W	R/W	R/W	R/W	R/W	R/W
POR	0	0	0	0	0	0	0	0

Bit 7~6 **PTnM1~PTnM0**: Select PTMn Operating Mode
 00: Compare Match Output Mode
 01: Capture Input Mode
 10: PWM Mode or Single Pulse Output Mode
 11: Timer/Counter Mode

These bits setup the required operating mode for the PTMn. To ensure reliable operation the PTMn should be switched off before any changes are made to the PTnM1 and PTnM0 bits. In the Timer/Counter Mode, the PTMn output pin control will be disabled.

Bit 5~4 **PTnIO1~PTnIO0**: Select PTMn external pin PTPn, PTPnI or PTCKn function

Compare Match Output Mode

- 00: No change
- 01: Output low
- 10: Output high
- 11: Toggle output

PWM Output Mode/Single Pulse Output Mode

- 00: PWM output inactive state
- 01: PWM output active state
- 10: PWM output
- 11: Single Pulse Output

Capture Input Mode

- 00: Input capture at rising edge of PTPnI or PTCKn
- 01: Input capture at falling edge of PTPnI or PTCKn
- 10: Input capture at rising/falling edge of PTPnI or PTCKn
- 11: Input capture disabled

Timer/Counter Mode

Unused

These two bits are used to determine how the PTMn output pin changes state when a certain condition is reached. The function that these bits select depends upon in which mode the PTMn is running.

In the Compare Match Output Mode, the PTnIO1 and PTnIO0 bits determine how the PTMn output pin changes state when a compare match occurs from the Comparator A. The PTMn output pin can be setup to switch high, switch low or to toggle its present state when a compare match occurs from the Comparator A. When the bits are both zero, then no change will take place on the output. The initial value of the PTMn

output pin should be setup using the PTnOC bit in the PTMnC1 register. Note that the output level requested by the PTnIO1 and PTnIO0 bits must be different from the initial value setup using the PTnOC bit otherwise no change will occur on the PTMn output pin when a compare match occurs. After the PTMn output pin changes state, it can be reset to its initial level by changing the level of the PTnON bit from low to high.

In the PWM Mode, the PTnIO1 and PTnIO0 bits determine how the TM output pin changes state when a certain compare match condition occurs. The PTMn output function is modified by changing these two bits. It is necessary to only change the values of the PTnIO1 and PTnIO0 bits only after the PTMn has been switched off. Unpredictable PWM outputs will occur if the PTnIO1 and PTnIO0 bits are changed when the PTMn is running.

Bit 3 **PTnOC**: PTMn PTPn Output control

Compare Match Output Mode

0: Initial low

1: Initial high

PWM Output Mode/Single Pulse Output Mode

0: Active low

1: Active high

This is the output control bit for the PTMn output pin. Its operation depends upon whether PTMn is being used in the Compare Match Output Mode or in the PWM Mode/Single Pulse Output Mode. It has no effect if the PTMn is in the Timer/Counter Mode. In the Compare Match Output Mode it determines the logic level of the PTMn output pin before a compare match occurs. In the PWM Mode/Single Pulse Output Mode it determines if the PWM signal is active high or active low.

Bit 2 **PTnPOL**: PTMn PTPn Output polarity control

0: Non-inverted

1: Inverted

This bit controls the polarity of the PTPn output pin. When the bit is set high the PTMn output pin will be inverted and not inverted when the bit is zero. It has no effect if the PTMn is in the Timer/Counter Mode.

Bit 1 **PTnCAPTS**: PTMn Capture Trigger Source selection

0: From PTPnI pin

1: From PTCKn pin

Bit 0 **PTnCCLR**: PTMn Counter Clear condition selection

0: Comparator P match

1: Comparator A match

This bit is used to select the method which clears the counter. Remember that the Periodic TM contains two comparators, Comparator A and Comparator P, either of which can be selected to clear the internal counter. With the PTnCCLR bit set high, the counter will be cleared when a compare match occurs from the Comparator A. When the bit is low, the counter will be cleared when a compare match occurs from the Comparator P or with a counter overflow. A counter overflow clearing method can only be implemented if the CCRP bits are all cleared to zero. The PTnCCLR bit is not used in the PWM Output, Single Pulse Output or Capture Input Mode.

Periodic Type TM Operation Modes

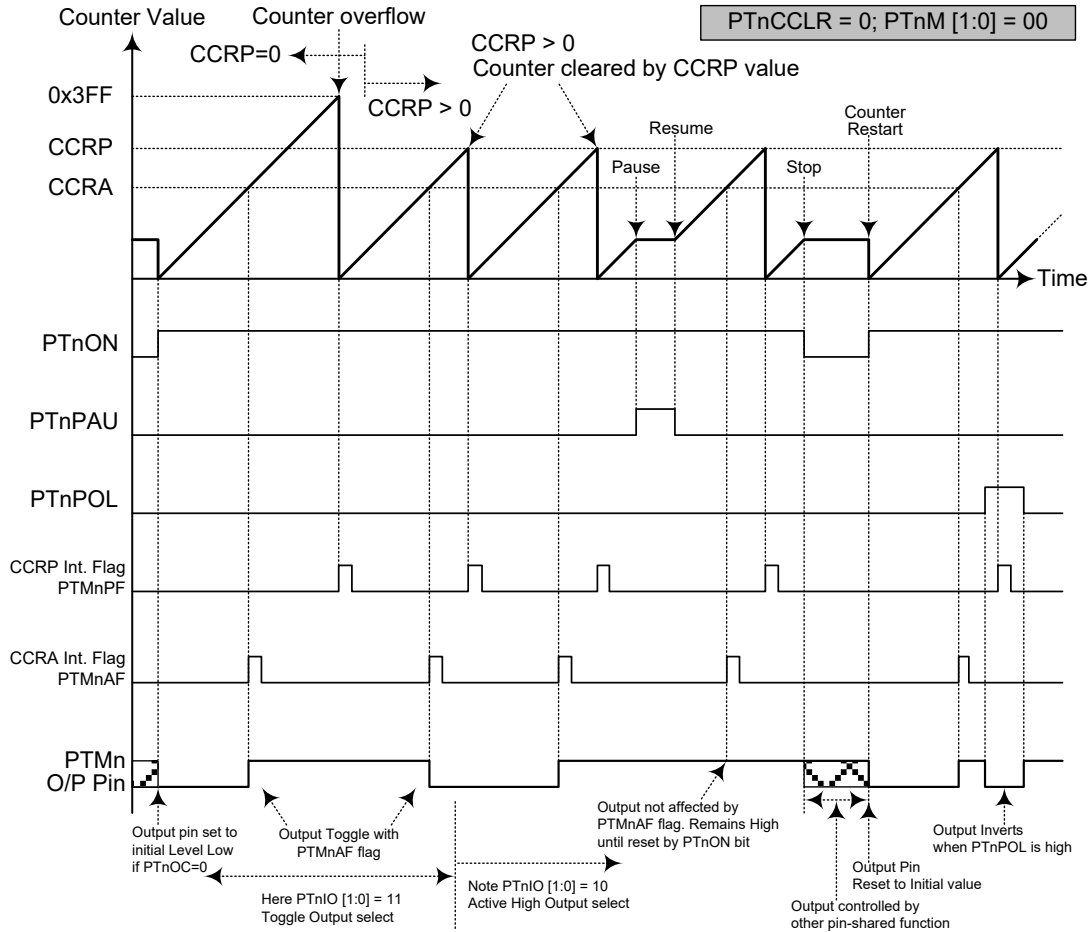
The Periodic Type TM can operate in one of five operating modes, Compare Match Output Mode, PWM Output Mode, Single Pulse Output Mode, Capture Input Mode or Timer/Counter Mode. The operating mode is selected using the PTnM1 and PTnM0 bits in the PTMnC1 register.

Compare Match Output Mode

To select this mode, bits PTnM1 and PTnM0 in the PTMnC1 register, should be set to 00 respectively. In this mode once the counter is enabled and running it can be cleared by three methods. These are a counter overflow, a compare match from Comparator A and a compare match from Comparator P. When the PTnCCLR bit is low, there are two ways in which the counter can be cleared. One is when a compare match from Comparator P, the other is when the CCRP bits are all zero which allows the counter to overflow. Here both PTMnAF and PTMnPF interrupt request flags for Comparator A and Comparator P respectively, will both be generated.

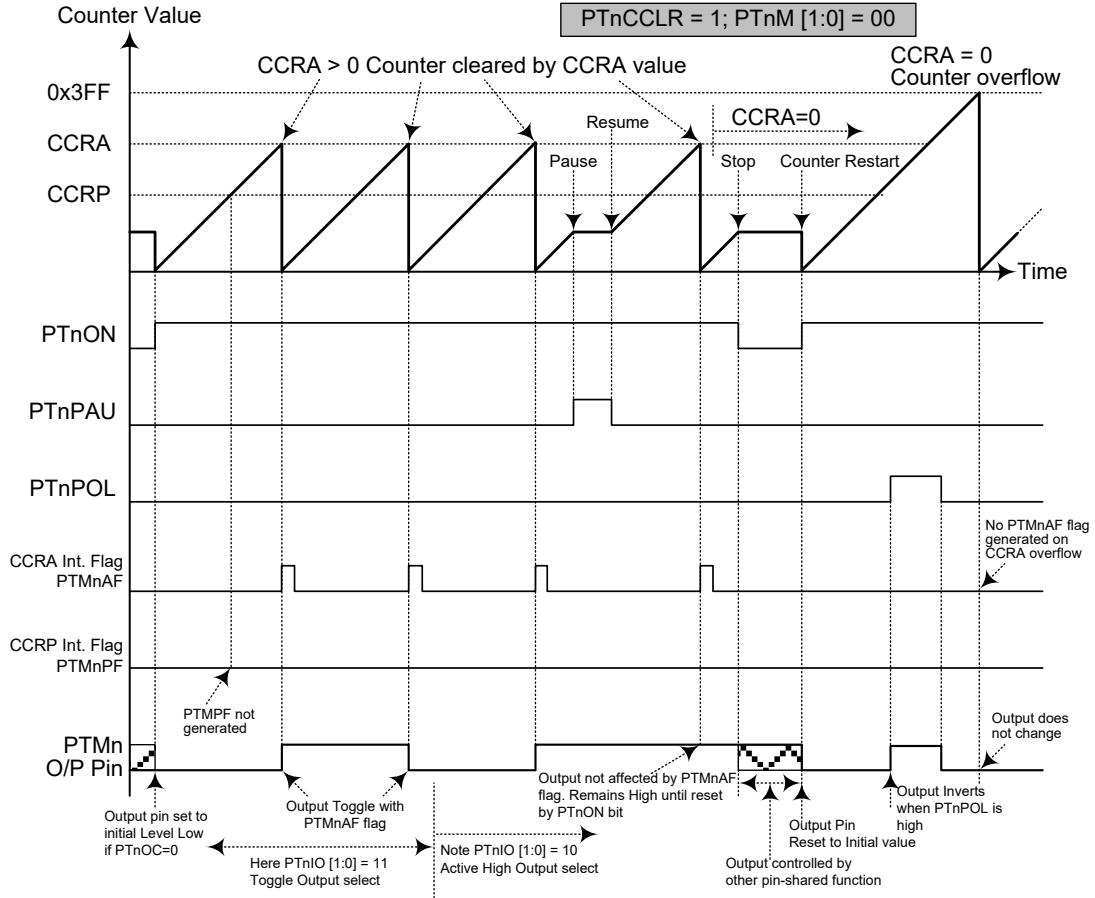
If the PTnCCLR bit in the PTMnC1 register is high then the counter will be cleared when a compare match occurs from Comparator A. However, here only the PTMnAF interrupt request flag will be generated even if the value of the CCRP bits is less than that of the CCRA registers. Therefore when PTnCCLR is high no PTMnPF interrupt request flag will be generated. In the Compare Match Output Mode, the CCRA can not be set to "0".

As the name of the mode suggests, after a comparison is made, the PTMn output pin will change state. The PTMn output pin condition however only changes state when a PTMnAF interrupt request flag is generated after a compare match occurs from Comparator A. The PTMnPF interrupt request flag, generated from a compare match occurs from Comparator P, will have no effect on the PTMn output pin. The way in which the PTMn output pin changes state are determined by the condition of the PTnIO1 and PTnIO0 bits in the PTMnC1 register. The PTMn output pin can be selected using the PTnIO1 and PTnIO0 bits to go high, to go low or to toggle from its present condition when a compare match occurs from Comparator A. The initial condition of the PTMn output pin, which is setup after the PTnON bit changes from low to high, is setup using the PTnOC bit. Note that if the PTnIO1 and PTnIO0 bits are zero then no pin change will take place.



Compare Match Output Mode – PTnCCLR=0

- Note: 1. With PTnCCLR=0, a Comparator P match will clear the counter
2. The PTMn output pin is controlled only by the PTMnAF flag
3. The output pin is reset to its initial state by a PTnON bit rising edge
4. n=0 or 1



Compare Match Output Mode – $PTnCCLR=1$

- Note: 1. With $PTnCCLR=1$, a Comparator A match will clear the counter
 2. The $PTMn$ output pin is controlled only by the $PTMnAF$ flag
 3. The output pin is reset to its initial state by a $PTnON$ bit rising edge
 4. A $PTMnPF$ flag is not generated when $PTnCCLR = 1$
 5. $n=0$ or 1

Timer/Counter Mode

To select this mode, bits PTnM1 and PTnM0 in the PTMnC1 register should be set to 11 respectively. The Timer/Counter Mode operates in an identical way to the Compare Match Output Mode generating the same interrupt flags. The exception is that in the Timer/Counter Mode the PTMn output pin is not used. Therefore the above description and Timing Diagrams for the Compare Match Output Mode can be used to understand its function. As the PTMn output pin is not used in this mode, the pin can be used as a normal I/O pin or other pin-shared function.

PWM Output Mode

To select this mode, bits PTnM1 and PTnM0 in the PTMnC1 register should be set to 10 respectively and also the PTnIO1 and PTnIO0 bits should be set to 10 respectively. The PWM function within the PTMn is useful for applications which require functions such as motor control, heating control, illumination control, etc. By providing a signal of fixed frequency but of varying duty cycle on the PTMn output pin, a square wave AC waveform can be generated with varying equivalent DC RMS values.

As both the period and duty cycle of the PWM waveform can be controlled, the choice of generated waveform is extremely flexible. In the PWM mode, the PTnCCLR bit has no effect as the PWM period. Both of the CCRP and CCRA registers are used to generate the PWM waveform, one register is used to clear the internal counter and thus control the PWM waveform frequency, while the other one is used to control the duty cycle. The PWM waveform frequency and duty cycle can therefore be controlled by the values in the CCRA and CCRP registers.

An interrupt flag, one for each of the CCRA and CCRP, will be generated when a compare match occurs from either Comparator A or Comparator P. The PTnOC bit in the PTMnC1 register is used to select the required polarity of the PWM waveform while the two PTnIO1 and PTnIO0 bits are used to enable the PWM output or to force the PTMn output pin to a fixed high or low level. The PTnPOL bit is used to reverse the polarity of the PWM output waveform.

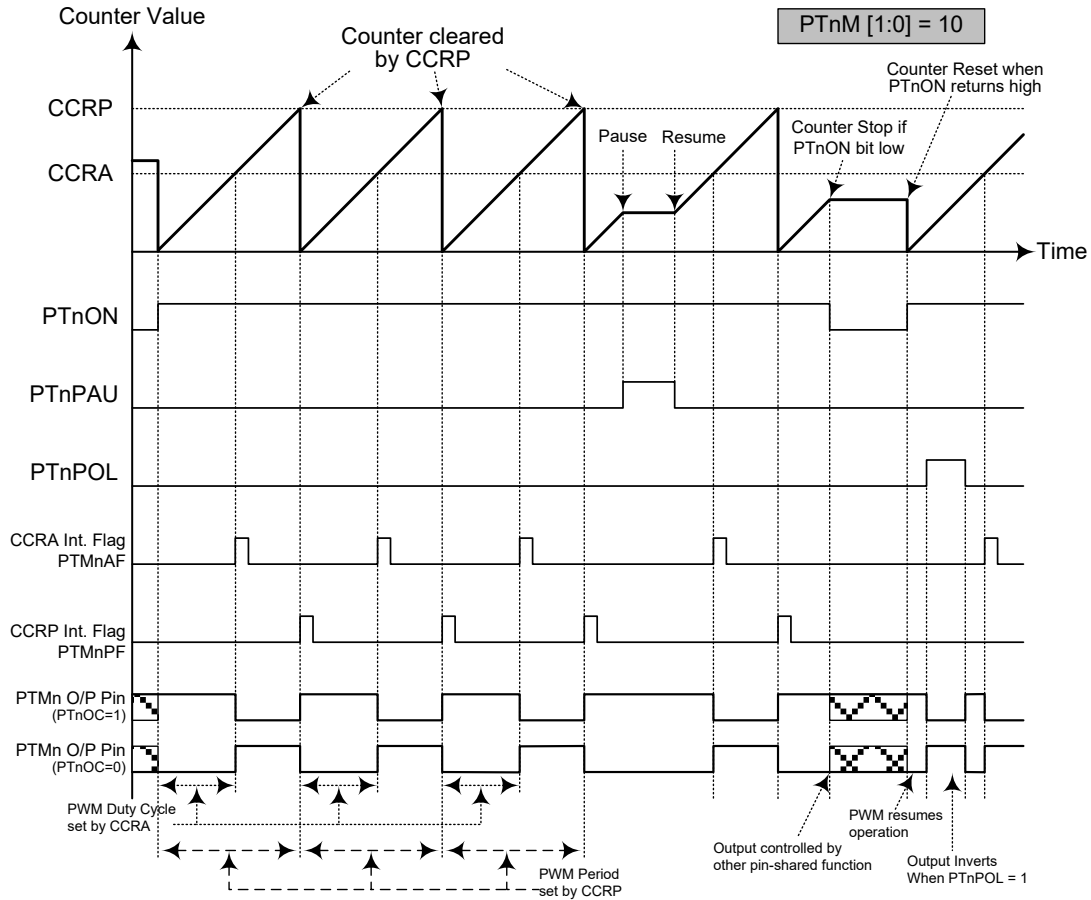
- **10-bit PTMn, PWM Mode,**

Period		Duty
CCRP=0	CCRP=1~1023	CCRA
1024	1~1023	

If $f_{SYS}=16\text{MHz}$, TM clock source select $f_{SYS}/4$, CCRP=512 and CCRA=128,

The PTMn PWM output frequency= $(f_{SYS}/4)/512=f_{SYS}/2048=7.8125\text{kHz}$, duty= $128/512=25\%$,

If the Duty value defined by the CCRA register is equal to or greater than the Period value, then the PWM output duty is 100%.



PWM Mode

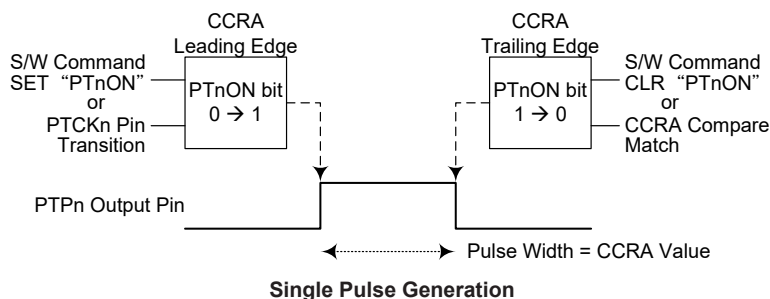
- Note: 1. The counter is cleared by CCRP.
 2. A counter clear sets the PWM Period
 3. The internal PWM function continues running even when PTnIO [1:0]=00 or 01
 4. The PTnCCLR bit has no influence on PWM operation
 5. n=0 or 1

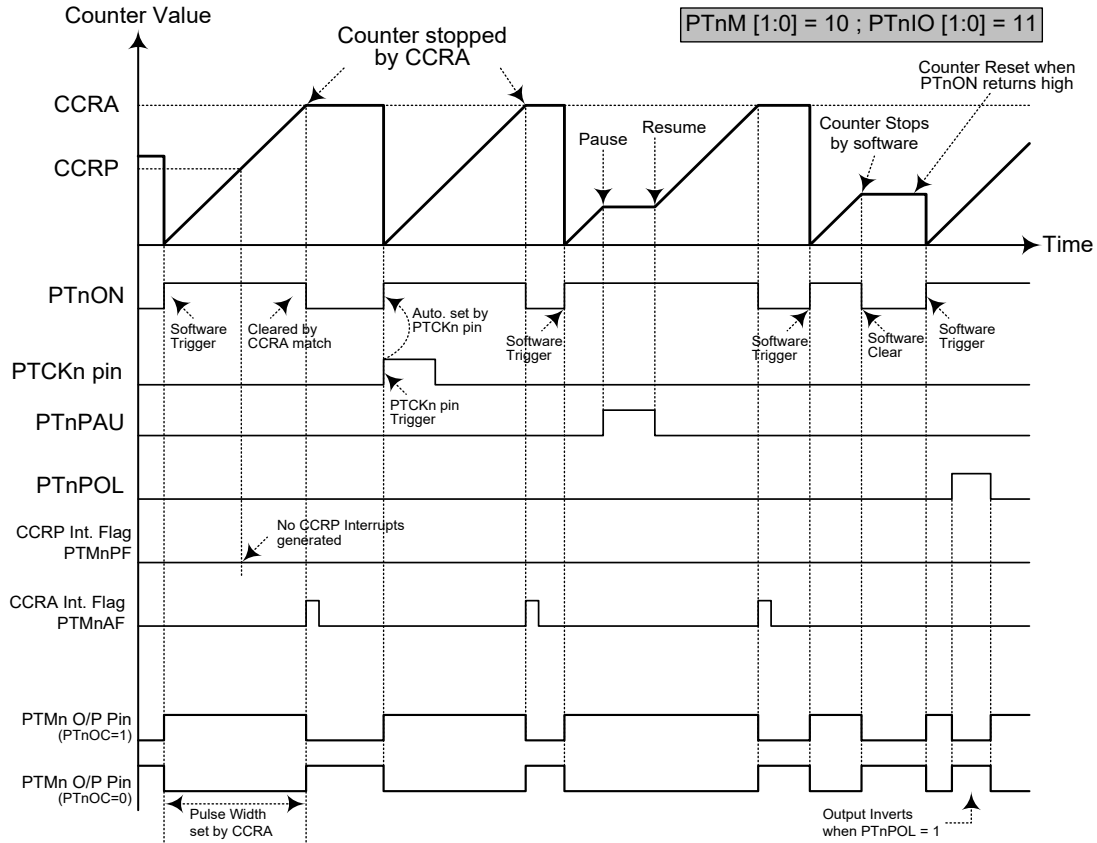
Single Pulse Output Mode

To select this mode, bits PTnM1 and PTnM0 in the PTMnC1 register should be set to 10 respectively and also the PTnIO1 and PTnIO0 bits should be set to 11 respectively. The Single Pulse Output Mode, as the name suggests, will generate a single shot pulse on the PTMn output pin.

The trigger for the pulse output leading edge is a low to high transition of the PTnON bit, which can be implemented using the application program. However in the Single Pulse Mode, the PTnON bit can also be made to automatically change from low to high using the external PTCKn pin, which will in turn initiate the Single Pulse output. When the PTnON bit transitions to a high level, the counter will start running and the pulse leading edge will be generated. The PTnON bit should remain high when the pulse is in its active state. The generated pulse trailing edge will be generated when the PTnON bit is cleared to zero, which can be implemented using the application program or when a compare match occurs from Comparator A.

However a compare match from Comparator A will also automatically clear the PTnON bit and thus generate the Single Pulse output trailing edge. In this way the CCRA value can be used to control the pulse width. A compare match from Comparator A will also generate a PTMn interrupt. The counter can only be reset back to zero when the PTnON bit changes from low to high when the counter restarts. In the Single Pulse Mode CCRP is not used. The PTnCCLR is not used in this Mode.





Single Pulse Mode

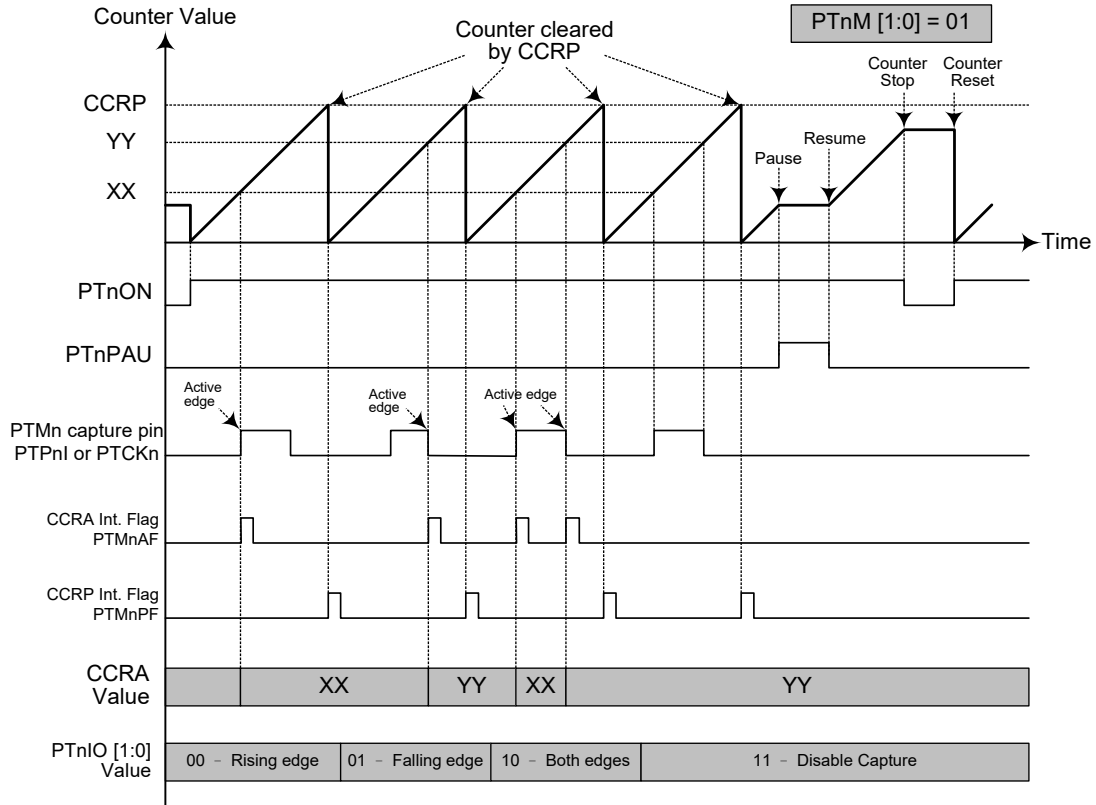
- Note: 1. Counter stopped by CCRA
 2. CCRP is not used
 3. The pulse triggered by the PTCKn pin or by setting the PTnON bit high
 4. A PTCKn pin active edge will automatically set the PTnON bit high.
 5. In the Single Pulse Mode, PTnIO [1:0] must be set to "11" and can not be changed.
 6. n=0 or 1

Capture Input Mode

To select this mode bits PTnM1 and PTnM0 in the PTMnC1 register should be set to 01 respectively. This mode enables external signals to capture and store the present value of the internal counter and can therefore be used for applications such as pulse width measurements. The external signal is supplied on the PTPnI or PTCKn pin, selected by the PTnCAPTS bit in the PTMnC1 register. The input pin active edge can be either a rising edge, a falling edge or both rising and falling edges; the active edge transition type is selected using the PTnIO1 and PTnIO0 bits in the PTMnC1 register. The counter is started when the PTnON bit changes from low to high which is initiated using the application program.

When the required edge transition appears on the PTPnI or PTCKn pin the present value in the counter will be latched into the CCRA registers and a PTMn interrupt generated. Irrespective of what events occur on the PTPnI or PTCKn pin the counter will continue to free run until the PTnON bit changes from high to low. When a CCRP compare match occurs the counter will reset back to zero; in this way the CCRP value can be used to control the maximum counter value. When a CCRP compare match occurs from Comparator P, a PTMn interrupt will also be generated. Counting the number of overflow interrupt signals from the CCRP can be a useful method in measuring long pulse widths. The PTnIO1 and PTnIO0 bits can select the active trigger edge on the PTPnI or PTCKn pin to be a rising edge, falling edge or both edge types. If the PTnIO1 and PTnIO0 bits are both set high, then no capture operation will take place irrespective of what happens on the PTPnI or PTCKn pin, however it must be noted that the counter will continue to run.

As the PTPnI or PTCKn pin is pin shared with other functions, care must be taken if the PTMn is in the Input Capture Mode. This is because if the pin is setup as an output, then any transitions on this pin may cause an input capture operation to be executed. The PTnCCLR, PTnOC and PTnPOL bits are not used in this Mode.



Capture Input Mode

- Note: 1. PTnM [1:0]=01 and active edge set by the PTnIO [1:0] bits
 2. A PTMn Capture input pin active edge transfers the counter value to CCRA
 3. PTnCCLR bit not used
 4. No output function – PTnOC and PTnPOL bits are not used
 5. CCRP determines the counter value and the counter has a maximum count value when CCRP is equal to zero.
 6. n=0 or 1

Analog to Digital Converter

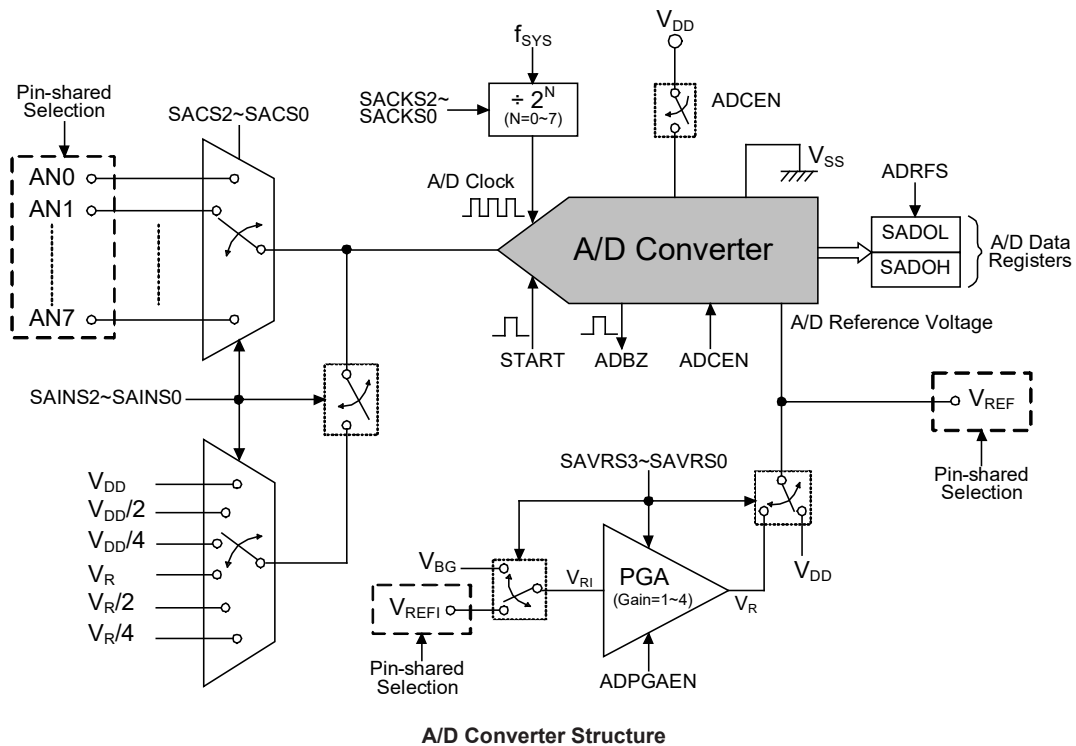
The need to interface to real world analog signals is a common requirement for many electronic systems. However, to properly process these signals by a microcontroller, they must first be converted into digital signals by A/D converters. By integrating the A/D conversion electronic circuitry into the microcontroller, the need for external components is reduced significantly with the corresponding follow-on benefits of lower costs and reduced component space requirements.

A/D Overview

These devices contain a multi-channel analog to digital converter which can directly interface to external analog signals, such as that from sensors or other control signals and convert these signals directly into a 12-bit digital value. It also can convert the internal signals, such as the Bandgap reference voltage, into a 12-bit digital value. The external or internal analog signal to be converted is determined by the SAINS2~SAINS0 bits together with the SACS2~SACS0 bits. Note that when the internal analog signal is to be converted, the pin-shared control bits should also be properly configured except the SAINS and SACS bit fields. More detailed information about the A/D input signal is described in the "A/D Converter Control Registers" and "A/D Converter Input Signal" sections respectively.

The accompanying block diagram shows the internal structure of the A/D converter together with its associated registers.

Device	External Input Channel	Input Pins	A/D Channel Select Bits
HT66FV130	4	AN0, AN2, AN6~AN7	SACS2~SACS0
HT66FV140	8	AN0~AN7	SACS2~SACS0
HT66FV150	8	AN0~AN7	SACS2~SACS0
HT66FV160	8	AN0~AN7	SACS2~SACS0



A/D Converter Register Description

Overall operation of the A/D converter is controlled using five registers. A read only register pair exists to store the A/D Converter data 12-bit value. The remaining three registers are control registers which setup the operating and control function of the A/D converter.

Register Name	Bit							
	7	6	5	4	3	2	1	0
SADOL (ADRF5=0)	D3	D2	D1	D0	—	—	—	—
SADOL (ADRF5=1)	D7	D6	D5	D4	D3	D2	D1	D0
SADOH (ADRF5=0)	D11	D10	D9	D8	D7	D6	D5	D4
SADOH (ADRF5=1)	—	—	—	—	D11	D10	D9	D8
SADC0	START	ADBZ	ADCEN	ADRF5	—	SACS2	SACS1	SACS0
SADC1	SAINS2	SAINS10	SAINS0	—	—	SACKS2	SACKS1	SACKS0
SADC2	ADPGAEN	VBGEN	—	—	SAVRS3	SAVRS2	SAVRS1	SAVRS0

A/D Converter Registers List

A/D Converter Data Registers – SADOL, SADOH

As these devices contain an internal 12-bit A/D converter, it requires two data registers to store the converted value. These are a high byte register, known as SADOH, and a low byte register, known as SADOL. After the conversion process takes place, these registers can be directly read by the microcontroller to obtain the digitised conversion value. As only 12 bits of the 16-bit register space is utilised, the format in which the data is stored is controlled by the ADRF5 bit in the SADC0 register as shown in the accompanying table. D0~D11 are the A/D conversion result data bits. Any unused bits will be read as zero. The A/D data registers contents will be kept unchanged if the A/D converter is disabled.

ADRF5	SADOH								SADOL							
	7	6	5	4	3	2	1	0	7	6	5	4	3	2	1	0
0	D11	D10	D9	D8	D7	D6	D5	D4	D3	D2	D1	D0	0	0	0	0
1	0	0	0	0	D11	D10	D9	D8	D7	D6	D5	D4	D3	D2	D1	D0

A/D Converter Data Registers

A/D Converter Control Registers – SADC0, SADC1, SADC2

To control the function and operation of the A/D converter, three control registers known as SADC0, SADC1 and SADC2 are provided. These 8-bit registers define functions such as the selection of which analog channel is connected to the internal A/D converter, the digitised data format, the A/D clock source as well as controlling the start function and monitoring the A/D converter busy status. As these devices contain only one actual analog to digital converter hardware circuit, each of the external and internal analog signals must be routed to the converter. The SACS2~SACS0 bits in the SADC0 register are used to determine which external channel input is selected to be converted. The SAINS2~SAINS0 bits in the SADC1 register are used to determine that the analog signal to be converted comes from the internal analog signal or external analog channel input. If the SAINS2~SAINS0 bits are set to "000", the external analog channel input is selected to be converted and the SACS2~SACS0 bits can determine which external channel is selected to be converted. If the SAINS2~SAINS0 bits are set to any other values except "000" and "100", one of the internal analog signals is selected to be converted. The internal analog signals can be derived from the A/D converter supply power, V_{DD} , or internal reference voltage, V_R , with a specific ratio of 1, 1/2 or 1/4. If the internal analog signal is selected to be converted, the external channel signal input will automatically be switched off to avoid the signal contention.

SAINS [2:0]	SACS [2:0]	Input Signals	Description
000, 100	000~111	AN0~AN7	External channel analog input
001	xxx	V_{DD}	A/D converter power supply voltage
010	xxx	$V_{DD}/2$	A/D converter power supply voltage/2
011	xxx	$V_{DD}/4$	A/D converter power supply voltage/4
101	xxx	V_R	Internal reference voltage
110	xxx	$V_R/2$	Internal reference voltage/2
111	xxx	$V_R/4$	Internal reference voltage/4

A/D Converter Input Signal Selection

The relevant pin-shared function selection bits determine which pins on I/O Ports are used as analog inputs for the A/D converter input and which pins are not to be used as the A/D converter input. When the pin is selected to be an A/D input, its original function whether it is an I/O or other pin-shared function will be removed. In addition, any internal pull-high resistor connected to the pin will be automatically removed if the pin is selected to be an A/D converter input.

SADC0 Register – HT66FV130

Bit	7	6	5	4	3	2	1	0
Name	START	ADBZ	ADCEN	ADRF5	—	SACS2	SACS1	SACS0
R/W	R/W	R	R/W	R/W	—	R/W	R/W	R/W
POR	0	0	0	0	—	0	0	0

Bit 7 **START**: Start the A/D Conversion

0→1→0: Start

This bit is used to initiate an A/D conversion process. The bit is normally low but if set high and then cleared low again, the A/D converter will initiate a conversion process.

Bit 6 **ADBZ**: A/D Converter busy flag

0: No A/D conversion is in progress

1: A/D conversion is in progress

This read only flag is used to indicate whether the A/D conversion is in progress or not. When the START bit is set from low to high and then to low again, the ADBZ flag will be set to 1 to indicate that the A/D conversion is initiated. The ADBZ flag will be cleared to 0 after the A/D conversion is complete.

- Bit 5 **ADCEN:** A/D Converter function enable control
 0: Disable
 1: Enable
 This bit controls the A/D internal function. This bit should be set to one to enable the A/D converter. If the bit is set low, then the A/D converter will be switched off reducing the device power consumption. When the A/D converter function is disabled, the contents of the A/D data register pair, SADOH and SADOL, will be kept unchanged.

- Bit 4 **ADRF5:** A/D conversion data format select
 0: A/D converter data format → SADOH=D [11:4]; SADOL=D [3:0]
 1: A/D converter data format → SADOH=D [11:8]; SADOL=D [7:0]
 This bit controls the format of the 12-bit converted A/D value in the two A/D data registers. Details are provided in the A/D converter data register section.

- Bit 3 Unimplemented, read as "0"

- Bit 2~0 **SACS2~SACS0:** A/D converter external analog input channel select
 000: AN0
 001: Undefined
 010: AN2
 011: Undefined
 100: Undefined
 101: Undefined
 110: AN6
 111: AN7

SADC0 Register – HT66FV140/HT66FV150/HT66FV160

Bit	7	6	5	4	3	2	1	0
Name	START	ADBZ	ADCEN	ADRF5	—	SACS2	SACS1	SACS0
R/W	R/W	R	R/W	R/W	—	R/W	R/W	R/W
POR	0	0	0	0	—	0	0	0

- Bit 7 **START:** Start the A/D Conversion
 0→1→0: Start
 This bit is used to initiate an A/D conversion process. The bit is normally low but if set high and then cleared low again, the A/D converter will initiate a conversion process.

- Bit 6 **ADBZ:** A/D Converter busy flag
 0: No A/D conversion is in progress
 1: A/D conversion is in progress
 This read only flag is used to indicate whether the A/D conversion is in progress or not. When the START bit is set from low to high and then to low again, the ADBZ flag will be set to 1 to indicate that the A/D conversion is initiated. The ADBZ flag will be cleared to 0 after the A/D conversion is complete.

- Bit 5 **ADCEN:** A/D Converter function enable control
 0: Disable
 1: Enable
 This bit controls the A/D internal function. This bit should be set to one to enable the A/D converter. If the bit is set low, then the A/D converter will be switched off reducing the device power consumption. When the A/D converter function is disabled, the contents of the A/D data register pair, SADOH and SADOL, will be kept unchanged.

- Bit 4 **ADRF5:** A/D conversion data format select
 0: A/D converter data format → SADOH=D [11:4]; SADOL=D [3:0]
 1: A/D converter data format → SADOH=D [11:8]; SADOL=D [7:0]
 This bit controls the format of the 12-bit converted A/D value in the two A/D data registers. Details are provided in the A/D converter data register section.

- Bit 3 Unimplemented, read as "0"
- Bit 2~0 **SACS2~SACS0**: A/D converter external analog input channel select
 - 000: AN0
 - 001: AN1
 - 010: AN2
 - 011: AN3
 - 100: AN4
 - 101: AN5
 - 110: AN6
 - 111: AN7

SADC1 Register

Bit	7	6	5	4	3	2	1	0
Name	SAINS2	SAINS1	SAINS0	—	—	SACKS2	SACKS1	SACKS0
R/W	R/W	R/W	R/W	—	—	R/W	R/W	R/W
POR	0	0	0	—	—	0	0	0

- Bit 7~5 **SAINS2~SAINS0**: A/D Converter input signal select
 - 000, 100: External signal – External analog channel input
 - 001: Internal signal – Internal A/D converter power supply voltage V_{DD}
 - 010: Internal signal – Internal A/D converter power supply voltage $V_{DD}/2$
 - 011: Internal signal – Internal A/D converter power supply voltage $V_{DD}/4$
 - 101: Internal signal – Internal reference voltage V_R
 - 110: Internal signal – Internal reference voltage $V_R/2$
 - 111: Internal signal – Internal reference voltage $V_R/4$

When the internal analog signal is selected to be converted, the external channel input signal will automatically be switched off regardless of the SACS2~SACS0 bit field value. The internal reference voltage can be derived from various sources selected using the SAVRS 3~SAVRS0 bits in the SADC2 register.

- Bit 4~3 Unimplemented, read as "0"
- Bit 2~0 **SACKS2~SACKS0**: A/D conversion clock source select
 - 000: f_{SYS}
 - 001: $f_{SYS}/2$
 - 010: $f_{SYS}/4$
 - 011: $f_{SYS}/8$
 - 100: $f_{SYS}/16$
 - 101: $f_{SYS}/32$
 - 110: $f_{SYS}/64$
 - 111: $f_{SYS}/128$

These bits are used to select the clock source for the A/D converter.

SADC2 Register

Bit	7	6	5	4	3	2	1	0
Name	ADPGAEN	VBGEN	—	—	SAVRS3	SAVRS2	SAVRS1	SAVRS0
R/W	R/W	R/W	—	—	R/W	R/W	R/W	R/W
POR	0	0	—	—	0	0	0	0

- Bit 7 **ADPGAEN**: A/D converter PGA function enable control
0: Disable
1: Enable
This bit controls the internal PGA function to provide various reference voltage for the A/D converter. When the bit is set high, the internal reference voltage, V_R , can be used as the internal converted signal or reference voltage by the A/D converter. If the internal reference voltage is not used by the A/D converter, then the PGA function should be properly configured to conserve power.
- Bit 6 **VBGEN**: Internal Bandgap reference voltage enable control
0: Disable
1: Enable
This bit controls the internal Bandgap circuit on/off function to the A/D converter. When the bit is set high, the Bandgap reference voltage can be used by the A/D converter. If the Bandgap reference voltage is not used by the A/D converter and the LVD or LVR function is disabled, then the bandgap reference circuit will be automatically switched off to conserve power. When the Bandgap reference voltage is switched on for use by the A/D converter, a time, t_{BGS} , should be allowed for the Bandgap circuit to stabilise before implementing an A/D conversion.
- Bit 5~4 Unimplemented, read as "0"
- Bit 3~0 **SAVRS3~SAVRS0**: A/D Converter reference voltage select
0000: V_{DD}
0001: V_{REFI}
0010: $V_{REFI} \times 2$
0011: $V_{REFI} \times 3$
0100: $V_{REFI} \times 4$
1001: Reserved, can not be used.
1010: $V_{BG} \times 2$
1011: $V_{BG} \times 3$
1100: $V_{BG} \times 4$
Others: V_{DD}
When the A/D converter reference voltage source is selected to derive from the internal V_{BG} voltage, the reference voltage which comes from the VDD or VREFI pin will be automatically switched off.

A/D Operation

The START bit in the SADC0 register is used to start the AD conversion. When the microcontroller sets this bit from low to high and then low again, an analog to digital conversion cycle will be initiated.

The ADBZ bit in the SADC0 register is used to indicate whether the analog to digital conversion process is in progress or not. This bit will be automatically set to 1 by the microcontroller after an A/D conversion is successfully initiated. When the A/D conversion is complete, the ADBZ will be cleared to 0. In addition, the corresponding A/D interrupt request flag will be set in the interrupt control register, and if the interrupts are enabled, an internal interrupt signal will be generated. This A/D internal interrupt signal will direct the program flow to the associated A/D internal interrupt address for processing. If the A/D internal interrupt is disabled, the microcontroller can poll the ADBZ bit in the SADC0 register to check whether it has been cleared as an alternative method of detecting the end of an A/D conversion cycle.

The clock source for the A/D converter, which originates from the system clock f_{SYS} , can be chosen to be either f_{SYS} or a subdivided version of f_{SYS} . The division ratio value is determined by the SACKS2~SACKS0 bits in the SADC1 register. Although the A/D clock source is determined by the system clock f_{SYS} and by bits SACKS2~SACKS0, there are some limitations on the maximum A/D clock source speed that can be selected. As the recommended range of permissible A/D clock period, t_{ADCK} , is from 0.5 μ s to 10 μ s, care must be taken for system clock frequencies. For example, as the system clock operates at a frequency of 8MHz, the SACKS2~SACKS0 bits should not be set to 000, 001 or 111. Doing so will give A/D clock periods that are less than the minimum A/D clock period which may result in inaccurate A/D conversion values. Refer to the following table for examples, where values marked with an asterisk * show where, depending upon the device, special care must be taken, as the values may be less than the specified minimum A/D Clock Period.

f_{SYS}	A/D Clock Period (t_{ADCK})							
	SACKS [2:0]= 000 (f_{SYS})	SACKS [2:0]= 001 ($f_{SYS}/2$)	SACKS [2:0]= 010 ($f_{SYS}/4$)	SACKS [2:0]= 011 ($f_{SYS}/8$)	SACKS [2:0]= 100 ($f_{SYS}/16$)	SACKS [2:0]= 101 ($f_{SYS}/32$)	SACKS [2:0]= 110 ($f_{SYS}/64$)	SACKS [2:0]= 111 ($f_{SYS}/128$)
1 MHz	1 μ s	2 μ s	4 μ s	8 μ s	16 μ s *	32 μ s *	64 μ s *	128 μ s *
2 MHz	500ns	1 μ s	2 μ s	4 μ s	8 μ s	16 μ s *	32 μ s *	64 μ s *
4 MHz	250ns *	500ns	1 μ s	2 μ s	4 μ s	8 μ s	16 μ s *	32 μ s *
8 MHz	125ns *	250ns *	500ns	1 μ s	2 μ s	4 μ s	8 μ s	16 μ s *
12 MHz	83ns *	167ns *	333ns *	667ns	1.33 μ s	2.67 μ s	5.33 μ s	10.67 μ s *
16 MHz	62.5ns *	125ns *	250ns *	500ns	1 μ s	2 μ s	4 μ s	8 μ s
20 MHz	50ns *	100ns *	200ns *	400ns *	800ns	1.6 μ s	3.2 μ s	6.4 μ s

A/D Clock Period Examples

Controlling the power on/off function of the A/D converter circuitry is implemented using the ADCEN bit in the SADC0 register. This bit must be set high to power on the A/D converter. When the ADCEN bit is set high to power on the A/D converter internal circuitry a certain delay, as indicated in the timing diagram, must be allowed before an A/D conversion is initiated. Even if no pins are selected for use as A/D inputs, if the ADCEN bit is high, then some power will still be consumed. In power conscious applications it is therefore recommended that the ADCEN is set low to reduce power consumption when the A/D converter function is not being used.

A/D Reference Voltage

The reference voltage supply to the A/D Converter can be supplied from the positive power supply pin, V_{DD} , an external reference source supplied on pin VREFI or an internal reference source derived from the Bandgap circuit. Then the selected reference voltage source can be amplified through a programmable gain amplifier except the one sourced from V_{DD} . The PGA gain can be equal to 1, 2, 3 or 4. The desired selection is made using the SAVRS3~SAVRS0 bits in the SADC2 register and relevant pin-shared function selection bits. Note that the desired selected reference voltage will be output on the VREF pin which is pin-shared with other functions. As the VREFI and VREF pins both are pin-shared with other functions, when the VREFI or VREF pin is selected as the reference voltage supply pin, the VREFI or VREF pin-shared function control bits should be properly configured to disable other pin-shared functions.

A/D Input Pins

All of the A/D analog input pins are pin-shared with the I/O pins as well as other functions. The corresponding pin-shared function selection bits in the PxS0 and PxS1 registers, determine whether the external input pins are setup as A/D converter analog channel inputs or whether they have other functions. If the corresponding pin is setup to be an A/D converter analog channel input, the original pin functions will be disabled. In this way, pins can be changed under program control to change their function between A/D inputs and other functions. All pull-high resistors, which are setup through register programming, will be automatically disconnected if the pins are setup as A/D inputs. Note that it is not necessary to first setup the A/D pin as an input in the port control register to enable the A/D input as when the relevant A/D input function selection bits enable an A/D input, the status of the port control register will be overridden.

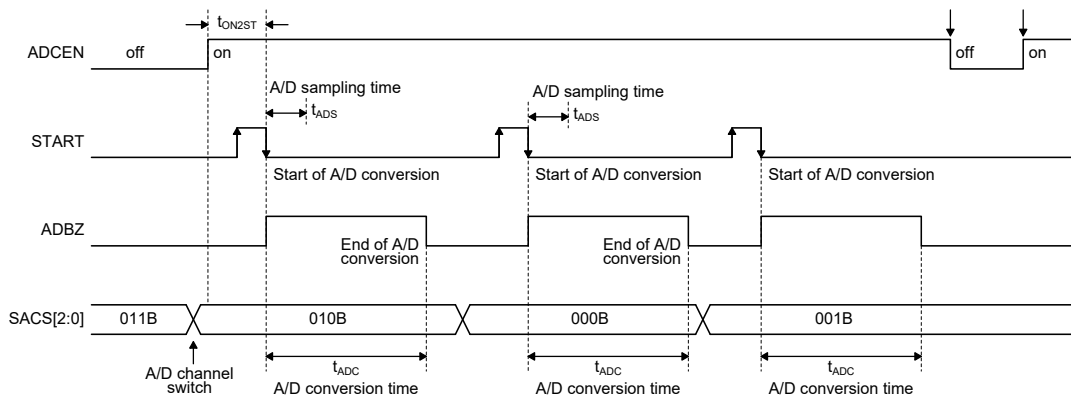
The A/D converter has its own reference voltage pin, VREFI. However, the reference voltage can also be supplied from the power supply pin or an internal Bandgap circuit, a choice which is made through the SAVRS3~SAVRS0 bits in the SADC2 register. The selected A/D reference voltage can be output on the VREF pin. The analog input values must not be allowed to exceed the value of VREF.

Conversion Rate and Timing Diagram

A complete A/D conversion contains two parts, data sampling and data conversion. The data sampling which is defined as t_{ADS} takes 4 A/D clock cycles and the data conversion takes 12 A/D clock cycles. Therefore a total of 16 A/D clock cycles for an A/D conversion which is defined as t_{ADC} are necessary.

$$\text{Maximum single A/D conversion rate} = \text{A/D clock period} / 16 \quad (1)$$

The accompanying diagram shows graphically the various stages involved in an analog to digital conversion process and its associated timing. After an A/D conversion process has been initiated by the application program, the microcontroller internal hardware will begin to carry out the conversion, during which time the program can continue with other functions. The time taken for the A/D conversion is 16 t_{ADCK} clock cycles where t_{ADCK} is equal to the A/D clock period.



A/D Conversion Timing

Summary of A/D Conversion Steps

The following summarises the individual steps that should be executed in order to implement an A/D conversion process.

- Step 1
Select the required A/D conversion clock by properly programming the SACKS2~SACKS0 bits in the SADC1 register.
- Step 2
Enable the A/D converter by setting the ADCEN bit in the SADC0 register to one.
- Step 3
Select which signal is to be connected to the internal A/D converter by correctly configuring the SAINS2~SAINS0 bits
Select the external channel input to be converted, go to Step 4.
Select the internal analog signal to be converted, go to Step 5.
- Step 4
If the A/D input signal comes from the external channel input selecting by configuring the SAINS bit field, the corresponding pins should first be configured as A/D input function by configuring the relevant pin-shared function control bits. The desired analog channel then should be selected by configuring the SACS bit field. After this step, go to Step 6.
- Step 5
If the A/D input signal is selected to come from the internal analog signal, the SAINS bit field should be properly configured and then the external channel input will automatically be disconnected regardless of the SACS bit field value. After this step, go to Step 6.
- Step 6
Select the reference voltage source by configuring the SAVRS3~SAVRS0 bits.
- Step 7
Select the A/D converter output data format by configuring the ADRFS bit.
- Step 8
If A/D conversion interrupt is used, the interrupt control registers must be correctly configured to ensure the A/D interrupt function is active. The master interrupt control bit, EMI, and the A/D conversion interrupt control bit, ADE, must both be set high in advance.

- Step 9
 The A/D conversion procedure can now be initialized by setting the START bit from low to high and then low again.
- Step 10
 If A/D conversion is in progress, the ADBZ flag will be set high. After the A/D conversion process is complete, the ADBZ flag will go low and then the output data can be read from SADOH and SADOL registers.

Note: When checking for the end of the conversion process, if the method of polling the ADBZ bit in the SADC0 register is used, the interrupt enable step above can be omitted.

Programming Considerations

During microcontroller operations where the A/D converter is not being used, the A/D internal circuitry can be switched off to reduce power consumption, by setting bit ADCEN low in the SADC0 register. When this happens, the internal A/D converter circuits will not consume power irrespective of what analog voltage is applied to their input lines. If the A/D converter input lines are used as normal I/Os, then care must be taken as if the input voltage is not at a valid logic level, then this may lead to some increase in power consumption.

A/D Transfer Function

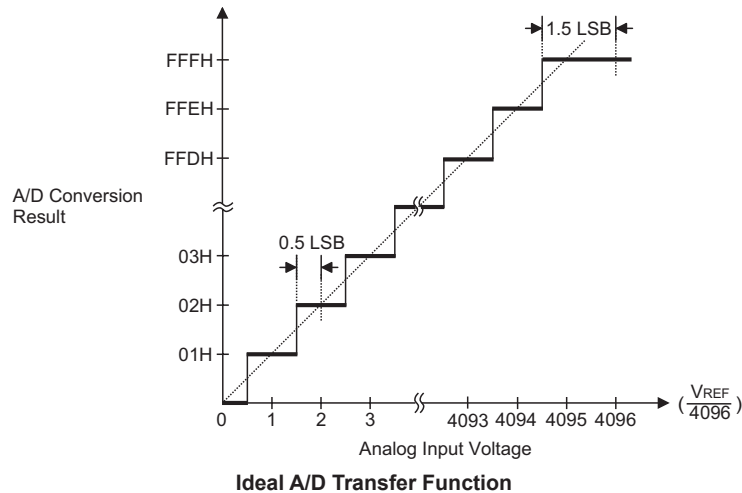
As these devices contain a 12-bit A/D converter, its full-scale converted digitised value is equal to FFFH. Since the full-scale analog input value is equal to the V_{REF} voltage, this gives a single bit analog input value of V_{REF} divided by 4096.

$$1 \text{ LSB} = V_{REF} \div 4096$$

The A/D Converter input voltage value can be calculated using the following equation:

$$\text{A/D input voltage} = \text{A/D output digital value} \times V_{REF} \div 4096$$

The diagram shows the ideal transfer function between the analog input value and the digitised output value for the A/D converter. Except for the digitised zero value, the subsequent digitised values will change at a point 0.5 LSB below where they would change without the offset, and the last full scale digitised value will change at a point 1.5 LSB below the V_{REF} level.



A/D Programming Examples

The following two programming examples illustrate how to setup and implement an A/D conversion. In the first example, the method of polling the ADBZ bit in the SADC0 register is used to detect when the conversion cycle is complete, whereas in the second example, the A/D interrupt is used to determine when the conversion is complete.

Example: using an ADBZ polling method to detect the end of conversion

```
clr ADE                ; disable ADC interrupt
mov a,03H
mov SADC1,a           ; select fsys/8 as A/D clock and switch off VBS voltage
set ADCEN
mov a,03H             ; setup PCS0 to configure pin AN0
mov PCS0,a
mov a,00H
mov SADC0,a          ; enable and connect AN0 channel to A/D converter
:
start_conversion:
clr START             ; high pulse on start bit to initiate conversion
set START             ; reset A/D
clr START             ; start A/D
:
polling_EOC:
sz ADBZ               ; poll the SADC0 register ADBZ bit to detect end of A/D conversion
jmp polling_EOC      ; continue polling
:
mov a,SADOL           ; read low byte conversion result value
mov SADOL_buffer,a   ; save result to user defined register
mov a,SAD0H           ; read high byte conversion result value
mov SADOH_buffer,a   ; save result to user defined register
:
jmp start_conversion ; start next A/D conversion
```

Example: using the interrupt method to detect the end of conversion

```
clr ADE ; disable ADC interrupt
mov a,03H
mov SADC1,a ; select fsys/8 as A/D clock and switch off VBS voltage
set ADCEN
mov a,03h ; setup PCS0 to configure pin AN0
mov PCS0,a
mov a,00h
mov SADC0,a ; enable and connect AN0 channel to A/D converter
:
Start_conversion:
clr START ; high pulse on START bit to initiate conversion
set START ; reset A/D
clr START ; start A/D
clr ADF ; clear ADC interrupt request flag
set ADE ; enable ADC interrupt
set EMI ; enable global interrupt
:
:
ADC_ISR: ; ADC interrupt service routine
mov acc_stack,a ; save ACC to user defined memory
mov a,STATUS
mov status_stack,a ; save STATUS to user defined memory
:
mov a, SADOL ; read low byte conversion result value
mov SADOL_buffer,a ; save result to user defined register
mov a, SADOH ; read high byte conversion result value
mov SADOH_buffer,a ; save result to user defined register
:
EXIT_INT_ISR:
mov a,status_stack
mov STATUS,a ; restore STATUS from user defined memory
mov a,acc_stack ; restore ACC from user defined memory
reti
```


Serial Interface Module – SIM

- **HT66FV140/HT66FV150/HT66FV160**

These devices contain a Serial Interface Module, which includes both the four-line SPI interface or two-line I²C interface types, to allow an easy method of communication with external peripheral hardware. Having relatively simple communication protocols, these serial interface types allow the microcontroller to interface to external SPI or I²C based hardware such as sensors, Flash or EEPROM memory, etc. The SIM interface pins are pin-shared with other I/O pins and therefore the SIM interface functional pins must first be selected using the corresponding pin-shared function selection bits. As both interface types share the same pins and registers, the choice of whether the SPI or I²C type is used is made using the SIM operating mode control bits, named SIM2~SIM0, in the SIMC0 register. These pull-high resistors of the SIM pin-shared I/O pins are selected using pull-high control registers when the SIM function is enabled and the corresponding pins are used as SIM input pins.

SPI Interface

The SPI interface is often used to communicate with external peripheral devices such as sensors, Flash or EEPROM memory devices, etc. Originally developed by Motorola, the four line SPI interface is a synchronous serial data interface that has a relatively simple communication protocol simplifying the programming requirements when communicating with external hardware devices.

The communication is full duplex and operates as a slave/master type, where the devices can be either master or slave. Although the SPI interface specification can control multiple slave devices from a single master, these devices provided only one $\overline{\text{SCS}}$ pin. If the master needs to control multiple slave devices from a single master, the master can use I/O pin to select the slave devices.

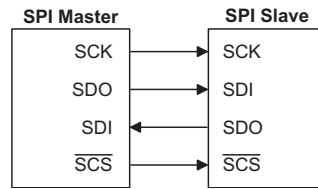
SPI Interface Operation

The SPI interface is a full duplex synchronous serial data link. It is a four line interface with pin names SDI, SDO, SCK and $\overline{\text{SCS}}$. Pins SDI and SDO are the Serial Data Input and Serial Data Output lines, SCK is the Serial Clock line and $\overline{\text{SCS}}$ is the Slave Select line. As the SPI interface pins are pin-shared with normal I/O pins and with the I²C function pins, the SPI interface pins must first be selected by configuring the pin-shared function selection bits and setting the correct bits in the SIMC0 and SIMC2 registers. After the desired SPI configuration has been set it can be disabled or enabled using the SIMEN bit in the SIMC0 register. Communication between devices connected to the SPI interface is carried out in a slave/master mode with all data transfer initiations being implemented by the master. The Master also controls the clock signal. As the device only contains a single $\overline{\text{SCS}}$ pin only one slave device can be utilized. The $\overline{\text{SCS}}$ pin is controlled by software, set CSEN bit to 1 to enable $\overline{\text{SCS}}$ pin function, set CSEN bit to 0 the $\overline{\text{SCS}}$ pin will be floating state.

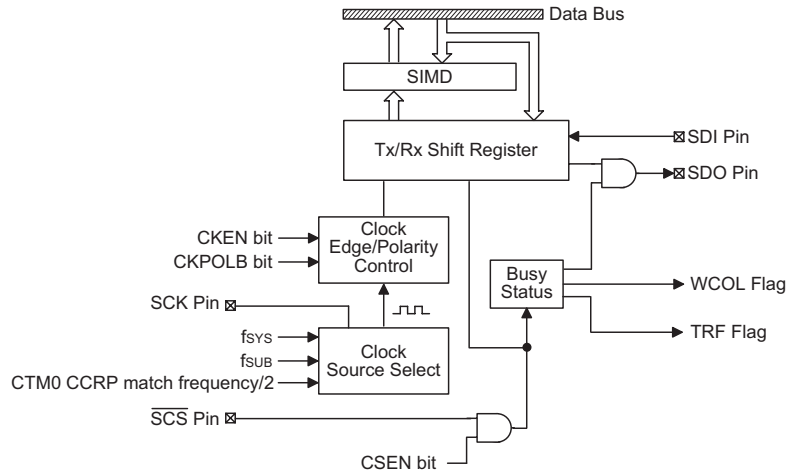
The SPI function in this device offers the following features:

- Full duplex synchronous data transfer
- Both Master and Slave modes
- LSB first or MSB first data transmission modes
- Transmission complete flag
- Rising or falling active clock edge

The status of the SPI interface pins is determined by a number of factors such as whether the device is in the master or slave mode and upon the condition of certain control bits such as CSEN and SIMEN.



SPI Master/Slave Connection



SPI Block Diagram

SPI Registers

There are three internal registers which control the overall operation of the SPI interface. These are the SIMD data register and two registers SIMC0 and SIMC2. Note that the SIMC1 register is only used by the I²C interface.

Register Name	Bit							
	7	6	5	4	3	2	1	0
SIMC0	SIM2	SIM1	SIM0	—	SIMDEB1	SIMDEB0	SIMEN	SIMICF
SIMC2	D7	D6	CKPOLB	CKEG	MLS	CSEN	WCOL	TRF
SIMD	D7	D6	D5	D4	D3	D2	D1	D0

SPI Registers List

• **SIMD Register**

The SIMD register is used to store the data being transmitted and received. The same register is used by both the SPI and I²C functions. Before the device writes data to the SPI bus, the actual data to be transmitted must be placed in the SIMD register. After the data is received from the SPI bus, the device can read it from the SIMD register. Any transmission or reception of data from the SPI bus must be made via the SIMD register.

Bit	7	6	5	4	3	2	1	0
Name	D7	D6	D5	D4	D3	D2	D1	D0
R/W	R/W	R/W	R/W	R/W	R/W	R/W	R/W	R/W
POR	x	x	x	x	x	x	x	x

"x": unknown

There are also two control registers for the SPI interface, SIMC0 and SIMC2. Note that the SIMC2 register also has the name SIMA which is used by the I²C function. The SIMC1 register is not used by the SPI function, only by the I²C function. Register SIMC0 is used to control the enable/disable function and to set the data transmission clock frequency. Register SIMC2 is used for other control functions such as LSB/MSB selection, write collision flag, etc.

• **SIMC0 Register**

Bit	7	6	5	4	3	2	1	0
Name	SIM2	SIM1	SIM0	—	SIMDEB1	SIMDEB0	SIMEN	SIMICF
R/W	R/W	R/W	R/W	—	R/W	R/W	R/W	R/W
POR	1	1	1	—	0	0	0	0

Bit 7~5 **SIM2~SIM0**: SIM Operating Mode Control
 000: SPI master mode; SPI clock is $f_{SYS} / 4$
 001: SPI master mode; SPI clock is $f_{SYS} / 16$
 010: SPI master mode; SPI clock is $f_{SYS} / 64$
 011: SPI master mode; SPI clock is f_{SUB}
 100: SPI master mode; SPI clock is CTM0 CCRP match frequency/2
 101: SPI slave mode
 110: I²C slave mode
 111: Non SIM function

These bits setup the overall operating mode of the SIM function. As well as selecting if the I²C or SPI function, they are used to control the SPI Master/Slave selection and the SPI Master clock frequency. The SPI clock is a function of the system clock and f_{SUB} but can also be chosen to be sourced from CTM0. If the SPI Slave Mode is selected then the clock will be supplied by an external Master device.

Bit 4 Unimplemented, read as "0"

Bit 3~2 **SIMDEB1~SIMDEB0**: I²C Debounce Time Selection
 00: No debounce
 01: 2 system clock debounce
 1x: 4 system clock debounce

Bit 1 **SIMEN**: SIM Enable Control
 0: Disable
 1: Enable

The bit is the overall on/off control for the SIM interface. When the SIMEN bit is cleared to zero to disable the SIM interface, the SDI, SDO, SCK and SCS, or SDA and SCL lines will lose their SPI or I²C function and the SIM operating current will be reduced to a minimum value. When the bit is high the SIM interface is enabled. The SIM configuration option must have first enabled the SIM interface for this bit to be effective. If the SIM is configured to operate as an SPI interface via the SIM2~SIM0 bits, the contents of the SPI control registers will remain at the previous settings when the SIMEN bit changes from low to high and should therefore be first initialised by the application program. If the SIM is configured to operate as an I²C interface via the SIM2~SIM0 bits and the SIMEN bit changes from low to high, the contents of the I²C control bits such as HTX and TXAK will remain at the previous settings and should therefore be first initialised by the application program while the relevant I²C flags such as HCF, HAAS, HBB, SRW and RXAK will be set to their default states.

Bit 0 **SIMICF**: SIM Incomplete Flag
 0: SIM incomplete condition not occurred
 1: SIM incomplete condition occurred

This bit is only available when the SIM is configured to operate in an SPI slave mode. If the SPI operates in the slave mode with the SIMEN and CSEN bits both being set to 1 but the \overline{SCS} line is pulled high by the external master device before the SPI data transfer is completely finished, the SIMICF bit will be set to 1 together with the TRF bit. When this condition occurs, the corresponding interrupt will occur if the interrupt function is enabled. However, the TRF bit will not be set to 1 if the SIMICF bit is set to 1 by software application program.

• **SIMC2 Register**

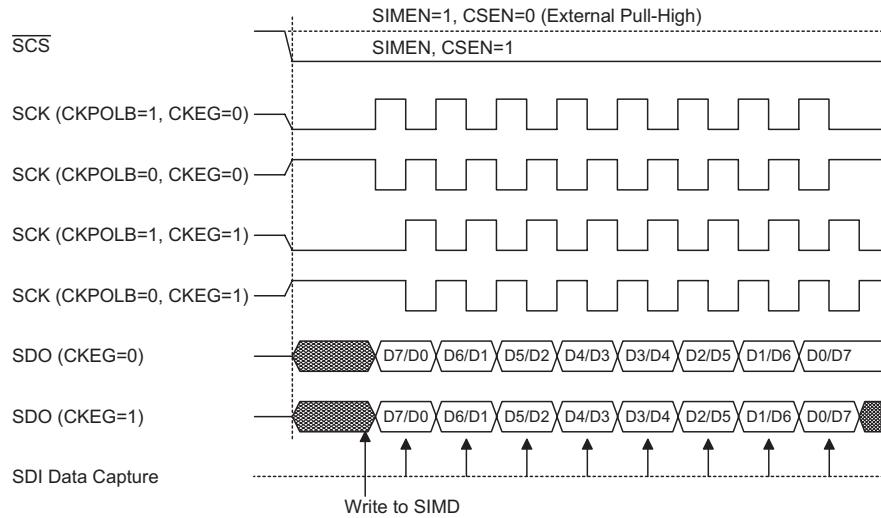
Bit	7	6	5	4	3	2	1	0
Name	D7	D6	CKPOLB	CKEG	MLS	CSEN	WCOL	TRF
R/W	R/W	R/W	R/W	R/W	R/W	R/W	R/W	R/W
POR	0	0	0	0	0	0	0	0

- Bit 7~6 **Undefined bits**
 These bits can be read or written by the application program.
- Bit 5 **CKPOLB: SPI clock line base condition selection**
 0: The SCK line will be high when the clock is inactive.
 1: The SCK line will be low when the clock is inactive.
 The CKPOLB bit determines the base condition of the clock line, if the bit is high, then the SCK line will be low when the clock is inactive. When the CKPOLB bit is low, then the SCK line will be high when the clock is inactive.
- Bit 4 **CKEG: SPI SCK clock active edge type selection**
 CKPOLB=0
 0: SCK is high base level and data capture at SCK rising edge
 1: SCK is high base level and data capture at SCK falling edge
 CKPOLB=1
 0: SCK is low base level and data capture at SCK falling edge
 1: SCK is low base level and data capture at SCK rising edge
 The CKEG and CKPOLB bits are used to setup the way that the clock signal outputs and inputs data on the SPI bus. These two bits must be configured before data transfer is executed otherwise an erroneous clock edge may be generated. The CKPOLB bit determines the base condition of the clock line, if the bit is high, then the SCK line will be low when the clock is inactive. When the CKPOLB bit is low, then the SCK line will be high when the clock is inactive. The CKEG bit determines active clock edge type which depends upon the condition of CKPOLB bit.
- Bit 3 **MLS: SPI data shift order**
 0: LSB first
 1: MSB first
 This is the data shift select bit and is used to select how the data is transferred, either MSB or LSB first. Setting the bit high will select MSB first and low for LSB first.
- Bit 2 **CSEN: SPI \overline{SCS} pin control**
 0: Disable
 1: Enable
 The CSEN bit is used as an enable/disable for the \overline{SCS} pin. If this bit is low, then the \overline{SCS} pin will be disabled and placed into a floating condition. If the bit is high, the \overline{SCS} pin will be enabled and used as a select pin.
- Bit 1 **WCOL: SPI write collision flag**
 0: No collision
 1: Collision
 The WCOL flag is used to detect whether a data collision has occurred or not. If this bit is high, it means that data has been attempted to be written to the SIMD register during a data transfer operation. This writing operation will be ignored if data is being transferred. This bit can be cleared by the application program.
- Bit 0 **TRF: SPI Transmit/Receive complete flag**
 0: SPI data is being transferred
 1: SPI data transfer is completed
 The TRF bit is the Transmit/Receive Complete flag and is set to 1 automatically when an SPI data transfer is completed, but must be cleared to 0 by the application program. It can be used to generate an interrupt.

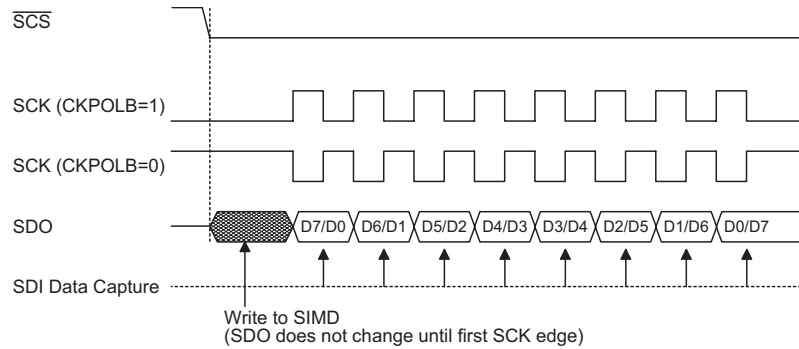
SPI Communication

After the SPI interface is enabled by setting the SIMEN bit high, then in the Master Mode, when data is written to the SIMD register, transmission/reception will begin simultaneously. When the data transfer is complete, the TRF flag will be set automatically, but must be cleared using the application program. In the Slave Mode, when the clock signal from the master has been received, any data in the SIMD register will be transmitted and any data on the SDI pin will be shifted into the SIMD register. The master should output a $\overline{\text{SCS}}$ signal to enable the slave devices before a clock signal is provided. The slave data to be transferred should be well prepared at the appropriate moment relative to the $\overline{\text{SCS}}$ signal depending upon the configurations of the CKPOLB bit and CKEG bit. The accompanying timing diagram shows the relationship between the slave data and $\overline{\text{SCS}}$ signal for various configurations of the CKPOLB and CKEG bits.

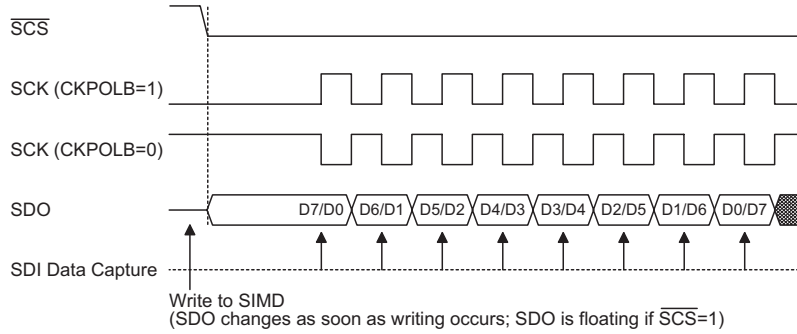
The SPI will continue to function even in the IDLE Mode.



SPI Master Mode Timing



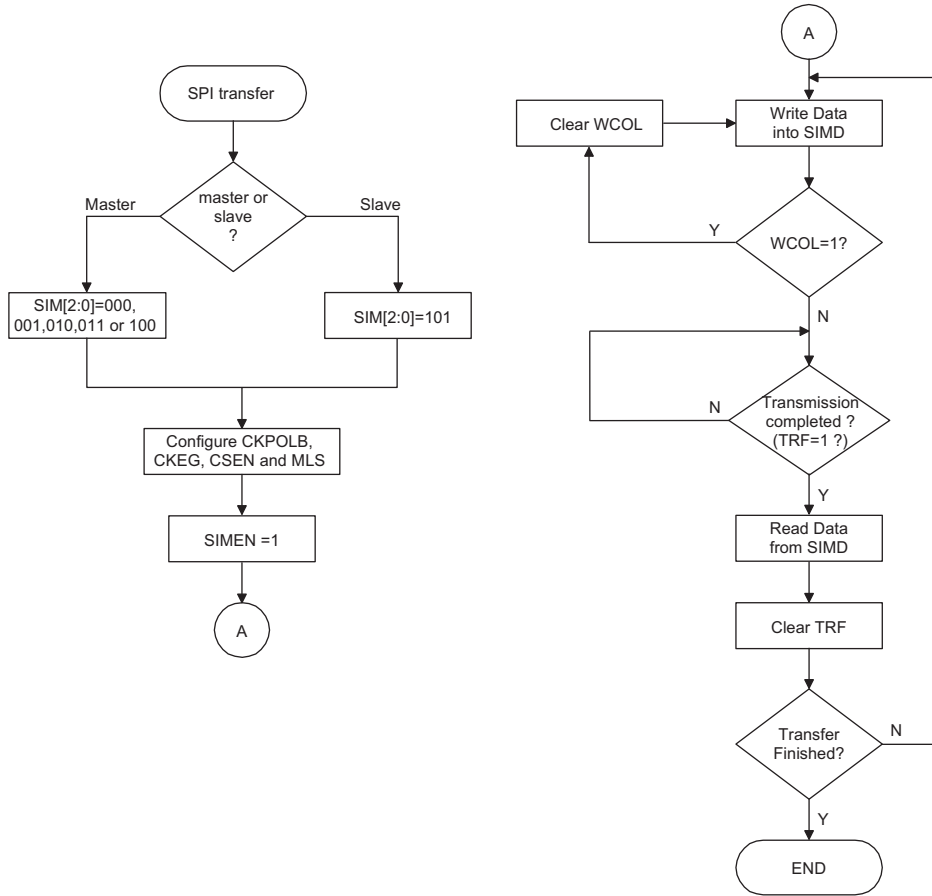
SPI Slave Mode Timing – CKEG=0



Note: For SPI slave mode, if SIMEN=1 and CSEN=0, SPI is always enabled and ignores the \overline{SCS} level.

Note: For SPI slave mode, if SIMEN=1 and CSEN=0, the SPI is always enabled and ignores the \overline{SCS} level.

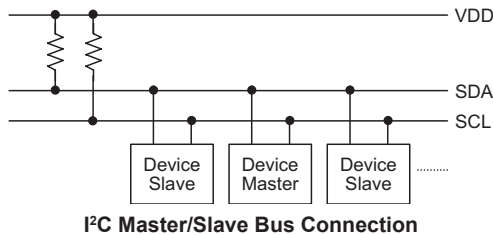
SPI Slave Mode Timing – CKEG=1



SPI Transfer Control Flow Chart

I²C Interface

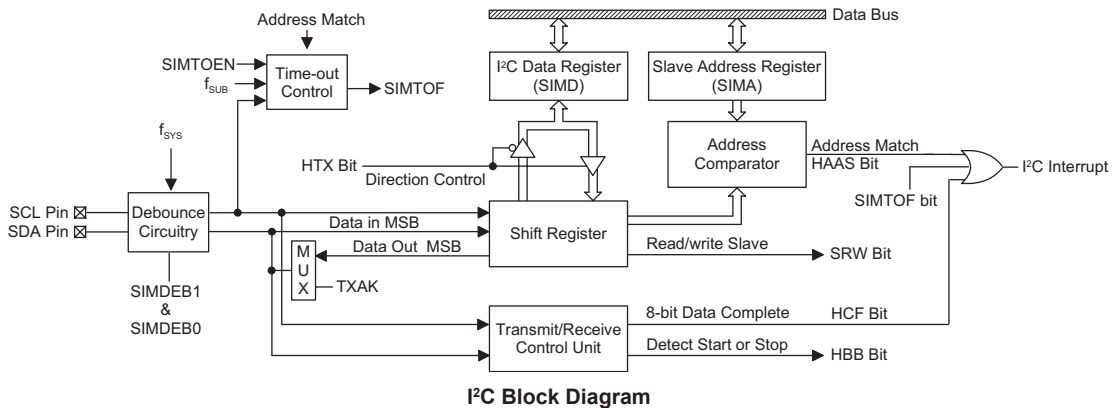
The I²C interface is used to communicate with external peripheral devices such as sensors, EEPROM memory etc. Originally developed by Philips, it is a two line low speed serial interface for synchronous serial data transfer. The advantage of only two lines for communication, relatively simple communication protocol and the ability to accommodate multiple devices on the same bus has made it an extremely popular interface type for many applications.

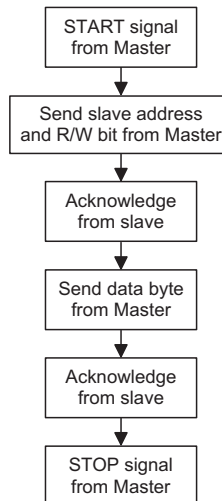


I²C interface Operation

The I²C serial interface is a two line interface, a serial data line, SDA, and serial clock line, SCL. As many devices may be connected together on the same bus, their outputs are both open drain types. For this reason it is necessary that external pull-high resistors are connected to these outputs. Note that no chip select line exists, as each device on the I²C bus is identified by a unique address which will be transmitted and received on the I²C bus.

When two devices communicate with each other on the bidirectional I²C bus, one is known as the master device and one as the slave device. Both master and slave can transmit and receive data, however, it is the master device that has overall control of the bus. For these devices, which only operate in slave mode, there are two methods of transferring data on the I²C bus, the slave transmit mode and the slave receive mode.





The SIMDEB1 and SIMDEB0 bits determine the debounce time of the I²C interface. This uses the system clock to in effect add a debounce time to the external clock to reduce the possibility of glitches on the clock line causing erroneous operation. The debounce time, if selected, can be chosen to be either 2 or 4 system clocks. To achieve the required I²C data transfer speed, there exists a relationship between the system clock, f_{SYS} , and the I²C debounce time. For either the I²C Standard or Fast mode operation, users must take care of the selected system clock frequency and the configured debounce time to match the criterion shown in the following table.

I ² C Debounce Time Selection	I ² C Standard Mode (100kHz)	I ² C Fast Mode (400kHz)
No Devounce	$f_{SYS} > 2 \text{ MHz}$	$f_{SYS} > 5 \text{ MHz}$
2 system clock debounce	$f_{SYS} > 4 \text{ MHz}$	$f_{SYS} > 10 \text{ MHz}$
4 system clock debounce	$f_{SYS} > 8 \text{ MHz}$	$f_{SYS} > 20 \text{ MHz}$

I²C Minimum f_{SYS} Frequency

I²C Registers

There are three control registers associated with the I²C bus, SIMC0, SIMC1 and SIMA, and one data register, SIMD. The SIMD register, which is shown in the above SPI section, is used to store the data being transmitted and received on the I²C bus. Before the microcontroller writes data to the I²C bus, the actual data to be transmitted must be placed in the SIMD register. After the data is received from the I²C bus, the microcontroller can read it from the SIMD register. Any transmission or reception of data from the I²C bus must be made via the SIMD register.

Note that the SIMA register also has the name SIMC2 which is used by the SPI function. Bit SIMEN and bits SIM2~SIM0 in register SIMC0 are used by the I²C interface.

Register Name	Bit							
	7	6	5	4	3	2	1	0
SIMC0	SIM2	SIM1	SIM0	—	SIMDEB1	SIMDEB0	SIMEN	SIMICF
SIMC1	HCF	HAAS	HBB	HTX	TXAK	SRW	IAMWU	RXAK
SIMA	IICA6	IICA5	IICA4	IICA3	IICA2	IICA1	IICA0	D0
SIMD	D7	D6	D5	D4	D3	D2	D1	D0
SIMTOC	SIMTOEN	SIMTOF	SIMTOS5	SIMTOS4	SIMTOS3	SIMTOS2	SIMTOS1	SIMTOS0

I²C Registers List

• **SIMD Register**

The SIMD register is used to store the data being transmitted and received. The same register is used by both the SPI and I²C functions. Before the device writes data to the I²C bus, the actual data to be transmitted must be placed in the SIMD register. After the data is received from the I²C bus, the device can read it from the SIMD register. Any transmission or reception of data from the I²C bus must be made via the SIMD register.

Bit	7	6	5	4	3	2	1	0
Name	D7	D6	D5	D4	D3	D2	D1	D0
R/W	R/W	R/W	R/W	R/W	R/W	R/W	R/W	R/W
POR	x	x	x	x	x	x	x	x

"x": unknown

• **SIMA Register**

The SIMA register is also used by the SPI interface but has the name SIMC2. The SIMA register is the location where the 7-bit slave address of the slave device is stored. Bits 7~1 of the SIMA register define the device slave address. Bit 0 is not defined.

When a master device, which is connected to the I²C bus, sends out an address, which matches the slave address in the SIMA register, the slave device will be selected. Note that the SIMA register is the same register address as SIMC2 which is used by the SPI interface.

Bit	7	6	5	4	3	2	1	0
Name	IICA6	IICA5	IICA4	IICA3	IICA2	IICA1	IICA0	D0
R/W	R/W	R/W	R/W	R/W	R/W	R/W	R/W	R/W
POR	x	x	x	x	x	x	x	x

"x": unknown

Bit 7~1 **IICA6~IICA0**: I²C slave address
IICA6~IICA0 is the I²C slave address bit 6~bit 0

Bit 0 Undefined bit
The bit can be read or written by the application program.

There are also two control registers for the I²C interface, SIMC0 and SIMC1. The register SIMC0 is used to control the enable/disable function and to set the data transmission clock frequency. The SIMC1 register contains the relevant flags which are used to indicate the I²C communication status.

• **SIMC0 Register**

Bit	7	6	5	4	3	2	1	0
Name	SIM2	SIM1	SIM0	—	SIMDEB1	SIMDEB0	SIMEN	SIMICF
R/W	R/W	R/W	R/W	—	R/W	R/W	R/W	R/W
POR	1	1	1	—	0	0	0	0

Bit 7~5 **SIM2~SIM0**: SIM Operating Mode Control
 000: SPI master mode; SPI clock is $f_{SYS}/4$
 001: SPI master mode; SPI clock is $f_{SYS}/16$
 010: SPI master mode; SPI clock is $f_{SYS}/64$
 011: SPI master mode; SPI clock is f_{SUB}
 100: SPI master mode; SPI clock is CTM0 CCRP match frequency/2
 101: SPI slave mode
 110: I²C slave mode
 111: Non SIM function

These bits setup the overall operating mode of the SIM function. As well as selecting if the I²C or SPI function, they are used to control the SPI Master/Slave selection and the SPI Master clock frequency. The SPI clock is a function of the system clock and f_{SUB} but can also be chosen to be sourced from TM0. If the SPI Slave Mode is selected then the clock will be supplied by an external Master device.

- Bit 4 Unimplemented, read as "0"
- Bit 3~2 **SIMDEB1~SIMDEB0**: I²C Debounce Time Selection
 - 00: No debounce
 - 01: 2 system clock debounce
 - 1x: 4 system clock debounce

- Bit 1 **SIMEN**: SIM Enable Control
 - 0: Disable
 - 1: Enable

The bit is the overall on/off control for the SIM interface. When the SIMEN bit is cleared to zero to disable the SIM interface, the SDI, SDO, SCK and \overline{SCS} , or SDA and SCL lines will lose their SPI or I²C function and the SIM operating current will be reduced to a minimum value. When the bit is high the SIM interface is enabled. The SIM configuration option must have first enabled the SIM interface for this bit to be effective. If the SIM is configured to operate as an SPI interface via the SIM2~SIM0 bits, the contents of the SPI control registers will remain at the previous settings when the SIMEN bit changes from low to high and should therefore be first initialised by the application program. If the SIM is configured to operate as an I²C interface via the SIM2~SIM0 bits and the SIMEN bit changes from low to high, the contents of the I²C control bits such as HTX and TXAK will remain at the previous settings and should therefore be first initialised by the application program while the relevant I²C flags such as HCF, HAAS, HBB, SRW and RXAK will be set to their default states.

- Bit 0 **SIMICF**: SIM Incomplete Flag
 - 0: SIM incomplete condition not occurred
 - 1: SIM incomplete condition occurred

This bit is only available when the SIM is configured to operate in an SPI slave mode. If the SPI operates in the slave mode with the SIMEN and CSEN bits both being set to 1 but the \overline{SCS} line is pulled high by the external master device before the SPI data transfer is completely finished, the SIMICF bit will be set to 1 together with the TRF bit. When this condition occurs, the corresponding interrupt will occur if the interrupt function is enabled. However, the TRF bit will not be set to 1 if the SIMICF bit is set to 1 by software application program.

• **SIMC1 Register**

Bit	7	6	5	4	3	2	1	0
Name	HCF	HAAS	HBB	HTX	TXAK	SRW	IAMWU	RXAK
R/W	R	R	R	R/W	R/W	R/W	R/W	R
POR	1	0	0	0	0	0	0	1

- Bit 7 **HCF**: I²C Bus data transfer completion flag
 - 0: Data is being transferred
 - 1: Completion of an 8-bit data transfer

The HCF flag is the data transfer flag. This flag will be zero when data is being transferred. Upon completion of an 8-bit data transfer the flag will go high and an interrupt will be generated.

- Bit 6 **HAAS**: I²C Bus data transfer completion flag
 - 0: Not address match
 - 1: Address match

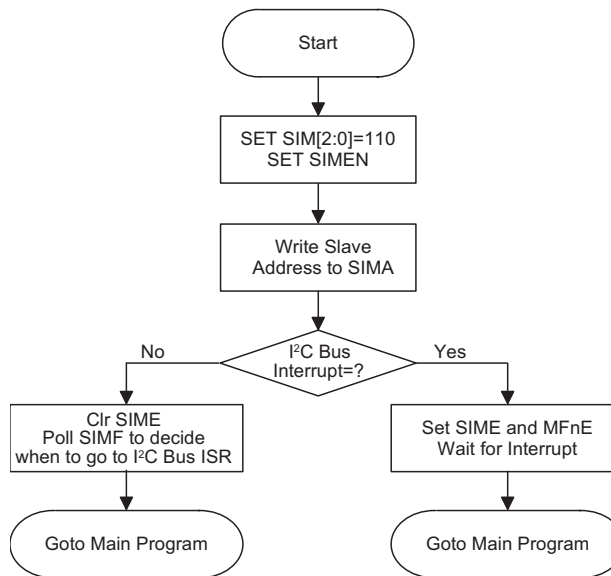
The HAAS flag is the address match flag. This flag is used to determine if the slave device address is the same as the master transmit address. If the addresses match then this bit will be high, if there is no match then the flag will be low.

- Bit 5 **HBB:** I²C Bus busy flag
 0: I²C Bus is not busy
 1: I²C Bus is busy
The HBB flag is the I²C busy flag. This flag will be "1" when the I²C bus is busy which will occur when a START signal is detected. The flag will be set to "0" when the bus is free which will occur when a STOP signal is detected.
- Bit 4 **HTX:** I²C slave device transmitter/receiver selection
 0: Slave device is the receiver
 1: Slave device is the transmitter
- Bit 3 **TXAK:** I²C bus transmit acknowledge flag
 0: Slave send acknowledge flag
 1: Slave does not send acknowledge flag
The TXAK bit is the transmit acknowledge flag. After the slave device receipt of 8-bit of data, this bit will be transmitted to the bus on the 9th clock from the slave device. The slave device must always set TXAK bit to "0" before further data is received.
- Bit 2 **SRW:** I²C slave read/write flag
 0: Slave device should be in receive mode
 1: Slave device should be in transmit mode
The SRW flag is the I²C Slave Read/Write flag. This flag determines whether the master device wishes to transmit or receive data from the I²C bus. When the transmitted address and slave address is match, that is when the HAAS flag is set high, the slave device will check the SRW flag to determine whether it should be in transmit mode or receive mode. If the SRW flag is high, the master is requesting to read data from the bus, so the slave device should be in transmit mode. When the SRW flag is zero, the master will write data to the bus, therefore the slave device should be in receive mode to read this data.
- Bit 1 **IAMWU:** I²C Address Match Wake-Up control
 0: Disable
 1: Enable – must be cleared by the application program after wake-up
This bit should be set to 1 to enable the I²C address match wake up from the SLEEP or IDLE Mode. If the IAMWU bit has been set before entering either the SLEEP or IDLE mode to enable the I²C address match wake up, then this bit must be cleared by the application program after wake-up to ensure correction device operation.
- Bit 0 **RXAK:** I²C bus receive acknowledge flag
 0: Slave receives acknowledge flag
 1: Slave does not receive acknowledge flag
The RXAK flag is the receiver acknowledge flag. When the RXAK flag is "0", it means that a acknowledge signal has been received at the 9th clock, after 8 bits of data have been transmitted. When the slave device in the transmit mode, the slave device checks the RXAK flag to determine if the master receiver wishes to receive the next byte. The slave transmitter will therefore continue sending out data until the RXAK flag is "1". When this occurs, the slave transmitter will release the SDA line to allow the master to send a STOP signal to release the I²C Bus.

I²C Bus Communication

Communication on the I²C bus requires four separate steps, a START signal, a slave device address transmission, a data transmission and finally a STOP signal. When a START signal is placed on the I²C bus, all devices on the bus will receive this signal and be notified of the imminent arrival of data on the bus. The first seven bits of the data will be the slave address with the first bit being the MSB. If the address of the slave device matches that of the transmitted address, the HAAS bit in the SIMC1 register will be set and an I²C interrupt will be generated. After entering the interrupt service routine, the slave device must first check the condition of the HAAS bit and SIMTOF bit to determine whether the interrupt source originates from an address match or from the completion of an 8-bit data transfer. During a data transfer, note that after the 7-bit slave address has been transmitted or I²C time-out, the following bit, which is the 8th bit, is the read/write bit whose value will be placed in the SRW bit. This bit will be checked by the slave device to determine whether to go into transmit or receive mode. Before any transfer of data to or from the I²C bus, the microcontroller must initialise the bus, the following are steps to achieve this:

- Step 1
Set the SIM2~SIM0 bits to "110" and SIMEN bit to "1" in the SIMC0 register to enable the I²C bus.
- Step 2
Write the slave address of the device to the I²C bus address register SIMA.
- Step 3
Set the SIME and SIM Muti-Function interrupt enable bit of the interrupt control register to enable the SIM interrupt and Multi-function interrupt.



I²C Bus Initialisation Flow Chart

I²C Bus Start Signal

The START signal can only be generated by the master device connected to the I²C bus and not by the slave device. This START signal will be detected by all devices connected to the I²C bus. When detected, this indicates that the I²C bus is busy and therefore the HBB bit will be set. A START condition occurs when a high to low transition on the SDA line takes place when the SCL line remains high.

I²C Slave Address

The transmission of a START signal by the master will be detected by all devices on the I²C bus. To determine which slave device the master wishes to communicate with, the address of the slave device will be sent out immediately following the START signal. All slave devices, after receiving this 7-bit address data, will compare it with their own 7-bit slave address. If the address sent out by the master matches the internal address of the microcontroller slave device, then an internal I²C bus interrupt signal will be generated. The next bit following the address, which is the 8th bit, defines the read/write status and will be saved to the SRW bit of the SIMC1 register. The slave device will then transmit an acknowledge bit, which is a low level, as the 9th bit. The slave device will also set the status flag HAAS when the addresses match.

As an I²C bus interrupt can come from three sources, when the program enters the interrupt subroutine, the HAAS bit and SIMTOF bit should be examined to see whether the interrupt source has come from a matching slave address or from the completion of a data byte transfer or I²C time-out. When a slave address is matched, the devices must be placed in either the transmit mode and then write data to the SIMD register, or in the receive mode where it must implement a dummy read from the SIMD register to release the SCL line.

I²C Bus Read/Write Signal

The SRW bit in the SIMC1 register defines whether the slave device wishes to read data from the I²C bus or write data to the I²C bus. The slave device should examine this bit to determine if it is to be a transmitter or a receiver. If the SRW flag is "1" then this indicates that the master device wishes to read data from the I²C bus, therefore the slave device must be setup to send data to the I²C bus as a transmitter. If the SRW flag is "0" then this indicates that the master wishes to send data to the I²C bus, therefore the slave device must be setup to read data from the I²C bus as a receiver.

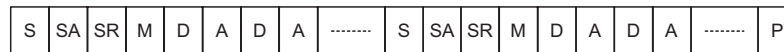
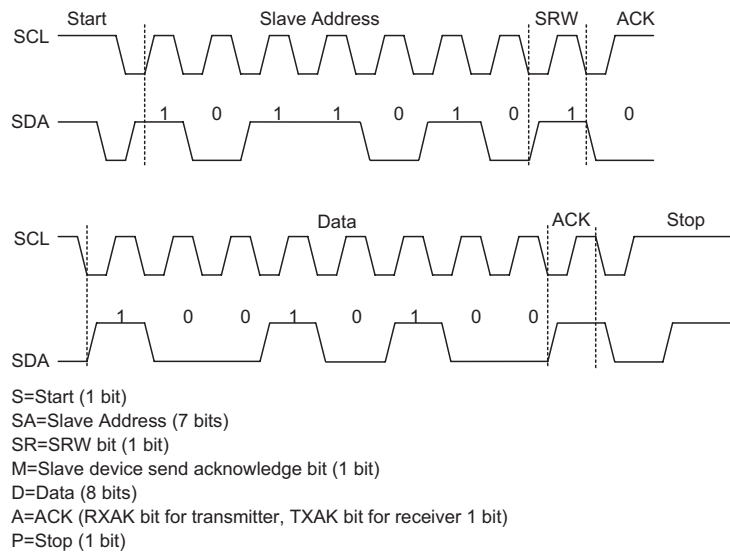
I²C Bus Slave Address Acknowledge Signal

After the master has transmitted a calling address, any slave device on the I²C bus, whose own internal address matches the calling address, must generate an acknowledge signal. The acknowledge signal will inform the master that a slave device has accepted its calling address. If no acknowledge signal is received by the master then a STOP signal must be transmitted by the master to end the communication. When the HAAS flag is high, the addresses have matched and the slave device must check the SRW flag to determine if it is to be a transmitter or a receiver. If the SRW flag is high, the slave device should be setup to be a transmitter so the HTX bit in the SIMC1 register should be set to "1". If the SRW flag is low, then the microcontroller slave device should be setup as a receiver and the HTX bit in the SIMC1 register should be set to "0".

I²C Bus Data and Acknowledge Signal

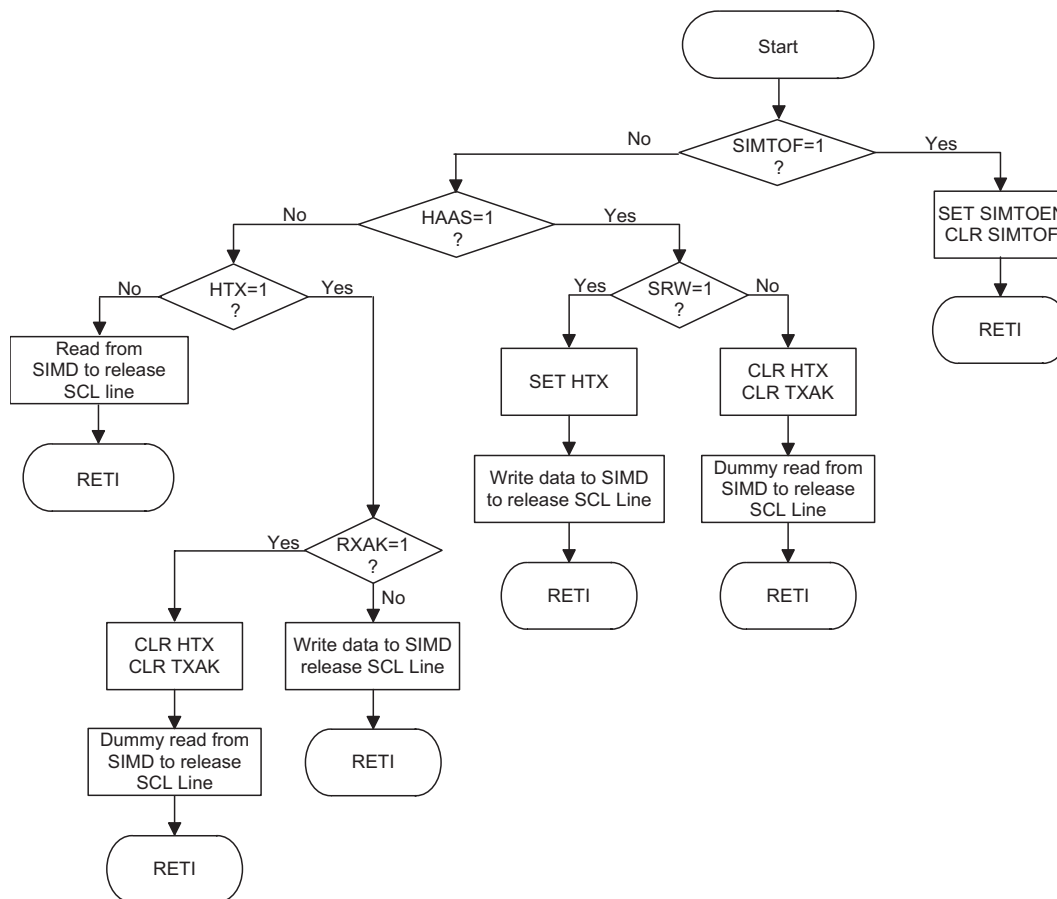
The transmitted data is 8-bit wide and is transmitted after the slave device has acknowledged receipt of its slave address. The order of serial bit transmission is the MSB first and the LSB last. After receipt of 8-bit of data, the receiver must transmit an acknowledge signal, level "0", before it can receive the next data byte. If the slave transmitter does not receive an acknowledge bit signal from the master receiver, then the slave transmitter will release the SDA line to allow the master to send a STOP signal to release the I²C Bus. The corresponding data will be stored in the SIMD register. If setup as a transmitter, the slave device must first write the data to be transmitted into the SIMD register. If setup as a receiver, the slave device must read the transmitted data from the SIMD register.

When the slave receiver receives the data byte, it must generate an acknowledge bit, known as TXAK, on the 9th clock. The slave device, which is setup as a transmitter will check the RXAK bit in the SIMC1 register to determine if it is to send another data byte, if not then it will release the SDA line and await the receipt of a STOP signal from the master.



Note: *When a slave address is matched, the device must be placed in either the transmit mode and then write data to the SIMD register, or in the receive mode where it must implement a dummy read from the SIMD register to release the SCL line.

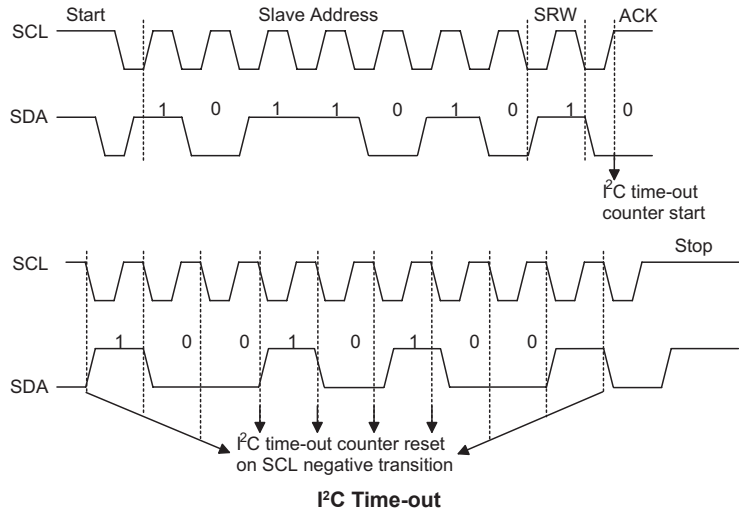
I²C Communication Timing Diagram



I²C Bus ISR Flow Chart

I²C Time-out Control

In order to reduce the I²C lockup problem due to reception of erroneous clock sources, a time-out function is provided. If the clock source connected to the I²C bus is not received for a while, then the I²C circuitry and registers will be reset after a certain time-out period. The time-out counter starts to count on an I²C bus "START" & "address match" condition, and is cleared by an SCL falling edge. Before the next SCL falling edge arrives, if the time elapsed is greater than the time-out period specified by the SIMTOC register, then a time-out condition will occur. The time-out function will stop when an I²C "STOP" condition occurs.



When an I²C time-out counter overflow occurs, the counter will stop and the SIMTOEN bit will be cleared to zero and the SIMTOF bit will be set high to indicate that a time-out condition has occurred. The time-out condition will also generate an interrupt which uses the I²C interrupt vector. When an I²C time-out occurs, the I²C internal circuitry will be reset and the registers will be reset into the following condition:

Register	After I ² C Time-out
SIMD, SIMA, SIMC0	No change
SIMC1	Reset to POR condition

I²C Register after Time-out

The SIMTOF flag can be cleared by the application program. There are 64 time-out period selections which can be selected using the SIMTOS bits in the SIMTOC register. The time-out duration is calculated by the formula: $((1-64) \times (32/f_{SUB}))$. This gives a time-out period which ranges from about 1ms to 64ms.

• **SIMTOC Register**

Bit	7	6	5	4	3	2	1	0
Name	SIMTOEN	SIMTOF	SIMTOS5	SIMTOS4	SIMTOS3	SIMTOS2	SIMTOS1	SIMTOS0
R/W	R/W	R/W	R/W	R/W	R/W	R/W	R/W	R/W
POR	0	0	0	0	0	0	0	0

Bit 7 **SIMTOEN**: SIM I²C Time-out control
 0: Disable
 1: Enable

Bit 6 **SIMTOF**: SIM I²C Time-out flag
 0: No time-out occurred
 1: Time-out occurred

Bit 5~0 **SIMTOS5~SIMTOS0**: SIM I²C Time-out period selection
 I²C Time-out clock source is $f_{SUB}/32$

$$\text{I}^2\text{C Time-out period is equal to } (\text{SIMTOS}[5:0]+1) \times \frac{32}{f_{SUB}}$$

Serial Interface – SPIA

These devices contain an independent SPI function. It is important not to confuse this independent SPI function with the additional one contained within the combined SIM function, which is described in another section of this datasheet. This independent SPI function will carry the name SPIA to distinguish it from the other one in the SIM.

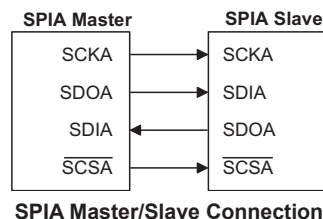
This SPIA interface is often used to communicate with external peripheral devices such as sensors, Flash or EEPROM memory devices, etc. Originally developed by Motorola, the four line SPI interface is a synchronous serial data interface that has a relatively simple communication protocol simplifying the programming requirements when communicating with external hardware devices.

The communication is full duplex and operates as a slave/master type, where the device can be either master or slave. Although the SPIA interface specification can control multiple slave devices from a single master, this device is provided only one \overline{SCSA} pin. If the master needs to control multiple slave devices from a single master, the master can use I/O pins to select the slave devices.

SPIA Interface Operation

The SPIA interface is a full duplex synchronous serial data link. It is a four line interface with pin names SDIA, SDOA, SCKA and \overline{SCSA} . Pins SDIA and SDOA are the Serial Data Input and Serial Data Output lines, SCKA is the Serial Clock line and \overline{SCSA} is the Slave Select line. As the SPIA interface pins are pin-shared with other functions, the SPIA interface pins must first be selected by configuring the corresponding selection bits in the pin-shared function selection registers. The SPIA interface function is disabled or enabled using the SPIAEN bit in the SPIAC0 register. Communication between devices connected to the SPIA interface is carried out in a slave/master mode with all data transfer initiations being implemented by the master. The master also controls the clock/signal. As the device only contains a single \overline{SCSA} pin only one slave device can be utilised.

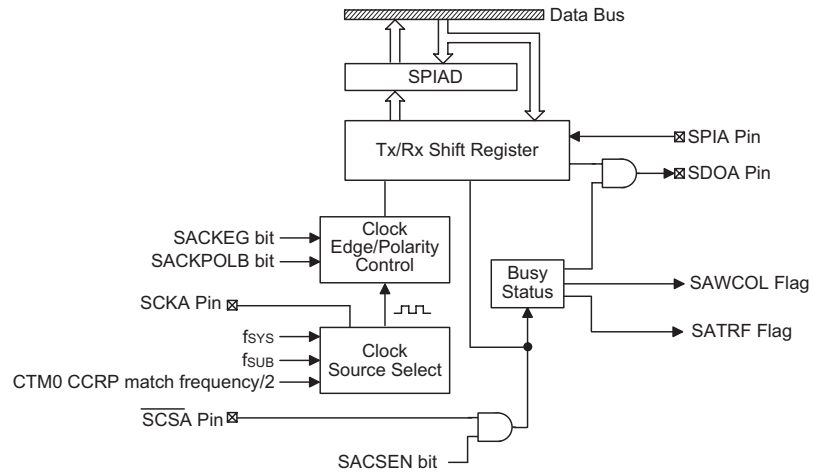
The \overline{SCSA} pin is controlled by the application program, set the the SACSSEN bit to "1" to enable the \overline{SCSA} pin function and clear the SACSSEN bit to "0" to place the \overline{SCSA} pin into an a floating condition.



The SPIA Serial Interface function includes the following features:

- Full-duplex synchronous data transfer
- Both Master and Slave mode
- LSB first or MSB first data transmission modes
- Transmission complete flag
- Rising or falling active clock edge

The status of the SPIA interface pins is determined by a number of factors such as whether the device is in the master or slave mode and upon the condition of certain control bits such as SACSSEN and SPIAEN.



SPIA Block Diagram

SPIA Registers

There are three internal registers which control the overall operation of the SPIA interface. These are the SPIAD data register and two registers SPIAC0 and SPIAC1.

Register Name	Bit							
	7	6	5	4	3	2	1	0
SPIAC0	SASPI2	SASPI1	SASPI0	—	—	—	SPIAEN	SPIAICF
SPIAC1	—	—	SACKPOLB	SACKEG	SAMLS	SACSEN	SAWCOL	SATRF
SPIAD	D7	D6	D5	D4	D3	D2	D1	D0

SPIA Registers List

SPIAD Register

The SPIAD register is used to store the data being transmitted and received. Before the device writes data to the SPIA bus, the actual data to be transmitted must be placed in the SPIAD register. After the data is received from the SPIA bus, the device can read it from the SPIAD register. Any transmission or reception of data from the SPIA bus must be made via the SPIA register.

Bit	7	6	5	4	3	2	1	0
Name	D7	D6	D5	D4	D3	D2	D1	D0
R/W	R/W	R/W	R/W	R/W	R/W	R/W	R/W	R/W
POR	x	x	x	x	x	x	x	x

"x": unknown

There are also two control registers for the SPIA interface, SPIAC0 and SPIAC1. Register SPIAC0 is used to control the enable/disable function and to set the data transmission clock frequency. Register SPIAC1 is used for other control functions such as LSB/MSB selection, write collision flag, etc.

SPIAC0 Register

Bit	7	6	5	4	3	2	1	0
Name	SASPI2	SASPI1	SASPI0	—	—	—	SPIAEN	SPIAICF
R/W	R/W	R/W	R/W	—	—	—	R/W	R/W
POR	1	1	1	—	—	—	0	0

Bit 7~5 **SASPI2~SASPI0**: SPIA Master/Slave clock select
 000: SPIA master mode with clock $f_{SYS}/4$
 001: SPIA master mode with clock $f_{SYS}/16$
 010: SPIA master mode with clock $f_{SYS}/64$
 011: SPIA master mode with clock f_{SUB}
 100: SPIA master mode with clock CTM0 CCRP match frequency/2
 101: SPIA slave mode
 11x: SPIA disable

Bit 4~2 Unimplemented, read as "0"

Bit 1 **SPIAEN**: SPIA Enable Control
 0: Disable
 1: Enable

The bit is the overall on/off control for the SPIA interface. When the SPIAEN bit is cleared to zero to disable the SPIA interface, the SDIA, SDOA, SCKA and \overline{SCSA} lines will lose the SPIA function and the SPIA operating current will be reduced to a minimum value. When the bit is high the SPIA interface is enabled.

Bit 0 **SPIAICF**: SPIA Incomplete Flag
 0: SPIA incomplete condition not occurred
 1: SPIA incomplete condition occurred

This bit is only available when the SPIA is configured to operate in an SPIA slave mode. If the SPIA operates in the slave mode with the SPIAEN and SACSSEN bits both being set to 1 but the \overline{SCSA} line is pulled high by the external master device before the SPIA data transfer is completely finished, the SPIAICF bit will be set to 1 together with the SATRF bit. When this condition occurs, the corresponding interrupt will occur if the interrupt function is enabled. However, the SATRF bit will not be set to 1 if the SPIAICF bit is set to 1 by software application program.

SPIAC1 Register

Bit	7	6	5	4	3	2	1	0
Name	—	—	SACKPOLB	SACKEG	SAMLS	SACSSEN	SAWCOL	SATRF
R/W	—	—	R/W	R/W	R/W	R/W	R/W	R/W
POR	—	—	0	0	0	0	0	0

Bit 7~6 Unimplemented, read as "0"

Bit 5 **SACKPOLB**: SPIA clock line base condition selection
 0: The SCKA line will be high when the clock is inactive.
 1: The SCKA line will be low when the clock is inactive.

The SACKPOLB bit determines the base condition of the clock line, if the bit is high, then the SCKA line will be low when the clock is inactive. When the SACKPOLB bit is low, then the SCKA line will be high when the clock is inactive.

Bit 4 **SACKEG**: SPIA SCKA clock active edge type selection
SACKPOLB=0
 0: SCKA is high base level and data capture at SCKA rising edge
 1: SCKA is high base level and data capture at SCKA falling edge
SACKPOLB=1
 0: SCKA is low base level and data capture at SCKA falling edge
 1: SCKA is low base level and data capture at SCKA rising edge

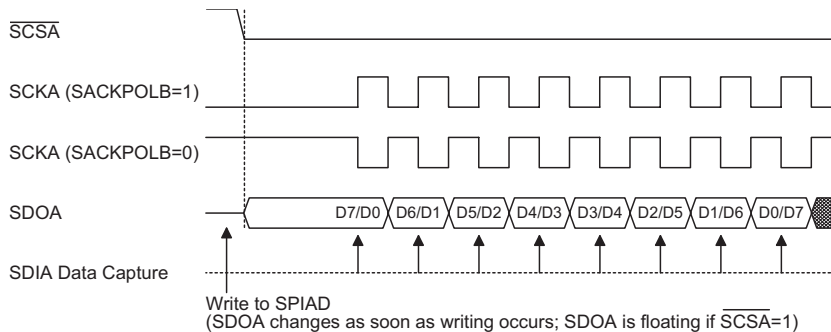
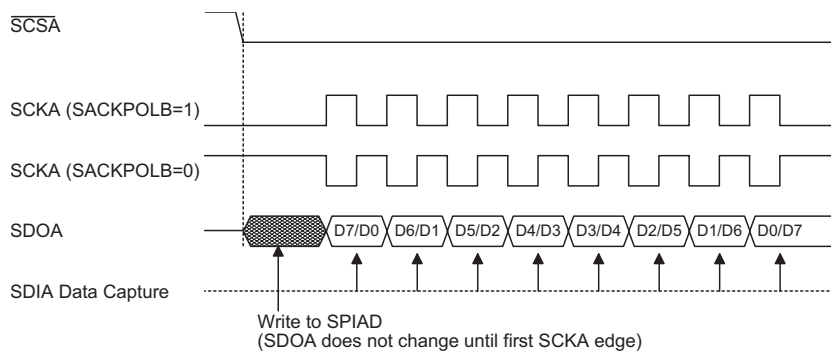
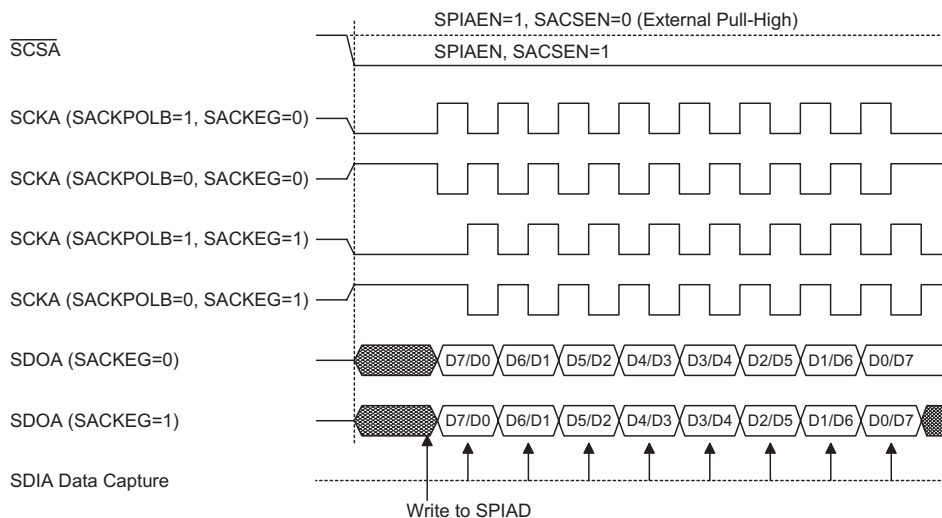
The SACKEG and SACKPOLB bits are used to setup the way that the clock signal outputs and inputs data on the SPIA bus. These two bits must be configured before data transfer is executed otherwise an erroneous clock edge may be generated. The SACKPOLB bit determines the base condition of the clock line, if the bit is high, then the SCKA line will be low when the clock is inactive. When the SACKPOLB bit is low, then the SCKA line will be high when the clock is inactive. The SACKEG bit determines active clock edge type which depends upon the condition of SACKPOLB bit.

- Bit 3 SAML5:** SPIA data shift order
 0: LSB first
 1: MSB first
- This is the data shift select bit and is used to select how the data is transferred, either MSB or LSB first. Setting the bit high will select MSB first and low for LSB first.
- Bit 2 SACS5EN:** SPIA \overline{SCSA} pin control
 0: Disable
 1: Enable
- The $\overline{SACS5EN}$ bit is used as an enable/disable for the \overline{SCSA} pin. If this bit is low, then the \overline{SCSA} pin function will be disabled and can be placed into a floating condition. If the bit is high, the \overline{SCSA} pin will be enabled and used as a select pin.
- Bit 1 SAWCOL:** SPIA write collision flag
 0: No collision
 1: Collision
- The SAWCOL flag is used to detect whether a data collision has occurred or not. If this bit is high, it means that data has been attempted to be written to the SPIAD register during a data transfer operation. This writing operation will be ignored if data is being transferred. This bit can be cleared by the application program.
- Bit 0 SATRF:** SPIA Transmit/Receive complete flag
 0: SPIA data is being transferred
 1: SPIA data transfer is completed
- The SATRF bit is the Transmit/Receive Complete flag and is set to 1 automatically when an SPIA data transfer is completed, but must be cleared to 0 by the application program. It can be used to generate an interrupt.

SPIA Communication

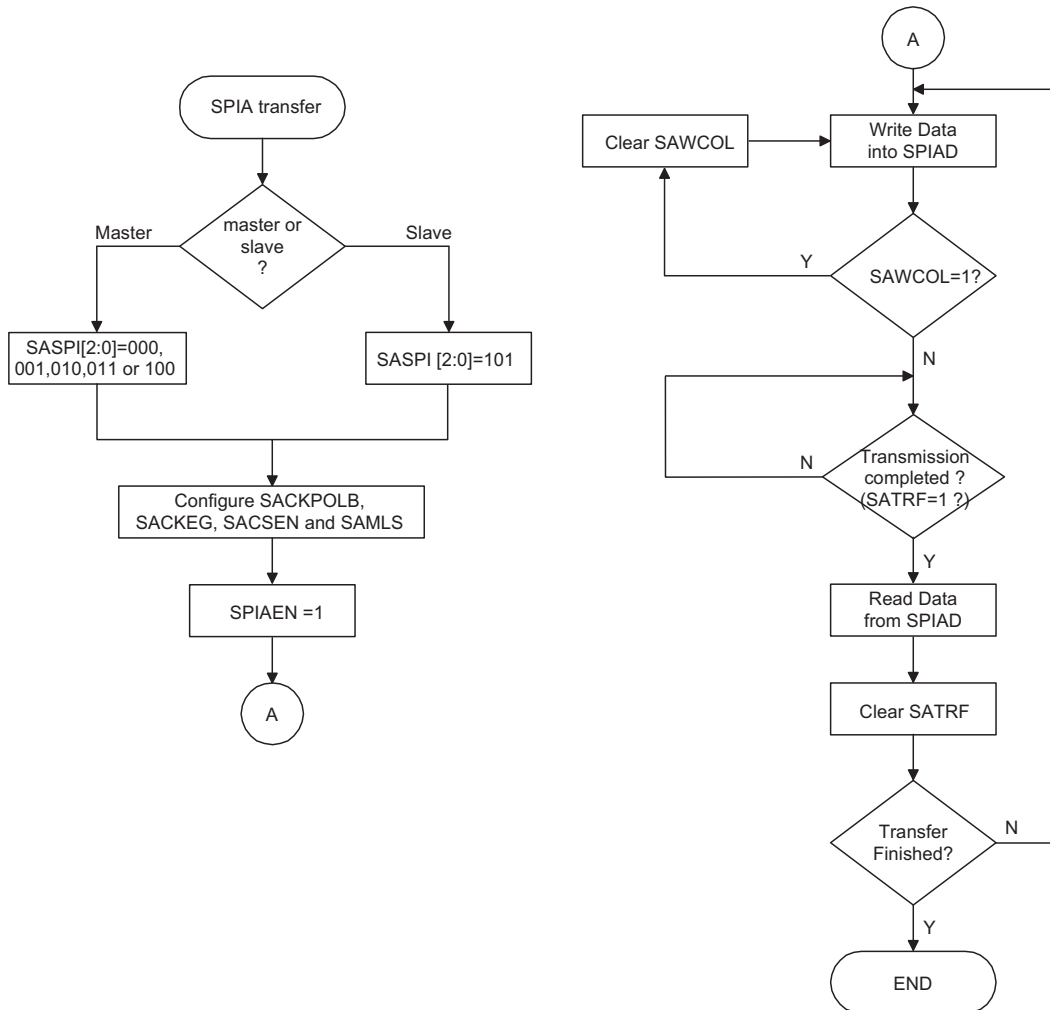
After the SPIA interface is enabled by setting the SPIAEN bit high, then in the Master Mode, when data is written to the SPIAD register, transmission/reception will begin simultaneously. When the data transfer is complete, the SATRF flag will be set automatically, but must be cleared using the application program. In the Slave Mode, when the clock signal from the master has been received, any data in the SPIAD register will be transmitted and any data on the SDIA pin will be shifted into the SPIAD registers.

The master should output a \overline{SCSA} signal to enable the slave device before a clock signal is provided. The slave data to be transferred should be well prepared at the appropriate moment relative to the \overline{SCSA} signal depending upon the configurations of the SACKPOLB bit and SACKEG bit. The accompanying timing diagram shows the relationship between the slave data and \overline{SCSA} signal for various configurations of the SACKPOLB and SACKEG bits. The SPIA will continue to function if the SPIA clock source is active.



Note: For SPIA slave mode, if $\text{SPIAEN}=1$ and $\text{SACSSEN}=0$, SPIA is always enabled and ignores the $\overline{\text{SCSA}}$ level.

SPIA Master/Slave Mode Timing Diagram



SPIA Transfer Control Flow Chart

SPIA Bus Enable/Disable

To enable the SPIA bus, set SACSEN=1 and \overline{SCSA} =0, then wait for data to be written into the SPIAD (TXRX buffer) register. For the Master Mode, after data has been written to the SPIAD (TXRX buffer) register, then transmission or reception will start automatically. When all the data has been transferred the SATRF bit should be set. For the Slave Mode, when clock pulses are received on SCKA, data in the TXRX buffer will be shifted out or data on SDIA will be shifted in.

When the SPIA bus is disabled, the SCKA, SDIA, SDOA and \overline{SCSA} pins can become I/O pins or other pin-shared functions using the corresponding pin-shared function control bits.

SPIA Operation

All communication is carried out using the 4-line interface for either Master or Slave Mode.

The SACSEN bit in the SPIAC1 register controls the overall function of the SPIA interface. Setting this bit high will enable the SPIA interface by allowing the $\overline{\text{SCSA}}$ line to be active, which can then be used to control the SPIA interface. If the SACSEN bit is low, the SPIA interface will be disabled and the $\overline{\text{SCSA}}$ line will be in a floating condition and can therefore not be used for control of the SPIA interface. If the SACSEN bit and the SPIAEN bit in the SPIAC0 register are set high, this will place the SDIA line in a floating condition and the SDOA line high. If in Master Mode the SCKA line will be either high or low depending upon the clock polarity selection bit SACKPOLB in the SPIAC1 register. If in Slave Mode the SCKA line will be in a floating condition. If SPIAEN is low then the bus will be disabled and $\overline{\text{SCSA}}$, SDIA, SDOA and SCKA pins will all become I/O pins or other pin-shared functions using the corresponding pin-shared function control bits. In the Master Mode the Master will always generate the clock signal. The clock and data transmission will be initiated after data has been written into the SPIAD register. In the Slave Mode, the clock signal will be received from an external master device for both data transmission and reception. The following sequences show the order to be followed for data transfer in both Master and Slave Mode.

Master Mode:

- Step 1
Select the clock source and Master mode using the SASPI2~SASPI0 bits in the SPIAC0 control register.
- Step 2
Setup the SACSEN bit and setup the SAMLS bit to choose if the data is MSB or LSB shifted first, this must be same as the Slave device.
- Step 3
Setup the SPIAEN bit in the SPIAC0 control register to enable the SPIA interface.
- Step 4
For write operations: write the data to the SPIAD register, which will actually place the data into the TXRX buffer. Then use the SCKA and $\overline{\text{SCSA}}$ lines to output the data. After this go to step 5.
For read operations: the data transferred in on the SDIA line will be stored in the TXRX buffer until all the data has been received at which point it will be latched into the SPIAD register.
- Step 5
Check the SAWCOL bit if set high then a collision error has occurred so return to step 4. If equal to zero then go to the following step.
- Step 6
Check the SATRF bit or wait for a SPIA serial bus interrupt.
- Step 7
Read data from the SPIAD register.
- Step 8
Clear SATRF.
- Step 9
Go to step 4.

Slave Mode:

- Step 1
Select the SPI Slave mode using the SASPI2~SASPI0 bits in the SPIAC0 control register
- Step 2
Setup the SACSEN bit and setup the SAML5 bit to choose if the data is MSB or LSB shifted first, this setting must be the same with the Master device.
- Step 3
Setup the SPIAEN bit in the SPIAC0 control register to enable the SPIA interface.
- Step 4
For write operations: write the data to the SPIAD register, which will actually place the data into the TXRX buffer. Then wait for the master clock SCKA and $\overline{\text{SCSA}}$ signal. After this, go to step 5.
For read operations: the data transferred in on the SDIA line will be stored in the TXRX buffer until all the data has been received at which point it will be latched into the SPIAD register.
- Step 5
Check the SAWCOL bit if set high then a collision error has occurred so return to step 4. If equal to zero then go to the following step.
- Step 6
Check the SATRF bit or wait for a SPIA serial bus interrupt.
- Step 7
Read data from the SPIAD register.
- Step 8
Clear SATRF.
- Step 9
Go to step 4.

Error Detection

The SAWCOL bit in the SPIAC1 register is provided to indicate errors during data transfer. The bit is set by the SPIA serial Interface but must be cleared by the application program. This bit indicates a data collision has occurred which happens if a write to the SPIAD register takes place during a data transfer operation and will prevent the write operation from continuing.

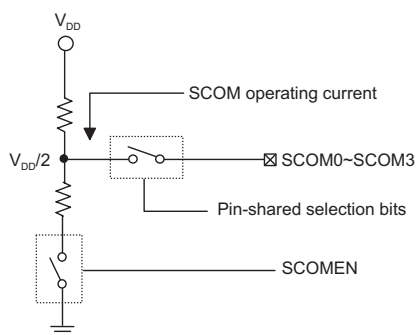
SCOM Function for LCD – HT66FV150/HT66FV160

These devices have the capability of driving external LCD panels. The common pins for LCD driving, SCOM0~SCOM3, are pin shared with the I/O pins. The LCD signals (COM and SEG) are generated using the application program. The SCOM function is integrated in the HT66FV150 and HT66FV160 devices.

LCD Operation

An external LCD panel can be driven using this device by configuring the I/O pins as common pins and using other output ports lines as segment pins. The LCD driver function is controlled using the SCOMC register which in addition to controlling the overall on/off function also controls the bias voltage setup function. This enables the LCD COM driver to generate the necessary $V_{DD}/2$ voltage levels for LCD 1/2 bias operation.

The SCOMEN bit in the SCOMC register is the overall master control for the LCD driver. The LCD SCOMn pin is selected to be used for LCD driving by the corresponding pin-shared function selection bits. Note that the Port Control register does not need to first setup the pins as outputs to enable the LCD driver operation.



LCD COM Bias

LCD Bias Control

The LCD COM driver enables a range of selections to be provided to suit the requirement of the LCD panel which is being used. The bias resistor choice is implemented using the ISEL1 and ISEL0 bits in the SCOMC register.

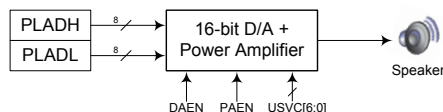
SCOMC Register

Bit	7	6	5	4	3	2	1	0
Name	—	ISEL1	ISEL0	SCOMEN	—	—	—	—
R/W	—	R/W	R/W	R/W	—	—	—	—
POR	—	0	0	0	—	—	—	—

- Bit 7 Unimplemented, read as "0"
- Bit 6~5 **ISEL1~ISEL0**: Select SCOM typical bias current ($V_{DD}=5V$)
 - 00: 25 μ A
 - 01: 50 μ A
 - 10: 100 μ A
 - 11: 200 μ A
- Bit 4 **SCOMEN**: SCOM Function enable control
 - 0: Disable
 - 1: Enable
- Bit 3~0 Unimplemented, read as "0"

Voice Playing Controller

These devices contain a fully integrated 16-bit D/A converter complete with volume control together with a power amplifier. The voice data located in the PLADH and PLADL register pair can be output to the external speaker using the 16-bit D/A converter. The power amplifier offers the possibility of directly driving external speakers. The volume control can be adjusted using the USVC [6:0] bits.



Voice Playing Controller Block Diagram

Voice Controller Registers

The overall voice play function is controlled using a series of registers. Two control registers exist to control the 16-bit D/A converter and power amplifier functions together with the speaker mute control. Two data register pairs exist to store the data which is to be played.

Register Name	Bit							
	7	6	5	4	3	2	1	0
USVC	MUTEB	USVC6	USVC5	USVC4	USVC3	USVC2	USVC1	USVC0
PLAC	—	—	—	—	—	—	PAEN	DAEN
PLADL	P_D7	P_D6	P_D5	P_D4	P_D3	P_D2	P_D1	P_D0
PLADH	P_D15	P_D14	P_D13	P_D12	P_D11	P_D10	P_D9	P_D8

Voice Playing Controller Registers List

USVC Register

Bit	7	6	5	4	3	2	1	0
Name	MUTEB	USVC6	USVC5	USVC4	USVC3	USVC2	USVC1	USVC0
R/W	R/W	R/W	R/W	R/W	R/W	R/W	R/W	R/W
POR	0	0	0	0	0	0	0	0

Bit 7 **MUTEB**: Speaker Mute control

- 0: Mute speaker output
- 1: Enable speaker output

This bit is used to enable the speaker function. When this bit is cleared to 0, the speaker function will be disabled. The D/A converter and power amplifier will also be disabled.

Bit 6~0	USVC6~USVC0: Speaker volume control	
	000_1100: Gain ≈ 6.0 dB	110_1110: Gain ≈ -9.0 dB
	000_1011: Gain ≈ 5.5 dB	110_1101: Gain ≈ -9.5 dB
	000_1010: Gain ≈ 5.0 dB	110_1100: Gain ≈ -10.0 dB
	000_1001: Gain ≈ 4.5 dB	110_1011: Gain ≈ -10.5 dB
	000_1000: Gain ≈ 4.0 dB	110_1010: Gain ≈ -11.0 dB
	000_0111: Gain ≈ 3.5 dB	110_1001: Gain ≈ -11.5 dB
	000_0110: Gain ≈ 3.0 dB	110_1000: Gain ≈ -12.0 dB
	000_0101: Gain ≈ 2.5 dB	110_0111: Gain ≈ -13.0 dB
	000_0100: Gain ≈ 2.0 dB	110_0110: Gain ≈ -14.0 dB
	000_0011: Gain ≈ 1.5 dB	110_0101: Gain ≈ -15.0 dB
	000_0010: Gain ≈ 1.0 dB	110_0100: Gain ≈ -16.0 dB
	000_0001: Gain ≈ 0.5 dB	110_0011: Gain ≈ -17.0 dB
	000_0000: Gain ≈ 0.0 dB	110_0010: Gain ≈ -18.0 dB
	111_1111: Gain ≈ -0.5 dB	110_0001: Gain ≈ -19.0 dB
	111_1110: Gain ≈ -1.0 dB	110_0000: Gain ≈ -20.0 dB
	111_1101: Gain ≈ -1.5 dB	101_1111: Gain ≈ -21.0 dB
	111_1100: Gain ≈ -2.0 dB	101_1110: Gain ≈ -22.0 dB
	111_1011: Gain ≈ -2.5 dB	101_1101: Gain ≈ -23.0 dB
	111_1010: Gain ≈ -3.0 dB	101_1100: Gain ≈ -24.0 dB
	111_1001: Gain ≈ -3.5 dB	101_1011: Gain ≈ -25.0 dB
	111_1000: Gain ≈ -4.0 dB	101_1010: Gain ≈ -26.0 dB
	111_0111: Gain ≈ -4.5 dB	101_1001: Gain ≈ -27.0 dB
	111_0110: Gain ≈ -5.0 dB	101_1000: Gain ≈ -28.0 dB
	111_0101: Gain ≈ -5.5 dB	101_0111: Gain ≈ -29.0 dB
	111_0100: Gain ≈ -6.0 dB	101_0110: Gain ≈ -30.0 dB
	111_0011: Gain ≈ -6.5 dB	101_0101: Gain ≈ -31.0 dB
	111_0010: Gain ≈ -7.0 dB	101_0100: Gain ≈ -32.0 dB
	111_0001: Gain ≈ -7.5 dB	Others: Reserved
	111_0000: Gain ≈ -8.0 dB	
	110_1111: Gain ≈ -8.5 dB	

These bits are used to control the output volume which ranges from -32dB~6dB.

PLAC Register

Bit	7	6	5	4	3	2	1	0
Name	—	—	—	—	—	—	PAEN	DAEN
R/W	—	—	—	—	—	—	R/W	R/W
POR	—	—	—	—	—	—	0	0

Bit 7~2 Unimplemented, read as "0"

Bit 1 **PAEN**: Power Amplifier Enable control
 0: Disable
 1: Enable

Bit 0 **DAEN**: 16-bit D/A converter Enable control
 0: Disable
 1: Enable

Note that the 16-bit D/A converter and power amplifier will all be disabled when the MCU enters the Power down Mode.

PLADL Register

Bit	7	6	5	4	3	2	1	0
Name	P_D7	P_D6	P_D5	P_D4	P_D3	P_D2	P_D1	P_D0
R/W	R/W	R/W	R/W	R/W	R/W	R/W	R/W	R/W
POR	0	0	0	0	0	0	0	0

Bit 7~0 **P_D7~P_D0**: Play data low byte register bit 7~bit 0

This register is used to store the 16-bit play data low byte. Note that the low byte play data register should first be modified followed by the high byte play data register being written if the 16-bit play data is necessary to be updated.

PLADH Register

Bit	7	6	5	4	3	2	1	0
Name	P_D15	P_D14	P_D13	P_D12	P_D11	P_D10	P_D9	P_D8
R/W	R/W	R/W	R/W	R/W	R/W	R/W	R/W	R/W
POR	0	0	0	0	0	0	0	0

Bit 7~0 **P_D15~P_D8**: Played data high byte register bit 7~bit 0

This register is used to store the 16-bit play data high byte data. Note that the low byte play data register should first be modified followed by the high byte play data register being written if the 16-bit play data is necessary to be updated.

Interrupts

Interrupts are an important part of any microcontroller system. When an external event or an internal function such as a Timer Module or an A/D converter requires microcontroller attention, their corresponding interrupt will enforce a temporary suspension of the main program allowing the microcontroller to direct attention to their respective needs. These devices contain several external interrupt and internal interrupts functions. The external interrupts are generated by the action of the external INT0 and INT1 pins, while the internal interrupts are generated by various internal functions such as the TMs, Time Base, LVD, EEPROM, SIM, UART and the A/D converter, etc.

Interrupt Registers

Overall interrupt control, which basically means the setting of request flags when certain microcontroller conditions occur and the setting of interrupt enable bits by the application program, is controlled by a series of registers, located in the Special Purpose Data Memory, as shown in the accompanying table. The number of registers depends upon the device chosen but fall into three categories. The first is the INTC0~INTC2 registers which setup the primary interrupts, the second is the MFI0~MFI3 registers which setup the Multi-function interrupts. Finally there is an INTEG register to setup the external interrupt trigger edge type.

Each register contains a number of enable bits to enable or disable individual interrupts as well as interrupt flags to indicate the presence of an interrupt request. The naming convention of these follows a specific pattern. First is listed an abbreviated interrupt type, then the (optional) number of that interrupt followed by either an "E" for enable/disable bit or "F" for request flag.

Function	Enable Bit	Request Flag	Notes
Global	EMI	—	—
INTn Pins	INTnE	INTnF	n=0~1
Multi-function	MFnE	MFnF	n=0, 1, 3
A/D Converter	ADE	ADF	—
Time Base	TBnE	TBnF	n=0~1
LVD	LVE	LVF	—
EEPROM write operation	DEE	DEF	—
SPIA	SPIAE	SPIAF	—
CTM	CTMnPE	CTMnPF	n=0
	CTMnAE	CTMnAF	
PTM	PTMnPE	PTMnPF	n=0
	PTMnAE	PTMnAF	

Interrupt Register Bit Naming Conventions – HT66FV130

Function	Enable Bit	Request Flag	Notes
Global	EMI	—	—
INTn Pins	INTnE	INTnF	n=0~1
Multi-function	MFnE	MFnF	n=0~3
A/D Converter	ADE	ADF	—
Time Base	TBnE	TBnF	n=0~1
LVD	LVE	LVF	—
EEPROM write operation	DEE	DEF	—
SIM	SIME	SIMF	—
SPIA	SPIAE	SPIAF	—
CTM	CTMnPE	CTMnPF	n=0
	CTMnAE	CTMnAF	
PTM	PTMnPE	PTMnPF	n=0~1
	PTMnAE	PTMnAF	

Interrupt Register Bit Naming Conventions – HT66FV140

Function	Enable Bit	Request Flag	Notes
Global	EMI	—	—
INTn Pins	INTnE	INTnF	n=0~1
Multi-function	MFnE	MFnF	n=0~3
A/D Converter	ADE	ADF	—
Time Base	TBnE	TBnF	n=0~1
UART	URE	URF	—
LVD	LVE	LVF	—
EEPROM write operation	DEE	DEF	—
SIM	SIME	SIMF	—
SPIA	SPIAE	SPIAF	—
CTM	CTMnPE	CTMnPF	n=0~1
	CTMnAE	CTMnAF	
PTM	PTMnPE	PTMnPF	n=0~1
	PTMnAE	PTMnAF	

Interrupt Register Bit Naming Conventions – HT66FV150

Function	Enable Bit	Request Flag	Notes
Global	EMI	—	—
INTn Pins	INTnE	INTnF	n=0~1
Multi-function	MFnE	MFnF	n=0~3
A/D Converter	ADE	ADF	—
Time Base	TBnE	TBnF	n=0~1
UART	URE	URF	—
LVD	LVE	LVF	—
EEPROM write operation	DEE	DEF	—
SIM	SIME	SIMF	—
SPIA	SPIAE	SPIAF	—
CTM	CTMnPE	CTMnPF	n=0~1
	CTMnAE	CTMnAF	
STM	STMnPE	STMnPF	n=0
	STMnAE	STMnAF	
PTM	PTMnPE	PTMnPF	n=0~1
	PTMnAE	PTMnAF	

Interrupt Register Bit Naming Conventions – HT66FV160

Register Name	Bit							
	7	6	5	4	3	2	1	0
INTEG	—	—	—	—	INT1S1	INT1S0	INT0S1	INT0S0
INTC0	—	MF1F	MF0F	INT0F	MF1E	MF0E	INT0E	EMI
INTC1	TB0F	ADF	MF3F	—	TB0E	ADE	MF3E	—
INTC2	—	—	INT1F	TB1F	—	—	INT1E	TB1E
MF10	—	—	CTM0AF	CTM0PF	—	—	CTM0AE	CTM0PE
MF11	—	—	PTM0AF	PTM0PF	—	—	PTM0AE	PTM0PE
MF13	DEF	SPIAF	—	LVF	DEE	SPIAE	—	LVE

Interrupt Registers List – HT66FV130

Register Name	Bit							
	7	6	5	4	3	2	1	0
INTEG	—	—	—	—	INT1S1	INT1S0	INT0S1	INT0S0
INTC0	—	MF1F	MF0F	INT0F	MF1E	MF0E	INT0E	EMI
INTC1	TB0F	ADF	MF3F	MF2F	TB0E	ADE	MF3E	MF2E
INTC2	—	—	INT1F	TB1F	—	—	INT1E	TB1E
MF10	—	—	CTM0AF	CTM0PF	—	—	CTM0AE	CTM0PE
MF11	—	—	PTM0AF	PTM0PF	—	—	PTM0AE	PTM0PE
MF12	—	—	PTM1AF	PTM1PF	—	—	PTM1AE	PTM1PE
MF13	DEF	SPIAF	SIMF	LVF	DEE	SPIAE	SIME	LVE

Interrupt Registers List – HT66FV140

Register Name	Bit							
	7	6	5	4	3	2	1	0
INTEG	—	—	—	—	INT1S1	INT1S0	INT0S1	INT0S0
INTC0	—	MF1F	MF0F	INT0F	MF1E	MF0E	INT0E	EMI
INTC1	TB0F	ADF	MF3F	MF2F	TB0E	ADE	MF3E	MF2E
INTC2	—	URF	INT1F	TB1F	—	URE	INT1E	TB1E
MF10	CTM1AF	CTM1PF	CTM0AF	CTM0PF	CTM1AE	CTM1PE	CTM0AE	CTM0PE
MF11	—	—	PTM0AF	PTM0PF	—	—	PTM0AE	PTM0PE
MF12	—	—	PTM1AF	PTM1PF	—	—	PTM1AE	PTM1PE
MF13	DEF	SPIAF	SIMF	LVF	DEE	SPIAE	SIME	LVE

Interrupt Registers List – HT66FV150

Register Name	Bit							
	7	6	5	4	3	2	1	0
INTEG	—	—	—	—	INT1S1	INT1S0	INT0S1	INT0S0
INTC0	—	MF1F	MF0F	INT0F	MF1E	MF0E	INT0E	EMI
INTC1	TB0F	ADF	MF3F	MF2F	TB0E	ADE	MF3E	MF2E
INTC2	—	URF	INT1F	TB1F	—	URE	INT1E	TB1E
MF10	CTM1AF	CTM1PF	CTM0AF	CTM0PF	CTM1AE	CTM1PE	CTM0AE	CTM0PE
MF11	STM0AF	STM0PF	PTM0AF	PTM0PF	STM0AE	STM0PE	PTM0AE	PTM0PE
MF12	—	—	PTM1AF	PTM1PF	—	—	PTM1AE	PTM1PE
MF13	DEF	SPIAF	SIMF	LVF	DEE	SPIAE	SIME	LVE

Interrupt Registers List – HT66FV160

INTEG Register

Bit	7	6	5	4	3	2	1	0
Name	—	—	—	—	INT1S1	INT1S0	INT0S1	INT0S0
R/W	—	—	—	—	R/W	R/W	R/W	R/W
POR	—	—	—	—	0	0	0	0

- Bit 7~4 Unimplemented, read as "0"
- Bit 3~2 **INT1S1~INT1S0**: Interrupt edge control for INT1 pin
 - 00: Disable
 - 01: Rising edge
 - 10: Falling edge
 - 11: Rising and falling edges
- Bit 1~0 **INT0S1~INT0S0**: Interrupt edge control for INT0 pin
 - 00: Disable
 - 01: Rising edge
 - 10: Falling edge
 - 11: Rising and falling edges

INTC0 Register

Bit	7	6	5	4	3	2	1	0
Name	—	MF1F	MF0F	INT0F	MF1E	MF0E	INT0E	EMI
R/W	—	R/W	R/W	R/W	R/W	R/W	R/W	R/W
POR	—	0	0	0	0	0	0	0

- Bit 7 Unimplemented, read as "0"
- Bit 6 **MF1F**: Multi-function 1 interrupt request flag
 - 0: no request
 - 1: interrupt request
- Bit 5 **MF0F**: Multi-function 0 interrupt request flag
 - 0: no request
 - 1: interrupt request
- Bit 4 **INT0F**: INT0 interrupt request flag
 - 0: no request
 - 1: interrupt request
- Bit 3 **MF1E**: Multi-function 1 interrupt control
 - 0: Disable
 - 1: Enable
- Bit 2 **MF0E**: Multi-function 0 interrupt control
 - 0: Disable
 - 1: Enable
- Bit 1 **INT0E**: INT0 interrupt control
 - 0: Disable
 - 1: Enable
- Bit 0 **EMI**: Global interrupt control
 - 0: Disable
 - 1: Enable

INTC1 Register – HT66FV130

Bit	7	6	5	4	3	2	1	0
Name	TB0F	ADF	MF3F	—	TB0E	ADE	MF3E	—
R/W	R/W	R/W	R/W	—	R/W	R/W	R/W	—
POR	0	0	0	—	0	0	0	—

- Bit 7 **TB0F**: Time Base 0 interrupt request flag
 0: no request
 1: interrupt request
- Bit 6 **ADF**: A/D Converter interrupt request flag
 0: no request
 1: interrupt request
- Bit 5 **MF3F**: Multi-function 3 interrupt request flag
 0: no request
 1: interrupt request
- Bit 4 Unimplemented, read as "0"
- Bit 3 **TB0E**: Time Base 0 interrupt control
 0: Disable
 1: Enable
- Bit 2 **ADE**: A/D Converter interrupt control
 0: Disable
 1: Enable
- Bit 1 **MF3E**: Multi-function 3 interrupt control
 0: Disable
 1: Enable
- Bit 0 Unimplemented, read as "0"

INTC1 Register – HT66FV140/HT66FV150/HT66FV160

Bit	7	6	5	4	3	2	1	0
Name	TB0F	ADF	MF3F	MF2F	TB0E	ADE	MF3E	MF2E
R/W	R/W	R/W	R/W	R/W	R/W	R/W	R/W	R/W
POR	0	0	0	0	0	0	0	0

- Bit 7 **TB0F**: Time Base 0 interrupt request flag
 0: no request
 1: interrupt request
- Bit 6 **ADF**: A/D Converter interrupt request flag
 0: no request
 1: interrupt request
- Bit 5 **MF3F**: Multi-function 3 interrupt request flag
 0: no request
 1: interrupt request
- Bit 4 **MF2F**: Multi-function 2 interrupt request flag
 0: no request
 1: interrupt request
- Bit 3 **TB0E**: Time Base 0 interrupt control
 0: Disable
 1: Enable
- Bit 2 **ADE**: A/D Converter interrupt control
 0: Disable
 1: Enable

- Bit 1 **MF3E**: Multi-function 3 interrupt control
 0: Disable
 1: Enable

- Bit 0 **MF2E**: Multi-function 2 interrupt control
 0: Disable
 1: Enable

INTC2 Register – HT66FV130/HT66FV140

Bit	7	6	5	4	3	2	1	0
Name	—	—	INT1F	TB1F	—	—	INT1E	TB1E
R/W	—	—	R/W	R/W	—	—	R/W	R/W
POR	—	—	0	0	—	—	0	0

- Bit 7~6 Unimplemented, read as "0"

- Bit 5 **INT1F**: INT1 interrupt request flag
 0: no request
 1: interrupt request

- Bit 4 **TB1F**: Time Base 1 interrupt request flag
 0: no request
 1: interrupt request

- Bit 3~2 Unimplemented, read as "0"

- Bit 1 **INT1E**: INT1 interrupt control
 0: Disable
 1: Enable

- Bit 0 **TB1E**: Time Base 1 interrupt control
 0: Disable
 1: Enable

INTC2 Register – HT66FV150/HT66FV160

Bit	7	6	5	4	3	2	1	0
Name	—	URF	INT1F	TB1F	—	URE	INT1E	TB1E
R/W	—	R/W	R/W	R/W	—	R/W	R/W	R/W
POR	—	0	0	0	—	0	0	0

- Bit 7 Unimplemented, read as "0"

- Bit 6 **URF**: UART transfer interrupt request flag
 0: No request
 1: Interrupt request

- Bit 5 **INT1F**: INT1 interrupt request flag
 0: No request
 1: Interrupt request

- Bit 4 **TB1F**: Time Base 1 interrupt request flag
 0: No request
 1: Interrupt request

- Bit 3 Unimplemented, read as "0"

- Bit 2 **URE**: UART transfer interrupt control
 0: Disable
 1: Enable

- Bit 1 **INT1E**: INT1 interrupt control
 0: Disable
 1: Enable

- Bit 0 **TB1E**: Time Base 1 interrupt control
 0: Disable
 1: Enable

MFI0 Register – HT66FV130/HT66FV140

Bit	7	6	5	4	3	2	1	0
Name	—	—	CTM0AF	CTM0PF	—	—	CTM0AE	CTM0PE
R/W	—	—	R/W	R/W	—	—	R/W	R/W
POR	—	—	0	0	—	—	0	0

- Bit 7~6 Unimplemented, read as "0"
- Bit 5 **CTM0AF**: CTM0 Comparator A match Interrupt request flag
0: No request
1: Interrupt request
- Bit 4 **CTM0PF**: CTM0 Comparator P match Interrupt request flag
0: No request
1: Interrupt request
- Bit 3~2 Unimplemented, read as "0"
- Bit 1 **CTM0AE**: CTM0 Comparator A match Interrupt control
0: Disable
1: Enable
- Bit 0 **CTM0PE**: CTM0 Comparator P match Interrupt control
0: Disable
1: Enable

MFI0 Register – HT66FV150/HT66FV160

Bit	7	6	5	4	3	2	1	0
Name	CTM1AF	CTM1PF	CTM0AF	CTM0PF	CTM1AE	CTM1PE	CTM0AE	CTM0PE
R/W	R/W	R/W	R/W	R/W	R/W	R/W	R/W	R/W
POR	0	0	0	0	0	0	0	0

- Bit 7 **CTM1AF**: CTM1 Comparator A match Interrupt request flag
0: No request
1: Interrupt request
- Bit 6 **CTM1PF**: CTM1 Comparator P match Interrupt request flag
0: No request
1: Interrupt request
- Bit 5 **CTM0AF**: CTM0 Comparator A match Interrupt request flag
0: No request
1: Interrupt request
- Bit 4 **CTM0PF**: CTM0 Comparator P match Interrupt request flag
0: No request
1: Interrupt request
- Bit 3 **CTM1AE**: CTM1 Comparator A match Interrupt control
0: Disable
1: Enable
- Bit 2 **CTM1PE**: CTM1 Comparator P match Interrupt control
0: Disable
1: Enable
- Bit 1 **CTM0AE**: CTM0 Comparator A match Interrupt control
0: Disable
1: Enable
- Bit 0 **CTM0PE**: CTM0 Comparator P match Interrupt control
0: Disable
1: Enable

MF1 Register – HT66FV130/HT66FV140/HT66FV150

Bit	7	6	5	4	3	2	1	0
Name	—	—	PTM0AF	PTM0PF	—	—	PTM0AE	PTM0PE
R/W	—	—	R/W	R/W	—	—	R/W	R/W
POR	—	—	0	0	—	—	0	0

- Bit 7~6 Unimplemented, read as "0"
- Bit 5 **PTM0AF**: PTM0 Comparator A match Interrupt request flag
 0: No request
 1: Interrupt request
- Bit 4 **PTM0PF**: PTM0 Comparator P match Interrupt request flag
 0: No request
 1: Interrupt request
- Bit 3~2 Unimplemented, read as "0"
- Bit 1 **PTM0AE**: PTM0 Comparator A match Interrupt control
 0: Disable
 1: Enable
- Bit 0 **PTM0PE**: PTM0 Comparator P match Interrupt control
 0: Disable
 1: Enable

MF1 Register – HT66FV160

Bit	7	6	5	4	3	2	1	0
Name	STM0AF	STM0PF	PTM0AF	PTM0PF	STM0AE	STM0PE	PTM0AE	PTM0PE
R/W	R/W	R/W	R/W	R/W	R/W	R/W	R/W	R/W
POR	0	0	0	0	0	0	0	0

- Bit 7 **STM0AF**: STM0 Comparator A match Interrupt request flag
 0: No request
 1: Interrupt request
- Bit 6 **STM0PF**: STM0 Comparator P match Interrupt request flag
 0: No request
 1: Interrupt request
- Bit 5 **PTM0AF**: PTM0 Comparator A match Interrupt request flag
 0: No request
 1: Interrupt request
- Bit 4 **PTM0PF**: PTM0 Comparator P match Interrupt request flag
 0: No request
 1: Interrupt request
- Bit 3 **STM0AE**: STM0 Comparator A match Interrupt control
 0: Disable
 1: Enable
- Bit 2 **STM0PE**: STM0 Comparator P match Interrupt control
 0: Disable
 1: Enable
- Bit 1 **PTM0AE**: PTM0 Comparator A match Interrupt control
 0: Disable
 1: Enable
- Bit 0 **PTM0PE**: PTM0 Comparator P match Interrupt control
 0: Disable
 1: Enable

MFI2 Register – HT66FV140/HT66FV150/HT66FV160

Bit	7	6	5	4	3	2	1	0
Name	—	—	PTM1AF	PTM1PF	—	—	PTM1AE	PTM1PE
R/W	—	—	R/W	R/W	—	—	R/W	R/W
POR	—	—	0	0	—	—	0	0

- Bit 7~6 Unimplemented, read as "0"
- Bit 5 **PTM1AF**: PTM1 Comparator A match Interrupt request flag
 0: No request
 1: Interrupt request
- Bit 4 **PTM1PF**: PTM1 Comparator P match Interrupt request flag
 0: No request
 1: Interrupt request
- Bit 3~2 Unimplemented, read as "0"
- Bit 1 **PTM1AE**: PTM1 Comparator A match Interrupt control
 0: Disable
 1: Enable
- Bit 0 **PTM1PE**: PTM1 Comparator P match Interrupt control
 0: Disable
 1: Enable

MFI3 Register – HT66FV130

Bit	7	6	5	4	3	2	1	0
Name	DEF	SPIAF	—	LVF	DEE	SPIAE	—	LVE
R/W	R/W	R/W	—	R/W	R/W	R/W	—	R/W
POR	0	0	—	0	0	0	—	0

- Bit 7 **DEF**: Data EEPROM Interrupt request flag
 0: No request
 1: Interrupt request
- Bit 6 **SPIAF**: SPIA Interrupt request flag
 0: No request
 1: Interrupt request
- Bit 5 Unimplemented, read as "0"
- Bit 4 **LVF**: LVD Interrupt request flag
 0: No request
 1: Interrupt request
- Bit 3 **DEE**: Data EEPROM Interrupt control
 0: Disable
 1: Enable
- Bit 2 **SPIAE**: SPIA Interrupt control
 0: Disable
 1: Enable
- Bit 1 Unimplemented, read as "0"
- Bit 0 **LVE**: LVD Interrupt control
 0: Disable
 1: Enable

MF13 Register – HT66FV140/HT66FV150/HT66FV160

Bit	7	6	5	4	3	2	1	0
Name	DEF	SPIAF	SIMF	LVF	DEE	SPIAE	SIME	LVE
R/W	R/W	R/W	R/W	R/W	R/W	R/W	R/W	R/W
POR	0	0	0	0	0	0	0	0

- Bit 7 **DEF**: Data EEPROM Interrupt request flag
 0: No request
 1: Interrupt request
- Bit 6 **SPIAF**: SPIA Interrupt request flag
 0: No request
 1: Interrupt request
- Bit 5 **SIMF**: SIM Interrupt request flag
 0: No request
 1: Interrupt request
- Bit 4 **LVF**: LVD Interrupt request flag
 0: No request
 1: Interrupt request
- Bit 3 **DEE**: Data EEPROM Interrupt control
 0: Disable
 1: Enable
- Bit 2 **SPIAE**: SPIA Interrupt control
 0: Disable
 1: Enable
- Bit 1 **SIME**: SIM Interrupt control
 0: Disable
 1: Enable
- Bit 0 **LVE**: LVD Interrupt control
 0: Disable
 1: Enable

Interrupt Operation

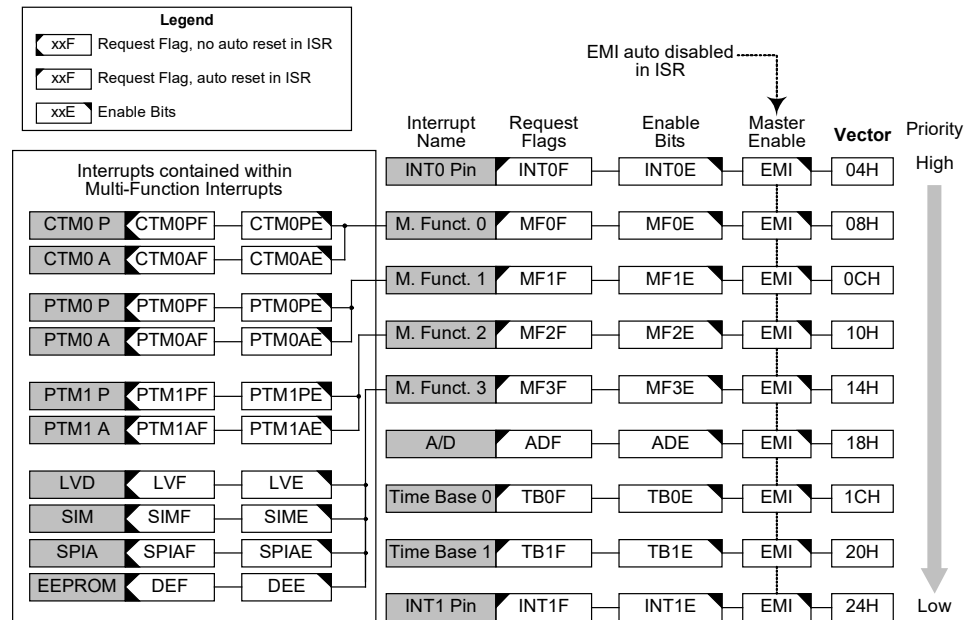
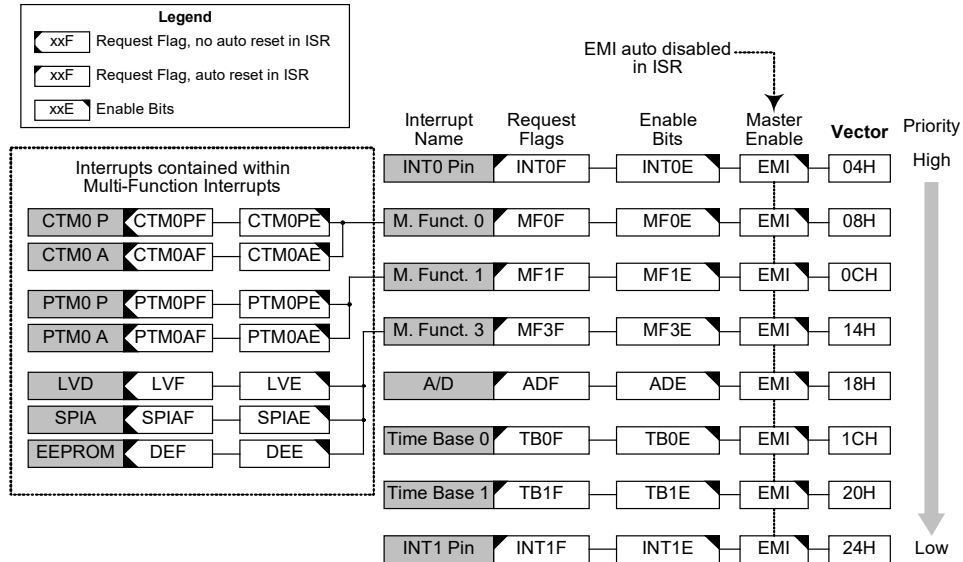
When the conditions for an interrupt event occur, such as a TM Comparator P or Comparator A or A/D conversion completion, etc, the relevant interrupt request flag will be set. Whether the request flag actually generates a program jump to the relevant interrupt vector is determined by the condition of the interrupt enable bit. If the enable bit is set high then the program will jump to its relevant vector; if the enable bit is zero then although the interrupt request flag is set an actual interrupt will not be generated and the program will not jump to the relevant interrupt vector. The global interrupt enable bit, if cleared to zero, will disable all interrupts.

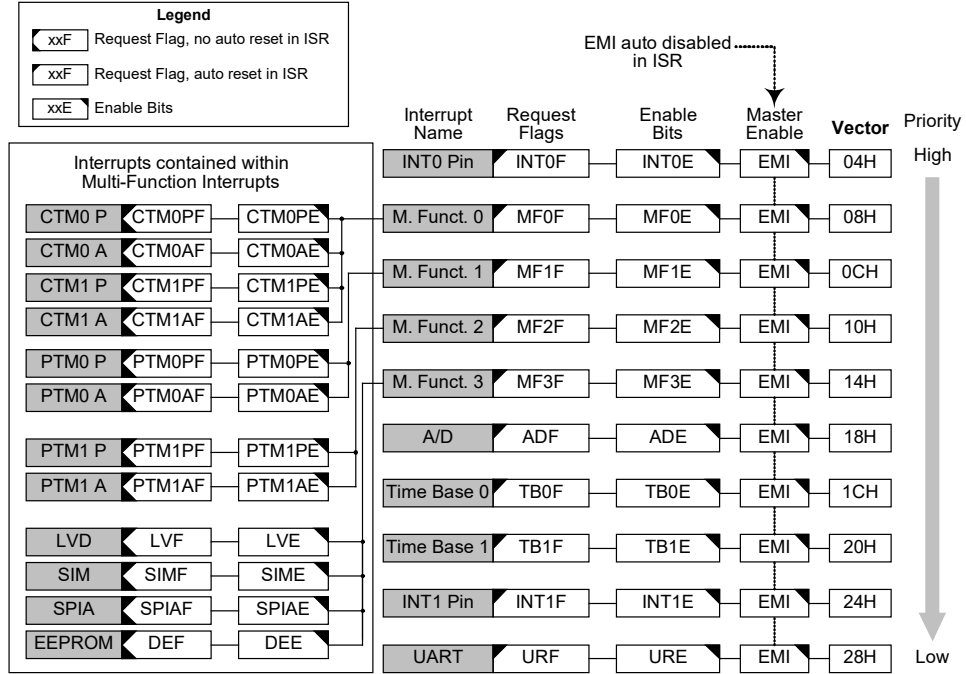
When an interrupt is generated, the Program Counter, which stores the address of the next instruction to be executed, will be transferred onto the stack. The Program Counter will then be loaded with a new address which will be the value of the corresponding interrupt vector. The microcontroller will then fetch its next instruction from this interrupt vector. The instruction at this vector will usually be a JMP which will jump to another section of program which is known as the interrupt service routine. Here is located the code to control the appropriate interrupt. The interrupt service routine must be terminated with a RETI, which retrieves the original Program Counter address from the stack and allows the microcontroller to continue with normal execution at the point where the interrupt occurred.

The various interrupt enable bits, together with their associated request flags, are shown in the accompanying diagrams with their order of priority. Some interrupt sources have their own individual vector while others share the same multi-function interrupt vector. Once an interrupt subroutine is serviced, all other interrupts will be blocked, as the global interrupt enable bit, EMI bit will be cleared automatically. This will prevent any further interrupt nesting from occurring.

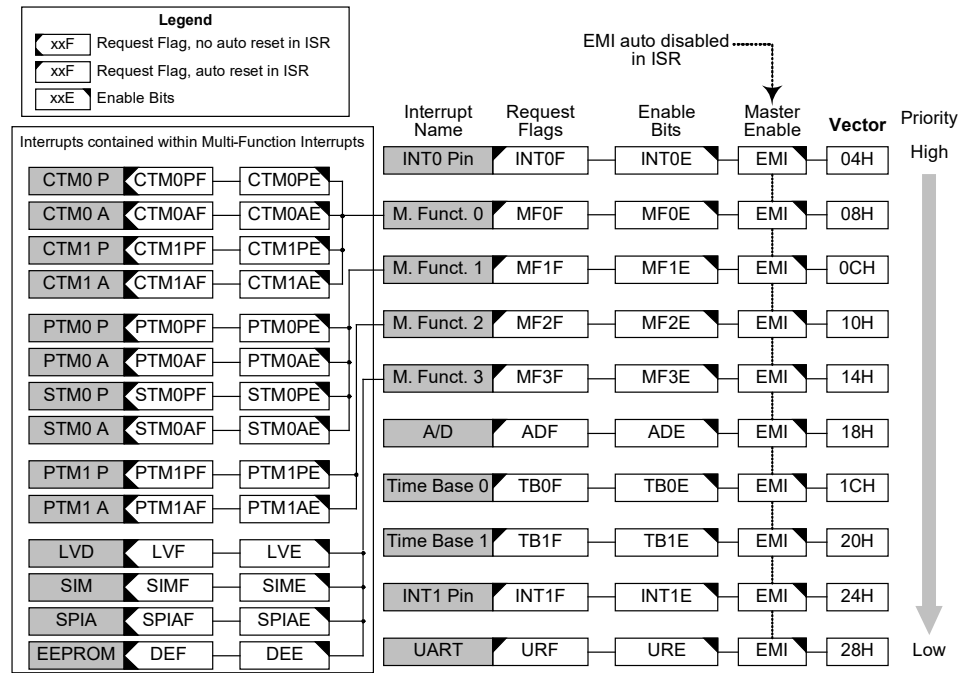
However, if other interrupt requests occur during this interval, although the interrupt will not be immediately serviced, the request flag will still be recorded.

If an interrupt requires immediate servicing while the program is already in another interrupt service routine, the EMI bit should be set after entering the routine to allow interrupt nesting. If the stack is full, the interrupt request will not be acknowledged, even if the related interrupt is enabled, until the Stack Pointer is decremented. If immediate service is desired, the stack must be prevented from becoming full. In case of simultaneous requests, the accompanying diagram shows the priority that is applied. All of the interrupt request flags when set will wake-up the device if it is in SLEEP or IDLE Mode, however to prevent a wake-up from occurring the corresponding flag should be set before the device is in SLEEP or IDLE Mode.





Interrupt Scheme – HT66FV150



Interrupt Scheme – HT66FV160

External Interrupt

The external interrupts are controlled by signal transitions on the pins INT0~INT1. An external interrupt request will take place when the external interrupt request flags, INT0F~INT1F, are set, which will occur when a transition, whose type is chosen by the edge select bits, appears on the external interrupt pins. To allow the program to branch to its respective interrupt vector address, the global interrupt enable bit, EMI, and respective external interrupt enable bit, INT0E~INT1E, must first be set. Additionally the correct interrupt edge type must be selected using the INTEG register to enable the external interrupt function and to choose the trigger edge type. As the external interrupt pins are pin-shared with I/O pins, they can only be configured as external interrupt pins if their external interrupt enable bit in the corresponding interrupt register has been set and the external interrupt pin is selected by the corresponding pin-shared function selection bits. The pin must also be setup as an input by setting the corresponding bit in the port control register. When the interrupt is enabled, the stack is not full and the correct transition type appears on the external interrupt pin, a subroutine call to the external interrupt vector, will take place. When the interrupt is serviced, the external interrupt request flags, INT0F~INT1F, will be automatically reset and the EMI bit will be automatically cleared to disable other interrupts. Note that any pull-high resistor selections on the external interrupt pins will remain valid even if the pin is used as an external interrupt input.

The INTEG register is used to select the type of active edge that will trigger the external interrupt. A choice of either rising or falling or both edge types can be chosen to trigger an external interrupt. Note that the INTEG register can also be used to disable the external interrupt function.

Multi-function Interrupt

Within the device there are up to four Multi-function interrupts. Unlike the other independent interrupts, these interrupts have no independent source, but rather are formed from other existing interrupt sources, namely the TM interrupts, LVD interrupt, EEPROM write operation interrupt, SIM and SPIA interface interrupts.

A Multi-function interrupt request will take place when any of the Multi-function interrupt request flags MFnF are set. The Multi-function interrupt flags will be set when any of their included functions generate an interrupt request flag. To allow the program to branch to its respective interrupt vector address, when the Multi-function interrupt is enabled and the stack is not full, and either one of the interrupts contained within each of Multi-function interrupt occurs, a subroutine call to one of the Multi-function interrupt vectors will take place. When the interrupt is serviced, the related Multi-Function request flag will be automatically reset and the EMI bit will be automatically cleared to disable other interrupts.

However, it must be noted that, although the Multi-function Interrupt request flags will be automatically reset when the interrupt is serviced, the request flags from the original source of the Multi-function interrupts will not be automatically reset and must be manually reset by the application program.

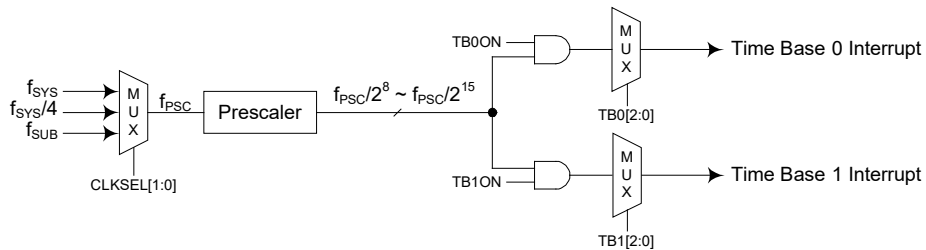
A/D Converter Interrupt

The A/D Converter Interrupt is controlled by the termination of an A/D conversion process. An A/D Converter Interrupt request will take place when the A/D Converter Interrupt request flag, ADF, is set, which occurs when the A/D conversion process finishes. To allow the program to branch to its respective interrupt vector address, the global interrupt enable bit, EMI, and A/D Interrupt enable bit, ADE, must first be set. When the interrupt is enabled, the stack is not full and the A/D conversion process has ended, a subroutine call to the A/D Converter Interrupt vector, will take place. When the interrupt is serviced, the A/D Converter Interrupt flag, ADF, will be automatically cleared. The EMI bit will also be automatically cleared to disable other interrupts.

Time Base Interrupt

The function of the Time Base Interrupt is to provide regular time signal in the form of an internal interrupt. It is controlled by the overflow signal from its internal timer. When this happens its interrupt request flag, TBnF, will be set. To allow the program to branch to its respective interrupt vector addresses, the global interrupt enable bit, EMI and Time Base enable bit, TBnE, must first be set. When the interrupt is enabled, the stack is not full and the Time Base overflows, a subroutine call to its respective vector location will take place. When the interrupt is serviced, the interrupt request flag, TBnF, will be automatically reset and the EMI bit will be cleared to disable other interrupts.

The purpose of the Time Base Interrupt is to provide an interrupt signal at fixed time periods. Its clock source, f_{PSC} , originates from the internal clock source f_{SYS} , $f_{SYS}/4$ or f_{SUB} and then passes through a divider, the division ratio of which is selected by programming the appropriate bits in the TB0C and TB1C registers to obtain longer interrupt periods whose value ranges. The clock source which in turn controls the Time Base interrupt period is selected using the CLKSEL1 and CLKSEL0 bits in the PSCR register.



Time Base Interrupts

PSCR Register

Bit	7	6	5	4	3	2	1	0
Name	—	—	—	—	—	—	CLKSEL1	CLKSEL0
R/W	—	—	—	—	—	—	R/W	R/W
POR	—	—	—	—	—	—	0	0

Bit 7~2 unimplemented, read as "0"

Bit 1~0 **CLKSEL1~CLKSEL0**: Prescaler clock source selection

00: f_{SYS}

01: $f_{SYS}/4$

1x: f_{SUB}

TB0C Register

Bit	7	6	5	4	3	2	1	0
Name	TB0ON	—	—	—	—	TB02	TB01	TB00
R/W	R/W	—	—	—	—	R/W	R/W	R/W
POR	0	—	—	—	—	0	0	0

- Bit 7 **TB0ON**: Time Base 0 Enable Control
0: Disable
1: Enable
- Bit 6~3 unimplemented, read as "0"
- Bit 2~0 **TB02~TB00**: Time Base 0 time-out period selection
000: $2^8/f_{PSC}$
001: $2^9/f_{PSC}$
010: $2^{10}/f_{PSC}$
011: $2^{11}/f_{PSC}$
100: $2^{12}/f_{PSC}$
101: $2^{13}/f_{PSC}$
110: $2^{14}/f_{PSC}$
111: $2^{15}/f_{PSC}$

TB1C Register

Bit	7	6	5	4	3	2	1	0
Name	TB1ON	—	—	—	—	TB12	TB11	TB10
R/W	R/W	—	—	—	—	R/W	R/W	R/W
POR	0	—	—	—	—	0	0	0

- Bit 7 **TB1ON**: Time Base 1 Enable Control
0: Disable
1: Enable
- Bit 6~3 unimplemented, read as "0"
- Bit 2~0 **TB12~TB10**: Time Base 1 time-out period selection
000: $2^8/f_{PSC}$
001: $2^9/f_{PSC}$
010: $2^{10}/f_{PSC}$
011: $2^{11}/f_{PSC}$
100: $2^{12}/f_{PSC}$
101: $2^{13}/f_{PSC}$
110: $2^{14}/f_{PSC}$
111: $2^{15}/f_{PSC}$

UART Transfer Interrupt – HT66FV150/HT66FV160

The UART Transfer Interrupt is controlled by several UART transfer conditions. When one of these conditions occurs, an interrupt pulse will be generated to get the attention of the microcontroller. These conditions are a transmitter data register empty, transmitter idle, receiver data available, receiver overrun, address detect and an RX pin wake-up. To allow the program to branch to its respective interrupt vector address, the global interrupt enable bit, EMI, and UART Interrupt enable bit, URE, must first be set. When the interrupt is enabled, the stack is not full and any of the conditions described above occurs, a subroutine call to the UART Interrupt vector, will take place. When the interrupt is serviced, the UART Interrupt flag, URF, will be automatically cleared. The EMI bit will also be automatically cleared to disable other interrupts.

Serial Interface Module Interrupt – HT66FV140/HT66FV150/HT66FV160

The Serial Interface Module Interrupt, also known as the SIM interrupt, is contained within the Multi-function Interrupt. A SIM Interrupt request will take place when the SIM Interrupt request flag, SIMF, is set, which occurs when a byte of data has been received or transmitted by the SIM interface or I²C address match or I²C time-out. To allow the program to branch to its respective interrupt vector address, the global interrupt enable bit, EMI, the Serial Interface Interrupt enable bit, SIME, and Multi-function interrupt enable bit must first be set. When the interrupt is enabled, the stack is not full and any of these situations occur, a subroutine call to the respective Multi-function Interrupt vector, will take place. When the Serial Interface Interrupt is serviced, the EMI bit will be automatically cleared to disable other interrupts, however only the Multi-function interrupt request flag will be also automatically cleared. As the SIMF flag will not be automatically cleared, it has to be cleared by the application program.

SPIA Interface Interrupt

The SPIA Interface Module Interrupt is contained within the Multi-function Interrupt. A SPIA Interrupt request will take place when the SPIA Interrupt request flag, SPIAF, is set, which occurs when a byte of data has been received or transmitted by the SPIA interface. To allow the program to branch to its respective interrupt vector address, the global interrupt enable bit, EMI, the Serial Interface Interrupt enable bit, SPIAE, and Multi-function interrupt enable bit must first be set. When the interrupt is enabled, the stack is not full and a byte of data has been transmitted or received by the SPIA interface, a subroutine call to the respective Multi-function Interrupt vector, will take place. When the SPIA Interface Interrupt is serviced, the EMI bit will be automatically cleared to disable other interrupts, however only the Multi-function interrupt request flag will be also automatically cleared. As the SPIAF flag will not be automatically cleared, it has to be cleared by the application program.

LVD Interrupt

The Low Voltage Detector Interrupt is contained within the Multi-function Interrupt. An LVD Interrupt request will take place when the LVD Interrupt request flag, LVF, is set, which occurs when the Low Voltage Detector function detects a low power supply voltage. To allow the program to branch to its respective interrupt vector address, the global interrupt enable bit, EMI, Low Voltage Interrupt enable bit, LVE, and associated Multi-function interrupt enable bit, must first be set. When the interrupt is enabled, the stack is not full and a low voltage condition occurs, a subroutine call to the Multi-function Interrupt vector, will take place. When the Low Voltage Interrupt is serviced, the EMI bit will be automatically cleared to disable other interrupts. However, only the Multi-function interrupt request flag will be also automatically cleared. As the LVF flag will not be automatically cleared, it has to be cleared by the application program.

EEPROM Interrupt

The EEPROM Write Interrupt is contained within the Multi-function Interrupt. An EEPROM Write Interrupt request will take place when the EEPROM Write Interrupt request flag, DEF, is set, which occurs when an EEPROM Write cycle ends. To allow the program to branch to its respective interrupt vector address, the global interrupt enable bit, EMI, EEPROM Write Interrupt enable bit, DEE, and associated Multi-function interrupt enable bit must first be set. When the interrupt is enabled, the stack is not full and an EEPROM Write cycle ends, a subroutine call to the respective Multi-function Interrupt vector will take place. When the EEPROM Write Interrupt is serviced, the EMI bit will be automatically cleared to disable other interrupts. However, only the Multi-function interrupt request flag will be automatically cleared. As the DEF flag will not be automatically cleared, it has to be cleared by the application program.

TM Interrupt

The Compact, Standard and Periodic TMs have two interrupts, one comes from the comparator A match situation and the other comes from the comparator P match situation. All of the TM interrupts are contained within the Multi-function Interrupts. For all of the TM types there are two interrupt request flags and two enable control bits. A TM interrupt request will take place when any of the TM request flags are set, a situation which occurs when a TM comparator P or A match situation happens.

To allow the program to branch to its respective interrupt vector address, the global interrupt enable bit, EMI, respective TM Interrupt enable bit, and relevant Multi-function Interrupt enable bit, MFnE, must first be set. When the interrupt is enabled, the stack is not full and a TM comparator match situation occurs, a subroutine call to the relevant Multi-function Interrupt vector locations, will take place. When the TM interrupt is serviced, the EMI bit will be automatically cleared to disable other interrupts. However, only the related MFnF flag will be automatically cleared. As the TM interrupt request flags will not be automatically cleared, they have to be cleared by the application program.

Interrupt Wake-up Function

Each of the interrupt functions has the capability of waking up the microcontroller when in the SLEEP or IDLE Mode. A wake-up is generated when an interrupt request flag changes from low to high and is independent of whether the interrupt is enabled or not. Therefore, even though these devices are in the SLEEP or IDLE Mode and its system oscillator stopped, situations such as external edge transitions on the external interrupt pins, a low power supply voltage or comparator input change may cause their respective interrupt flag to be set high and consequently generate an interrupt. Care must therefore be taken if spurious wake-up situations are to be avoided. If an interrupt wake-up function is to be disabled then the corresponding interrupt request flag should be set high before the device enters the SLEEP or IDLE Mode. The interrupt enable bits have no effect on the interrupt wake-up function.

Programming Considerations

By disabling the relevant interrupt enable bits, a requested interrupt can be prevented from being serviced, however, once an interrupt request flag is set, it will remain in this condition in the interrupt register until the corresponding interrupt is serviced or until the request flag is cleared by the application program.

Where a certain interrupt is contained within a Multi-function interrupt, then when the interrupt service routine is executed, as only the Multi-function interrupt request flags, MFnF, will be automatically cleared, the individual request flag for the function needs to be cleared by the application program.

It is recommended that programs do not use the "CALL" instruction within the interrupt service subroutine. Interrupts often occur in an unpredictable manner or need to be serviced immediately. If only one stack is left and the interrupt is not well controlled, the original control sequence will be damaged once a CALL subroutine is executed in the interrupt subroutine.

Every interrupt has the capability of waking up the microcontroller when it is in the SLEEP or IDLE Mode, the wake up being generated when the interrupt request flag changes from low to high. If it is required to prevent a certain interrupt from waking up the microcontroller then its respective request flag should be first set high before enter SLEEP or IDLE Mode.

As only the Program Counter is pushed onto the stack, then when the interrupt is serviced, if the contents of the accumulator, status register or other registers are altered by the interrupt service program, their contents should be saved to the memory at the beginning of the interrupt service routine.

To return from an interrupt subroutine, either a RET or RETI instruction may be executed. The RETI instruction in addition to executing a return to the main program also automatically sets the EMI bit high to allow further interrupts. The RET instruction however only executes a return to the main program leaving the EMI bit in its present zero state and therefore disabling the execution of further interrupts.

Low Voltage Detector – LVD

Each device has a Low Voltage Detector function, also known as LVD. This enabled the device to monitor the power supply voltage, V_{DD} , and provide a warning signal should it fall below a certain level. This function may be especially useful in battery applications where the supply voltage will gradually reduce as the battery ages, as it allows an early warning battery low signal to be generated. The Low Voltage Detector also has the capability of generating an interrupt signal.

LVD Register

The Low Voltage Detector function is controlled using a single register with the name LVDC. Three bits in this register, VLVD2~VLVD0, are used to select one of eight fixed voltages below which a low voltage condition will be determined. A low voltage condition is indicated when the LVDO bit is set. If the LVDO bit is low, this indicates that the V_{DD} voltage is above the preset low voltage value. The LVDEN bit is used to control the overall on/off function of the low voltage detector. Setting the bit high will enable the low voltage detector. Clearing the bit to zero will switch off the internal low voltage detector circuits. As the low voltage detector will consume a certain amount of power, it may be desirable to switch off the circuit when not in use, an important consideration in power sensitive battery powered applications.

LVDC Register

Bit	7	6	5	4	3	2	1	0
Name	—	—	LVDO	LVDEN	—	VLVD2	VLVD1	VLVD0
R/W	—	—	R	R/W	—	R/W	R/W	R/W
POR	—	—	0	0	—	0	0	0

Bit 7~6 unimplemented, read as "0"

Bit 5 **LVDO**: LVD output flag
 0: No Low Voltage Detected
 1: Low Voltage Detected

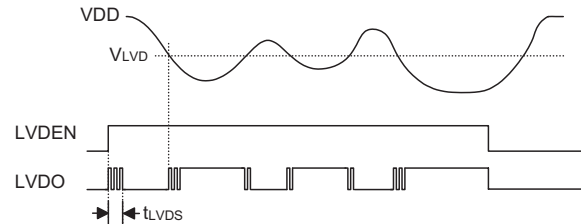
Bit 4 **LVDEN**: Low Voltage Detector Enable control
 0: Disable
 1: Enable

Bit 3 unimplemented, read as "0"

Bit 2~0 **VLVD2~VLVD0**: LVD Voltage selection
 000: 2.0V
 001: 2.2V
 010: 2.4V
 011: 2.7V
 100: 3.0V
 101: 3.3V
 110: 3.6V
 111: 4.0V

LVD Operation

The Low Voltage Detector function operates by comparing the power supply voltage, V_{DD} , with a pre-specified voltage level stored in the LVDC register. This has a range of between 2.0V and 4.0V. When the power supply voltage, V_{DD} , falls below this pre-determined value, the LVDO bit will be set high indicating a low power supply voltage condition. The Low Voltage Detector function is supplied by a reference voltage which will be automatically enabled. When the device is powered down the low voltage detector will remain active if the LVDEN bit is high. After enabling the Low Voltage Detector, a time delay t_{LVDS} should be allowed for the circuitry to stabilise before reading the LVDO bit. Note also that as the V_{DD} voltage may rise and fall rather slowly, at the voltage nears that of V_{LVD} , there may be multiple bit LVDO transitions.



LVD Operation

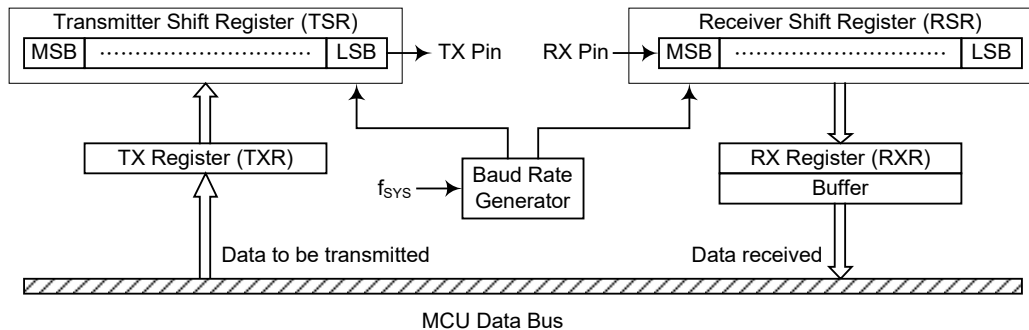
The Low Voltage Detector also has its own interrupt which is contained within one of the Multi-function interrupts, providing an alternative means of low voltage detection, in addition to polling the LVDO bit. The interrupt will only be generated after a delay of t_{LVD} after the LVDO bit has been set high by a low voltage condition. When the device is powered down the Low Voltage Detector will remain active if the LVDEN bit is high. In this case, the LVF interrupt request flag will be set, causing an interrupt to be generated if V_{DD} falls below the preset LVD voltage. This will cause the device to wake-up from the SLEEP or IDLE Mode, however if the Low Voltage Detector wake up function is not required then the LVF flag should be first set high before the device enters the SLEEP or IDLE Mode.

UART Interface – HT66FV150/HT66FV160

These devices contain an integrated full-duplex asynchronous serial communications UART interface that enables communication with external devices that contain a serial interface. The UART function has many features and can transmit and receive data serially by transferring a frame of data with eight or nine data bits per transmission as well as being able to detect errors when the data is overwritten or incorrectly framed. The UART function possesses its own internal interrupt which can be used to indicate when a reception occurs or when a transmission terminates.

The integrated UART function contains the following features:

- Full-duplex, asynchronous communication
- 8 or 9 bits character length
- Even, odd or no parity options
- One or two stop bits
- Baud rate generator with 8-bit prescaler
- Parity, framing, noise and overrun error detection
- Support for interrupt on address detect (last character bit=1)
- Separately enabled transmitter and receiver
- 2-byte Deep FIFO Receive Data Buffer
- Transmit and receive interrupts
- Interrupts can be initialized by the following conditions:
 - ♦ Transmitter Empty
 - ♦ Transmitter Idle
 - ♦ Receiver Full
 - ♦ Receiver Overrun
 - ♦ Address Mode Detect



UART Data Transfer Block Diagram

UART External Pin

To communicate with an external serial interface, the internal UART has two external pins known as TX and RX. The TX and RX pins are the UART transmitter and receiver pins respectively. The TX and RX pin function should first be selected by the corresponding pin-shared function selection register before the UART function is used. Along with the UARTEN bit, the TXEN and RXEN bits, if set, will automatically setup these I/O or other pin-shared functional pins to their respective TX output and RX input conditions and disable any pull-high resistor option which may exist on the TX and RX pins. When the TX or RX pin function is disabled by clearing the UARTEN, TXEN or RXEN bit, the TX or RX pin will be set to a floating state. At this time whether the TX or RX pin is connected to an internal pull-high resistor or not is determined by the corresponding I/O pull-high function control bit.

UART Data Transfer Scheme

The above diagram shows the overall data transfer structure arrangement for the UART interface. The actual data to be transmitted from the MCU is first transferred to the TXR register by the application program. The data will then be transferred to the Transmit Shift Register from where it will be shifted out, LSB first, onto the TX pin at a rate controlled by the Baud Rate Generator. Only the TXR register is mapped onto the MCU Data Memory, the Transmit Shift Register is not mapped and is therefore inaccessible to the application program.

Data to be received by the UART is accepted on the external RX pin, from where it is shifted in, LSB first, to the Receiver Shift Register at a rate controlled by the Baud Rate Generator. When the shift register is full, the data will then be transferred from the shift register to the internal RXR register, where it is buffered and can be manipulated by the application program. Only the RXR register is mapped onto the MCU Data Memory, the Receiver Shift Register is not mapped and is therefore inaccessible to the application program.

It should be noted that the actual register for data transmission and reception, although referred to in the text, and in application programs, as separate TXR and RXR registers, only exists as a single shared register in the Data Memory. This shared register known as the TXR_RXR register is used for both data transmission and data reception.

UART Status and Control Registers

There are five control registers associated with the UART function. The USR, UCR1 and UCR2 registers control the overall function of the UART, while the BRG register controls the Baud rate. The actual data to be transmitted and received on the serial interface is managed through the TXR_RXR data registers.

TXR_RXR Register

The TXR_RXR register is the data register which is used to store the data to be transmitted on the TX pin or being received from the RX pin.

Bit	7	6	5	4	3	2	1	0
Name	TXRX7	TXRX6	TXRX5	TXRX4	TXRX3	TXRX2	TXRX1	TXRX0
R/W	R/W	R/W	R/W	R/W	R/W	R/W	R/W	R/W
POR	x	x	x	x	x	x	x	x

"x": unknown

Bit 7~0 **TXRX7~TXRX0**: UART Transmit/Receive Data bits

USR Register

The USR register is the status register for the UART, which can be read by the program to determine the present status of the UART. All flags within the USR register are read only and further explanations are given below.

Bit	7	6	5	4	3	2	1	0
Name	PERR	NF	FERR	OERR	RIDLE	RXIF	TIDLE	TXIF
R/W	R	R	R	R	R	R	R	R
POR	0	0	0	0	1	0	1	1

- Bit 7 PERR:** Parity error flag
 0: No parity error is detected
 1: Parity error is detected
 The PERR flag is the parity error flag. When this read only flag is "0", it indicates a parity error has not been detected. When the flag is "1", it indicates that the parity of the received word is incorrect. This error flag is applicable only if Parity mode (odd or even) is selected. The flag can also be cleared by a software sequence which involves a read to the status register USR followed by an access to the RXR data register.
- Bit 6 NF:** Noise flag
 0: No noise is detected
 1: Noise is detected
 The NF flag is the noise flag. When this read only flag is "0", it indicates no noise condition. When the flag is "1", it indicates that the UART has detected noise on the receiver input. The NF flag is set during the same cycle as the RXIF flag but will not be set in the case of an overrun. The NF flag can be cleared by a software sequence which will involve a read to the status register USR followed by an access to the RXR data register.
- Bit 5 FERR:** Framing error flag
 0: No framing error is detected
 1: Framing error is detected
 The FERR flag is the framing error flag. When this read only flag is "0", it indicates that there is no framing error. When the flag is "1", it indicates that a framing error has been detected for the current character. The flag can also be cleared by a software sequence which will involve a read to the status register USR followed by an access to the RXR data register.
- Bit 4 OERR:** Overrun error flag
 0: No overrun error is detected
 1: Overrun error is detected
 The OERR flag is the overrun error flag which indicates when the receiver buffer has overflowed. When this read only flag is "0", it indicates that there is no overrun error. When the flag is "1", it indicates that an overrun error occurs which will inhibit further transfers to the RXR receive data register. The flag is cleared by a software sequence, which is a read to the status register USR followed by an access to the RXR data register.
- Bit 3 RIDLE:** Receiver status
 0: data reception is in progress (data being received)
 1: no data reception is in progress (receiver is idle)
 The RIDLE flag is the receiver status flag. When this read only flag is "0", it indicates that the receiver is between the initial detection of the start bit and the completion of the stop bit. When the flag is "1", it indicates that the receiver is idle. Between the completion of the stop bit and the detection of the next start bit, the RIDLE bit is "1" indicating that the UART receiver is idle and the RX pin stays in logic high condition.

- Bit 2** **RXIF:** Receive RXR data register status
 0: RXR data register is empty
 1: RXR data register has available data
 The RXIF flag is the receive data register status flag. When this read only flag is "0", it indicates that the RXR read data register is empty. When the flag is "1", it indicates that the RXR read data register contains new data. When the contents of the shift register are transferred to the RXR register, an interrupt is generated if RIE=1 in the UCR2 register. If one or more errors are detected in the received word, the appropriate receive-related flags NF, FERR, and/or PERR are set within the same clock cycle. The RXIF flag is cleared when the USR register is read with RXIF set, followed by a read from the RXR register, and if the RXR register has no data available.
- Bit 1** **TIDLE:** Transmission status
 0: Data transmission is in progress (data being transmitted)
 1: No data transmission is in progress (transmitter is idle)
 The TIDLE flag is known as the transmission complete flag. When this read only flag is "0", it indicates that a transmission is in progress. This flag will be set to "1" when the TXIF flag is "1" and when there is no transmit data or break character being transmitted. When TIDLE is equal to 1, the TX pin becomes idle with the pin state in logic high condition. The TIDLE flag is cleared by reading the USR register with TIDLE set and then writing to the TXR register. The flag is not generated when a data character or a break is queued and ready to be sent.
- Bit 0** **TXIF:** Transmit TXR data register status
 0: Character is not transferred to the transmit shift register
 1: Character has transferred to the transmit shift register (TXR data register is empty)
 The TXIF flag is the transmit data register empty flag. When this read only flag is "0", it indicates that the character is not transferred to the transmitter shift register. When the flag is "1", it indicates that the transmitter shift register has received a character from the TXR data register. The TXIF flag is cleared by reading the UART status register (USR) with TXIF set and then writing to the TXR data register. Note that when the TXEN bit is set, the TXIF flag bit will also be set since the transmit data register is not yet full.

UCR1 Register

The UCR1 register together with the UCR2 register are the UART control registers that are used to set the various options for the UART function such as overall on/off control, parity control, data transfer bit length, etc. Further explanation on each of the bits is given below.

Bit	7	6	5	4	3	2	1	0
Name	UARTEN	BNO	PREN	PRT	STOPS	TXBRK	RX8	TX8
R/W	R/W	R/W	R/W	R/W	R/W	R/W	R	W
POR	0	0	0	0	0	0	x	0

"x": unknown

- Bit 7** **UARTEN:** UART function enable control
 0: Disable UART; TX and RX pins are in a floating state.
 1: Enable UART; TX and RX pins function as UART pins
 The UARTEN bit is the UART enable bit. When this bit is equal to "0", the UART will be disabled and the RX pin as well as the TX pin will be set in a floating state. When the bit is equal to "1", the UART will be enabled and the TX and RX pins will function as defined by the TXEN and RXEN enable control bits. When the UART is disabled, it will empty the buffer so any character remaining in the buffer will be discarded. In addition, the value of the baud rate counter will be reset. If the UART is disabled, all error and status flags will be reset. Also the TXEN, RXEN, TXBRK, RXIF, OERR, FERR, PERR and NF bits will be cleared, while the TIDLE, TXIF and RIDLE bits will be set. Other control bits in UCR1, UCR2 and BRG registers will remain unaffected. If the UART is active and the UARTEN bit is cleared, all pending

transmissions and receptions will be terminated and the module will be reset as defined above. When the UART is re-enabled, it will restart in the same configuration.

- Bit 6 **BNO**: Number of data transfer bits selection
 0: 8-bit data transfer
 1: 9-bit data transfer
This bit is used to select the data length format, which can have a choice of either 8-bit or 9-bit format. When this bit is equal to "1", a 9-bit data length format will be selected. If the bit is equal to "0", then an 8-bit data length format will be selected. If 9-bit data length format is selected, then bits RX8 and TX8 will be used to store the 9th bit of the received and transmitted data respectively.
- Bit 5 **PREN**: Parity function enable control
 0: Parity function is disabled
 1: Parity function is enabled
This bit is the parity function enable bit. When this bit is equal to 1, the parity function will be enabled. If the bit is equal to 0, then the parity function will be disabled.
- Bit 4 **PRT**: Parity type selection bit
 0: Even parity for parity generator
 1: Odd parity for parity generator
This bit is the parity type selection bit. When this bit is equal to 1, odd parity type will be selected. If the bit is equal to 0, then even parity type will be selected.
- Bit 3 **STOPS**: Number of stop bits selection
 0: One stop bit format is used
 1: Two stop bits format is used
This bit determines if one or two stop bits are to be used. When this bit is equal to "1", two stop bits format are used. If the bit is equal to "0", then only one stop bit format is used.
- Bit 2 **TXBRK**: Transmit break character
 0: No break character is transmitted
 1: Break characters transmit
The TXBRK bit is the Transmit Break Character bit. When this bit is equal to "0", there are no break characters and the TX pin operates normally. When the bit is equal to "1", there are transmit break characters and the transmitter will send logic zeros. When this bit is equal to "1", after the buffered data has been transmitted, the transmitter output is held low for a minimum of a 13-bit length and until the TXBRK bit is reset.
- Bit 1 **RX8**: Receive data bit 8 for 9-bit data transfer format (read only)
This bit is only used if 9-bit data transfers are used, in which case this bit location will store the 9th bit of the received data known as RX8. The BNO bit is used to determine whether data transfers are in 8-bit or 9-bit format.
- Bit 0 **TX8**: Transmit data bit 8 for 9-bit data transfer format (write only)
This bit is only used if 9-bit data transfers are used, in which case this bit location will store the 9th bit of the transmitted data known as TX8. The BNO bit is used to determine whether data transfers are in 8-bit or 9-bit format.

UCR2 Register

The UCR2 register is the second of the UART control registers and serves several purposes. One of its main functions is to control the basic enable/disable operation of the UART Transmitter and Receiver as well as enabling the various UART interrupt sources. The register also serves to control the baud rate speed, receiver wake-up function enable and the address detect function enable. Further explanation on each of the bits is given below.

Bit	7	6	5	4	3	2	1	0
Name	TXEN	RXEN	BRGH	ADDEN	WAKE	RIE	TIE	TEIE
R/W	R/W	R/W	R/W	R/W	R/W	R/W	R/W	R/W
POR	0	0	0	0	0	0	0	0

Bit 7 **TXEN:** UART Transmitter enable control
 0: UART Transmitter is disabled
 1: UART Transmitter is enabled

The TXEN bit is the Transmitter Enable Bit. When this bit is equal to "0", the transmitter will be disabled with any pending data transmissions being aborted. In addition the buffers will be reset. In this situation the TX pin will be set in a floating state. If the TXEN bit is equal to "1" and the UARTEN bit is also equal to 1, the transmitter will be enabled and the TX pin will be controlled by the UART. Clearing the TXEN bit during a transmission will cause the data transmission to be aborted and will reset the transmitter. If this situation occurs, the TX pin will be set in a floating state.

Bit 6 **RXEN:** UART Receiver enable control
 0: UART Receiver is disabled
 1: UART Receiver is enabled

The RXEN bit is the Receiver Enable Bit. When this bit is equal to "0", the receiver will be disabled with any pending data receptions being aborted. In addition the receiver buffers will be reset. In this situation the RX pin will be set in a floating state. If the RXEN bit is equal to "1" and the UARTEN bit is also equal to 1, the receiver will be enabled and the RX pin will be controlled by the UART. Clearing the RXEN bit during a reception will cause the data reception to be aborted and will reset the receiver. If this situation occurs, the RX pin will be set in a floating state.

Bit 5 **BRGH:** Baud Rate speed selection
 0: Low speed baud rate
 1: High speed baud rate

The bit named BRGH selects the high or low speed mode of the Baud Rate Generator. This bit, together with the value placed in the baud rate register, BRG, controls the baud rate of the UART. If the bit is equal to 0, the low speed mode is selected.

Bit 4 **ADDEN:** Address detect function enable control
 0: Address detection function is disabled
 1: Address detection function is enabled

The bit named ADDEN is the address detection function enable control bit. When this bit is equal to 1, the address detection function is enabled. When it occurs, if the 8th bit, which corresponds to RX7 if BNO=0, or the 9th bit, which corresponds to RX8 if BNO=1, has a value of "1", then the received word will be identified as an address, rather than data. If the corresponding interrupt is enabled, an interrupt request will be generated each time the received word has the address bit set, which is the 8th or 9th bit depending on the value of the BNO bit. If the address bit known as the 8th or 9th bit of the received word is "0" with the address detection function being enabled, an interrupt will not be generated and the received data will be discarded.

- Bit 3 **WAKE:** RX pin falling edge wake-up function enable control
 0: RX pin wake-up function is disabled
 1: RX pin wake-up function is enabled
 The bit enables or disables the receiver wake-up function. If this bit is equal to 1 and the device is in IDLE0 or SLEEP mode, a falling edge on the RX pin will wake up the device. If this bit is equal to 0 and the device is in IDLE or SLEEP mode, any edge transitions on the RX pin will not wake up the device.
- Bit 2 **RIE:** Receiver interrupt enable control
 0: Receiver related interrupt is disabled
 1: Receiver related interrupt is enabled
 The bit enables or disables the receiver interrupt. If this bit is equal to 1 and when the receiver overrun flag OERR or received data available flag RXIF is set, the UART interrupt request flag will be set. If this bit is equal to 0, the UART interrupt request flag will not be influenced by the condition of the OERR or RXIF flags.
- Bit 1 **TIE:** Transmitter Idle interrupt enable control
 0: Transmitter idle interrupt is disabled
 1: Transmitter idle interrupt is enabled
 The bit enables or disables the transmitter idle interrupt. If this bit is equal to 1 and when the transmitter idle flag TIDLE is set, due to a transmitter idle condition, the UART interrupt request flag will be set. If this bit is equal to 0, the UART interrupt request flag will not be influenced by the condition of the TIDLE flag.
- Bit 0 **TEIE:** Transmitter Empty interrupt enable control
 0: Transmitter empty interrupt is disabled
 1: Transmitter empty interrupt is enabled
 The bit enables or disables the transmitter empty interrupt. If this bit is equal to 1 and when the transmitter empty flag TXIF is set, due to a transmitter empty condition, the UART interrupt request flag will be set. If this bit is equal to 0, the UART interrupt request flag will not be influenced by the condition of the TXIF flag.

Baud Rate Generator

To setup the speed of the serial data communication, the UART function contains its own dedicated baud rate generator. The baud rate is controlled by its own internal free running 8-bit timer, the period of which is determined by two factors. The first of these is the value placed in the BRG register and the second is the value of the BRGH bit within the UCR2 control register. The BRGH bit decides, if the baud rate generator is to be used in a high speed mode or low speed mode, which in turn determines the formula that is used to calculate the baud rate. The value in the BRG register, N, which is used in the following baud rate calculation formula determines the division factor. Note that N is the decimal value placed in the BRG register and has a range of between 0 and 255.

UCR2 BRGH Bit	0	1
Baud Rate (BR)	$\frac{f_{sys}}{[64(N+1)]}$	$\frac{f_{sys}}{[16(N+1)]}$

By programming the BRGH bit which allows selection of the related formula and programming the required value in the BRG register, the required baud rate can be setup. Note that because the actual baud rate is determined using a discrete value, N, placed in the BRG register, there will be an error associated between the actual and requested value. The following example shows how the BRG register value N and the error value can be calculated.

BRG Register

Bit	7	6	5	4	3	2	1	0
Name	BRG7	BRG6	BRG5	BRG4	BRG3	BRG2	BRG1	BRG0
R/W	R/W	R/W	R/W	R/W	R/W	R/W	R/W	R/W
POR	x	x	x	x	x	x	x	x

"x": unknown

Bit 7~0 **BRG7~BRG0**: Baud Rate values

By programming the BRGH bit in the UCR2 register which allows selection of the related formula described above and programming the required value in the BRG register, the required baud rate can be setup.

Calculating the Baud Rate and Error Values

For a clock frequency of 4MHz, and with BRGH set to 0 determine the BRG register value N, the actual baud rate and the error value for a desired baud rate of 4800.

$$\text{From the above table the desired baud rate } BR = \frac{f_{\text{sys}}}{[64(N+1)]}$$

$$\text{Re-arranging this equation gives } N = \frac{f_{\text{sys}}}{(BR \times 64)} - 1$$

$$\text{Giving a value for } N = \frac{4000000}{(4800 \times 64)} - 1 = 12.0208$$

To obtain the closest value, a decimal value of 12 should be placed into the BRG register. This gives an actual or calculated baud rate value of $BR = \frac{4000000}{[64(12+1)]} = 4808$

$$\text{Therefore the error is equal to } \frac{4808 - 4800}{4800} = 0.16\%$$

UART Setup and Control

For data transfer, the UART function utilizes a non-return-to-zero, more commonly known as NRZ, format. This is composed of one start bit, eight or nine data bits and one or two stop bits. Parity is supported by the UART hardware and can be setup to be even, odd or no parity. For the most common data format, 8 data bits along with no parity and one stop bit, denoted as 8, N, 1, is used as the default setting, which is the setting at power-on. The number of data bits and stop bits, along with the parity, are setup by programming the corresponding BNO, PRT, PREN and STOPS bits in the UCR1 register. The baud rate used to transmit and receive data is setup using the internal 8-bit baud rate generator, while the data is transmitted and received LSB first. Although the transmitter and receiver of the UART are functionally independent, they both use the same data format and baud rate. In all cases stop bits will be used for data transmission.

Enabling/Disabling the UART Interface

The basic on/off function of the internal UART function is controlled using the UARTEN bit in the UCR1 register. If the UARTEN, TXEN and RXEN bits are set, then these two UART pins will act as normal TX output pin and RX input pin respectively. If no data is being transmitted on the TX pin, then it will default to a logic high value.

Clearing the UARTEN bit will disable the TX and RX pins and these two pins will be used as an I/O or other pin-shared functional pin. When the UART function is disabled, the buffer will be reset to an empty condition, at the same time discarding any remaining residual data. Disabling the UART will also reset the enable control, the error and status flags with bits TXEN, RXEN, TXBRK, RXIF, OERR, FERR, PERR and NF being cleared while bits TIDLE, TXIF and RIDLE will be set. The remaining control bits in the UCR1, UCR2 and BRG registers will remain unaffected. If the UARTEN bit in the UCR1 register is cleared while the UART is active, then all pending transmissions and receptions will be immediately suspended and the UART will be reset to a condition as defined above. If the UART is then subsequently re-enabled, it will restart again in the same configuration.

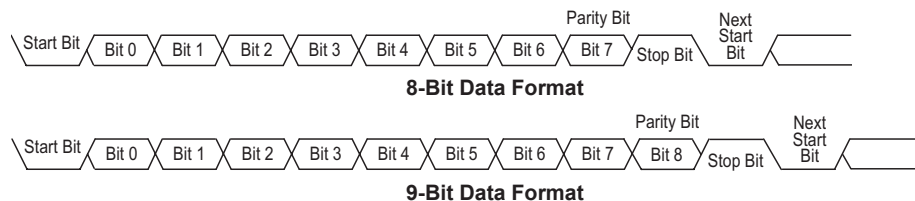
Data, Parity and Stop Bit Selection

The format of the data to be transferred is composed of various factors such as data bit length, parity on/off, parity type, address bits and the number of stop bits. These factors are determined by the setup of various bits within the UCR1 register. The BNO bit controls the number of data bits which can be set to either 8 or 9. The PRT bit controls the choice if odd or even parity. The PREN bit controls the parity on/off function. The STOPS bit decides whether one or two stop bits are to be used. The following table shows various formats for data transmission. The address detect mode control bit identifies the frame as an address character. The number of stop bits, which can be either one or two, is independent of the data length.

Start Bit	Data Bits	Address Bits	Parity Bit	Stop Bit
Example of 8-bit Data Formats				
1	8	0	0	1
1	7	0	1	1
1	7	1	0	1
Example of 9-bit Data Formats				
1	9	0	0	1
1	8	0	1	1
1	8	1	0	1

Transmitter Receiver Data Format

The following diagram shows the transmit and receive waveforms for both 8-bit and 9-bit data formats.



UART Transmitter

Data word lengths of either 8 or 9 bits can be selected by programming the BNO bit in the UCR1 register. When BNO bit is set, the word length will be set to 9 bits. In this case the 9th bit, which is the MSB, needs to be stored in the TX8 bit in the UCR1 register. At the transmitter core lies the Transmitter Shift Register, more commonly known as the TSR, whose data is obtained from the transmit data register, which is known as the TXR register. The data to be transmitted is loaded into this TXR register by the application program. The TSR register is not written to with new data until the stop bit from the previous transmission has been sent out. As soon as this stop bit has been transmitted, the TSR can then be loaded with new data from the TXR register, if it is available. It should be noted that the TSR register, unlike many other registers, is not directly mapped into the Data Memory area and as such is not available to the application program for direct read/write operations. An actual transmission of data will normally be enabled when the TXEN bit is set, but the data will not be transmitted until the TXR register has been loaded with data and the baud rate generator has defined a shift clock source. However, the transmission can also be initiated by first loading data into the TXR register, after which the TXEN bit can be set. When a transmission of data begins, the TSR is normally empty, in which case a transfer to the TXR register will result in an immediate transfer to the TSR. If during a transmission the TXEN bit is cleared, the transmission will immediately cease and the transmitter will be reset. The TX output pin will then return to the I/O or other pin-shared function.

Transmitting Data

When the UART is transmitting data, the data is shifted on the TX pin from the shift register, with the least significant bit LSB first. In the transmit mode, the TXR register forms a buffer between the internal bus and the transmitter shift register. It should be noted that if 9-bit data format has been selected, then the MSB will be taken from the TX8 bit in the UCR1 register. The steps to initiate a data transfer can be summarized as follows:

- Make the correct selection of the BNO, PRT, PREN and STOPS bits to define the required word length, parity type and number of stop bits.
- Setup the BRG register to select the desired baud rate.
- Set the TXEN bit to ensure that the UART transmitter is enabled and the TX pin is used as a UART transmitter pin.
- Access the USR register and write the data that is to be transmitted into the TXR register. Note that this step will clear the TXIF bit.

This sequence of events can now be repeated to send additional data. It should be noted that when TXIF=0, data will be inhibited from being written to the TXR register. Clearing the TXIF flag is always achieved using the following software sequence:

1. A USR register access
2. A TXR register write execution

The read-only TXIF flag is set by the UART hardware and if set indicates that the TXR register is empty and that other data can now be written into the TXR register without overwriting the previous data. If the TEIE bit is set, then the TXIF flag will generate an interrupt. During a data transmission, a write instruction to the TXR register will place the data into the TXR register, which will be copied to the shift register at the end of the present transmission. When there is no data transmission in progress, a write instruction to the TXR register will place the data directly into the shift register, resulting in the commencement of data transmission, and the TXIF bit being immediately set. When a frame transmission is complete, which happens after stop bits are sent or after the break frame, the TIDLE bit will be set. To clear the TIDLE bit the following software sequence is used:

1. A USR register access
2. A TXR register write execution

Note that both the TXIF and TIDLE bits are cleared by the same software sequence.

Transmitting Break

If the TXBRK bit is set, then the break characters will be sent on the next transmission. Break character transmission consists of a start bit, followed by $13 \times N$ "0" bits, where $N=1, 2, \text{etc.}$ If a break character is to be transmitted, then the TXBRK bit must be first set by the application program and then cleared to generate the stop bits. Transmitting a break character will not generate a transmit interrupt. Note that a break condition length is at least 13 bits long. If the TXBRK bit is continually kept at a logic high level, then the transmitter circuitry will transmit continuous break characters. After the application program has cleared the TXBRK bit, the transmitter will finish transmitting the last break character and subsequently send out one or two stop bits. The automatic logic high at the end of the last break character will ensure that the start bit of the next frame is recognized.

UART Receiver

The UART is capable of receiving word lengths of either 8 or 9 bits can be selected by programming the BNO bit in the UCR1 register. When BNO bit is set, the word length will be set to 9 bits. In this case the 9th bit, which is the MSB, will be stored in the RX8 bit in the UCR1 register. At the receiver core lies the Receiver Shift Register more commonly known as the RSR. The data which is received on the RX external input pin is sent to the data recovery block. The data recovery block operating speed is 16 times that of the baud rate, while the main receive serial shifter operates at the baud rate. After the RX pin is sampled for the stop bit, the received data in RSR is transferred to the receive data register, if the register is empty. The data which is received on the external RX input pin is sampled three times by a majority detect circuit to determine the logic level that has been placed onto the RX pin. It should be noted that the RSR register, unlike many other registers, is not directly mapped into the Data Memory area and as such is not available to the application program for direct read/write operations.

Receiving Data

When the UART receiver is receiving data, the data is serially shifted in on the external RX input pin to the shift register, with the least significant bit LSB first. The RXR register is a two byte deep FIFO data buffer, where two bytes can be held in the FIFO while the 3rd byte can continue to be received. Note that the application program must ensure that the data is read from RXR before the 3rd byte has been completely shifted in, otherwise the 3rd byte will be discarded and an overrun error OERR will be subsequently indicated. The steps to initiate a data transfer can be summarized as follows:

- Make the correct selection of the BNO, PRT, PREN and STOPS bits to define the required word length, parity type and number of stop bits.
- Setup the BRG register to select the desired baud rate.
- Set the RXEN bit to ensure that the UART receiver is enabled and the RX pin is used as a UART receiver pin.

At this point the receiver will be enabled which will begin to look for a start bit.

When a character is received, the following sequence of events will occur:

- The RXIF bit in the USR register will be set then RXR register has data available, at least one more character can be read.
- When the contents of the shift register have been transferred to the RXR register and if the RIE bit is set, then an interrupt will be generated.
- If during reception, a frame error, noise error, parity error or an overrun error has been detected, then the error flags can be set.

The RXIF bit can be cleared using the following software sequence:

1. A USR register access
2. A RXR register read execution

Receiving Break

Any break character received by the UART will be managed as a framing error. The receiver will count and expect a certain number of bit times as specified by the values programmed into the BNO and STOPS bits. If the break is much longer than 13 bit times, the reception will be considered as complete after the number of bit times specified by BNO and STOPS. The RXIF bit is set, FERR is set, zeros are loaded into the receive data register, interrupts are generated if appropriate and the RIDLE bit is set. If a long break signal has been detected and the receiver has received a start bit, the data bits and the invalid stop bit, which sets the FERR flag, the receiver must wait for a valid stop bit before looking for the next start bit. The receiver will not make the assumption that the break condition on the line is the next start bit. A break is regarded as a character that contains only zeros with the FERR flag set. The break character will be loaded into the buffer and no further data will be received until stop bits are received. It should be noted that the RIDLE read only flag will go high when the stop bits have not yet been received. The reception of a break character on the UART registers will result in the following:

- The framing error flag, FERR, will be set.
- The receive data register, RXR, will be cleared.
- The OERR, NF, PERR, RIDLE or RXIF flags will possibly be set.

Idle Status

When the receiver is reading data, which means it will be in between the detection of a start bit and the reading of a stop bit, the receiver status flag in the USR register, otherwise known as the RIDLE flag, will have a zero value. In between the reception of a stop bit and the detection of the next start bit, the RIDLE flag will have a high value, which indicates the receiver is in an idle condition.

Receiver Interrupt

The read only receive interrupt flag, RXIF, in the USR register is set by an edge generated by the receiver. An interrupt is generated if RIE=1, when a word is transferred from the Receive Shift Register, RSR, to the Receive Data Register, RXR. An overrun error can also generate an interrupt if RIE=1.

Managing Receiver Errors

Several types of reception errors can occur within the UART module, the following section describes the various types and how they are managed by the UART.

Overrun Error – OERR

The RXR register is composed of a two byte deep FIFO data buffer, where two bytes can be held in the FIFO register, while a 3th byte can continue to be received. Before the 3th byte has been entirely shifted in, the data should be read from the RXR register. If this is not done, the overrun error flag OERR will be consequently indicated.

In the event of an overrun error occurring, the following will happen:

- The OERR flag in the USR register will be set.
- The RXR contents will not be lost.
- The shift register will be overwritten.
- An interrupt will be generated if the RIE bit is set.

The OERR flag can be cleared by an access to the USR register followed by a read to the RXR register.

Noise Error – NF

Over-sampling is used for data recovery to identify valid incoming data and noise. If noise is detected within a frame, the following will occur:

- The read only noise flag, NF, in the USR register will be set on the rising edge of the RXIF bit.
- Data will be transferred from the shift register to the RXR register.
- No interrupt will be generated. However this bit rises at the same time as the RXIF bit which itself generates an interrupt.

Note that the NF flag is reset by a USR register read operation followed by an RXR register read operation.

Framing Error – FERR

The read only framing error flag, FERR, in the USR register, is set if a zero is detected instead of stop bits. If two stop bits are selected, both stop bits must be high. Otherwise the FERR flag will be set. The FERR flag is buffered along with the received data and is cleared in any reset.

Parity Error – PERR

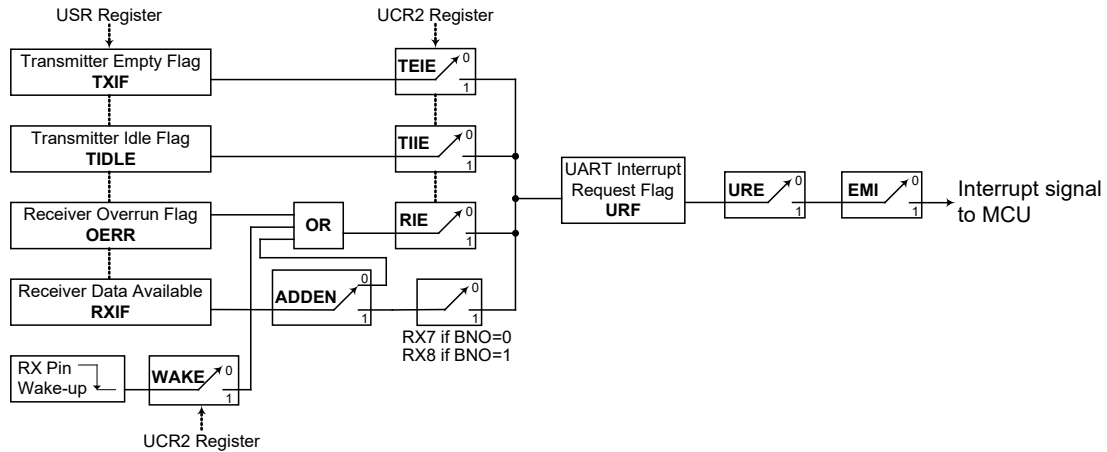
The read only parity error flag, PERR, in the USR register, is set if the parity of the received word is incorrect. This error flag is only applicable if the parity function is enabled, PREN=1, and if the parity type, odd or even, is selected. The read only PERR flag is buffered along with the received data bytes. It is cleared on any reset, it should be noted that the FERR and PERR flags are buffered along with the corresponding word and should be read before reading the data word.

UART Interrupt Structure

Several individual UART conditions can generate a UART interrupt. When these conditions exist, a low pulse will be generated to get the attention of the microcontroller. These conditions are a transmitter data register empty, transmitter idle, receiver data available, receiver overrun, address detect and an RX pin wake-up. When any of these conditions are created, if its corresponding interrupt control is enabled and the stack is not full, the program will jump to its corresponding interrupt vector where it can be serviced before returning to the main program. Four of these conditions have the corresponding USR register flags which will generate a UART interrupt if its associated interrupt enable control bit in the UCR2 register is set. The two transmitter interrupt conditions have their own corresponding enable control bits, while the two receiver interrupt conditions have a shared enable control bit. These enable bits can be used to mask out individual UART interrupt sources.

The address detect condition, which is also a UART interrupt source, does not have an associated flag, but will generate a UART interrupt when an address detect condition occurs if its function is enabled by setting the ADDEN bit in the UCR2 register. An RX pin wake-up, which is also a UART interrupt source, does not have an associated flag, but will generate a UART interrupt if the microcontroller is woken up from IDLE0 or SLEEP mode by a falling edge on the RX pin, if the WAKE and RIE bits in the UCR2 register are set. Note that in the event of an RX wake-up interrupt occurring, there will be a certain period of delay, commonly known as the System Start-up Time, for the oscillator to restart and stabilize before the system resumes normal operation.

Note that the USR register flags are read only and cannot be cleared or set by the application program, neither will they be cleared when the program jumps to the corresponding interrupt servicing routine, as is the case for some of the other interrupts. The flags will be cleared automatically when certain actions are taken by the UART, the details of which are given in the UART register section. The overall UART interrupt can be disabled or enabled by the related interrupt enable control bits in the interrupt control registers of the microcontroller to decide whether the interrupt requested by the UART module is masked out or allowed.



UART Interrupt Structure

Address Detect Mode

Setting the Address Detect function enable control bit, ADDEN, in the UCR2 register, enables this special function. If this bit is set to 1, then an additional qualifier will be placed on the generation of a Receiver Data Available interrupt, which is requested by the RXIF flag. If the ADDEN bit is equal to 1, then when the data is available, an interrupt will only be generated, if the highest received bit has a high value. Note that the related interrupt enable control bit and the EMI bit of the microcontroller must also be enabled for correct interrupt generation. The highest address bit is the 9th bit if the bit BNO=1 or the 8th bit if the bit BNO=0. If the highest bit is high, then the received word will be defined as an address rather than data. A Data Available interrupt will be generated every time the last bit of the received word is set. If the ADDEN bit is equal to 0, then a Receive Data Available interrupt will be generated each time the RXIF flag is set, irrespective of the data last but status. The address detection and parity functions are mutually exclusive functions. Therefore, if the address detect function is enabled, then to ensure correct operation, the parity function should be disabled by resetting the parity function enable bit PREN to zero.

ADDEN	Bit 9 if BNO=1 Bit 8 if BNO=0	UART Interrupt Generated
0	0	√
	1	√
1	0	X
	1	√

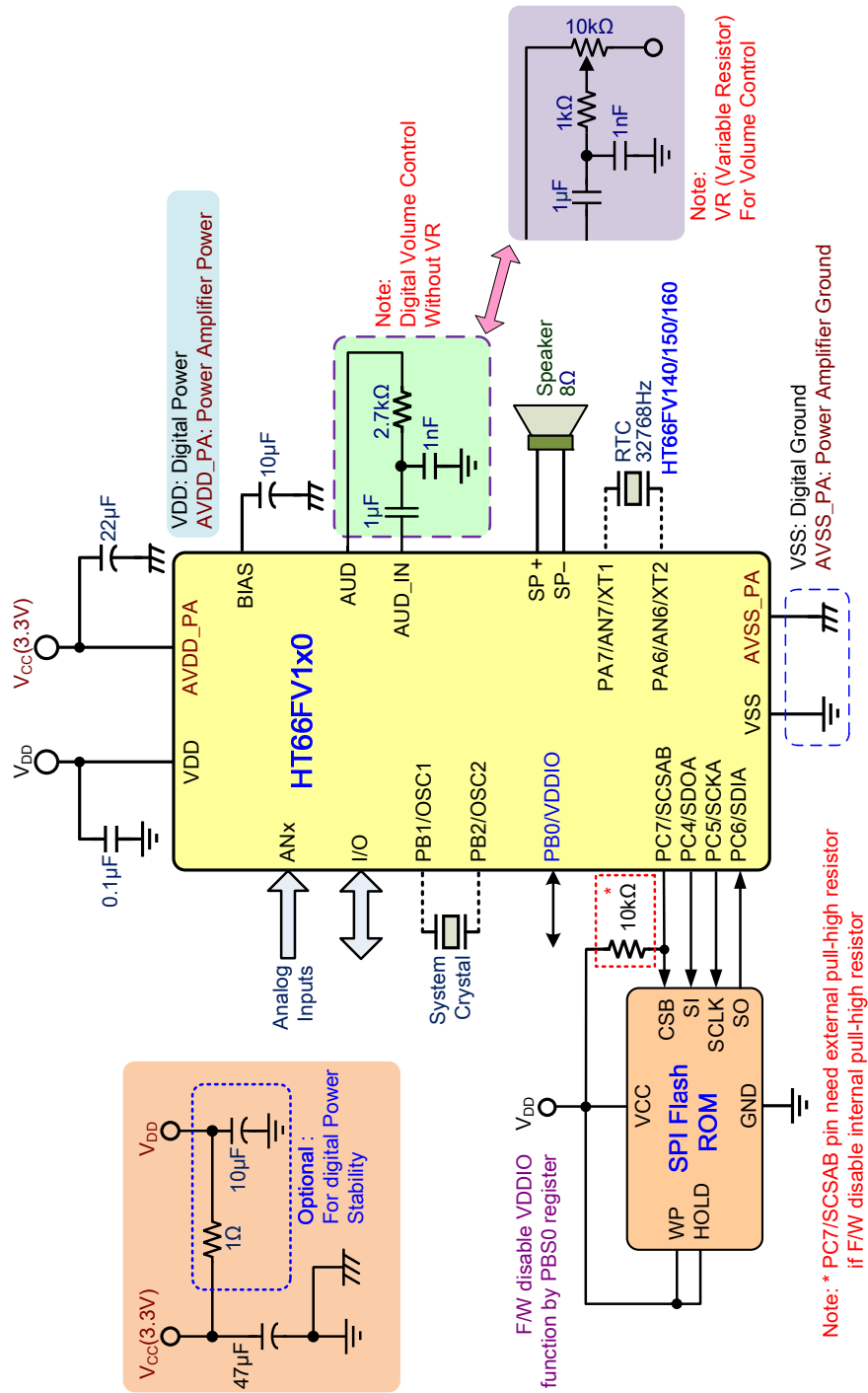
ADDEN Bit Function

UART Power Down and Wake-up

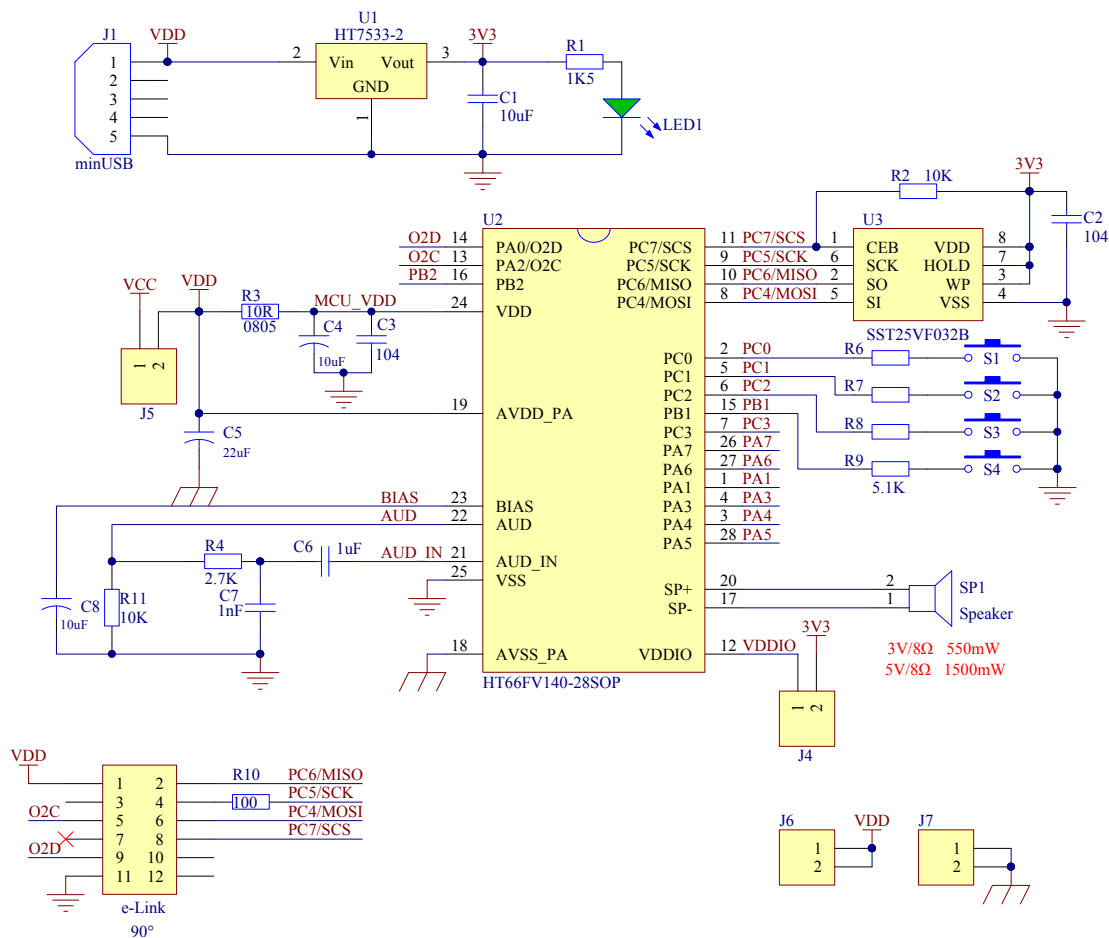
When the MCU system clock is switched off, the UART will cease to function. If the MCU executes the "HALT" instruction and switches off the system clock while a transmission is still in progress, then the transmission will be paused until the UART clock source derived from the microcontroller is activated. In a similar way, if the MCU executes the "HALT" instruction and switches off the system clock while receiving data, then the reception of data will likewise be paused. When the MCU enters the IDLE or SLEEP Mode, note that the USR, UCR1, UCR2, transmit and receive registers, as well as the BRG register will not be affected. It is recommended to make sure first that the UART data transmission or reception has been finished before the microcontroller enters the IDLE or SLEEP mode.

The UART function contains a receiver RX pin wake-up function, which is enabled or disabled by the WAKE bit in the UCR2 register. If this bit, along with the UART enable bit, UARTEN, the receiver enable bit, RXEN and the receiver interrupt bit, RIE, are all set before the MCU enters the IDLE0 or SLEEP Mode, then a falling edge on the RX pin will wake up the MCU from the IDLE0 or SLEEP Mode. Note that as it takes certain system clock cycles after a wake-up, before normal microcontroller operation resumes, any data received during this time on the RX pin will be ignored. For a UART wake-up interrupt to occur, in addition to the bits for the wake-up being set, the global interrupt enable bit, EMI, and the UART interrupt enable bit, URE, must be set. If the EMI and URE bits are not set then only a wake up event will occur and no interrupt will be generated. Note also that as it takes certain system clock cycles after a wake-up before normal microcontroller resumes, the UART interrupt will not be generated until after this time has elapsed.

Application Circuit (3V)



Holtek Voice MCU Workshop Demo Board (HT66FV140)



Note: Since SCK signal of SPI Flash ROM is very sensitive, e-Link connector of Demo Board should connect to e-Link directly by pins not by cable and R10(100Ω) is required when evaluating voice play function using HT-IDE3000.

Instruction Set

Introduction

Central to the successful operation of any microcontroller is its instruction set, which is a set of program instruction codes that directs the microcontroller to perform certain operations. In the case of Holtek microcontroller, a comprehensive and flexible set of over 60 instructions is provided to enable programmers to implement their application with the minimum of programming overheads.

For easier understanding of the various instruction codes, they have been subdivided into several functional groupings.

Instruction Timing

Most instructions are implemented within one instruction cycle. The exceptions to this are branch, call, or table read instructions where two instruction cycles are required. One instruction cycle is equal to 4 system clock cycles, therefore in the case of an 8MHz system oscillator, most instructions would be implemented within 0.5 μ s and branch or call instructions would be implemented within 1 μ s. Although instructions which require one more cycle to implement are generally limited to the JMP, CALL, RET, RETI and table read instructions, it is important to realize that any other instructions which involve manipulation of the Program Counter Low register or PCL will also take one more cycle to implement. As instructions which change the contents of the PCL will imply a direct jump to that new address, one more cycle will be required. Examples of such instructions would be “CLR PCL” or “MOV PCL, A”. For the case of skip instructions, it must be noted that if the result of the comparison involves a skip operation then this will also take one more cycle, if no skip is involved then only one cycle is required.

Moving and Transferring Data

The transfer of data within the microcontroller program is one of the most frequently used operations. Making use of several kinds of MOV instructions, data can be transferred from registers to the Accumulator and vice-versa as well as being able to move specific immediate data directly into the Accumulator. One of the most important data transfer applications is to receive data from the input ports and transfer data to the output ports.

Arithmetic Operations

The ability to perform certain arithmetic operations and data manipulation is a necessary feature of most microcontroller applications. Within the Holtek microcontroller instruction set are a range of add and subtract instruction mnemonics to enable the necessary arithmetic to be carried out. Care must be taken to ensure correct handling of carry and borrow data when results exceed 255 for addition and less than 0 for subtraction. The increment and decrement instructions such as INC, INCA, DEC and DECA provide a simple means of increasing or decreasing by a value of one of the values in the destination specified.

Logical and Rotate Operation

The standard logical operations such as AND, OR, XOR and CPL all have their own instruction within the Holtek microcontroller instruction set. As with the case of most instructions involving data manipulation, data must pass through the Accumulator which may involve additional programming steps. In all logical data operations, the zero flag may be set if the result of the operation is zero. Another form of logical data manipulation comes from the rotate instructions such as RR, RL, RRC and RLC which provide a simple means of rotating one bit right or left. Different rotate instructions exist depending on program requirements. Rotate instructions are useful for serial port programming applications where data can be rotated from an internal register into the Carry bit from where it can be examined and the necessary serial bit set high or low. Another application which rotate data operations are used is to implement multiplication and division calculations.

Branches and Control Transfer

Program branching takes the form of either jumps to specified locations using the JMP instruction or to a subroutine using the CALL instruction. They differ in the sense that in the case of a subroutine call, the program must return to the instruction immediately when the subroutine has been carried out. This is done by placing a return instruction “RET” in the subroutine which will cause the program to jump back to the address right after the CALL instruction. In the case of a JMP instruction, the program simply jumps to the desired location. There is no requirement to jump back to the original jumping off point as in the case of the CALL instruction. One special and extremely useful set of branch instructions are the conditional branches. Here a decision is first made regarding the condition of a certain data memory or individual bits. Depending upon the conditions, the program will continue with the next instruction or skip over it and jump to the following instruction. These instructions are the key to decision making and branching within the program perhaps determined by the condition of certain input switches or by the condition of internal data bits.

Bit Operations

The ability to provide single bit operations on Data Memory is an extremely flexible feature of all Holtek microcontrollers. This feature is especially useful for output port bit programming where individual bits or port pins can be directly set high or low using either the “SET [m].i” or “CLR [m].i” instructions respectively. The feature removes the need for programmers to first read the 8-bit output port, manipulate the input data to ensure that other bits are not changed and then output the port with the correct new data. This read-modify-write process is taken care of automatically when these bit operation instructions are used.

Table Read Operations

Data storage is normally implemented by using registers. However, when working with large amounts of fixed data, the volume involved often makes it inconvenient to store the fixed data in the Data Memory. To overcome this problem, Holtek microcontrollers allow an area of Program Memory to be setup as a table where data can be directly stored. A set of easy to use instructions provides the means by which this fixed data can be referenced and retrieved from the Program Memory.

Other Operations

In addition to the above functional instructions, a range of other instructions also exist such as the “HALT” instruction for Power-down operations and instructions to control the operation of the Watchdog Timer for reliable program operations under extreme electric or electromagnetic environments. For their relevant operations, refer to the functional related sections.

Instruction Set Summary

The instructions related to the data memory access in the following table can be used when the desired data memory is located in Data Memory sector 0.

Table Conventions

x: Bits immediate data
m: Data Memory address
A: Accumulator
i: 0~7 number of bits
addr: Program memory address

Mnemonic	Description	Cycles	Flag Affected
Arithmetic			
ADD A,[m]	Add Data Memory to ACC	1	Z, C, AC, OV, SC
ADDM A,[m]	Add ACC to Data Memory	1 ^{Note}	Z, C, AC, OV, SC
ADD A,x	Add immediate data to ACC	1	Z, C, AC, OV, SC
ADC A,[m]	Add Data Memory to ACC with Carry	1	Z, C, AC, OV, SC
ADCM A,[m]	Add ACC to Data memory with Carry	1 ^{Note}	Z, C, AC, OV, SC
SUB A,x	Subtract immediate data from the ACC	1	Z, C, AC, OV, SC, CZ
SUB A,[m]	Subtract Data Memory from ACC	1	Z, C, AC, OV, SC, CZ
SUBM A,[m]	Subtract Data Memory from ACC with result in Data Memory	1 ^{Note}	Z, C, AC, OV, SC, CZ
SBC A,x	Subtract immediate data from ACC with Carry	1	Z, C, AC, OV, SC, CZ
SBC A,[m]	Subtract Data Memory from ACC with Carry	1	Z, C, AC, OV, SC, CZ
SBCM A,[m]	Subtract Data Memory from ACC with Carry, result in Data Memory	1 ^{Note}	Z, C, AC, OV, SC, CZ
DAA [m]	Decimal adjust ACC for Addition with result in Data Memory	1 ^{Note}	C
Logic Operation			
AND A,[m]	Logical AND Data Memory to ACC	1	Z
OR A,[m]	Logical OR Data Memory to ACC	1	Z
XOR A,[m]	Logical XOR Data Memory to ACC	1	Z
ANDM A,[m]	Logical AND ACC to Data Memory	1 ^{Note}	Z
ORM A,[m]	Logical OR ACC to Data Memory	1 ^{Note}	Z
XORM A,[m]	Logical XOR ACC to Data Memory	1 ^{Note}	Z
AND A,x	Logical AND immediate Data to ACC	1	Z
OR A,x	Logical OR immediate Data to ACC	1	Z
XOR A,x	Logical XOR immediate Data to ACC	1	Z
CPL [m]	Complement Data Memory	1 ^{Note}	Z
CPLA [m]	Complement Data Memory with result in ACC	1	Z
Increment & Decrement			
INCA [m]	Increment Data Memory with result in ACC	1	Z
INC [m]	Increment Data Memory	1 ^{Note}	Z
DECA [m]	Decrement Data Memory with result in ACC	1	Z
DEC [m]	Decrement Data Memory	1 ^{Note}	Z
Rotate			
RRA [m]	Rotate Data Memory right with result in ACC	1	None
RR [m]	Rotate Data Memory right	1 ^{Note}	None
RRCA [m]	Rotate Data Memory right through Carry with result in ACC	1	C
RRC [m]	Rotate Data Memory right through Carry	1 ^{Note}	C
RLA [m]	Rotate Data Memory left with result in ACC	1	None
RL [m]	Rotate Data Memory left	1 ^{Note}	None
RLCA [m]	Rotate Data Memory left through Carry with result in ACC	1	C
RLC [m]	Rotate Data Memory left through Carry	1 ^{Note}	C

Mnemonic	Description	Cycles	Flag Affected
Data Move			
MOV A,[m]	Move Data Memory to ACC	1	None
MOV [m],A	Move ACC to Data Memory	1 ^{Note}	None
MOV A,x	Move immediate data to ACC	1	None
Bit Operation			
CLR [m].i	Clear bit of Data Memory	1 ^{Note}	None
SET [m].i	Set bit of Data Memory	1 ^{Note}	None
Branch Operation			
JMP addr	Jump unconditionally	2	None
SZ [m]	Skip if Data Memory is zero	1 ^{Note}	None
SZA [m]	Skip if Data Memory is zero with data movement to ACC	1 ^{Note}	None
SZ [m].i	Skip if bit i of Data Memory is zero	1 ^{Note}	None
SNZ [m]	Skip if Data Memory is not zero	1 ^{Note}	None
SNZ [m].i	Skip if bit i of Data Memory is not zero	1 ^{Note}	None
SIZ [m]	Skip if increment Data Memory is zero	1 ^{Note}	None
SDZ [m]	Skip if decrement Data Memory is zero	1 ^{Note}	None
SIZA [m]	Skip if increment Data Memory is zero with result in ACC	1 ^{Note}	None
SDZA [m]	Skip if decrement Data Memory is zero with result in ACC	1 ^{Note}	None
CALL addr	Subroutine call	2	None
RET	Return from subroutine	2	None
RET A,x	Return from subroutine and load immediate data to ACC	2	None
RETI	Return from interrupt	2	None
Table Read Operation			
TABRD [m]	Read table (specific page) to TBLH and Data Memory	2 ^{Note}	None
TABRDL [m]	Read table (last page) to TBLH and Data Memory	2 ^{Note}	None
ITABRD [m]	Increment table pointer TBLP first and Read table (specific page) to TBLH and Data Memory	2 ^{Note}	None
ITABRDL [m]	Increment table pointer TBLP first and Read table (last page) to TBLH and Data Memory	2 ^{Note}	None
Miscellaneous			
NOP	No operation	1	None
CLR [m]	Clear Data Memory	1 ^{Note}	None
SET [m]	Set Data Memory	1 ^{Note}	None
CLR WDT	Clear Watchdog Timer	1	TO, PDF
SWAP [m]	Swap nibbles of Data Memory	1 ^{Note}	None
SWAPA [m]	Swap nibbles of Data Memory with result in ACC	1	None
HALT	Enter power down mode	1	TO, PDF

Note: 1. For skip instructions, if the result of the comparison involves a skip then two cycles are required, if no skip takes place only one cycle is required.

2. Any instruction which changes the contents of the PCL will also require 2 cycles for execution.

Extended Instruction Set

The extended instructions are used to support the full range address access for the data memory. When the accessed data memory is located in any data memory sector except sector 0, the extended instruction can be used to directly access the data memory instead of using the indirect addressing access. This can not only reduce the use of Flash memory space but also improve the CPU execution efficiency.

Mnemonic	Description	Cycles	Flag Affected
Arithmetic			
LADD A,[m]	Add Data Memory to ACC	2	Z, C, AC, OV, SC
LADDM A,[m]	Add ACC to Data Memory	2 ^{Note}	Z, C, AC, OV, SC
LADC A,[m]	Add Data Memory to ACC with Carry	2	Z, C, AC, OV, SC
LADCM A,[m]	Add ACC to Data memory with Carry	2 ^{Note}	Z, C, AC, OV, SC
LSUB A,[m]	Subtract Data Memory from ACC	2	Z, C, AC, OV, SC, CZ
LSUBM A,[m]	Subtract Data Memory from ACC with result in Data Memory	2 ^{Note}	Z, C, AC, OV, SC, CZ
LSBC A,[m]	Subtract Data Memory from ACC with Carry	2	Z, C, AC, OV, SC, CZ
LSBCM A,[m]	Subtract Data Memory from ACC with Carry, result in Data Memory	2 ^{Note}	Z, C, AC, OV, SC, CZ
LDAA [m]	Decimal adjust ACC for Addition with result in Data Memory	2 ^{Note}	C
Logic Operation			
LAND A,[m]	Logical AND Data Memory to ACC	2	Z
LOR A,[m]	Logical OR Data Memory to ACC	2	Z
LXOR A,[m]	Logical XOR Data Memory to ACC	2	Z
LANDM A,[m]	Logical AND ACC to Data Memory	2 ^{Note}	Z
LORM A,[m]	Logical OR ACC to Data Memory	2 ^{Note}	Z
LXORM A,[m]	Logical XOR ACC to Data Memory	2 ^{Note}	Z
LCPL [m]	Complement Data Memory	2 ^{Note}	Z
LCPLA [m]	Complement Data Memory with result in ACC	2	Z
Increment & Decrement			
LINCA [m]	Increment Data Memory with result in ACC	2	Z
LINC [m]	Increment Data Memory	2 ^{Note}	Z
LDECA [m]	Decrement Data Memory with result in ACC	2	Z
LDEC [m]	Decrement Data Memory	2 ^{Note}	Z
Rotate			
LRRRA [m]	Rotate Data Memory right with result in ACC	2	None
LRR [m]	Rotate Data Memory right	2 ^{Note}	None
LRRCA [m]	Rotate Data Memory right through Carry with result in ACC	2	C
LRRC [m]	Rotate Data Memory right through Carry	2 ^{Note}	C
LRLA [m]	Rotate Data Memory left with result in ACC	2	None
LRL [m]	Rotate Data Memory left	2 ^{Note}	None
LRLCA [m]	Rotate Data Memory left through Carry with result in ACC	2	C
LRLC [m]	Rotate Data Memory left through Carry	2 ^{Note}	C
Data Move			
LMOV A,[m]	Move Data Memory to ACC	2	None
LMOV [m],A	Move ACC to Data Memory	2 ^{Note}	None
Bit Operation			
LCLR [m].i	Clear bit of Data Memory	2 ^{Note}	None
LSET [m].i	Set bit of Data Memory	2 ^{Note}	None

Mnemonic	Description	Cycles	Flag Affected
Branch			
LSZ [m]	Skip if Data Memory is zero	2 ^{Note}	None
LSZA [m]	Skip if Data Memory is zero with data movement to ACC	2 ^{Note}	None
LSNZ [m]	Skip if Data Memory is not zero	2 ^{Note}	None
LSZ [m].i	Skip if bit i of Data Memory is zero	2 ^{Note}	None
LSNZ [m].i	Skip if bit i of Data Memory is not zero	2 ^{Note}	None
LSIZ [m]	Skip if increment Data Memory is zero	2 ^{Note}	None
LSDZ [m]	Skip if decrement Data Memory is zero	2 ^{Note}	None
LSIZA [m]	Skip if increment Data Memory is zero with result in ACC	2 ^{Note}	None
LSDZA [m]	Skip if decrement Data Memory is zero with result in ACC	2 ^{Note}	None
Table Read			
LTABRD [m]	Read table (specific page) to TBLH and Data Memory	3 ^{Note}	None
LTABRDL [m]	Read table (last page) to TBLH and Data Memory	3 ^{Note}	None
LITABRD [m]	Increment table pointer TBLP first and Read table (specific page) to TBLH and Data Memory	3 ^{Note}	None
LITABRDL [m]	Increment table pointer TBLP first and Read table (last page) to TBLH and Data Memory	3 ^{Note}	None
Miscellaneous			
LCLR [m]	Clear Data Memory	2 ^{Note}	None
LSET [m]	Set Data Memory	2 ^{Note}	None
LSWAP [m]	Swap nibbles of Data Memory	2 ^{Note}	None
LSWAPA [m]	Swap nibbles of Data Memory with result in ACC	2	None

Note: 1. For these extended skip instructions, if the result of the comparison involves a skip then three cycles are required, if no skip takes place two cycles is required.

2. Any extended instruction which changes the contents of the PCL register will also require three cycles for execution.

Instruction Definition

ADC A,[m]	Add Data Memory to ACC with Carry
Description	The contents of the specified Data Memory, Accumulator and the carry flag are added. The result is stored in the Accumulator.
Operation	$ACC \leftarrow ACC + [m] + C$
Affected flag(s)	OV, Z, AC, C, SC
ADCM A,[m]	Add ACC to Data Memory with Carry
Description	The contents of the specified Data Memory, Accumulator and the carry flag are added. The result is stored in the specified Data Memory.
Operation	$[m] \leftarrow ACC + [m] + C$
Affected flag(s)	OV, Z, AC, C, SC
ADD A,[m]	Add Data Memory to ACC
Description	The contents of the specified Data Memory and the Accumulator are added. The result is stored in the Accumulator.
Operation	$ACC \leftarrow ACC + [m]$
Affected flag(s)	OV, Z, AC, C, SC
ADD A,x	Add immediate data to ACC
Description	The contents of the Accumulator and the specified immediate data are added. The result is stored in the Accumulator.
Operation	$ACC \leftarrow ACC + x$
Affected flag(s)	OV, Z, AC, C, SC
ADDM A,[m]	Add ACC to Data Memory
Description	The contents of the specified Data Memory and the Accumulator are added. The result is stored in the specified Data Memory.
Operation	$[m] \leftarrow ACC + [m]$
Affected flag(s)	OV, Z, AC, C, SC
AND A,[m]	Logical AND Data Memory to ACC
Description	Data in the Accumulator and the specified Data Memory perform a bitwise logical AND operation. The result is stored in the Accumulator.
Operation	$ACC \leftarrow ACC \text{ "AND" } [m]$
Affected flag(s)	Z
AND A,x	Logical AND immediate data to ACC
Description	Data in the Accumulator and the specified immediate data perform a bit wise logical AND operation. The result is stored in the Accumulator.
Operation	$ACC \leftarrow ACC \text{ "AND" } x$
Affected flag(s)	Z
ANDM A,[m]	Logical AND ACC to Data Memory
Description	Data in the specified Data Memory and the Accumulator perform a bitwise logical AND operation. The result is stored in the Data Memory.
Operation	$[m] \leftarrow ACC \text{ "AND" } [m]$
Affected flag(s)	Z

CALL addr	Subroutine call
Description	Unconditionally calls a subroutine at the specified address. The Program Counter then increments by 1 to obtain the address of the next instruction which is then pushed onto the stack. The specified address is then loaded and the program continues execution from this new address. As this instruction requires an additional operation, it is a two cycle instruction.
Operation	Stack \leftarrow Program Counter + 1 Program Counter \leftarrow addr
Affected flag(s)	None
CLR [m]	Clear Data Memory
Description	Each bit of the specified Data Memory is cleared to 0.
Operation	[m] \leftarrow 00H
Affected flag(s)	None
CLR [m].i	Clear bit of Data Memory
Description	Bit i of the specified Data Memory is cleared to 0.
Operation	[m].i \leftarrow 0
Affected flag(s)	None
CLR WDT	Clear Watchdog Timer
Description	The TO, PDF flags and the WDT are all cleared.
Operation	WDT cleared TO \leftarrow 0 PDF \leftarrow 0
Affected flag(s)	TO, PDF
CPL [m]	Complement Data Memory
Description	Each bit of the specified Data Memory is logically complemented (1's complement). Bits which previously contained a 1 are changed to 0 and vice versa.
Operation	[m] \leftarrow $\overline{[m]}$
Affected flag(s)	Z
CPLA [m]	Complement Data Memory with result in ACC
Description	Each bit of the specified Data Memory is logically complemented (1's complement). Bits which previously contained a 1 are changed to 0 and vice versa. The complemented result is stored in the Accumulator and the contents of the Data Memory remain unchanged.
Operation	ACC \leftarrow $\overline{[m]}$
Affected flag(s)	Z
DAA [m]	Decimal-Adjust ACC for addition with result in Data Memory
Description	Convert the contents of the Accumulator value to a BCD (Binary Coded Decimal) value resulting from the previous addition of two BCD variables. If the low nibble is greater than 9 or if AC flag is set, then a value of 6 will be added to the low nibble. Otherwise the low nibble remains unchanged. If the high nibble is greater than 9 or if the C flag is set, then a value of 6 will be added to the high nibble. Essentially, the decimal conversion is performed by adding 00H, 06H, 60H or 66H depending on the Accumulator and flag conditions. Only the C flag may be affected by this instruction which indicates that if the original BCD sum is greater than 100, it allows multiple precision decimal addition.
Operation	[m] \leftarrow ACC + 00H or [m] \leftarrow ACC + 06H or [m] \leftarrow ACC + 60H or [m] \leftarrow ACC + 66H
Affected flag(s)	C

DEC [m]	Decrement Data Memory
Description	Data in the specified Data Memory is decremented by 1.
Operation	$[m] \leftarrow [m] - 1$
Affected flag(s)	Z
DECA [m]	Decrement Data Memory with result in ACC
Description	Data in the specified Data Memory is decremented by 1. The result is stored in the Accumulator. The contents of the Data Memory remain unchanged.
Operation	$ACC \leftarrow [m] - 1$
Affected flag(s)	Z
HALT	Enter power down mode
Description	This instruction stops the program execution and turns off the system clock. The contents of the Data Memory and registers are retained. The WDT and prescaler are cleared. The power down flag PDF is set and the WDT time-out flag TO is cleared.
Operation	$TO \leftarrow 0$ $PDF \leftarrow 1$
Affected flag(s)	TO, PDF
INC [m]	Increment Data Memory
Description	Data in the specified Data Memory is incremented by 1.
Operation	$[m] \leftarrow [m] + 1$
Affected flag(s)	Z
INCA [m]	Increment Data Memory with result in ACC
Description	Data in the specified Data Memory is incremented by 1. The result is stored in the Accumulator. The contents of the Data Memory remain unchanged.
Operation	$ACC \leftarrow [m] + 1$
Affected flag(s)	Z
JMP addr	Jump unconditionally
Description	The contents of the Program Counter are replaced with the specified address. Program execution then continues from this new address. As this requires the insertion of a dummy instruction while the new address is loaded, it is a two cycle instruction.
Operation	Program Counter \leftarrow addr
Affected flag(s)	None
MOV A,[m]	Move Data Memory to ACC
Description	The contents of the specified Data Memory are copied to the Accumulator.
Operation	$ACC \leftarrow [m]$
Affected flag(s)	None
MOV A,x	Move immediate data to ACC
Description	The immediate data specified is loaded into the Accumulator.
Operation	$ACC \leftarrow x$
Affected flag(s)	None
MOV [m],A	Move ACC to Data Memory
Description	The contents of the Accumulator are copied to the specified Data Memory.
Operation	$[m] \leftarrow ACC$
Affected flag(s)	None

NOP	No operation
Description	No operation is performed. Execution continues with the next instruction.
Operation	No operation
Affected flag(s)	None
OR A,[m]	Logical OR Data Memory to ACC
Description	Data in the Accumulator and the specified Data Memory perform a bitwise logical OR operation. The result is stored in the Accumulator.
Operation	ACC ← ACC "OR" [m]
Affected flag(s)	Z
OR A,x	Logical OR immediate data to ACC
Description	Data in the Accumulator and the specified immediate data perform a bitwise logical OR operation. The result is stored in the Accumulator.
Operation	ACC ← ACC "OR" x
Affected flag(s)	Z
ORM A,[m]	Logical OR ACC to Data Memory
Description	Data in the specified Data Memory and the Accumulator perform a bitwise logical OR operation. The result is stored in the Data Memory.
Operation	[m] ← ACC "OR" [m]
Affected flag(s)	Z
RET	Return from subroutine
Description	The Program Counter is restored from the stack. Program execution continues at the restored address.
Operation	Program Counter ← Stack
Affected flag(s)	None
RET A,x	Return from subroutine and load immediate data to ACC
Description	The Program Counter is restored from the stack and the Accumulator loaded with the specified immediate data. Program execution continues at the restored address.
Operation	Program Counter ← Stack ACC ← x
Affected flag(s)	None
RETI	Return from interrupt
Description	The Program Counter is restored from the stack and the interrupts are re-enabled by setting the EMI bit. EMI is the master interrupt global enable bit. If an interrupt was pending when the RETI instruction is executed, the pending Interrupt routine will be processed before returning to the main program.
Operation	Program Counter ← Stack EMI ← 1
Affected flag(s)	None
RL [m]	Rotate Data Memory left
Description	The contents of the specified Data Memory are rotated left by 1 bit with bit 7 rotated into bit 0.
Operation	[m].(i+1) ← [m].i; (i=0~6) [m].0 ← [m].7
Affected flag(s)	None

RLA [m]	Rotate Data Memory left with result in ACC
Description	The contents of the specified Data Memory are rotated left by 1 bit with bit 7 rotated into bit 0. The rotated result is stored in the Accumulator and the contents of the Data Memory remain unchanged.
Operation	ACC.(i+1) ← [m].i; (i=0~6) ACC.0 ← [m].7
Affected flag(s)	None
RLC [m]	Rotate Data Memory left through Carry
Description	The contents of the specified Data Memory and the carry flag are rotated left by 1 bit. Bit 7 replaces the Carry bit and the original carry flag is rotated into bit 0.
Operation	[m].(i+1) ← [m].i; (i=0~6) [m].0 ← C C ← [m].7
Affected flag(s)	C
RLCA [m]	Rotate Data Memory left through Carry with result in ACC
Description	Data in the specified Data Memory and the carry flag are rotated left by 1 bit. Bit 7 replaces the Carry bit and the original carry flag is rotated into the bit 0. The rotated result is stored in the Accumulator and the contents of the Data Memory remain unchanged.
Operation	ACC.(i+1) ← [m].i; (i=0~6) ACC.0 ← C C ← [m].7
Affected flag(s)	C
RR [m]	Rotate Data Memory right
Description	The contents of the specified Data Memory are rotated right by 1 bit with bit 0 rotated into bit 7.
Operation	[m].i ← [m].(i+1); (i=0~6) [m].7 ← [m].0
Affected flag(s)	None
RRA [m]	Rotate Data Memory right with result in ACC
Description	Data in the specified Data Memory is rotated right by 1 bit with bit 0 rotated into bit 7. The rotated result is stored in the Accumulator and the contents of the Data Memory remain unchanged.
Operation	ACC.i ← [m].(i+1); (i=0~6) ACC.7 ← [m].0
Affected flag(s)	None
RRC [m]	Rotate Data Memory right through Carry
Description	The contents of the specified Data Memory and the carry flag are rotated right by 1 bit. Bit 0 replaces the Carry bit and the original carry flag is rotated into bit 7.
Operation	[m].i ← [m].(i+1); (i=0~6) [m].7 ← C C ← [m].0
Affected flag(s)	C

RRCA [m]	Rotate Data Memory right through Carry with result in ACC
Description	Data in the specified Data Memory and the carry flag are rotated right by 1 bit. Bit 0 replaces the Carry bit and the original carry flag is rotated into bit 7. The rotated result is stored in the Accumulator and the contents of the Data Memory remain unchanged.
Operation	ACC.i ← [m].(i+1); (i=0~6) ACC.7 ← C C ← [m].0
Affected flag(s)	C
SBC A,[m]	Subtract Data Memory from ACC with Carry
Description	The contents of the specified Data Memory and the complement of the carry flag are subtracted from the Accumulator. The result is stored in the Accumulator. Note that if the result of subtraction is negative, the C flag will be cleared to 0, otherwise if the result is positive or zero, the C flag will be set to 1.
Operation	ACC ← ACC – [m] – \bar{C}
Affected flag(s)	OV, Z, AC, C, SC, CZ
SBC A, x	Subtract immediate data from ACC with Carry
Description	The immediate data and the complement of the carry flag are subtracted from the Accumulator. The result is stored in the Accumulator. Note that if the result of subtraction is negative, the C flag will be cleared to 0, otherwise if the result is positive or zero, the C flag will be set to 1.
Operation	ACC ← ACC – [m] – \bar{C}
Affected flag(s)	OV, Z, AC, C, SC, CZ
SBCM A,[m]	Subtract Data Memory from ACC with Carry and result in Data Memory
Description	The contents of the specified Data Memory and the complement of the carry flag are subtracted from the Accumulator. The result is stored in the Data Memory. Note that if the result of subtraction is negative, the C flag will be cleared to 0, otherwise if the result is positive or zero, the C flag will be set to 1.
Operation	[m] ← ACC – [m] – \bar{C}
Affected flag(s)	OV, Z, AC, C, SC, CZ
SDZ [m]	Skip if decrement Data Memory is 0
Description	The contents of the specified Data Memory are first decremented by 1. If the result is 0 the following instruction is skipped. As this requires the insertion of a dummy instruction while the next instruction is fetched, it is a two cycle instruction. If the result is not 0 the program proceeds with the following instruction.
Operation	[m] ← [m] – 1 Skip if [m]=0
Affected flag(s)	None
SDZA [m]	Skip if decrement Data Memory is zero with result in ACC
Description	The contents of the specified Data Memory are first decremented by 1. If the result is 0, the following instruction is skipped. The result is stored in the Accumulator but the specified Data Memory contents remain unchanged. As this requires the insertion of a dummy instruction while the next instruction is fetched, it is a two cycle instruction. If the result is not 0, the program proceeds with the following instruction.
Operation	ACC ← [m] – 1 Skip if ACC=0
Affected flag(s)	None

SET [m]	Set Data Memory
Description	Each bit of the specified Data Memory is set to 1.
Operation	$[m] \leftarrow FFH$
Affected flag(s)	None
SET [m].i	Set bit of Data Memory
Description	Bit i of the specified Data Memory is set to 1.
Operation	$[m].i \leftarrow 1$
Affected flag(s)	None
SIZ [m]	Skip if increment Data Memory is 0
Description	The contents of the specified Data Memory are first incremented by 1. If the result is 0, the following instruction is skipped. As this requires the insertion of a dummy instruction while the next instruction is fetched, it is a two cycle instruction. If the result is not 0 the program proceeds with the following instruction.
Operation	$[m] \leftarrow [m] + 1$ Skip if $[m]=0$
Affected flag(s)	None
SIZA [m]	Skip if increment Data Memory is zero with result in ACC
Description	The contents of the specified Data Memory are first incremented by 1. If the result is 0, the following instruction is skipped. The result is stored in the Accumulator but the specified Data Memory contents remain unchanged. As this requires the insertion of a dummy instruction while the next instruction is fetched, it is a two cycle instruction. If the result is not 0 the program proceeds with the following instruction.
Operation	$ACC \leftarrow [m] + 1$ Skip if $ACC=0$
Affected flag(s)	None
SNZ [m].i	Skip if bit i of Data Memory is not 0
Description	If bit i of the specified Data Memory is not 0, the following instruction is skipped. As this requires the insertion of a dummy instruction while the next instruction is fetched, it is a two cycle instruction. If the result is 0 the program proceeds with the following instruction.
Operation	Skip if $[m].i \neq 0$
Affected flag(s)	None
SNZ [m]	Skip if Data Memory is not 0
Description	The contents of the specified Data Memory are read out and then written back to the specified Data Memory again. If the specified Data Memory is not 0, the following instruction is skipped. As this requires the insertion of a dummy instruction while the next instruction is fetched, it is a two cycle instruction. If the result is 0 the program proceeds with the following instruction.
Operation	Skip if $[m] \neq 0$
Affected flag(s)	None
SUB A,[m]	Subtract Data Memory from ACC
Description	The specified Data Memory is subtracted from the contents of the Accumulator. The result is stored in the Accumulator. Note that if the result of subtraction is negative, the C flag will be cleared to 0, otherwise if the result is positive or zero, the C flag will be set to 1.
Operation	$ACC \leftarrow ACC - [m]$
Affected flag(s)	OV, Z, AC, C, SC, CZ

SUBM A,[m]	Subtract Data Memory from ACC with result in Data Memory
Description	The specified Data Memory is subtracted from the contents of the Accumulator. The result is stored in the Data Memory. Note that if the result of subtraction is negative, the C flag will be cleared to 0, otherwise if the result is positive or zero, the C flag will be set to 1.
Operation	$[m] \leftarrow ACC - [m]$
Affected flag(s)	OV, Z, AC, C, SC, CZ
SUB A,x	Subtract immediate data from ACC
Description	The immediate data specified by the code is subtracted from the contents of the Accumulator. The result is stored in the Accumulator. Note that if the result of subtraction is negative, the C flag will be cleared to 0, otherwise if the result is positive or zero, the C flag will be set to 1.
Operation	$ACC \leftarrow ACC - x$
Affected flag(s)	OV, Z, AC, C, SC, CZ
SWAP [m]	Swap nibbles of Data Memory
Description	The low-order and high-order nibbles of the specified Data Memory are interchanged.
Operation	$[m].3 \sim [m].0 \leftrightarrow [m].7 \sim [m].4$
Affected flag(s)	None
SWAPA [m]	Swap nibbles of Data Memory with result in ACC
Description	The low-order and high-order nibbles of the specified Data Memory are interchanged. The result is stored in the Accumulator. The contents of the Data Memory remain unchanged.
Operation	$ACC.3 \sim ACC.0 \leftarrow [m].7 \sim [m].4$ $ACC.7 \sim ACC.4 \leftarrow [m].3 \sim [m].0$
Affected flag(s)	None
SZ [m]	Skip if Data Memory is 0
Description	The contents of the specified Data Memory are read out and then written back to the specified Data Memory again. If the contents of the specified Data Memory is 0, the following instruction is skipped. As this requires the insertion of a dummy instruction while the next instruction is fetched, it is a two cycle instruction. If the result is not 0 the program proceeds with the following instruction.
Operation	Skip if $[m]=0$
Affected flag(s)	None
SZA [m]	Skip if Data Memory is 0 with data movement to ACC
Description	The contents of the specified Data Memory are copied to the Accumulator. If the value is zero, the following instruction is skipped. As this requires the insertion of a dummy instruction while the next instruction is fetched, it is a two cycle instruction. If the result is not 0 the program proceeds with the following instruction.
Operation	$ACC \leftarrow [m]$ Skip if $[m]=0$
Affected flag(s)	None
SZ [m].i	Skip if bit i of Data Memory is 0
Description	If bit i of the specified Data Memory is 0, the following instruction is skipped. As this requires the insertion of a dummy instruction while the next instruction is fetched, it is a two cycle instruction. If the result is not 0, the program proceeds with the following instruction.
Operation	Skip if $[m].i=0$
Affected flag(s)	None

TABRD [m]	Read table (specific page) to TBLH and Data Memory
Description	The low byte of the program code (specific page) addressed by the table pointer (TBLP and TBHP) is moved to the specified Data Memory and the high byte moved to TBLH.
Operation	[m] ← program code (low byte) TBLH ← program code (high byte)
Affected flag(s)	None
TABRDL [m]	Read table (last page) to TBLH and Data Memory
Description	The low byte of the program code (last page) addressed by the table pointer (TBLP) is moved to the specified Data Memory and the high byte moved to TBLH.
Operation	[m] ← program code (low byte) TBLH ← program code (high byte)
Affected flag(s)	None
ITABRD [m]	Increment table pointer low byte first and read table (specific page) to TBLH and Data Memory
Description	Increment table pointer low byte, TBLP, first and then the program code (specific page) addressed by the table pointer (TBHP and TBLP) is moved to the specified Data Memory and the high byte moved to TBLH.
Operation	[m] ← program code (low byte) TBLH ← program code (high byte)
Affected flag(s)	None
ITABRDL [m]	Increment table pointer low byte first and read table (last page) to TBLH and Data Memory
Description	Increment table pointer low byte, TBLP, first and then the low byte of the program code (last page) addressed by the table pointer (TBLP) is moved to the specified Data Memory and the high byte moved to TBLH.
Operation	[m] ← program code (low byte) TBLH ← program code (high byte)
Affected flag(s)	None
XOR A,[m]	Logical XOR Data Memory to ACC
Description	Data in the Accumulator and the specified Data Memory perform a bitwise logical XOR operation. The result is stored in the Accumulator.
Operation	ACC ← ACC "XOR" [m]
Affected flag(s)	Z
XORM A,[m]	Logical XOR ACC to Data Memory
Description	Data in the specified Data Memory and the Accumulator perform a bitwise logical XOR operation. The result is stored in the Data Memory.
Operation	[m] ← ACC "XOR" [m]
Affected flag(s)	Z
XOR A,x	Logical XOR immediate data to ACC
Description	Data in the Accumulator and the specified immediate data perform a bitwise logical XOR operation. The result is stored in the Accumulator.
Operation	ACC ← ACC "XOR" x
Affected flag(s)	Z

Extended Instruction Definition

The extended instructions are used to directly access the data stored in any data memory sections.

LADC A,[m]	Add Data Memory to ACC with Carry
Description	The contents of the specified Data Memory, Accumulator and the carry flag are added. The result is stored in the Accumulator.
Operation	$ACC \leftarrow ACC + [m] + C$
Affected flag(s)	OV, Z, AC, C, SC
LADCM A,[m]	Add ACC to Data Memory with Carry
Description	The contents of the specified Data Memory, Accumulator and the carry flag are added. The result is stored in the specified Data Memory.
Operation	$[m] \leftarrow ACC + [m] + C$
Affected flag(s)	OV, Z, AC, C, SC
LADD A,[m]	Add Data Memory to ACC
Description	The contents of the specified Data Memory and the Accumulator are added. The result is stored in the Accumulator.
Operation	$ACC \leftarrow ACC + [m]$
Affected flag(s)	OV, Z, AC, C, SC
LADDM A,[m]	Add ACC to Data Memory
Description	The contents of the specified Data Memory and the Accumulator are added. The result is stored in the specified Data Memory.
Operation	$[m] \leftarrow ACC + [m]$
Affected flag(s)	OV, Z, AC, C, SC
LAND A,[m]	Logical AND Data Memory to ACC
Description	Data in the Accumulator and the specified Data Memory perform a bitwise logical AND operation. The result is stored in the Accumulator.
Operation	$ACC \leftarrow ACC \text{ "AND" } [m]$
Affected flag(s)	Z
LANDM A,[m]	Logical AND ACC to Data Memory
Description	Data in the specified Data Memory and the Accumulator perform a bitwise logical AND operation. The result is stored in the Data Memory.
Operation	$[m] \leftarrow ACC \text{ "AND" } [m]$
Affected flag(s)	Z
LCLR [m]	Clear Data Memory
Description	Each bit of the specified Data Memory is cleared to 0.
Operation	$[m] \leftarrow 00H$
Affected flag(s)	None
LCLR [m].i	Clear bit of Data Memory
Description	Bit i of the specified Data Memory is cleared to 0.
Operation	$[m].i \leftarrow 0$
Affected flag(s)	None

LCPL [m]	Complement Data Memory
Description	Each bit of the specified Data Memory is logically complemented (1's complement). Bits which previously contained a 1 are changed to 0 and vice versa.
Operation	$[m] \leftarrow \overline{[m]}$
Affected flag(s)	Z
LCPLA [m]	Complement Data Memory with result in ACC
Description	Each bit of the specified Data Memory is logically complemented (1's complement). Bits which previously contained a 1 are changed to 0 and vice versa. The complemented result is stored in the Accumulator and the contents of the Data Memory remain unchanged.
Operation	$ACC \leftarrow \overline{[m]}$
Affected flag(s)	Z
LDAA [m]	Decimal-Adjust ACC for addition with result in Data Memory
Description	Convert the contents of the Accumulator value to a BCD (Binary Coded Decimal) value resulting from the previous addition of two BCD variables. If the low nibble is greater than 9 or if AC flag is set, then a value of 6 will be added to the low nibble. Otherwise the low nibble remains unchanged. If the high nibble is greater than 9 or if the C flag is set, then a value of 6 will be added to the high nibble. Essentially, the decimal conversion is performed by adding 00H, 06H, 60H or 66H depending on the Accumulator and flag conditions. Only the C flag may be affected by this instruction which indicates that if the original BCD sum is greater than 100, it allows multiple precision decimal addition.
Operation	$[m] \leftarrow ACC + 00H$ or $[m] \leftarrow ACC + 06H$ or $[m] \leftarrow ACC + 60H$ or $[m] \leftarrow ACC + 66H$
Affected flag(s)	C
LDEC [m]	Decrement Data Memory
Description	Data in the specified Data Memory is decremented by 1.
Operation	$[m] \leftarrow [m] - 1$
Affected flag(s)	Z
LDECA [m]	Decrement Data Memory with result in ACC
Description	Data in the specified Data Memory is decremented by 1. The result is stored in the Accumulator. The contents of the Data Memory remain unchanged.
Operation	$ACC \leftarrow [m] - 1$
Affected flag(s)	Z
LINC [m]	Increment Data Memory
Description	Data in the specified Data Memory is incremented by 1.
Operation	$[m] \leftarrow [m] + 1$
Affected flag(s)	Z
LINCA [m]	Increment Data Memory with result in ACC
Description	Data in the specified Data Memory is incremented by 1. The result is stored in the Accumulator. The contents of the Data Memory remain unchanged.
Operation	$ACC \leftarrow [m] + 1$
Affected flag(s)	Z

LMOV A,[m]	Move Data Memory to ACC
Description	The contents of the specified Data Memory are copied to the Accumulator.
Operation	$ACC \leftarrow [m]$
Affected flag(s)	None
LMOV [m],A	Move ACC to Data Memory
Description	The contents of the Accumulator are copied to the specified Data Memory.
Operation	$[m] \leftarrow ACC$
Affected flag(s)	None
LOR A,[m]	Logical OR Data Memory to ACC
Description	Data in the Accumulator and the specified Data Memory perform a bitwise logical OR operation. The result is stored in the Accumulator.
Operation	$ACC \leftarrow ACC \text{ "OR" } [m]$
Affected flag(s)	Z
LORM A,[m]	Logical OR ACC to Data Memory
Description	Data in the specified Data Memory and the Accumulator perform a bitwise logical OR operation. The result is stored in the Data Memory.
Operation	$[m] \leftarrow ACC \text{ "OR" } [m]$
Affected flag(s)	Z
LRL [m]	Rotate Data Memory left
Description	The contents of the specified Data Memory are rotated left by 1 bit with bit 7 rotated into bit 0.
Operation	$[m].(i+1) \leftarrow [m].i; (i=0\sim6)$ $[m].0 \leftarrow [m].7$
Affected flag(s)	None
LRLA [m]	Rotate Data Memory left with result in ACC
Description	The contents of the specified Data Memory are rotated left by 1 bit with bit 7 rotated into bit 0. The rotated result is stored in the Accumulator and the contents of the Data Memory remain unchanged.
Operation	$ACC.(i+1) \leftarrow [m].i; (i=0\sim6)$ $ACC.0 \leftarrow [m].7$
Affected flag(s)	None
LRLC [m]	Rotate Data Memory left through Carry
Description	The contents of the specified Data Memory and the carry flag are rotated left by 1 bit. Bit 7 replaces the Carry bit and the original carry flag is rotated into bit 0.
Operation	$[m].(i+1) \leftarrow [m].i; (i=0\sim6)$ $[m].0 \leftarrow C$ $C \leftarrow [m].7$
Affected flag(s)	C
LRLCA [m]	Rotate Data Memory left through Carry with result in ACC
Description	Data in the specified Data Memory and the carry flag are rotated left by 1 bit. Bit 7 replaces the Carry bit and the original carry flag is rotated into the bit 0. The rotated result is stored in the Accumulator and the contents of the Data Memory remain unchanged.
Operation	$ACC.(i+1) \leftarrow [m].i; (i=0\sim6)$ $ACC.0 \leftarrow C$ $C \leftarrow [m].7$
Affected flag(s)	C

LRR [m]	Rotate Data Memory right
Description	The contents of the specified Data Memory are rotated right by 1 bit with bit 0 rotated into bit 7.
Operation	$[m].i \leftarrow [m].(i+1); (i=0\sim 6)$ $[m].7 \leftarrow [m].0$
Affected flag(s)	None
LRRRA [m]	Rotate Data Memory right with result in ACC
Description	Data in the specified Data Memory is rotated right by 1 bit with bit 0 rotated into bit 7. The rotated result is stored in the Accumulator and the contents of the Data Memory remain unchanged.
Operation	$ACC.i \leftarrow [m].(i+1); (i=0\sim 6)$ $ACC.7 \leftarrow [m].0$
Affected flag(s)	None
LRRC [m]	Rotate Data Memory right through Carry
Description	The contents of the specified Data Memory and the carry flag are rotated right by 1 bit. Bit 0 replaces the Carry bit and the original carry flag is rotated into bit 7.
Operation	$[m].i \leftarrow [m].(i+1); (i=0\sim 6)$ $[m].7 \leftarrow C$ $C \leftarrow [m].0$
Affected flag(s)	C
LRRCA [m]	Rotate Data Memory right through Carry with result in ACC
Description	Data in the specified Data Memory and the carry flag are rotated right by 1 bit. Bit 0 replaces the Carry bit and the original carry flag is rotated into bit 7. The rotated result is stored in the Accumulator and the contents of the Data Memory remain unchanged.
Operation	$ACC.i \leftarrow [m].(i+1); (i=0\sim 6)$ $ACC.7 \leftarrow C$ $C \leftarrow [m].0$
Affected flag(s)	C
LSBC A,[m]	Subtract Data Memory from ACC with Carry
Description	The contents of the specified Data Memory and the complement of the carry flag are subtracted from the Accumulator. The result is stored in the Accumulator. Note that if the result of subtraction is negative, the C flag will be cleared to 0, otherwise if the result is positive or zero, the C flag will be set to 1.
Operation	$ACC \leftarrow ACC - [m] - \bar{C}$
Affected flag(s)	OV, Z, AC, C, SC, CZ
LSBCM A,[m]	Subtract Data Memory from ACC with Carry and result in Data Memory
Description	The contents of the specified Data Memory and the complement of the carry flag are subtracted from the Accumulator. The result is stored in the Data Memory. Note that if the result of subtraction is negative, the C flag will be cleared to 0, otherwise if the result is positive or zero, the C flag will be set to 1.
Operation	$[m] \leftarrow ACC - [m] - \bar{C}$
Affected flag(s)	OV, Z, AC, C, SC, CZ

LSDZ [m]	Skip if decrement Data Memory is 0
Description	The contents of the specified Data Memory are first decremented by 1. If the result is 0 the following instruction is skipped. As this requires the insertion of a dummy instruction while the next instruction is fetched, it is a three cycle instruction. If the result is not 0 the program proceeds with the following instruction.
Operation	$[m] \leftarrow [m] - 1$ Skip if $[m]=0$
Affected flag(s)	None
LSDZA [m]	Skip if decrement Data Memory is zero with result in ACC
Description	The contents of the specified Data Memory are first decremented by 1. If the result is 0, the following instruction is skipped. The result is stored in the Accumulator but the specified Data Memory contents remain unchanged. As this requires the insertion of a dummy instruction while the next instruction is fetched, it is a three cycle instruction. If the result is not 0, the program proceeds with the following instruction.
Operation	$ACC \leftarrow [m] - 1$ Skip if $ACC=0$
Affected flag(s)	None
LSET [m]	Set Data Memory
Description	Each bit of the specified Data Memory is set to 1.
Operation	$[m] \leftarrow FFH$
Affected flag(s)	None
LSET [m].i	Set bit of Data Memory
Description	Bit i of the specified Data Memory is set to 1.
Operation	$[m].i \leftarrow 1$
Affected flag(s)	None
LSIZ [m]	Skip if increment Data Memory is 0
Description	The contents of the specified Data Memory are first incremented by 1. If the result is 0, the following instruction is skipped. As this requires the insertion of a dummy instruction while the next instruction is fetched, it is a three cycle instruction. If the result is not 0 the program proceeds with the following instruction.
Operation	$[m] \leftarrow [m] + 1$ Skip if $[m]=0$
Affected flag(s)	None
LSIZA [m]	Skip if increment Data Memory is zero with result in ACC
Description	The contents of the specified Data Memory are first incremented by 1. If the result is 0, the following instruction is skipped. The result is stored in the Accumulator but the specified Data Memory contents remain unchanged. As this requires the insertion of a dummy instruction while the next instruction is fetched, it is a three cycle instruction. If the result is not 0 the program proceeds with the following instruction.
Operation	$ACC \leftarrow [m] + 1$ Skip if $ACC=0$
Affected flag(s)	None
LSNZ [m].i	Skip if bit i of Data Memory is not 0
Description	If bit i of the specified Data Memory is not 0, the following instruction is skipped. As this requires the insertion of a dummy instruction while the next instruction is fetched, it is a three cycle instruction. If the result is 0 the program proceeds with the following instruction.
Operation	Skip if $[m].i \neq 0$
Affected flag(s)	None

LSNZ [m]	Skip if Data Memory is not 0
Description	The contents of the specified Data Memory are read out and then written to the specified Data Memory again. If the content of the specified Data Memory is not 0, the following instruction is skipped. As this requires the insertion of a dummy instruction while the next instruction is fetched, it is a three cycle instruction. If the result is 0 the program proceeds with the following instruction.
Operation	Skip if [m] ≠ 0
Affected flag(s)	None
LSUB A,[m]	Subtract Data Memory from ACC
Description	The specified Data Memory is subtracted from the contents of the Accumulator. The result is stored in the Accumulator. Note that if the result of subtraction is negative, the C flag will be cleared to 0, otherwise if the result is positive or zero, the C flag will be set to 1.
Operation	ACC ← ACC – [m]
Affected flag(s)	OV, Z, AC, C, SC, CZ
LSUBM A,[m]	Subtract Data Memory from ACC with result in Data Memory
Description	The specified Data Memory is subtracted from the contents of the Accumulator. The result is stored in the Data Memory. Note that if the result of subtraction is negative, the C flag will be cleared to 0, otherwise if the result is positive or zero, the C flag will be set to 1.
Operation	[m] ← ACC – [m]
Affected flag(s)	OV, Z, AC, C, SC, CZ
LSWAP [m]	Swap nibbles of Data Memory
Description	The low-order and high-order nibbles of the specified Data Memory are interchanged.
Operation	[m].3~[m].0 ↔ [m].7~[m].4
Affected flag(s)	None
LSWAPA [m]	Swap nibbles of Data Memory with result in ACC
Description	The low-order and high-order nibbles of the specified Data Memory are interchanged. The result is stored in the Accumulator. The contents of the Data Memory remain unchanged.
Operation	ACC.3~ACC.0 ← [m].7~[m].4 ACC.7~ACC.4 ← [m].3~[m].0
Affected flag(s)	None
LSZ [m]	Skip if Data Memory is 0
Description	The contents of the specified Data Memory are read out and then written to the specified Data Memory again. If the contents of the specified Data Memory is 0, the following instruction is skipped. As this requires the insertion of a dummy instruction while the next instruction is fetched, it is a three cycle instruction. If the result is not 0 the program proceeds with the following instruction.
Operation	Skip if [m]=0
Affected flag(s)	None
LSZA [m]	Skip if Data Memory is 0 with data movement to ACC
Description	The contents of the specified Data Memory are copied to the Accumulator. If the value is zero, the following instruction is skipped. As this requires the insertion of a dummy instruction while the next instruction is fetched, it is a three cycle instruction. If the result is not 0 the program proceeds with the following instruction.
Operation	ACC ← [m] Skip if [m]=0
Affected flag(s)	None

LSZ [m],i	Skip if bit i of Data Memory is 0
Description	If bit i of the specified Data Memory is 0, the following instruction is skipped. As this requires the insertion of a dummy instruction while the next instruction is fetched, it is a three cycle instruction. If the result is not 0, the program proceeds with the following instruction.
Operation	Skip if [m].i=0
Affected flag(s)	None
LTABRD [m]	Read table (specific page) to TBLH and Data Memory
Description	The low byte of the program code (specific page) addressed by the table pointer (TBHP and TBLP) is moved to the specified Data Memory and the high byte moved to TBLH.
Operation	[m] ← program code (low byte) TBLH ← program code (high byte)
Affected flag(s)	None
LTABRDL [m]	Read table (last page) to TBLH and Data Memory
Description	The low byte of the program code (last page) addressed by the table pointer (TBLP) is moved to the specified Data Memory and the high byte moved to TBLH.
Operation	[m] ← program code (low byte) TBLH ← program code (high byte)
Affected flag(s)	None
LITABRD [m]	Increment table pointer low byte first and read table (specific page) to TBLH and Data Memory
Description	Increment table pointer low byte, TBLP, first and then the program code (specific page) addressed by the table pointer (TBHP and TBLP) is moved to the specified Data Memory and the high byte moved to TBLH.
Operation	[m] ← program code (low byte) TBLH ← program code (high byte)
Affected flag(s)	None
LITABRDL [m]	Increment table pointer low byte first and read table (last page) to TBLH and Data Memory
Description	Increment table pointer low byte, TBLP, first and then the low byte of the program code (last page) addressed by the table pointer (TBLP) is moved to the specified Data Memory and the high byte moved to TBLH.
Operation	[m] ← program code (low byte) TBLH ← program code (high byte)
Affected flag(s)	None
LXOR A,[m]	Logical XOR Data Memory to ACC
Description	Data in the Accumulator and the specified Data Memory perform a bitwise logical XOR operation. The result is stored in the Accumulator.
Operation	ACC ← ACC "XOR" [m]
Affected flag(s)	Z
LXORM A,[m]	Logical XOR ACC to Data Memory
Description	Data in the specified Data Memory and the Accumulator perform a bitwise logical XOR operation. The result is stored in the Data Memory.
Operation	[m] ← ACC "XOR" [m]
Affected flag(s)	Z

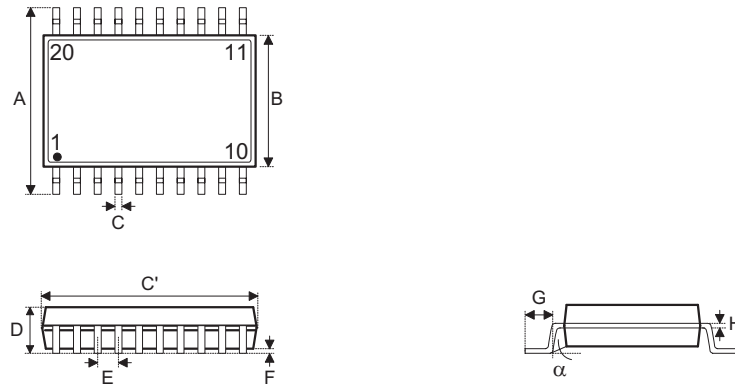
Package Information

Note that the package information provided here is for consultation purposes only. As this information may be updated at regular intervals users are reminded to consult the [Holtek website](#) for the latest version of the [Package/Carton Information](#).

Additional supplementary information with regard to packaging is listed below. Click on the relevant section to be transferred to the relevant website page.

- [Further Package Information \(include Outline Dimensions, Product Tape and Reel Specifications\)](#)
- [Packing Materials Information](#)
- [Carton information](#)

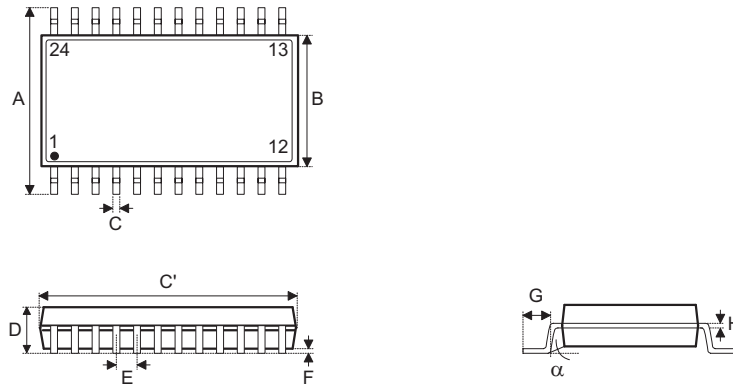
20-pin SOP (300mil) Outline Dimensions



Symbol	Dimensions in inch		
	Min.	Nom.	Max.
A	—	0.406 BSC	—
B	—	0.406 BSC	—
C	0.012	—	0.020
C'	—	0.504 BSC	—
D	—	—	0.104
E	—	0.050 BSC	—
F	0.004	—	0.012
G	0.016	—	0.050
H	0.008	—	0.013
α	0°	—	8°

Symbol	Dimensions in mm		
	Min.	Nom.	Max.
A	—	10.30 BSC	—
B	—	7.5 BSC	—
C	—	7.5 BSC	—
C'	—	12.8 BSC	—
D	—	12.8 BSC	—
E	—	1.27 BSC	—
F	0.10	—	0.30
G	0.40	—	1.27
H	0.40	—	1.27
α	0°	—	8°

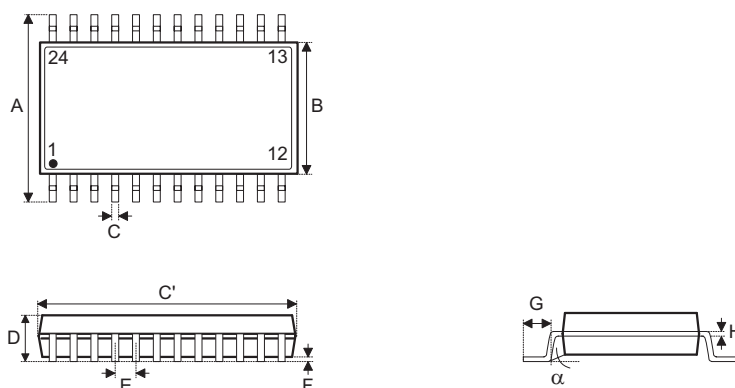
24-pin SOP(300mil) Outline Dimensions



Symbol	Dimensions in inch		
	Min.	Nom.	Max.
A	—	0.406 BSC	—
B	—	0.295 BSC	—
C	0.012	—	0.020
C'	—	0.606 BSC	—
D	—	—	0.104
E	—	0.050 BSC	—
F	0.004	—	0.012
G	0.016	—	0.050
H	0.008	—	0.013
α	0°	—	8°

Symbol	Dimensions in mm		
	Min.	Nom.	Max.
A	—	10.30 BSC	—
B	—	7.5 BSC	—
C	0.31	—	0.51
C'	—	15.4 BSC	—
D	—	—	2.65
E	—	1.27 BSC	—
F	0.10	—	0.30
G	0.40	—	1.27
H	0.20	—	0.33
α	0°	—	8°

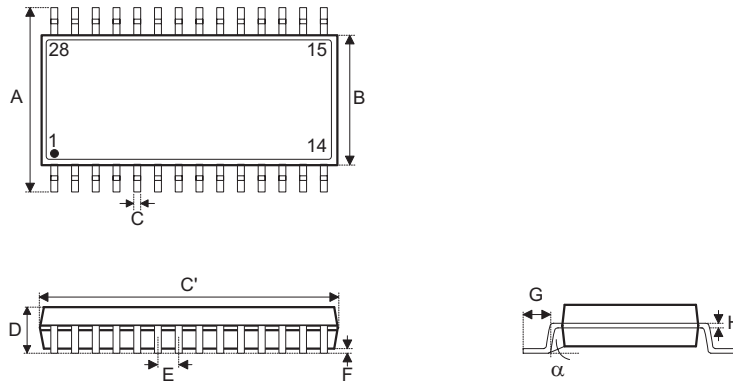
24-pin SSOP (150mil) Outline Dimensions



Symbol	Dimensions in inch		
	Min.	Nom.	Max.
A	—	0.236 BSC	—
B	—	0.154 BSC	—
C	0.008	—	0.012
C'	—	0.341 BSC	—
D	—	—	0.069
E	—	0.025 BSC	—
F	0.004	—	0.010
G	0.016	—	0.050
H	0.004	—	0.010
α	0°	—	8°

Symbol	Dimensions in mm		
	Min.	Nom.	Max.
A	—	6.000 BSC	—
B	—	3.900 BSC	—
C	0.20	—	0.30
C'	—	8.660 BSC	—
D	—	—	1.75
E	—	0.635 BSC	—
F	0.10	—	0.25
G	0.41	—	1.27
H	0.10	—	0.25
α	0°	—	8°

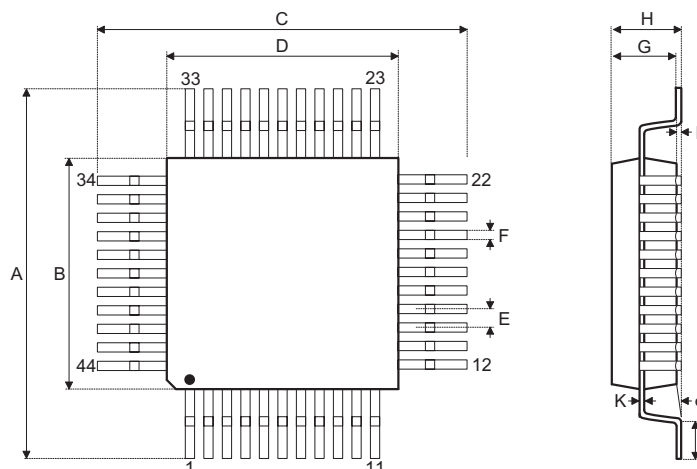
28-pin SOP(300mil) Outline Dimensions



Symbol	Dimensions in inch		
	Min.	Nom.	Max.
A	—	0.406 BSC	—
B	—	0.295 BSC	—
C	0.012	—	0.020
C'	—	0.705 BSC	—
D	—	—	0.104
E	—	0.050 BSC	—
F	0.004	—	0.012
G	0.016	—	0.050
H	0.008	—	0.013
α	0°	—	8°

Symbol	Dimensions in mm		
	Min.	Nom.	Max.
A	—	10.30 BSC	—
B	—	7.5 BSC	—
C	0.31	—	0.51
C'	—	17.9 BSC	—
D	—	—	2.65
E	—	1.27 BSC	—
F	0.10	—	0.30
G	0.40	—	1.27
H	0.20	—	0.33
α	0°	—	8°

44-pin LQFP (10mm×10mm) (FP2.0mm) Outline Dimensions



Symbol	Dimensions in inch		
	Min.	Nom.	Max.
A	—	0.472 BSC	—
B	—	0.394 BSC	—
C	—	0.472 BSC	—
D	—	0.394 BSC	—
E	—	0.032 BSC	—
F	0.012	0.015	0.018
G	0.053	0.055	0.057
H	—	—	0.063
I	0.002	—	0.006
J	0.018	0.024	0.030
K	0.004	—	0.008
α	0°	—	7°

Symbol	Dimensions in mm		
	Min.	Nom.	Max.
A	—	12.00 BSC	—
B	—	10.00 BSC	—
C	—	12.00 BSC	—
D	—	10.00 BSC	—
E	—	0.80 BSC	—
F	0.30	0.37	0.45
G	1.35	1.40	1.45
H	—	—	1.60
I	0.05	—	0.15
J	0.45	0.60	0.75
K	0.09	—	0.20
α	0°	—	7°

Copyright© 2021 by HOLTEK SEMICONDUCTOR INC.

The information appearing in this Data Sheet is believed to be accurate at the time of publication. However, Holtek assumes no responsibility arising from the use of the specifications described. The applications mentioned herein are used solely for the purpose of illustration and Holtek makes no warranty or representation that such applications will be suitable without further modification, nor recommends the use of its products for application that may present a risk to human life due to malfunction or otherwise. Holtek's products are not authorized for use as critical components in life support devices or systems. Holtek reserves the right to alter its products without prior notification. For the most up-to-date information, please visit our web site at <http://www.holtek.com>.