

**Flash****4 Gbit (512M x 8)  
1.8V NAND Flash Memory****FEATURES**

- Voltage Supply
  - $V_{CC}$ : 1.8V (1.7 V ~ 1.95V)
- Organization
  - Page Size: (4K + 256) bytes
  - Data Register: (4K + 256) bytes
  - Block Size: 64Pages = (256K + 16K) bytes
  - Number of Planes: 1
  - Number of Block per Die (LUN)= 2048
- Automatic Program and Erase
  - Page Program: (4K + 256) bytes
  - Block Erase: (256K + 16K) bytes
- Page Read Operation
  - Random Read: 25us (Max.)
  - Read Cycle: 45ns
- Write Cycle Time
  - Page Program Time: 400us (Typ.)  
700us (Max.)
  - Block Erase Time: 3.5 ms (Typ.)  
10ms (Max.)
- 1bit/cell
- Command/Address/Data Multiplexed DQ Port
- Hardware Data Protection
  - Program/Erase Lockout During Power Transitions
- Reliable CMOS Floating Gate Technology
  - Compliant to JESD47K Specifications
  - ECC Requirement: 8bit / 512Byte
  - Endurance: 60K-P/E Cycle Times
  - Uncycled Data Retention: 10year of real time use at 55°C
- Command Register Operation
- Number of partial program cycles in the same page (NOP): 4
- Automatic Page 0 Read at Power-Up Option
  - Boot from NAND support
  - Automatic Memory Download
- Cache Program Operation for High Performance Program
- Cache Read Operation
- Copy-Back Operation
- EDO mode
- Page copy

**ORDERING INFORMATION**

Product ID	Speed	Package	Comments
F59D4G81KA -45TG2R	45 ns	48 pin TSOPI	Pb-free
F59D4G81KA -45BG2R	45 ns	63 ball BGA	Pb-free
F59D4G81KA -45BCG2R	45 ns	67 ball BGA	Pb-free

**GENERAL DESCRIPTION**

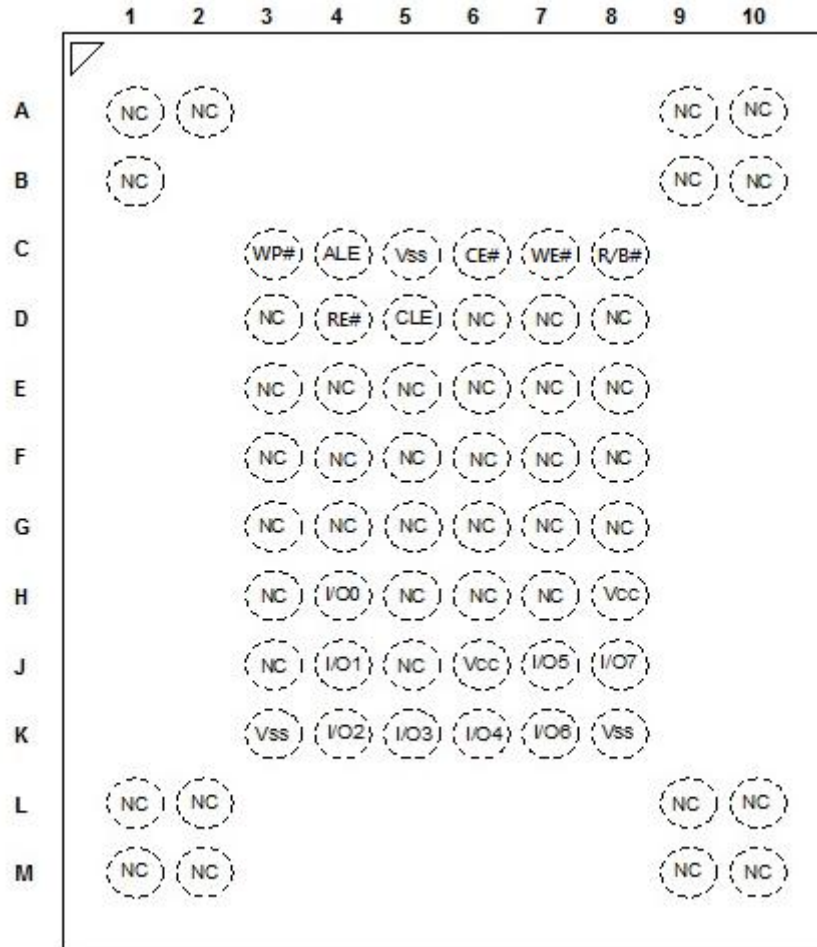
The device has 4352-byte static registers which allow program and read data to be transferred between the register and the memory cell array in 4352-byte increments. The Erase operation is implemented in a single block unit (256Kbytes + 16Kbytes).

The device is a memory device which utilizes the I/O pins for both address and data input/output as well as command inputs. The Erase and Program operations are automatically executed making the device most suitable for applications such as solid state file storage, voice recording, image file memory for still cameras and other systems which require high density non-volatile memory data storage.

**PIN CONFIGURATION (TOP VIEW)**  
(TSOPI 48L, 12mm X 20mm Body, 0.5mm Pin Pitch)

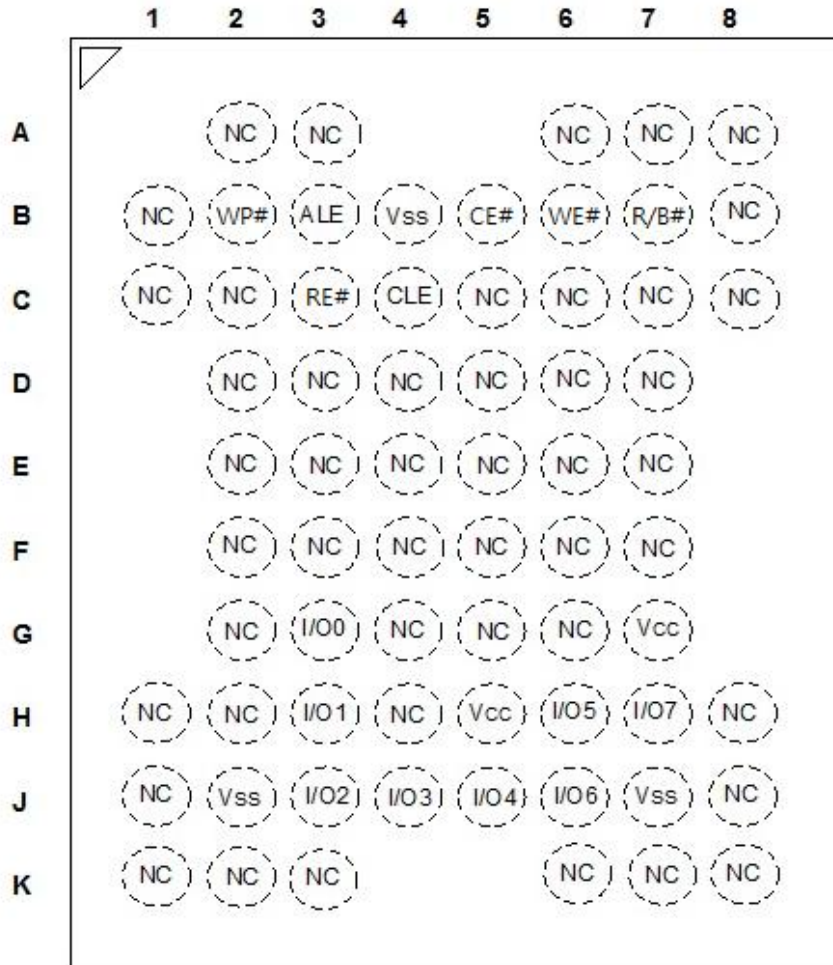


**BALL CONFIGURATION (x8) (TOP VIEW)**  
(BGA 63 BALL, 9mm X 11mm Body, 0.8 Ball Pitch)



**BALL CONFIGURATION (TOP VIEW)**

(BGA 67 Ball, 6.5mmx8mmx1.0mm Body, 0.8mm Ball Pitch)

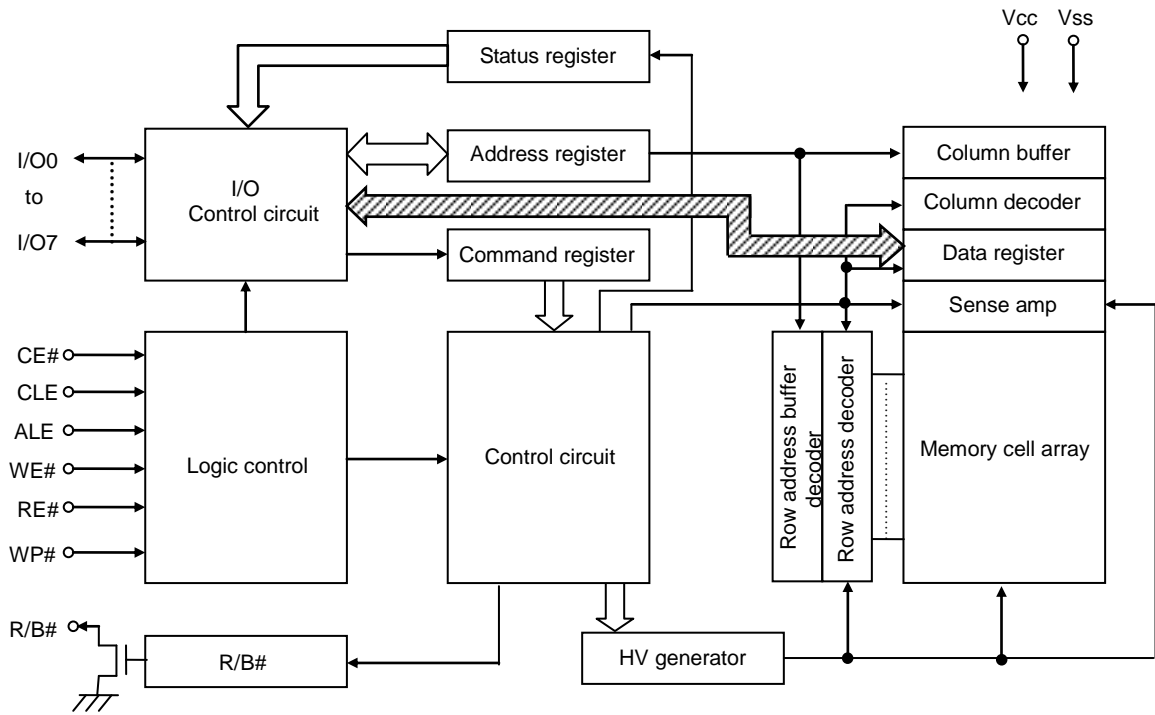


## PIN /BALL NAMES

Pin/Ball Name	Type	Function
V <sub>CC</sub>	Supply	NAND Power Supply
V <sub>SS</sub>	Supply	Ground
I/O0 to I/O7	Input/output	Data inputs/outputs: The I/O pins are used to input command, address and data, and to output data during read operations. The I/O pins float to high-z when the chip is deselected or when the outputs are disabled.
ALE	Input	Address latch enable: The ALE input controls the activating path for addresses sent to the internal address registers. Addresses are latched into the address register through the I/O ports on the rising edge of WE# with ALE high.
CLE	Input	Command latch enable: The CLE input controls the activating path for commands sent to the internal command registers. Commands are latched into the command register through the I/O ports on the rising edge of the WE# signal with CLE high.
CE#	Input	Chip enable: The CE# input is the device selection control. When the device is in the Busy state, CE# high is ignored, and the device does not return to standby mode in program or erase operation. Regarding CE# control during read operation, refer to 'Page read' section of Device operation.
RE#	Input	Read enable: The RE# input is the serial data-out control, and when active low, it drives the data onto the I/O bus. Data is valid after t <sub>REA</sub> of rising edge & falling edge of RE# which also increments the internal column address counter by one.
WE#	Input	Write enable: The WE# input controls writes to the I/O ports. Commands, address and data are latched on the rising edge of the WE# pulse.
WP#	Input	Write protect: The WP# pin provides inadvertent write/erase protection during power transitions. The internal high voltage generator is reset when the WP# pin is active low.
R/B#	Output	Ready/busy: The R/B# output indicates the status of the device operation. When low, it indicates that a program, erase or random read operation is in progress and returns to high state upon completion. It is an open drain output and does not float to high-z condition when the chip is deselected or when outputs are disabled.
NC	-	No connect: Lead is not internally connected.

NOTE: Connect all V<sub>CC</sub> and V<sub>SS</sub> pins of each device to common power supply outputs. Do not leave V<sub>CC</sub> or V<sub>SS</sub> disconnected.

Block Diagram



## Definitions and Abbreviations

### LSB

Acronym for the least significant bit.

### Address

The address is comprised of a column address 2 cycles and a row address with 3 cycles. The row address identifies the page, block, and LUN to be accessed. The column address identifies the byte within a page to access.

### Column

The byte location within the page register.

### Row

Refer to the block and page to be accessed.

### Page

The smallest addressable unit for the Read and the Program operations.

### Block

Consists of multiple pages and is the smallest unit for the Erase operation.

### Page register

Register used to transfer data to and from the Flash Array.

### Cache register

Register used to transfer data to and from the Host.

### Defect area

The defect area is where the factory defects are marked by the manufacturer. It is a reference for initial invalid block(s).

### Device

The packaged NAND unit. A device may contain more than a target.

### LUN (Logical Unit Number)

The minimum unit that can independently execute commands and report status. There are one or more LUNs per CE#.

### Target

An independent NAND Flash component with its own CE# signal.

### SR[x] (Status Read)

SR refers to the status register contained within a particular LUN. SR[x] refers to bit x in the status register for the associated LUN.

**Absolute Maximum Rating**

Parameter	Symbol	Rating	Unit
Voltage on any pin relative to $V_{SS}$	$V_{CC}$	-0.6 to +2.5	V
	$V_{IN}$	-0.6 to +2.5	
	$V_{I/O}$	-0.6 to $V_{CC}+0.3(<2.5V)$	
Short Circuit Current	$I_{OS}$	5	mA

Note: Permanent device damage may occur if ABSOLUTE MAXIMUM RATINGS are exceeded. Functional operation should be restricted to the conditions as detailed in the operational sections of this data sheet. Exposure to absolute maximum rating conditions for extended periods may affect reliability.

**Operating Temperature Condition**

Parameter	Symbol	Rating	Unit
Operating Temperature Range	$T_{OPER}$	0 to +70	°C
Soldering Temperature (10s)	$T_{SOLDER}$	260	°C
Storage Temperature	$T_{STG}$	-55 to +125	°C

Note:

- Operating Temperature  $T_{OPER}$  is the case surface temperature on the center/top side of the NAND.
- Operating Temperature Range specifies the temperatures where all NAND specifications will be supported. During operation, the NAND case temperature must be maintained between the range specified in the table under all operating conditions.

**Recommended Operating Conditions**

(Voltage reference to GND)

Parameter	Symbol	Min	Typ.	Max	Unit
Supply Voltage	$V_{CC}$	1.7	1.8	1.95	V
High Level Input Voltage	$V_{IH}$	$0.8 V_{CC}$	-	$V_{CC} + 0.3$	V
Low Level Input Voltage	$V_{IL}$	-0.3	-	$0.2 V_{CC}$	V
Ground Voltage	$V_{SS}$	0	0	0	V

**Valid Blocks**

Symbol	Min	Typ.	Max	Unit
NVB	2,008	-	2,048	Block

Note:

- The device may include initial invalid blocks when first shipped. The number of valid blocks is presented as first shipped. Invalid blocks are defined as blocks that contain one or more bad bits which cause status failure during program and erase operation. Do not erase or program factory-marked bad blocks. Refer to the attached technical notes for appropriate management of initial invalid blocks.
- The 1st block, which is placed on 00h block address, is guaranteed to be a valid block at the time of shipment.



## DC Operation Characteristics

(Recommended operating conditions otherwise noted)

Parameter		Symbol	Test Conditions	Min	Typ.	Max	Unit
Operating Current	Page Read with Serial Access	$I_{CC1}$	CE#= $V_{IL}$ , Iout= 0, $t_{RC}= t_{RC}(\min)$	-	15	30	mA
	Program	$I_{CC2}$	-	-	15		
	Erase	$I_{CC3}$	-	-	15		
Stand-by Current (TTL)		$I_{SB1}$	CE#= $V_{IH}$ , WP#= 0V/ $V_{CC}$	-	-	1	
Stand-by Current (CMOS)		$I_{SB2}$	CE#= $V_{CC}-0.2$ , WP#= 0V/ $V_{CC}$	-	10	50	uA
Input Leakage Current		$I_{LI}$	$V_{IN}= 0$ to $V_{CC}$ (max)	-	-	+/-10	
Output Leakage Current		$I_{LO}$	$V_{OUT}= 0$ to $V_{CC}$ (max)	-	-	+/-10	
Output High Voltage Level		$V_{OH}$	$I_{OH}= -0.1\text{mA}$	$V_{CC} - 0.2$	-	-	V
Output Low Voltage Level		$V_{OL}$	$I_{OL}= 0.1\text{mA}$	-	-	0.2	
Output Low Current (R/B#)		$I_{OL}$ (R/B#)	$V_{OL}= 0.2\text{V}$	-	4	-	mA

Note :

1. Typical value are measured at  $V_{CC}= 1.8\text{V}$ ,  $T_A= 25^\circ\text{C}$ . Not 100% tested.
2.  $I_{CC1}$  and  $I_{CC2}$  are without data cache.
3.  $I_{CC1}$ ,  $I_{CC2}$ ,  $I_{CC3}$ , and  $I_{SB2}$  are the values of one chip.

## Capacitance

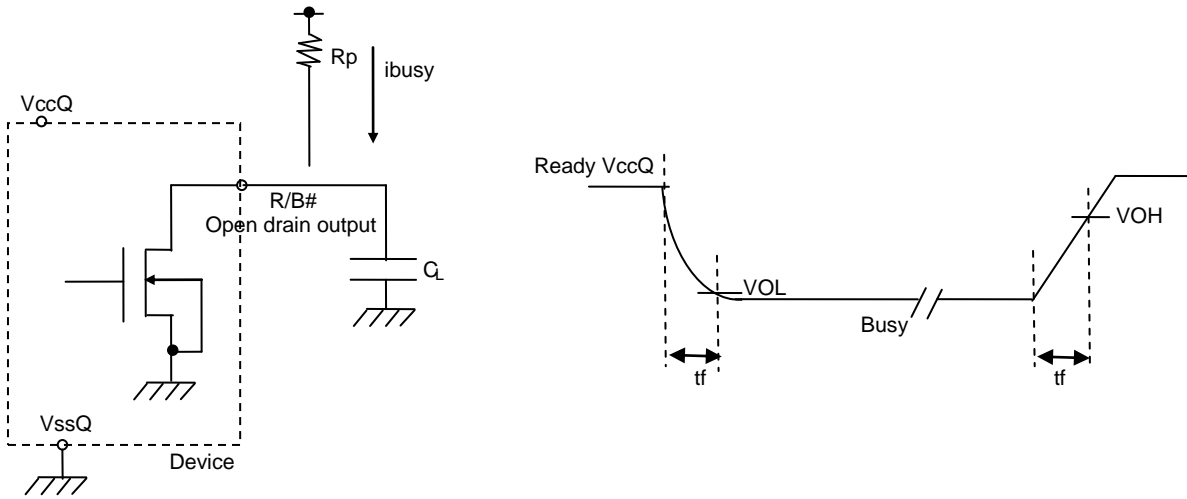
( $T_A= 25^\circ\text{C}$ ,  $V_{CC}= 1.8\text{V}$ ,  $f= 1.0\text{MHz}$ )

Item	Symbol	Test Condition	Min	Max	Unit
Input/Output Capacitance	$C_{DQ}$	$V_{OUT}= 0\text{V}$	-	10	pF
Input Capacitance	$C_{IN}$	$V_{IN}= 0\text{V}$	-	10	pF

Note: Capacitance is periodically sampled and not 100% tested.

## Ready/Busy

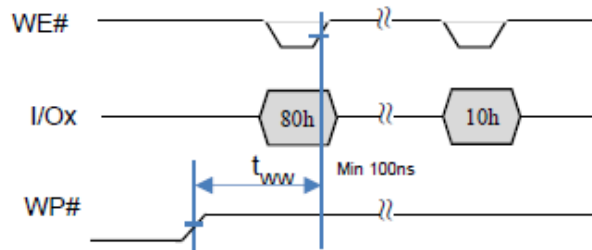
R/B# represents the status of the selected target. R/B# goes busy when only a single LUN is busy while rest of LUNs on the same target are idle.



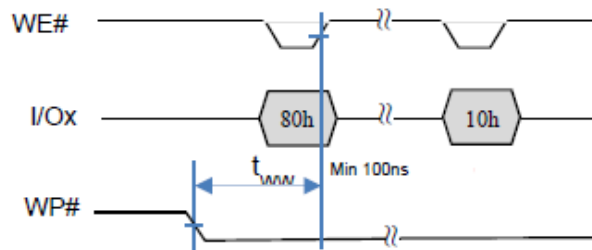
**Write Protect**

When WP# is enabled, Flash array is blocked from any program and erase operations. This signal shall only transition when a target is idle. The host shall be allowed to issue a new command after  $t_{ww}$  once WP# is enabled. Figures below describes the  $t_{ww}$  timing requirement, shown with the start of a Program command and the start of an Erase command.

**1) Enable Programming of WP# Signal**

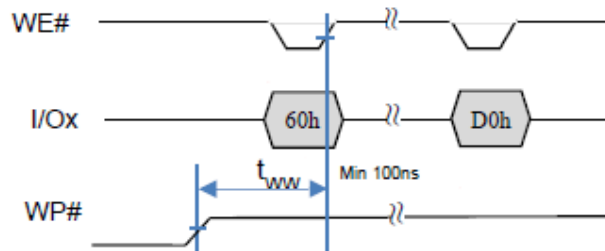


**2) Disable Programming of WP# Signal**

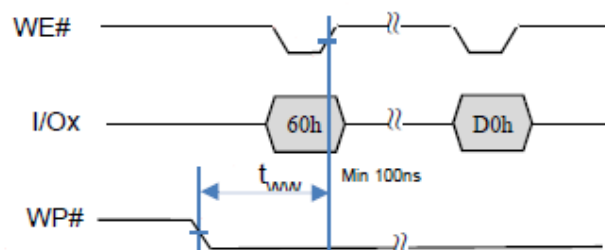


Write Protect timing requirements of the Program operation

**3) Enable Erasing of WP# Signal**



**4) Disable Erasing of WP# Signal**



Write Protect timing requirements of the Erase operation

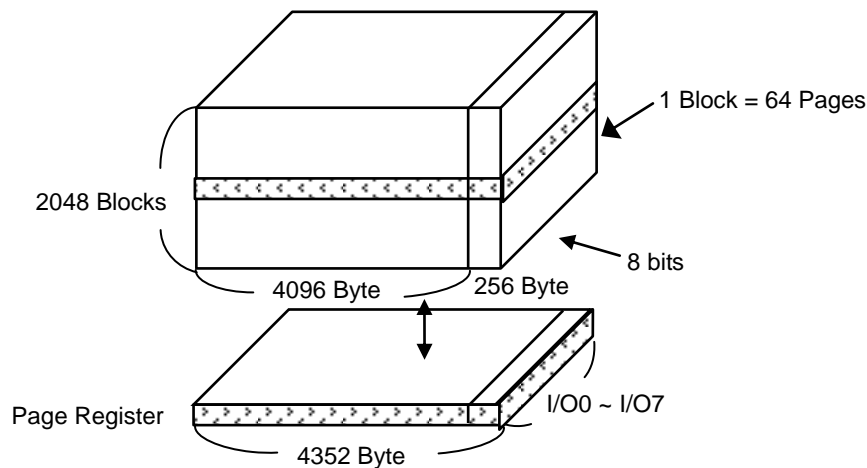
## Memory Organization

### Addressing

There are two address types used: the column address and the row address. The column address is used to access bytes within a page, i.e. the column address is the byte offset into the page. The row address is used to address pages, blocks, and LUNs.

When both the column and row addresses are required to be issued, the column address is always issued first in one or more 8-bit address cycles. The row addresses follow in one or more 8-bit address cycles. There are some functions that may require only row addresses, such as Block Erase. In this case the column addresses shall not be issued.

For both column and row addresses, the first address cycle always contains the least significant bits and the last cycle always contains the most significant bits. If there are bits in the most significant cycles of the column and row addresses that are not used, then they are required to be cleared to zero.



### Array Address

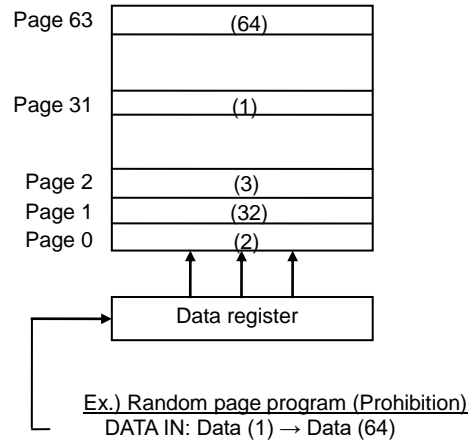
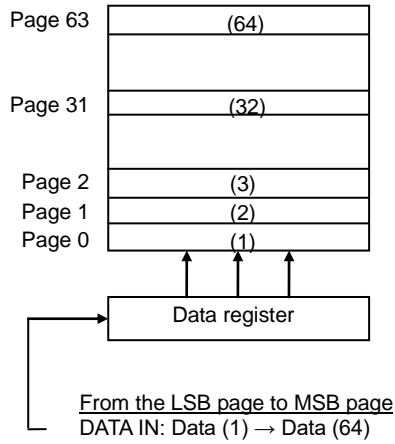
	I/O0	I/O1	I/O2	I/O3	I/O4	I/O5	I/O6	I/O7	Address
1 <sup>st</sup> cycle	A <sub>0</sub>	A <sub>1</sub>	A <sub>2</sub>	A <sub>3</sub>	A <sub>4</sub>	A <sub>5</sub>	A <sub>6</sub>	A <sub>7</sub>	Column Address
2 <sup>nd</sup> cycle	A <sub>8</sub>	A <sub>9</sub>	A <sub>10</sub>	A <sub>11</sub>	A <sub>12</sub>	*L	*L	*L	Column Address
3 <sup>rd</sup> cycle	A <sub>13</sub>	A <sub>14</sub>	A <sub>15</sub>	A <sub>16</sub>	A <sub>17</sub>	A <sub>18</sub>	A <sub>19</sub>	A <sub>20</sub>	Row Address
4 <sup>th</sup> cycle	A <sub>21</sub>	A <sub>22</sub>	A <sub>23</sub>	A <sub>24</sub>	A <sub>25</sub>	A <sub>26</sub>	A <sub>27</sub>	A <sub>28</sub>	Row Address
5 <sup>th</sup> cycle	A <sub>29</sub>	*L	*L	*L	*L	*L	*L	*L	Row Address

#### Note:

1. Column address: Starting Address of the Register.
2. \*L must be set to 'Low'
3. The device ignores any additional input of address cycles than required.
4. A<sub>13</sub>~A<sub>18</sub> are for Page Address, A<sub>19</sub>~A<sub>29</sub> are for Block Address.

## Addressing for Program Operation

Within a block, the pages must be programmed consecutively from the LSB (least significant bit) page of the block to MSB (most significant bit) pages of the block. Random page address programming is prohibited. In this case, the definition of LSB page is the LSB among the pages to be programmed. Therefore, LSB page doesn't need to be page 0.



## Factory Defect Mapping and Error Management

### Mask Out Initial Invalid Block(s)

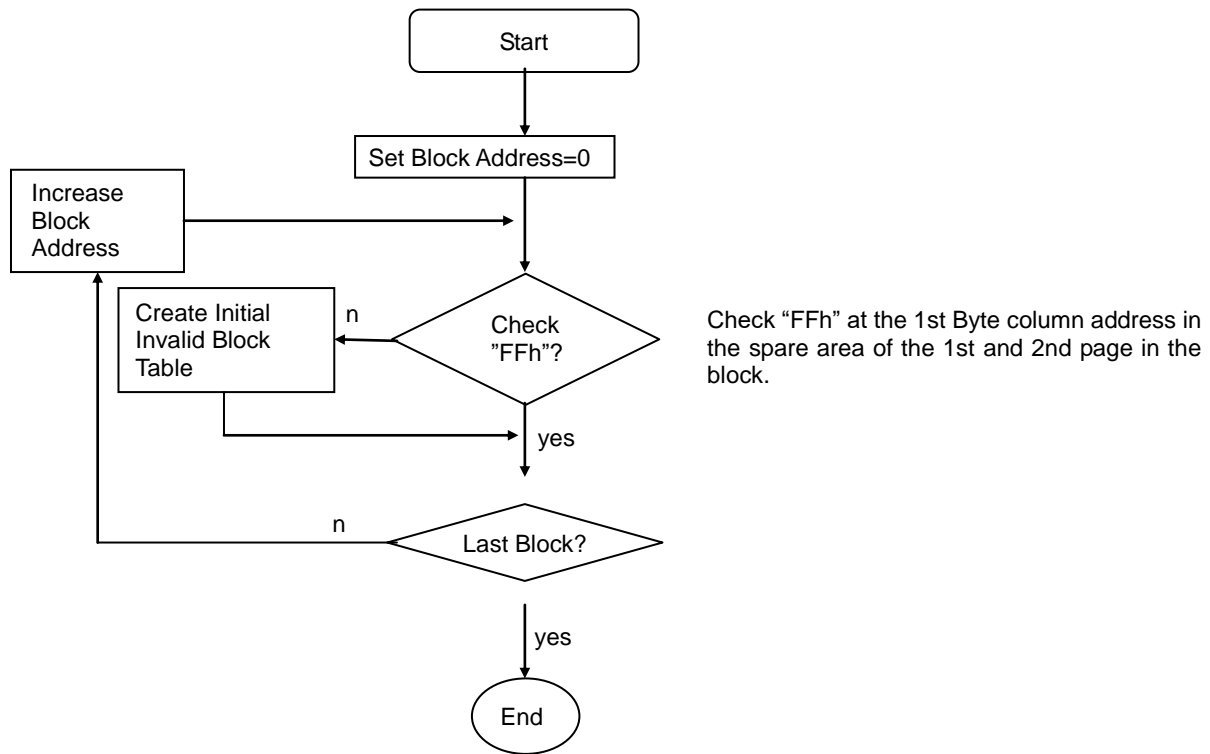
Initial invalid blocks are defined as blocks that contain one or more initial invalid bits whose reliability is not guaranteed. The information regarding the initial invalid block(s) is called the initial invalid block information. Devices with initial invalid block(s) have the same quality level as devices with all valid blocks and have the same AC and DC characteristics. An initial invalid block(s) does not affect the performance of valid block(s) because it is isolated from the bit line and the common source line by a select transistor. The system design must be able to mask out the initial invalid block(s) via address mapping.

### Identifying Initial Invalid Block(s) and Block Replacement Management

If a block is defective, the manufacturer shall mark as defective by setting the Defective Block Marking, as shown in figure, of the first or second page of the defective block to a value of non-FFh. The Defective Block Marking is located on the first byte of spare data area in the pages within a block.

The host shall not erase or program blocks marked as defective by the manufacturer, and any attempt to do so yields indeterminate results. Figure below outlines the flow chart how to create an initial invalid block table. It should be performed by the host to create the initial invalid block table prior to performing any erase or programming operations on the target. All pages in non-defective blocks are read FFh with ECC enabled on the controller. A defective block is indicated by the majority of bits being read non-FFh in the Defective Block Marking location of either the first page or second page of the block. The host shall check the Defective Block Marking location of both the first and second page of each block to verify the block is valid prior to any erase or program operations on that block.

Over the lifetime use of a NAND device, the Defective Block Marking of defective blocks may encounter read disturbs that cause bit changes. The initial defect marks by the manufacturer may change value over the lifetime of the device, and are expected to be read by the host and used to create a bad block table during initial use of the part.



Algorithm for Bad Block Scanning

```

For (i=0; i<Num_of_LUs; i++)
{
  For (j=0; j<Blocks_Per_LU; j++)
  {
    Defect_Block_Found=False;

    Read_Page(lu=i, block=j, page=0);
    If (Data[coloumn=First_Byte_of_Spare_Area]!=FFh) Defect_Block_Found=True;

    Read_Page(lu=i, block=j, page=1);
    If (Data[coloumn=First_Byte_of_Spare_Area]!=FFh) Defect_Block_Found=True;

    If (Defect_Block_Found) Mark_Block_as_Defective(lu=i, block=j);
  }
}

```

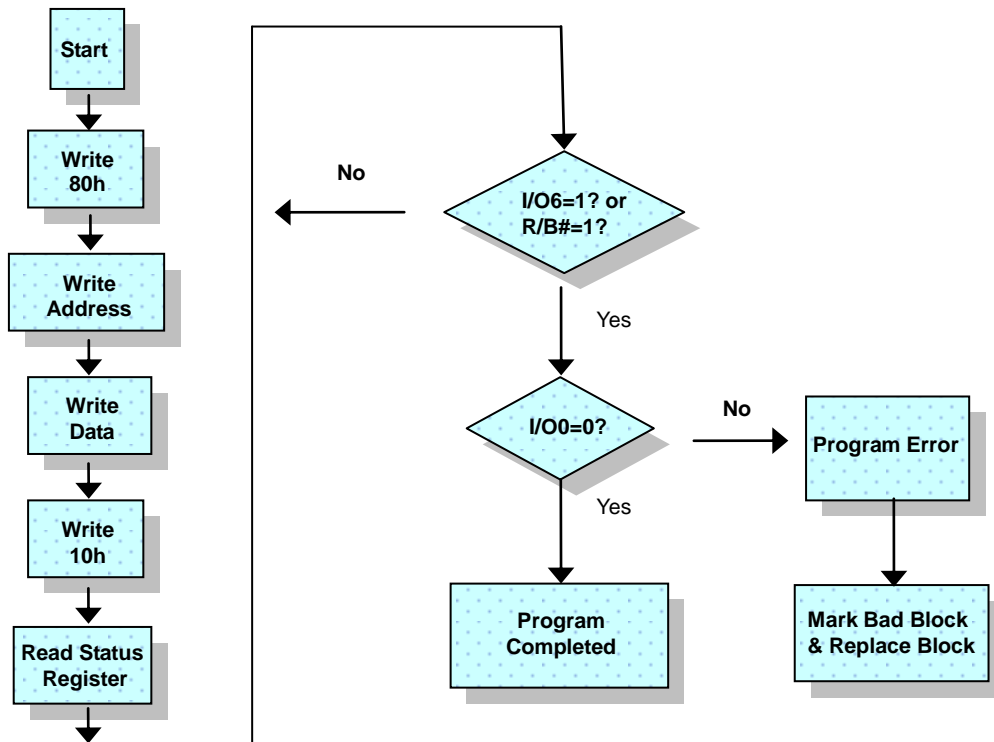
## Errors in Write or Read Operation

Within its lifetime, additional invalid blocks may develop with NAND Flash memory. Refer to the qualification report for the actual data. The following possible failure modes should be considered to implement a highly reliable system. In the case of status read failure after erase or program, block replacement should be done. Because program status fail during a page program does not affect the data of the other pages in the same block, block replacement can be executed with a page-sized buffer by finding an erased empty block and reprogramming the current target data and copying the rest of the replaced block. In case of Read, ECC must be employed. To improve the efficiency of memory space, it is recommended that the read or verification failure due to bit error (less than 8bits/512bytes) be reclaimed by ECC without any block replacement. The additional block failure rate does not include those reclaimed blocks.

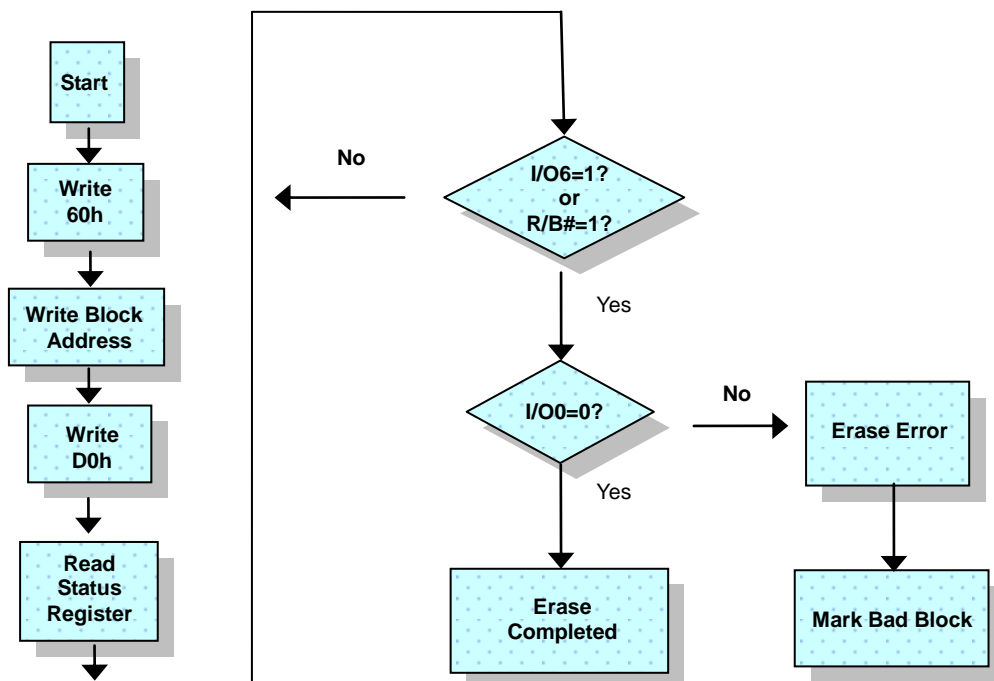
Failure Mode		Detection and Countermeasure Sequence
Write	Erase failure	Read Status after Erase → Block Replacement
	Program failure	Read Status after Program → Block Replacement
Read	Up to 8 bits failure	Verify ECC → ECC Correction

Note: Error Correcting Code → RS Code or BCH Code etc.  
Example: 8bit correction / 512Byte

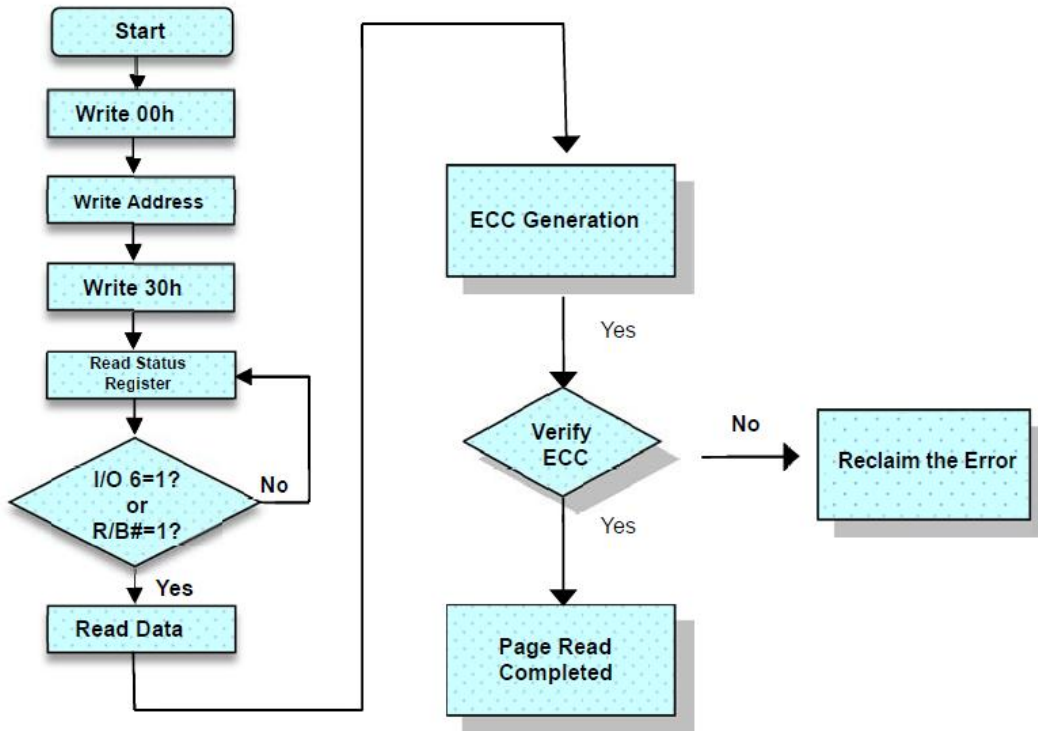




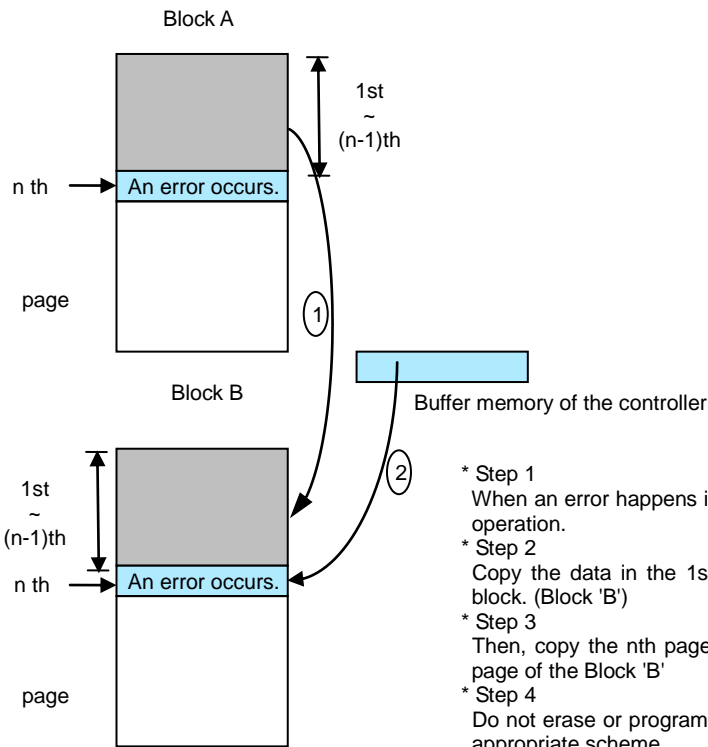
Program Flow Chart



Erase Flow Chart



Read Flow Chart



- \* Step 1  
When an error happens in the nth page of the Block 'A' during erase or program operation.
- \* Step 2  
Copy the data in the 1st ~ (n-1)th page to the same location of another free block. (Block 'B')
- \* Step 3  
Then, copy the nth page data of the Block 'A' in the buffer memory to the nth page of the Block 'B'
- \* Step 4  
Do not erase or program to Block 'A' by creating an 'invalid block' table or other appropriate scheme.

Block Replacement

## Function Description

### Discovery and Initialization

The device is designed to offer protection from any involuntary program/erase during power transitions. An internal voltage detector disables all functions whenever  $V_{CC}$  is below about 1.5V.

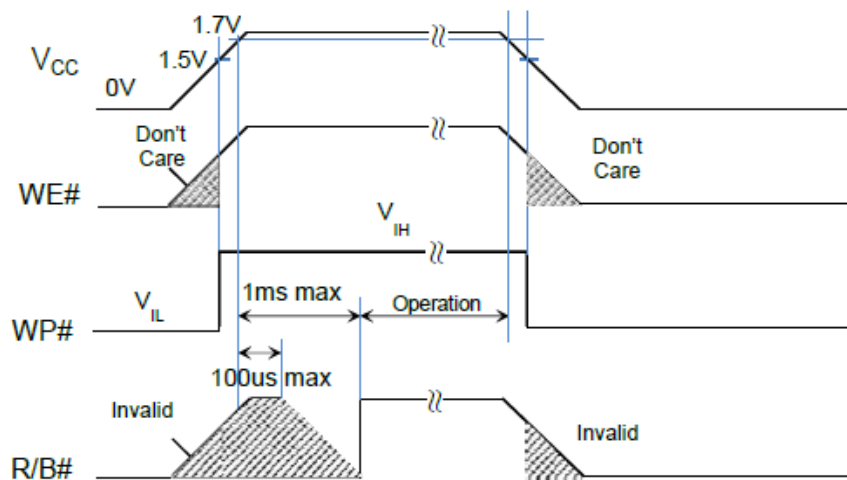
WP# provides hardware protection and is recommended to be kept at  $V_{IL}$  during power up and power down. The two step command sequence for program/erase provides additional protection.

### Data Protection and Power On Sequence

The timing sequence shown in the figure below is necessary for the power-on/off sequence.

The device internal initialization starts after the power supply reaches an appropriate level in the power on sequence. During the initialization period, R/B# can be monitored until R/B# is high. If not monitoring R/B#, the host must wait 1ms. In this time period, the Read Status (70h) command can be issued to get the Status Register Bits.

During the power on and power off sequence, it is recommended to keep the WP# = Low for internal data protection.



AC Waveforms for Power on Transition

## Mode Selection

### SDR

CLE	ALE	CE#	WE#	RE#	WP#	Mode	
H	L	L		H	X	Read Mode	Command Input
L	H	L		H	X		Address Input (5 clock)
H	L	L		H	H	Write Mode	Command Input
L	H	L		H	H		Address Input (5 clock)
L	L	L		H	H	Data Input	
L	L	L	H		X	Data Output	
X	X	X	X	H	X	During Read (Busy)	
X	X	X	X	X	H	During Program (Busy)	
X	X	X	X	X	H	During Erase (Busy)	
X	X <sup>(1)</sup>	X	X	X	L	Write Protect	
X	X	H	X	X	0V/V <sub>CC</sub> <sup>(2)</sup>	Stand-by	

Note :

1. X can be V<sub>IL</sub> or V<sub>IH</sub>.
2. WP# should be biased to CMOS high or CMOS low for standby.

## AC Test Condition

(V<sub>CC</sub>= 1.7V ~ 1.95V)

Parameter	Single-ended signaling
Input Pulse	0 to V <sub>CC</sub>
Input Rise and Fall Times	3ns
Input and Output Timing Levels	V <sub>CC</sub> /2
Output Load*	C <sub>L</sub> (30pF) and 1TTL

Note: Refer to Ready/Busy, R/B# output's Busy to Ready time is decided by the pull-up resistor (Rp) tied to the R/B# pin.

## Read / Program / Erase Characteristics

(V<sub>CC</sub>= 1.7V ~ 1.95V)

Parameter	Symbol	Min	Typ	Max	Unit
Data Transfer from Cell to Register	t <sub>R</sub>	-	-	25	us
Program Time	t <sub>PROG</sub>	-	400	700	us
Last Page Program Time	t <sub>LPROG</sub>		800	1400	us
Dummy Busy Time for Cache Operation	t <sub>CBSY</sub>	-	3	750	us
Number of Partial Program Cycles in the Same Page	NOP	-	-	4	cycle
Block Erase Time	t <sub>BERS</sub>	-	3.5	10	ms
Data Cache Busy Time in Write Cache (following 15h)	t <sub>DCBSYW2</sub>	-	-	700	us

## Note:

1. Typical program time is defined as the time within which more than 50% of the whole pages are programmed at 1.8V V<sub>CC</sub> and 25°C temperature.
2. t<sub>CBSY</sub> max. time depends on timing between internal program completion and data-in.
3. t<sub>DCBSYW2</sub> depends on the timing between internal programming time and data in time.
4. t<sub>LPROG</sub>=t<sub>PROG</sub>(last page) + t<sub>PROG</sub>(last-1 page) – Command load time(last page) – Address load time(last page)-Data load time(last page)

## AC Timing Characteristics

SDR ( $V_{CC} = 1.7\sim 1.95V$ )

Parameter	Symbol	Min	Max	Unit
CLE Setup Time	$t_{CLS}^{(1)}$	12	-	ns
CLE Hold Time	$t_{CLH}$	5	-	ns
CE# Setup Time	$t_{CS}^{(1)}$	20	-	ns
CE# Hold Time	$t_{CH}$	5	-	ns
WE# Pulse Width	$t_{WP}$	12	-	ns
ALE Setup Time	$t_{ALS}^{(1)}$	12	-	ns
ALE Hold Time	$t_{ALH}$	5	-	ns
Data Setup Time	$t_{DS}^{(1)}$	12	-	ns
Data Hold Time	$t_{DH}$	5	-	ns
Write Cycle Time	$t_{WC}$	45	-	ns
WE# High Hold Time	$t_{WH}$	10	-	ns
Address to Data Loading Time	$t_{ADL}^{(2)}$	70	-	ns
Data Transfer from Cell to Register	$t_R$	-	25	us
ALE to RE# Delay	$t_{AR}$	10	-	ns
CLE to RE# Delay	$t_{CLR}$	10	-	ns
Ready to RE# Low	$t_{RR}$	20	-	ns
Ready to WE# Falling Edge	$t_{RW}$	20	-	ns
RE# Pulse Width	$t_{RP}$	12	-	ns
WE# High to Busy	$t_{WB}$	-	100	ns
WP# Low to WE# Low (disable mode)	$t_{WW}$	100	-	ns
WP# High to WE# Low (enable mode)				
Read Cycle Time	$t_{RC}$	45	-	ns
CE# Low to RE# Low	$t_{CR}$	9	-	ns
RE# Access Time	$t_{REA}$	-	20	ns
CE# Access Time	$t_{CEA}$	-	25	ns
RE# High to Output Hi-Z	$t_{RHZ}$	-	100	ns
CE# High to Output Hi-Z	$t_{CHZ}$	-	30	ns
CLE High to Output Hi-Z	$t_{CLHZ}$	-	30	ns
RE# High to Output Hold	$t_{RHOH}$	15	-	ns
RE# Low to Output Hold	$t_{RLOH}$	5	-	ns
CE# High to Output Hold	$t_{COH}$	15	-	ns
RE# High Hold Time	$t_{REH}$	10	-	ns
Output Hi-Z to RE# Low	$t_{IR}$	0	-	ns
RE# High to WE# Low	$t_{RHW}$	100	-	ns
WE# High to CE# Low	$t_{WHC}$	30	-	ns

SDR ( $V_{CC} = 1.7\sim 1.95V$ )- continued

Parameter		Symbol	Min	Max	Unit
WE# High to RE# Low (Read Status)		$t_{WHR1}$	60	-	ns
WE# High to RE# Low (Column Address Change in Read)		$t_{WHR2}$	60	-	ns
Device Resetting Time during...	Ready	$t_{RST}$	-	5	us
	Read		-	5	us
	Program		-	10	us
	Erase		-	250	us
Data Cache Busy in Read Cache (following 31h and 3Fh)		$t_{DCBSYR1}$	-	30	us
Data Cache Busy in Page Copy (following 3Ah)		$t_{DCBSYR2}$	-	30	us

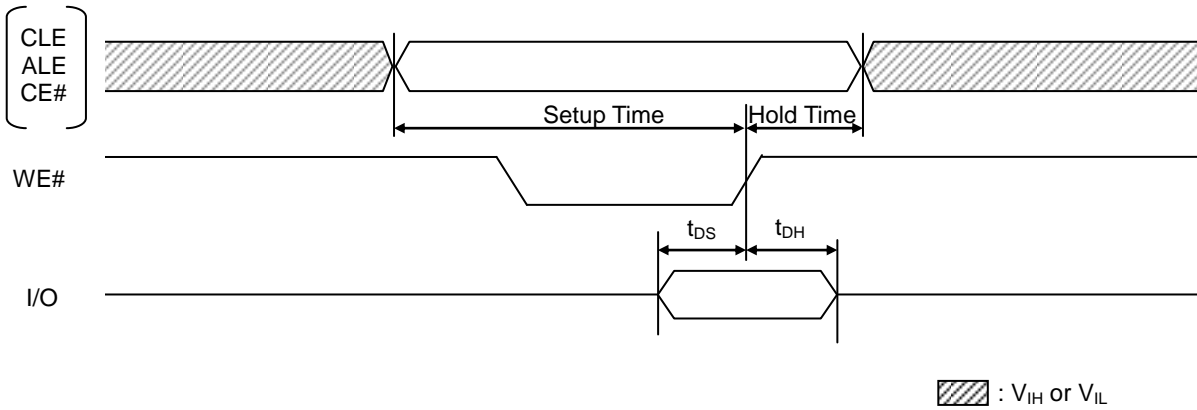
Note:

1. The transition of the corresponding control pins must occur only once while WE# is held low.
2.  $t_{ADL}$  is the time from the WE rising edge of final address cycle to the WE# rising edge of first data cycle.

General Timing

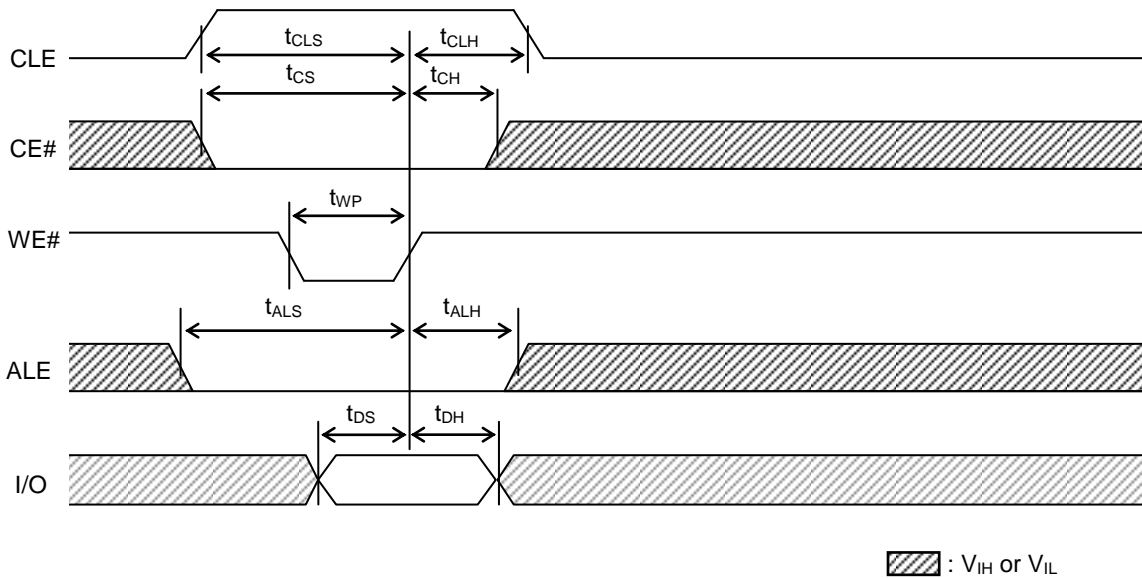
CE bar = CE#  
 WE bar = WE#  
 RE bar = RE#  
 R/ B bar = R/B#

Command/Address/Data Latch Timing



Command/Address/Data Latch Timing

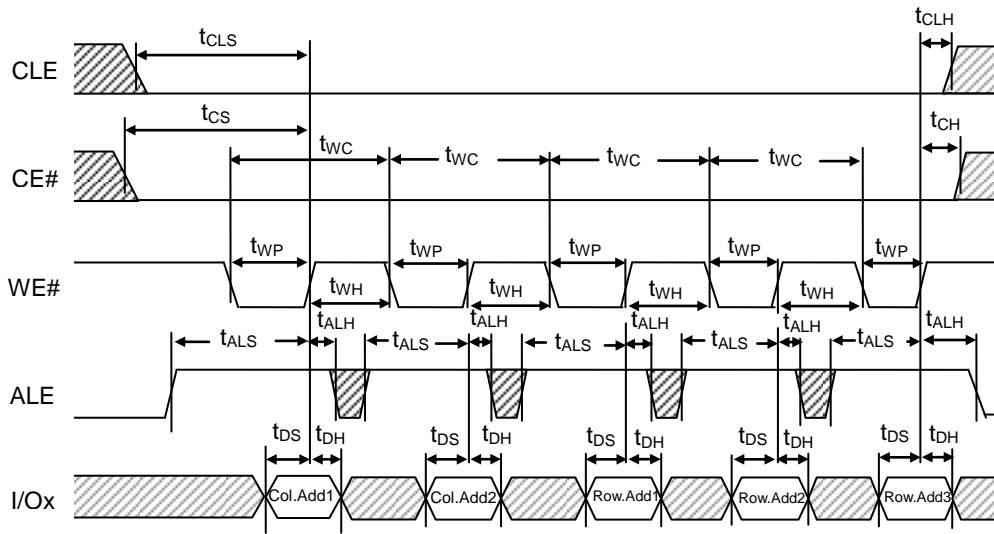
Command Input Cycle



Command Input Cycle Timing

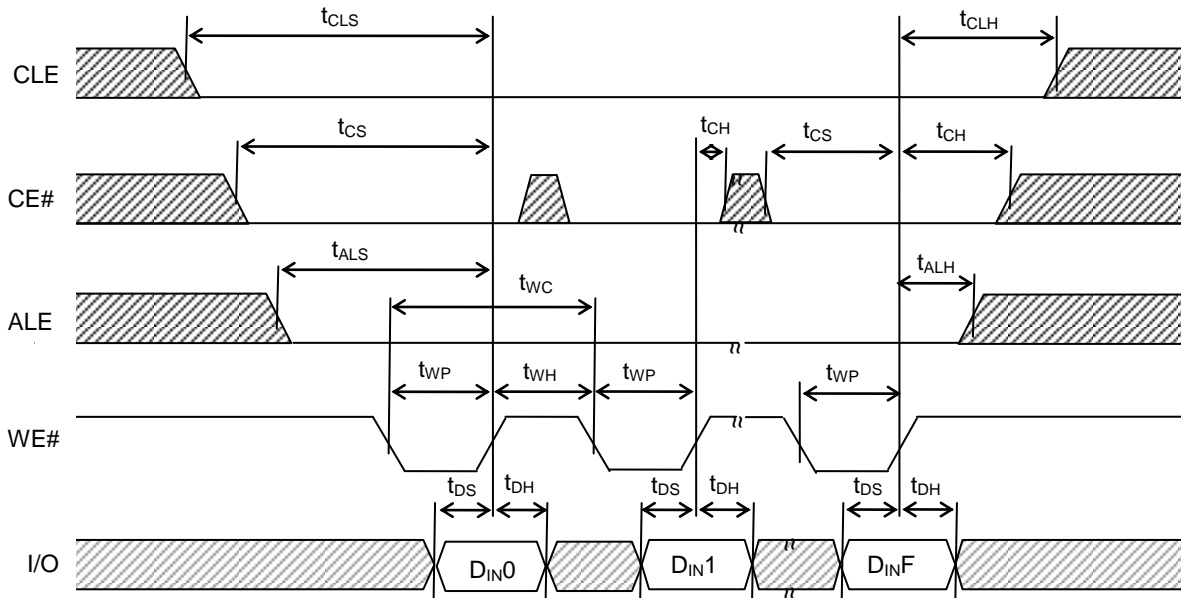


Address Input Cycle



Address Input Cycle Timing

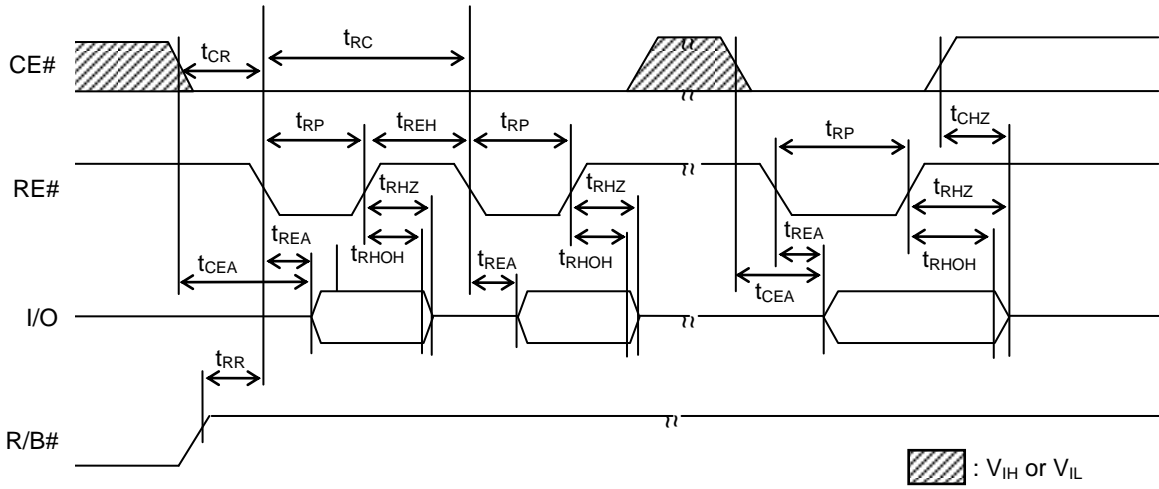
Data Input Cycle



Note: DINF means the Final Data Input.

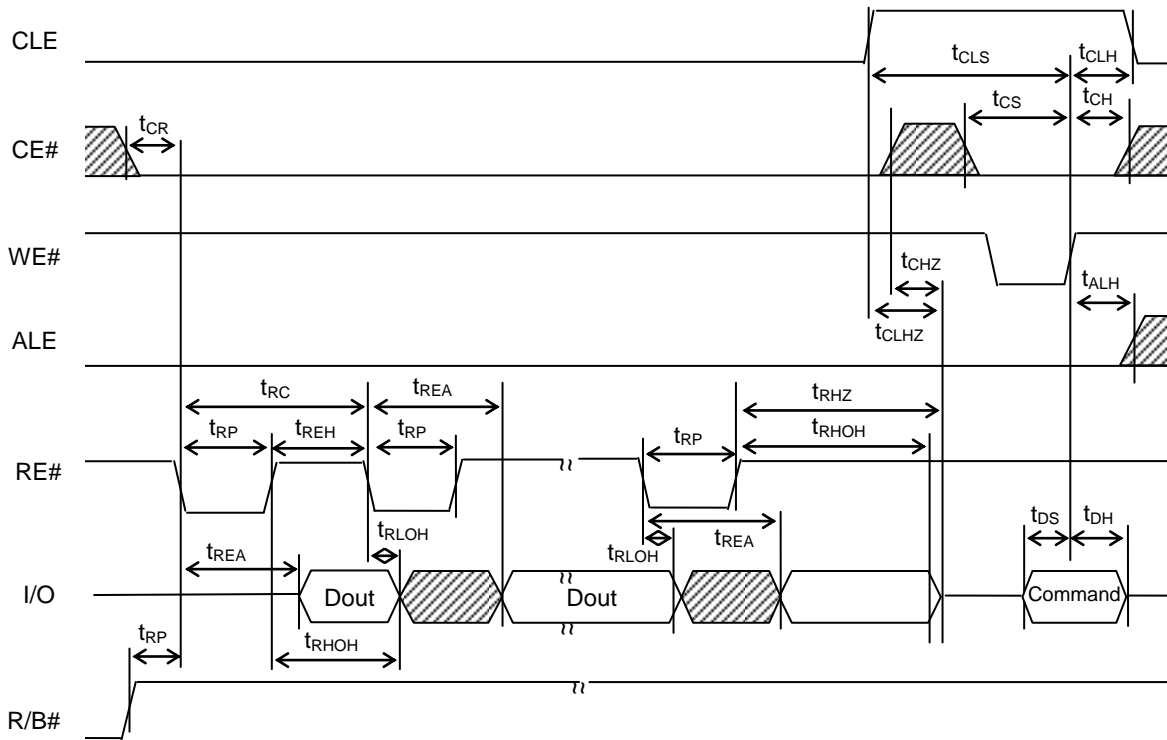
Data Input Cycle Timing

Data Output Cycle



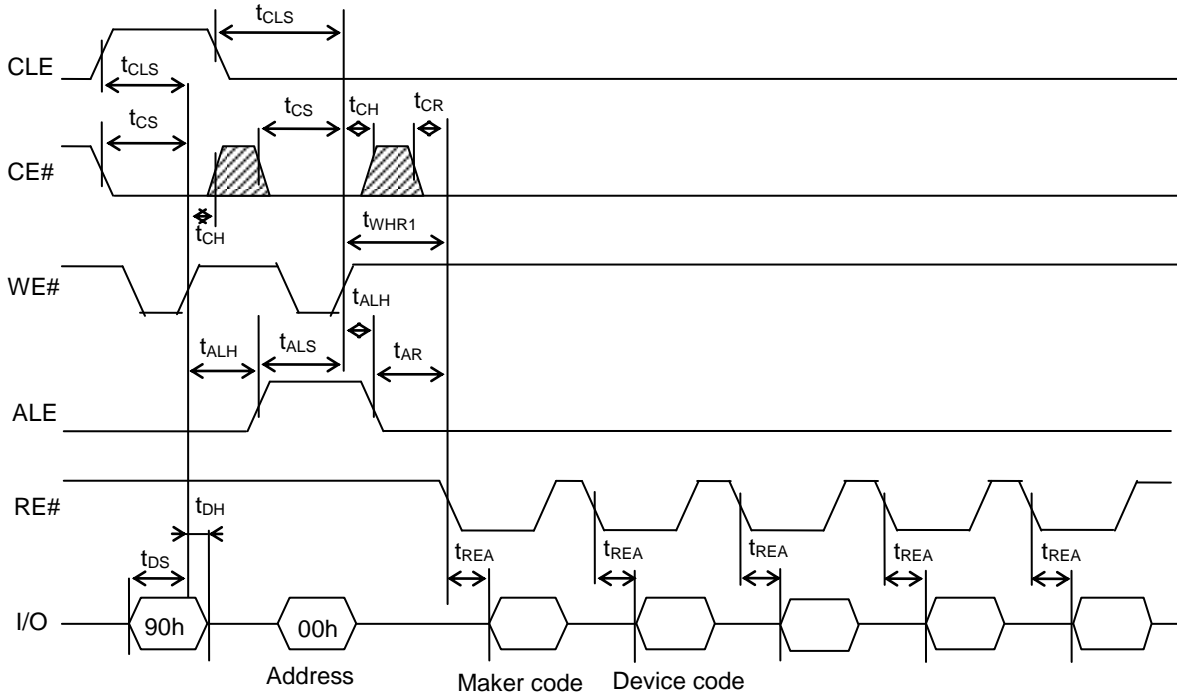
Data Output Cycle Timing

Basic Data Output



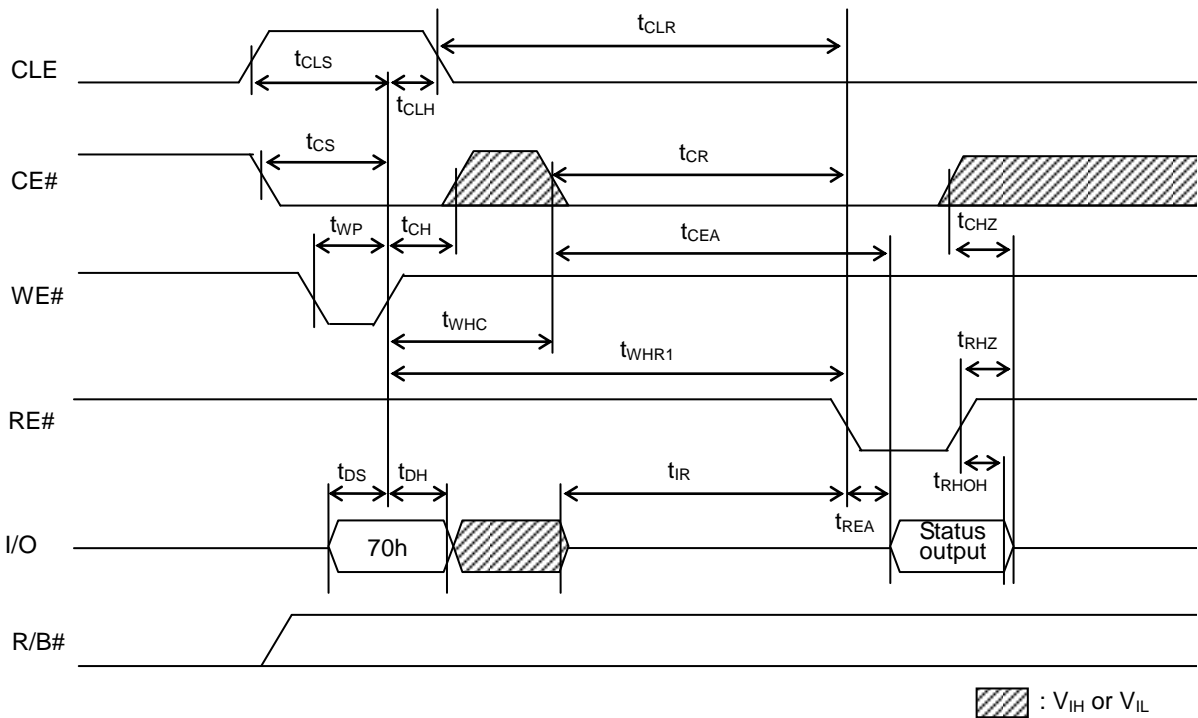
Basic Data Output Timing

Read ID



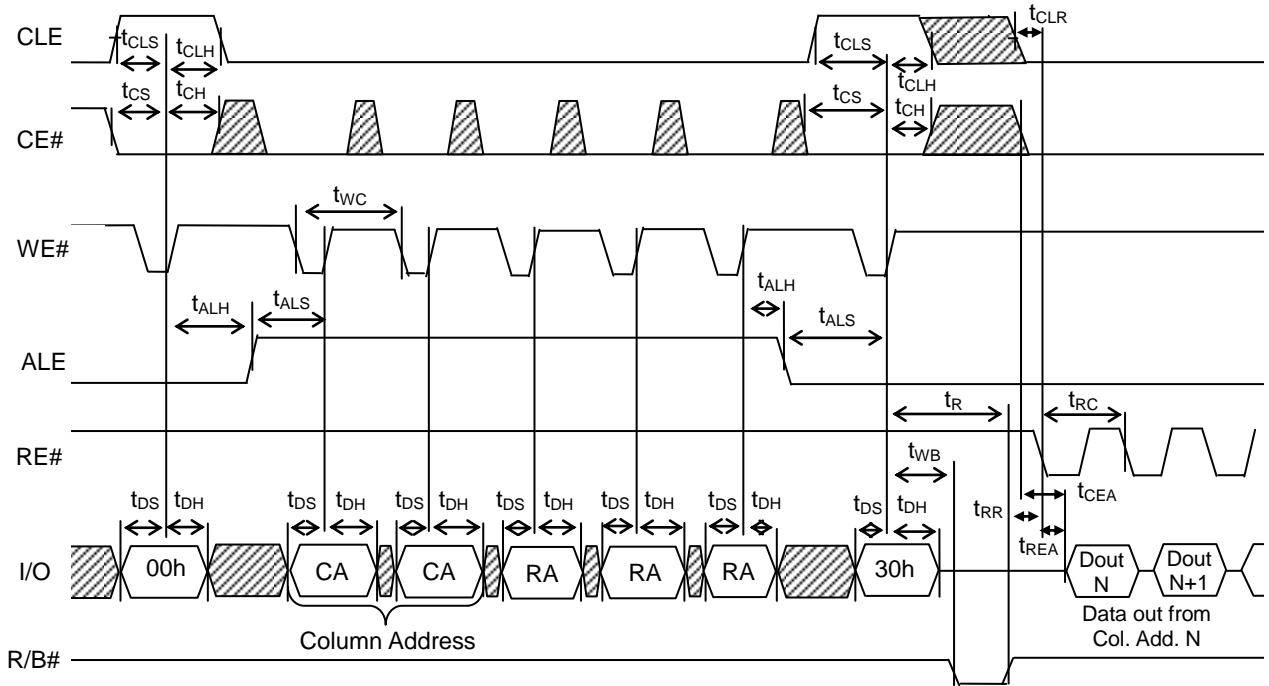
Read ID Operation Timing

Status Read Cycle



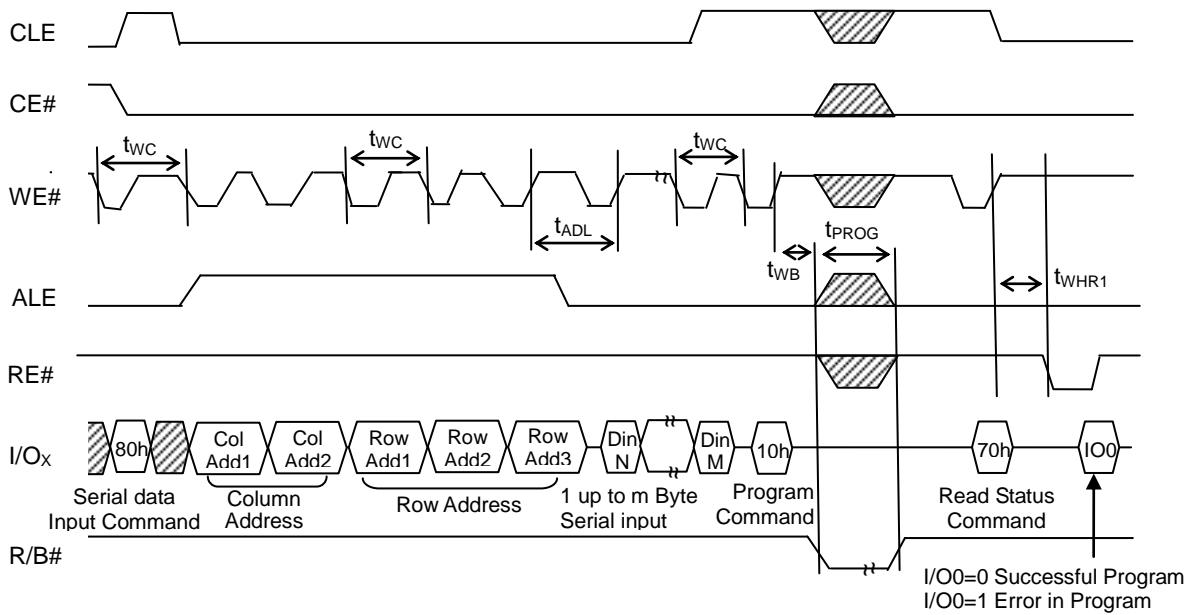
Status Read Cycle Timing

Page Read Operation



Page Read Operation Timing

Page Program Operation



Page Program Operation

## Command Description and Device Operation

## Command Sets

Function	1 <sup>st</sup> Cycle	2 <sup>nd</sup> Cycle	Acceptable Command during Busy
Read	00h	30h	
Read for Copy-Back	00h	35h	
Read ID	90h	-	
Reset	FFh	-	O
Page Program	80h	10h	
Copy-Back Program	85h	10h	
Block Erase	60h	D0h	
Random Data Input <sup>(1)</sup>	85h	-	
Random Data Output <sup>(1)</sup>	05h	E0h	
Read Status	70h	-	O
Cache Program	80h	15h	
Cache Read	31h	-	
Read Start for Last Page Cache Read	3Fh	-	
Read for Page Copy with Data Out	00h	3Ah	
Auto Program with Data Cache during Page Copy	8Ch	15h	
Auto Program for last page during Page Copy	8Ch	10h	
Read Parameter Page	ECh	-	
Read Unique ID	EDh	-	

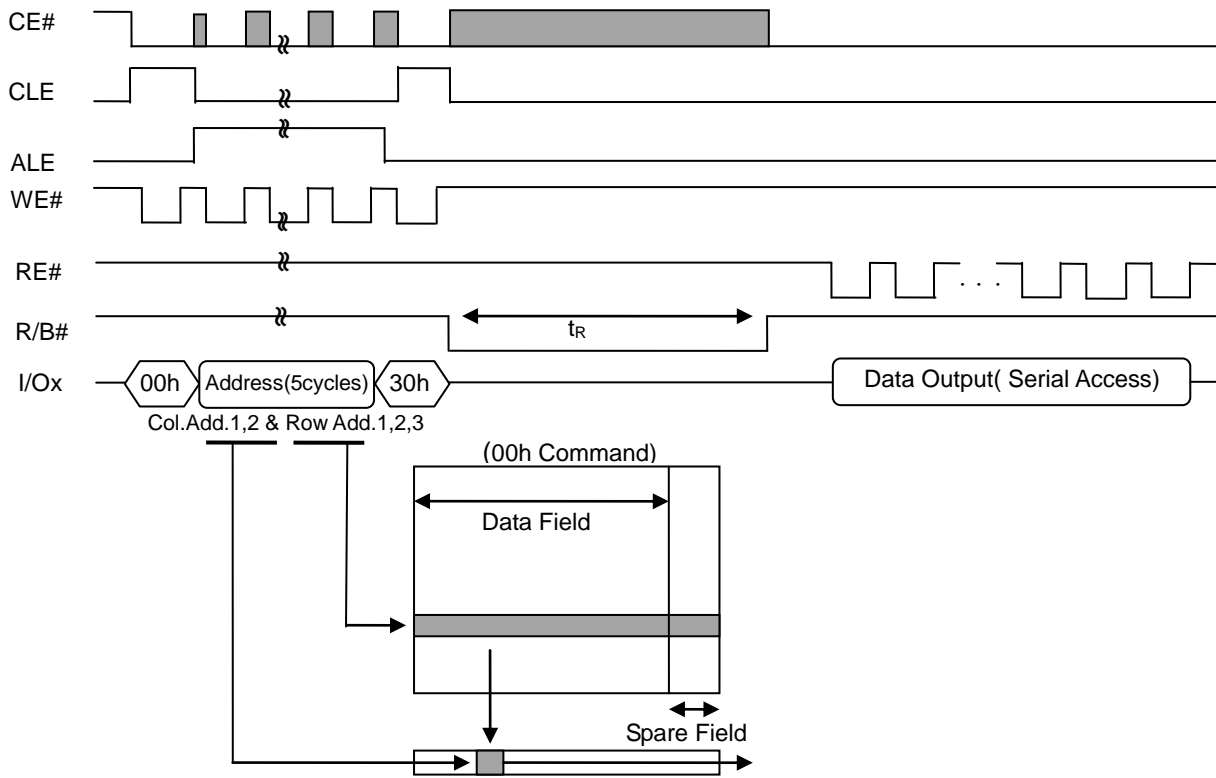
Note:

1. Random Data Input/Output can be executed in a page.

Operations

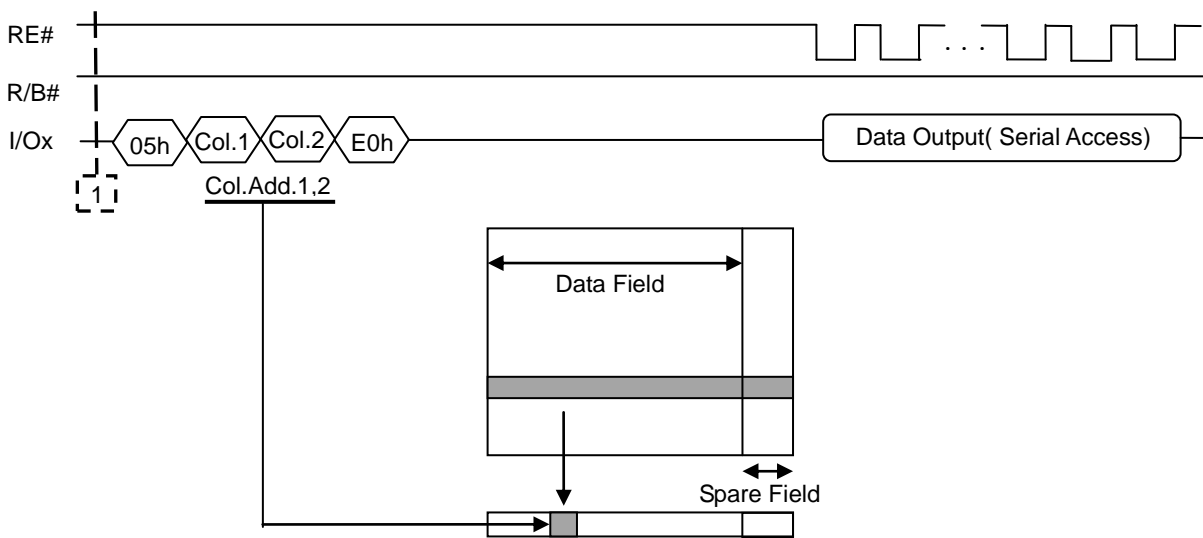
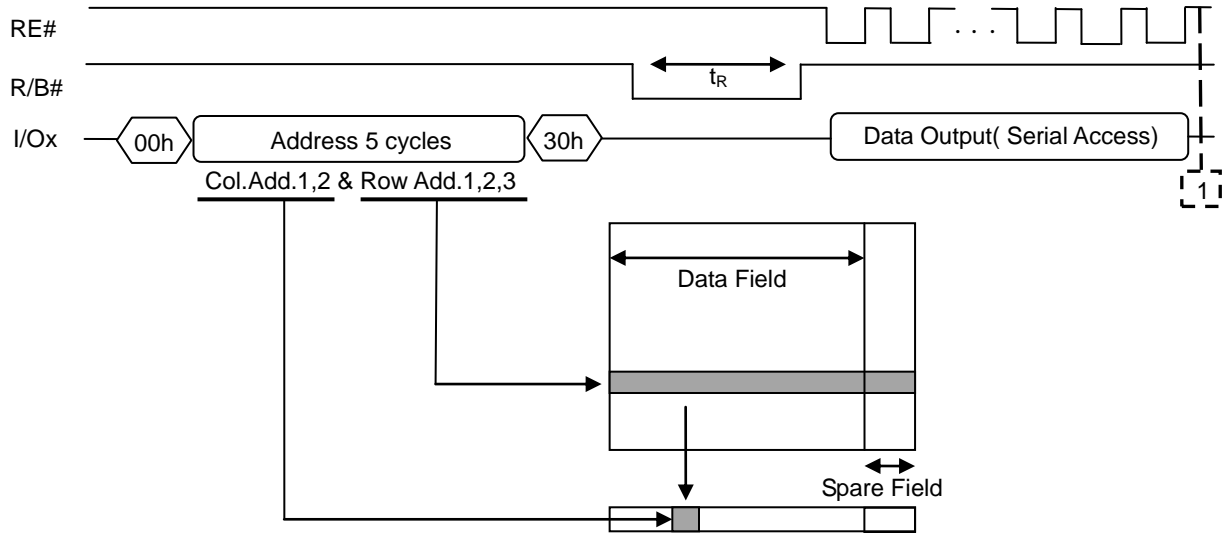
Page Read Operation

The Page Read function reads a page of data identified by row address for the selected LUN. The page of data is made available to be read from the page register starting at the specified column address. Figure below defines the Page Read behavior and timings. Reading beyond the end of a page results in indeterminate values being returned to the host.



Page Read Operation Timing

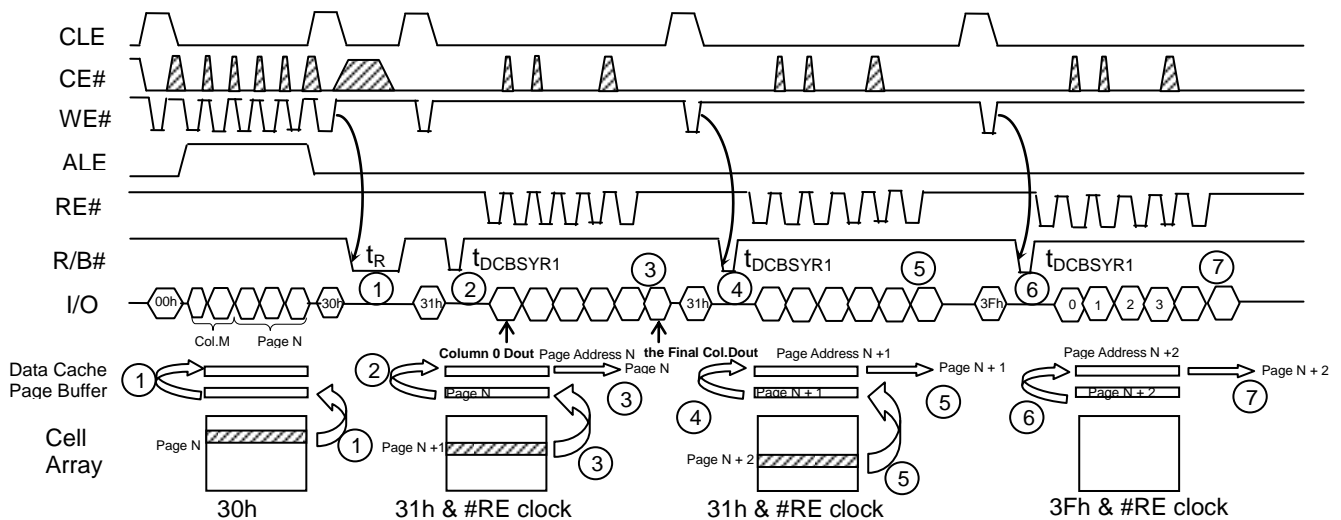
The Random Data Output function changes the column address from which data is being read in the page register for the selected LUN. The Random Data Output command shall only be issued when LUN is in a read idle condition. Figure below defines the Random Data Output behavior and timings. The host shall not read data from the LUN until  $t_{WHR2}$ (ns) after the second command (i.e. E0h) is written to the LUN.



Random Data Output in a Page Timing

## Cache Read Operation

Cache Read is an extension of Page Read, and is available only within a block. The normal Page Read command (00h-30h) is always issued before invoking Cache Read. After issuing the Cache Read command (31h), read data of the designated page (page N) are transferred from data registers to cache registers in a short time period of  $t_{DCBSYR1}$ , and then data of the next page (page N+1) is transferred to data registers while the data in the cache registers are being read out. Host controller can retrieve continuous data and achieve fast read performance by iterating Cache Read operation. The Read Start for Last Page Cache Read command (3Fh) is used to complete data transfer from memory cells to data registers.



Cache Read Operation Timing

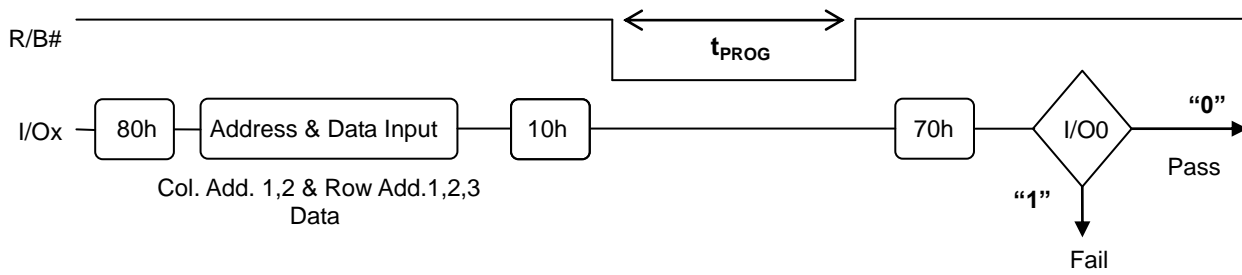
If the 31h command is issued to the device, the data content of the next page is transferred to the Page Buffer during serial data out from the Data Cache, and therefore the  $t_R$  (Data transfer from memory cell to data register) will be reduced.

1. Normal read. Data is transferred from Page N to Data cache through Page Buffer. During this time period, the device outputs Busy state for  $t_R$  max.
2. After the Ready/Busy returns to Ready, 31h command is issued and data is transferred to Data Cache from Page Buffer again. This data transfer takes  $t_{DCBSYR1}$  max and the completion of this time period can be deleted by Ready/Busy signal.
3. Data of Page N + 1 is transferred to Page Buffer from cell while the data of Page N in Data Cache can be read out by /RE clock simultaneously.
4. The 31h command makes data of Page N + 1 transfer to Data Cache from Page Buffer after the completion of the transfer from cell to Page Buffer. The device outputs Busy state for  $t_{DCBSYR1}$  max.. This Busy period depends on the combination of the internal data transfer time from cell to Page Buffer and the serial data out time.
5. Data of Page N + 2 is transferred to Page Buffer from cell while the data of Page N + 1 in Data Cache can be read out by /RE clock simultaneously.
6. The 3Fh command makes the data of Page N + 2 transfer to the Data Cache from the Page Buffer after the completion of the transfer from cell to Page Buffer. The device outputs Busy state for  $t_{DCBSYR1}$  max.. This Busy period depends on the combination of the internal data transfer time from cell to Page Buffer and the serial data out time.
7. Data of Page N + 2 in Data Cache can be read out, but since the 3Fh command does not transfer the data from the memory cell to Page Buffer, the device can accept new command input immediately after the completion of serial data out.



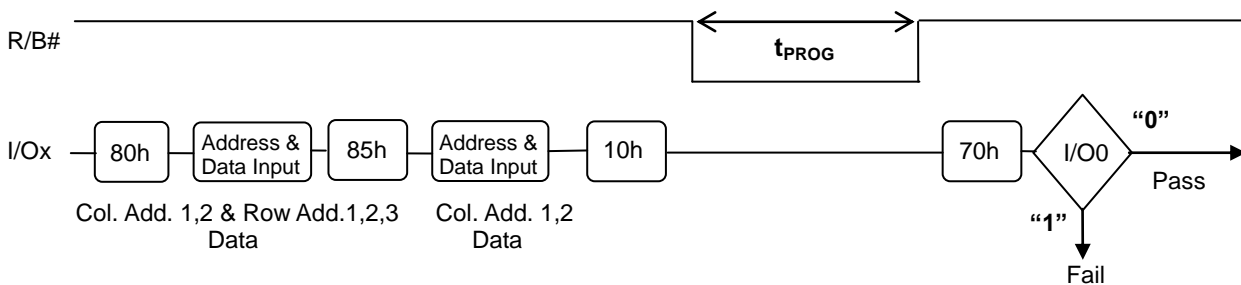
**Page Program Operation**

The device is programmed basically on a page basis, and each page shall be programmed only one before being erased. The addressing order shall be sequential within a block. The contents of the page register are programmed into the Flash array specified by row address. After  $t_{PROG}$  program time, the R/B# de-asserts to ready state. Read Status command (70h) can be issued right after 10h. Figure below defines the Page Program behavior and timings. Writing beyond the end of the page register is undefined.



**Program & Read Status Operation Timing**

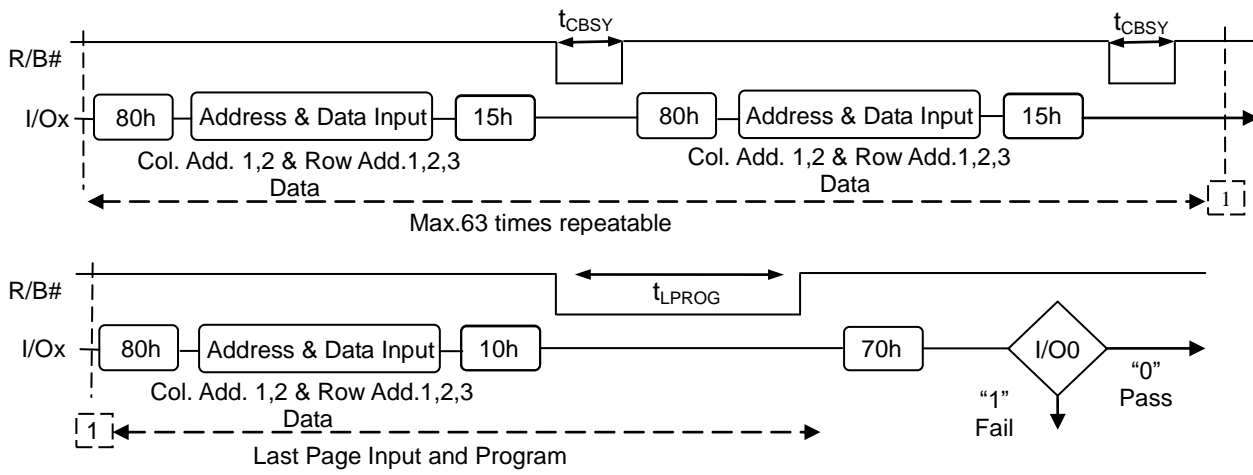
The device supports random data input in a page. The column address for the next data, which will be written, may be changed to the address using Random Data Input command (i.e. 85h). Random data input may be operated multiple times without limitation.



**Random Data Input in a Page Timing**

**Cache Program Operation**

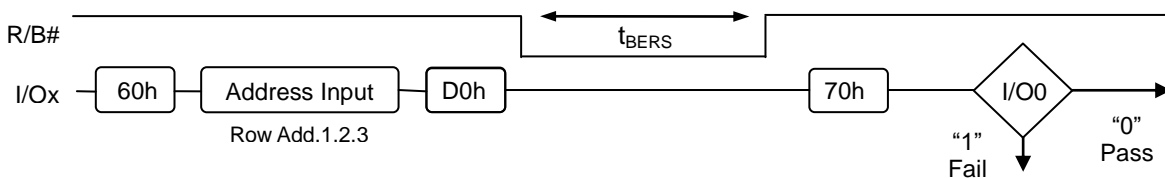
The Cache Program function allows the host to write the next data for another page to the page register while a page of data to be programmed to the Flash array for the selected LUN. When command 15h is issued, R/B# returns high (i.e. ready) when a cache register is ready to be written after data in the cache register is transferred to a page register. However, when command 10h is issued for the final page, R/B# turns to high after outstanding program operation performed by previous Cache Program command and the program operation for the final page is completed. SR[0] is valid for this command after SR[5] transitions from zero to one until the next transition. SR[1] is valid for this command after SR[6] transitions from zero to one, and it is invalid after the first Cache Program command completion since there is no previous Cache Program operation. Cache Program operation shall work only within a block. Figure below defines the Cache Program behavior and timings. Note that  $t_{LPROG}$  at the end of the caching operation may be longer than typical as this time also includes completing the programming operation for the previous page. Writing beyond the end of the page register is undefined.



Cache Program Operation Timing

**Block Erase Operation**

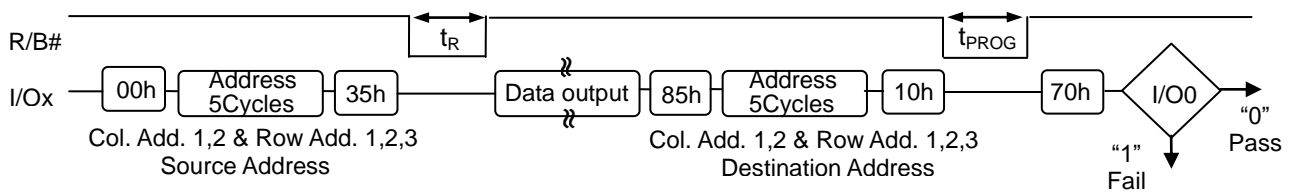
The Block Erase operation is done on a block basis. Only three cycles of row addresses are required for Block Erase operation and a page address within the cycles is ignored while block address are valid. After Block Erase operation passes, all bits in the block shall be set to one. SR[0] is valid for this command after SR[6] transitions from zero to one (i.e. the selected LUN is ready) until the LUN goes in busy state by a next command. Figure below defines the Block Erase behavior and timings.



Block Erase Operation Timing

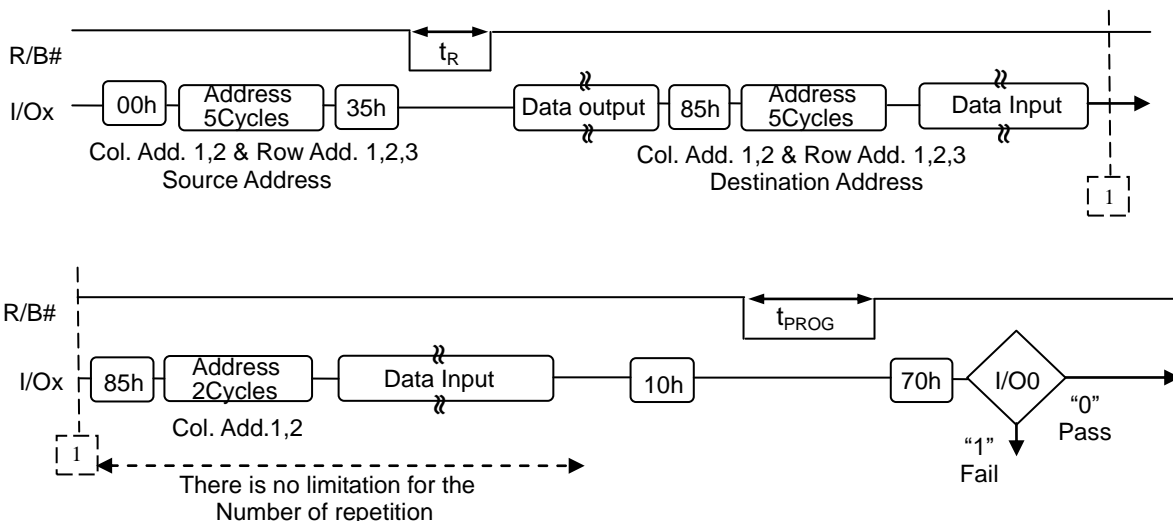
**Copy-Back Program Operation**

The Copy-Back Program with Read for Copy-Back is configured to efficiently rewrite data stored in a page without data re-loading when no error within the page is found. Since the time consuming re-loading cycles are removed, copy-back operation helps the system performance improve. The benefit is especially obvious when a part of a block is updated and the rest of the block also needs to be copied to the newly assigned free block. A read operation with "35h" command and the address of the source page moves the whole 4,352-byte data into the internal data buffer. A bit error is checked by sequential reading the data output. In the case where there is no bit error, the data do not need to be reloaded. Therefore Copy-Back program operation is initiated by issuing Page-Copy Data-Input command (85h) with destination page address. Actual programming operation begins after Program Confirm command (10h) is issued. Once the program process starts, the Read Status Register command (70h) may be entered to read the status register. The system controller can detect the completion of a program cycle by monitoring the R/B output, or the Status bit(I/O 6) of the Status Register. When the Copy-Back Program is complete, the Write Status bit(I/O 0) may be checked. The Copy-Back operation consists of Read for Copy-Back and Copy-Back Program. A host reads a page of data from a source page using Read for Copy-Back and copies read data back to a destination page on the same LUN by Copy-Back Program command.



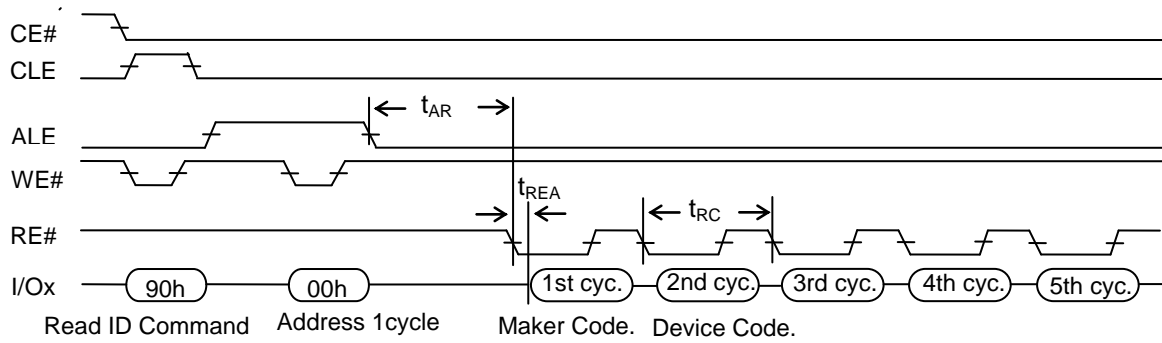
Page Copy-Back Program Operation Timing

After a host completes to read data from a page register, the host may modify data using Random Data Input command if required. Figure below defines Copy-Back Program with Random Data Input behavior and timings.



Page Copy-Back Program Operation with Random Data Input

Read ID



Read ID Timing

Read ID (00h Address ID Cycle)

Users can read five bytes of ID containing manufacturer code, device code and architecture information of the target by command 90h followed by 00h address. The command register remains in Read ID mode until another command is issued.

	Description	X8 device
1 <sup>st</sup> Byte	Maker Code	C8h
2 <sup>nd</sup> Byte	Device Code	ACh
3 <sup>rd</sup> Byte	Internal Chip Number, Cell Type, etc	80h
4 <sup>th</sup> Byte	Page Size, Block Size, etc	19h
5 <sup>th</sup> Byte	Plane Number, ECC Level	30h

3<sup>rd</sup> ID Data

Item	Description	DQ7	DQ6	DQ5	DQ4	DQ3	DQ2	DQ1	DQ0
Internal Chip Number	1							0	0
	2							0	1
	4							1	0
	8							1	1
Cell Type	2 Level Cell					0	0		
	4 Level Cell					0	1		
	8 Level Cell					1	0		
	16 Level Cell					1	1		
Number of Simultaneously Programmed Pages	1			0	0				
	2			0	1				
	4			1	0				
	8			1	1				
Interleave Program Between Multiple Chips	Not Support		0						
	Support		1						
Cache Program	Not Support	0							
	Support	1							

### 4<sup>th</sup> ID Data

Item	Description	DQ7	DQ6	DQ5	DQ4	DQ3	DQ2	DQ1	DQ0
Page Size (w/o redundant area)	2KB							0	0
	4KB							0	1
	8KB							1	0
	Reserved							1	1
Block Size (w/o redundant area)	128KB	0		0	0				
	256KB	0		0	1				
	512KB	0		1	0				
	1MB	0		1	1				
	Reserved	1		0	0				
	Reserved	1		0	1				
	Reserved	1		1	0				
Redundant Area Size (Byte / Page Size)	Reserved		0			0	0		
	128B		0			0	1		
	256B		0			1	0		
	400B		0			1	1		
	436B		1			0	0		
	512B		1			0	1		
	640B		1			1	0		
	1KB		1			1	1		

### 5<sup>th</sup> ID Data

Item	Description	DQ7	DQ6	DQ5	DQ4	DQ3	DQ2	DQ1	DQ0
Plane Number	1					0	0	0	
	2					0	1	0	
	4					1	0	0	
	8					1	1	0	
	16					1	1	1	
ECC Level	1bit		0	0	0				
	2bit		0	0	1				
	4bit		0	1	0				
	8bit		0	1	1				
	12bit		1	0	0				
	24bit		1	0	1				
	40bit		1	1	0				
60bit		1	1	1					
Reserved	Reserved	0							0

**Read Status**

The Read Status function (command 70h) retrieves a status value for the last operation issued in the case of one-plane operations. Both 70h is followed without address setting. Specifically, Read Status return the combined status values of the independent status register bits according to Table below.

**Read Status Definition**

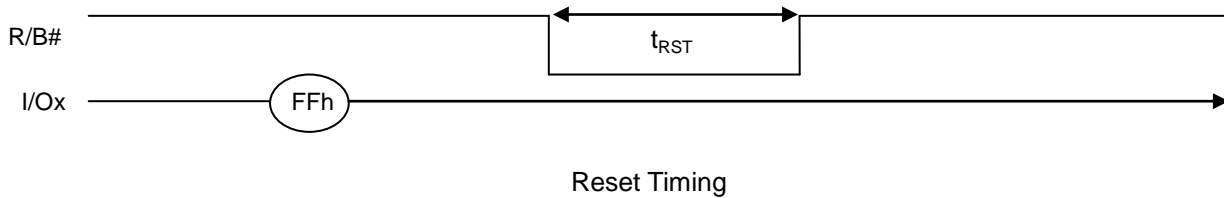
	I/O0	I/O1	I/O2	I/O3	I/O4	I/O5	I/O6	I/O7
Definition	Pass: 0 Fail: 1	Pass: 0 Fail: 1	Reserved	Reserved	Reserved	Busy: 0 Ready: 1	Busy: 0 Ready: 1	Protected: 0 Not Protected: 1
Read	NA	NA	NA	NA	NA	NA	Busy/Ready	Write Protect
Cache Read	NA	NA	NA	NA	NA	Flash array Busy/Ready	Host Busy/Ready	Write Protect
Page Program	Pass/Fail	NA	NA	NA	NA	NA	Busy/Ready	Write Protect
Cache Program	Pass/Fail	(N-1) Pass/Fail	NA	NA	NA	Flash array Busy/Ready	Host Busy/Ready	Write Protect
Block Erase	Pass/Fail	NA	NA	NA	NA	NA	Busy/Ready	Write Protect

**Note:**

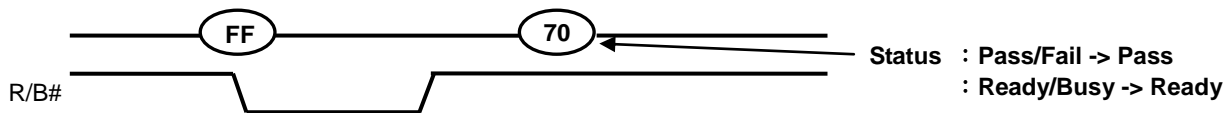
1. During Block Erase, Page Program or Copy-Back operation, I/O0 is only valid when I/O6 shows the Ready state.
2. During Cache Program operation, I/O0 is only valid when I/O5 shows the Ready state, and I/O1 is only valid when I/O6 shows the Ready state.

## Reset

The device offers a reset function by command FFh. When the device is in 'Busy' state during any operation, the Reset operation will abort these operations except during power-on when Reset shall not be issued until R/B# is set to one (i.e. ready). The contents of memory cells being programmed are no longer valid, as the data will be partially programmed or erased. Although the device is already in process of reset operation, a new Reset command will be accepted.

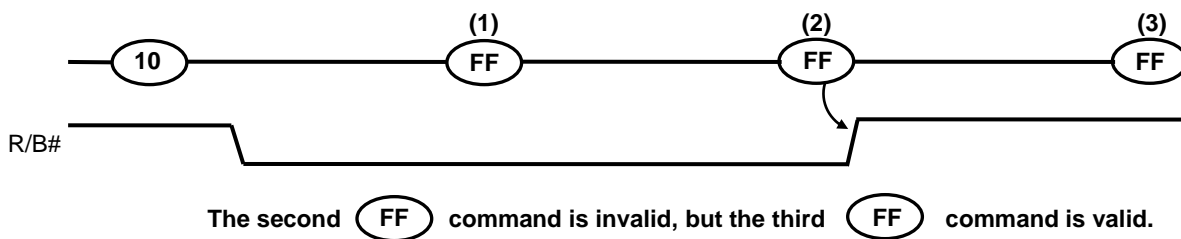


## When Status Read command (70h) is input after Reset Operation



Status Read after Reset operation

## When two or more Reset commands are input in succession



Successive Reset operation

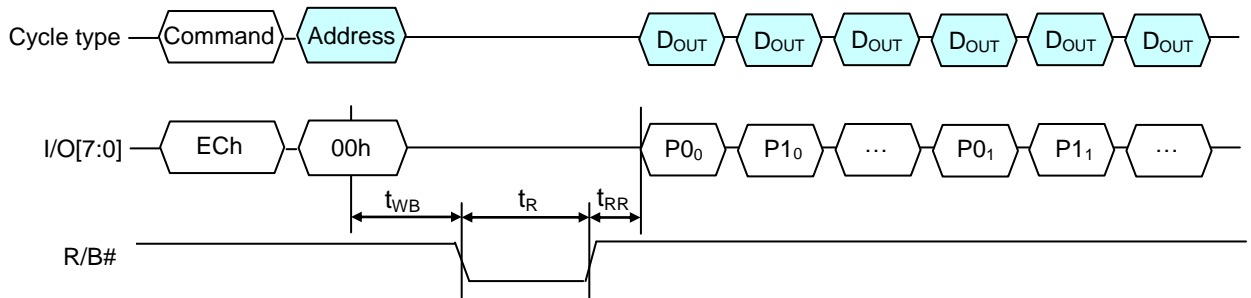


## Read Parameter Page Operation

Read Parameter Page (ECh) command is used to read the ONFI parameter page programmed into the target. This command is accepted by the target only when the die(s) on the target is idle. Writing ECh to the command register puts the target in read parameter page mode. The target stays in this mode until another valid command is issued.

When ECh command is followed by one 00h address cycle, the target goes busy for  $t_R$ . If the Read Status (70h) command is used to monitor for command completion, the Read mode (00h) command must be used to re-enable data output mode.

A minimum of three copies of the parameter page are stored in the device. Each parameter page is 256 bytes. Random Data Output (05h-E0h) can be used to change the location of data output. Each copy has the CRC value stored at the last two bytes. The software can read the first copy of ONFI parameter page, calculate the CRC and compare it with the stored value. If mis-match found then the 2nd copy should be read and so forth.



Read Parameter Page Operation

## Parameter Page Data Structure

Byte	Description	Value
0-3	Parameter page signature ("O", "N", "F", "I")	4Fh, 4Eh, 46h, 49h
4-5	Revision number	02h, 00h
6-7	Features supported	10h, 00h
8-9	Optional commands supported	33h, 00h
10-31	Reserved	All 00h
32-43	Device manufacturer	50h, 4Fh, 57h, 45h, 52h, 43h, 48h, 49h, 50h, 20h, 20h, 20h
44-63	Device model	50h, 53h, 52h, 34h, 47h, 41h, 33h, 30h, 43h, 54h, 20h, 20h, 20h, 20h, 20h, 20h, 20h, 20h, 20h
64	Manufacturer ID	C8h
65-66	Date code	00h, 00h
67-79	Reserved	All 00h
80-83	Number of data bytes per page	00h, 10h, 00h, 00h
84-85	Number of spare bytes per page	00h, 01h
86-89	Number of data bytes per partial page	00h, 04h, 00h, 00h
90-91	Number of spare bytes per partial page	40h, 00h
92-95	Number of pages per block	40h, 00h, 00h, 00h
96-99	Number of blocks per unit	00h, 08h, 00h, 00h
100	Number of logical units	01h
101	Number of address cycles	23h
102	Number of bits per cell	01h
103-104	Number of maximum bad blocks per unit	28h, 00h
105-106	Block endurance	06h, 04h
107	Guaranteed valid blocks at beginning of target	01h
108-109	Block endurance of guaranteed valid blocks	00h, 00h
110	Number of partial programs per page	04h
111	Partial programming attributes	00h
112	Number of bits ECC	08h
113	Number of Interleaved address bits	01h
114	Interleaved operation attributes	0Ch
115-127	Reserved	All 00h
128	I/O pin capacitance	0Ah
129-130	Timing mode support (Reserved)	1Fh, 00h
131-132	Program cache timing mode support (Reserved)	1Fh, 00h
133-134	t <sub>PROG</sub> (max)	BCh, 02h
135-136	t <sub>BERS</sub> (max)	10h, 27h
137-138	t <sub>R</sub> (max)	19h, 00h

## Parameter Page Data Structure- continued

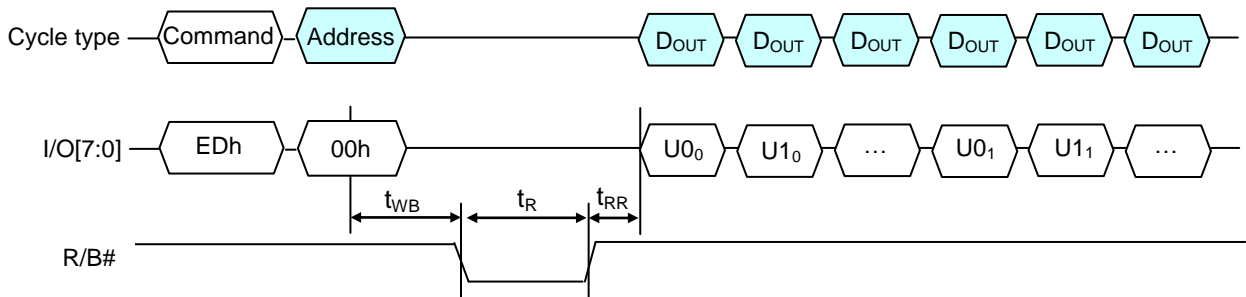
Byte	Description	Value
139-140	t <sub>CCS</sub> (min)	46h, 00h
141-163	Reserved	All 00h
164-165	Vendor-specific revision number	00h, 00h
166	Two-Plane Page Read support Bit[7:1]: Reserved (0) Bit 0: 0= Doesn't support Two Plane Page Read	00h
167	Read cache support Bit[7:1]: Reserved (0) Bit 0: 0= Doesn't support ONFI-specific read cache	01h
168	Read Unique ID support Bit[7:1]: Reserved (0) Bit 0: 0= Doesn't support ONFI-specific Read Unique ID	01h
169	Programmable output impedance support Bit[7:1]: Reserved (0) Bit 0: 0= Doesn't support programmable output impedance support	00h
170	Number of programmable output impedance support settings Bit[7:3]: Reserved (0) Bit[2:0]: Number of programmable IO output impedance settings	00h
171	Reserved	00h
172	Programmable R/B# pull-down strength support Bit[7:1]: Reserved (0) Bit 0: 0= Doesn't support programmable R/B# pull-down strength	00h
173	Reserved	00h
174	Number of programmable R/B# pull-down strength support Bit[7:3]: Reserved (0) Bit[2:0]: Number of programmable R/B# pull-down strength settings	00h
175	OTP mode support Bit[7:2]: Reserved (0) Bit 1: 0= Doesn't support Get/Set Feature command set Bit 0: 1= support OTP mode	01h
176	OTP page start Bit[7:0] = Page where OTP page space begins	00h
177	OTP Data Protect address Bit[7:0] = Page address to use when issuing OTP Data Protect command	00h
178	Number of OTP pages Bit[15:5]: Reserved (0) Bit[4:0] = Number of OTP pages	1Eh
179	OTP Feature Address	90h
180-253	Reserved	All 00h
254-255	Integrity CRC	Set at test
256-511	Values of bytes 0-255	Values of bytes 0-255
512-767	Values of bytes 0-255	Values of bytes 0-255
768+	Additional redundant parameter pages	

### Read Unique ID Operation

Read Unique ID (EDh) command is used to read a unique identifier programmed into the target. This command is accepted by the target only when the die(s) on the target is idle. Writing EDh to the command register puts the target in read unique ID mode. The target stays in this mode until another valid command is issued.

When EDh command is followed by one 00h address cycle, the target goes busy for  $t_R$ . If the Read Status (70h) command is used to monitor for command completion, the Read mode (00h) command must be used to re-enable data output mode. After  $t_R$  completes, the host enables data output mode to read the unique ID.

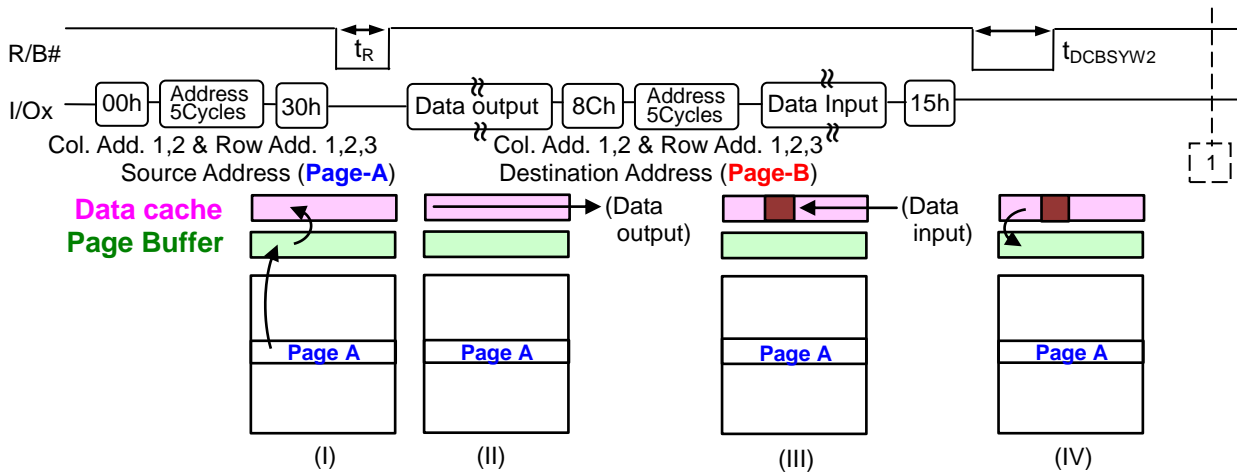
Sixteen copies of the unique ID data are store in the device. Each copy is 32 bytes. The first 16 bytes of a 32-byte copy are unique ID data, and the second 16 bytes are the complement of the first 16 bytes of FFh, then that copy of the unique ID data is correct. In the event that a non-FFh result is returned, the host can repeat the XOR operation on a subsequent copy of the unique ID data. Random Data Output (05h-E0h) can be used to change the location of data output.



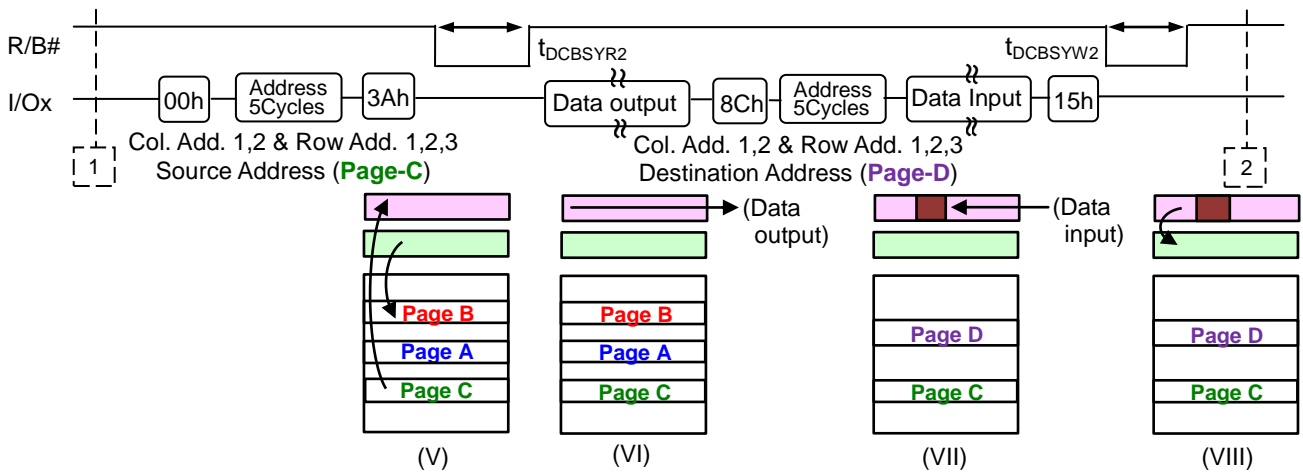
Read Unique ID Operation

## Page Copy

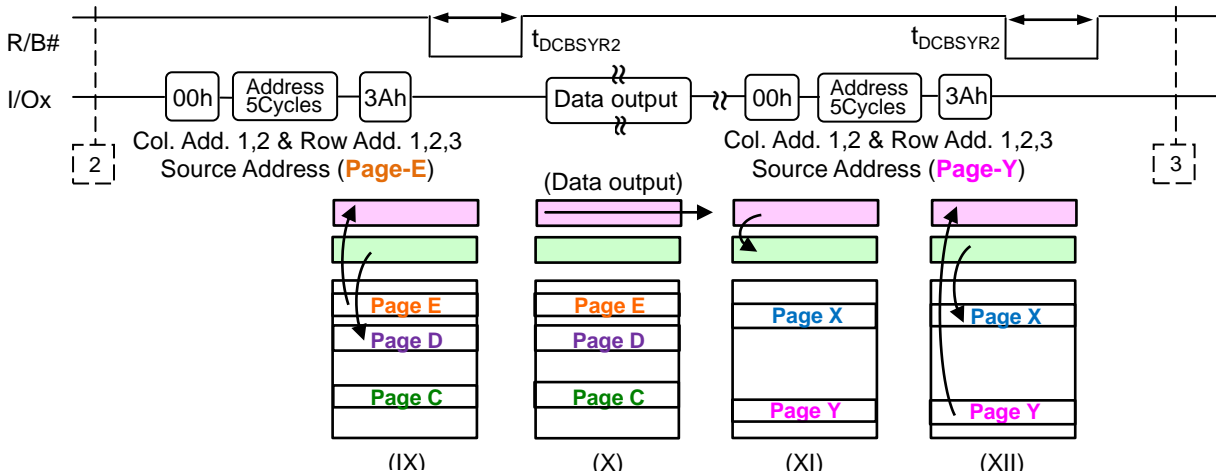
By using Page Copy, data in a page can be copied to another page after the data has been read out. When the block address changes (increments) this sequenced has to be started from the beginning.



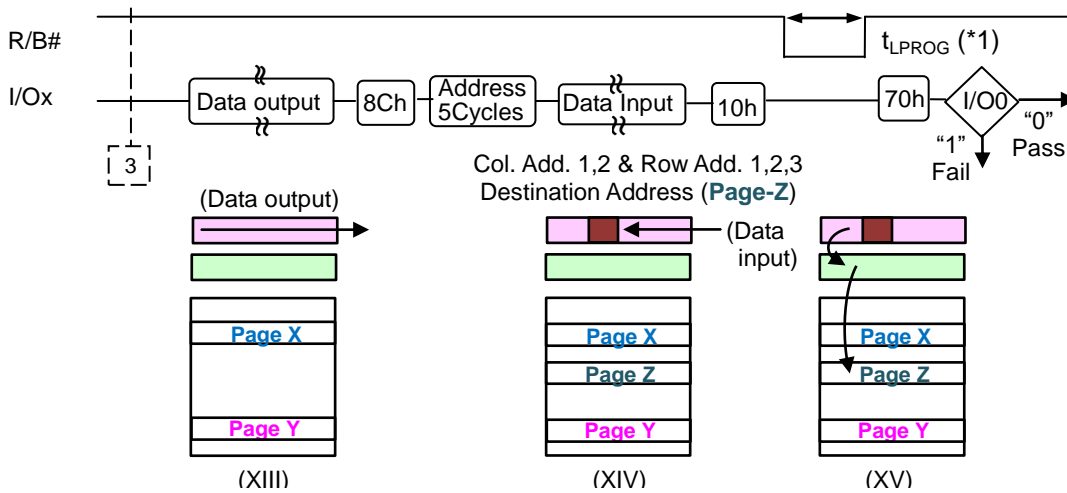
- I. Data for Page A is transferred to the Data Cache
- II. Data for Page A is read out
- III. Copy Page address B is input and if the data needs to be changed, changed data is input
- IV. Data Cache for Page B is transferred to the Page Buffer



- V. Data for Page C is transferred to Data Cache while the data of Page B is being programmed
- VI. After the Ready state, Data for Page C is output from the Data Cache
- VII. Copy Page address D is input and if the data needs to be changed, changed data is input
- VIII. After programming of page B is completed, Data Cache for Page D is transferred to the Page Buffer



- IX. By the 15h command, the data in the Page Buffer is programmed to Page D. Data for Page E is transferred to the Data cache
- X. Data for Page E is read out
- XI. Data Cache for Page X is transferred to the Page Buffer
- XII. The data in the Page Buffer is programmed to Page X. Data for Page Y is transferred to the Data Cache



- XIII. After the Ready state, Data for Page Y is output from the Data Cache
- XIV. Copy Page address Z is input and if the data needs to be changed, changed data is input
- XV. By issuing the 10h command, the data in the Page Buffer is programmed to Page Z

(\*1) Since the last page programming by the 10h command is initiated after the previous cache program, the tLPROG here will be expected as the following,  
 $t_{LPROG} = t_{PROG}$  of the last page +  $t_{PROG}$  of the previous page - (command input cycle + address input cycle + data output/input cycle time of the last page)

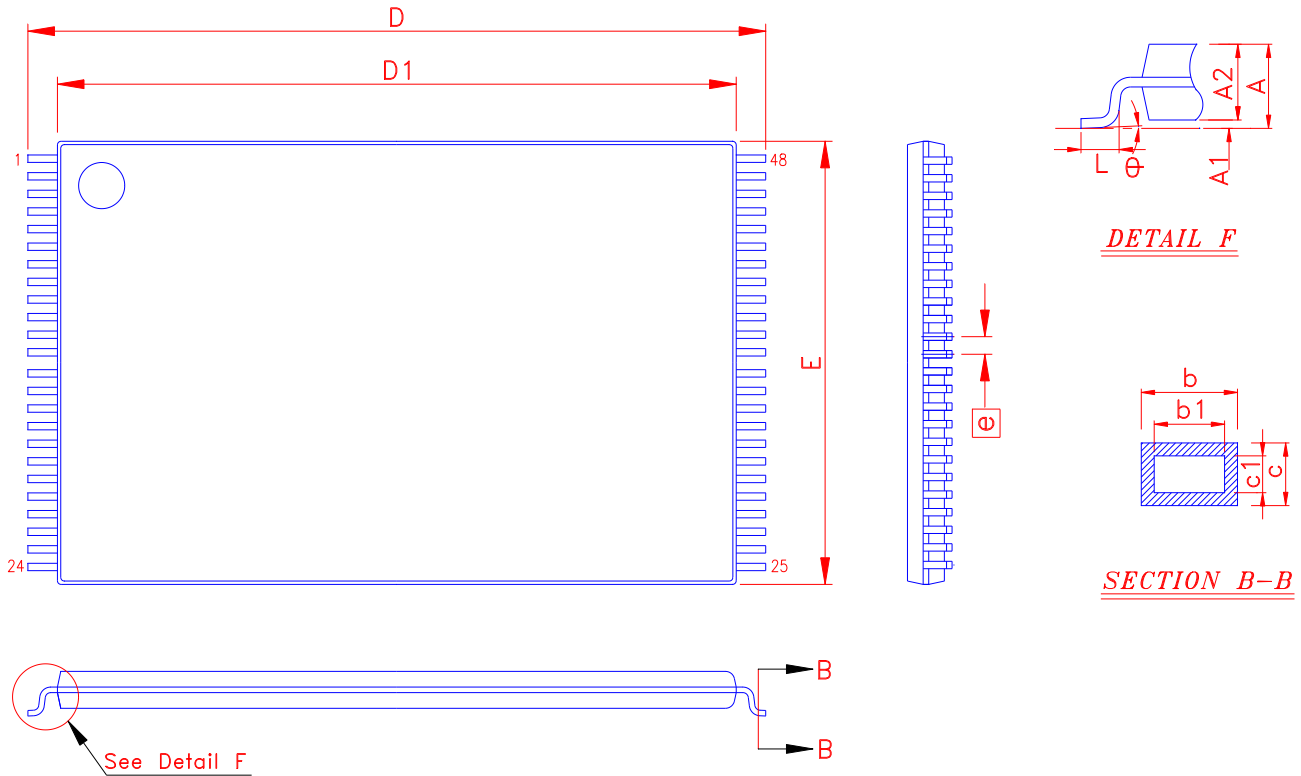
**NOTE)**

Data input is required only if previous data output needs to be altered.  
 If the data has to be changed, locate the desired address with the column and page address input after the 8Ch command, and change only the data that needs be changed.  
 If the data does not have to be changed, data input cycles are not required.

Make sure WP is held to High level when Page Copy operation is performed.  
 Also make sure the Page Copy operation is terminated with 8Ch-10h command sequence

## PACKING DIMENSION

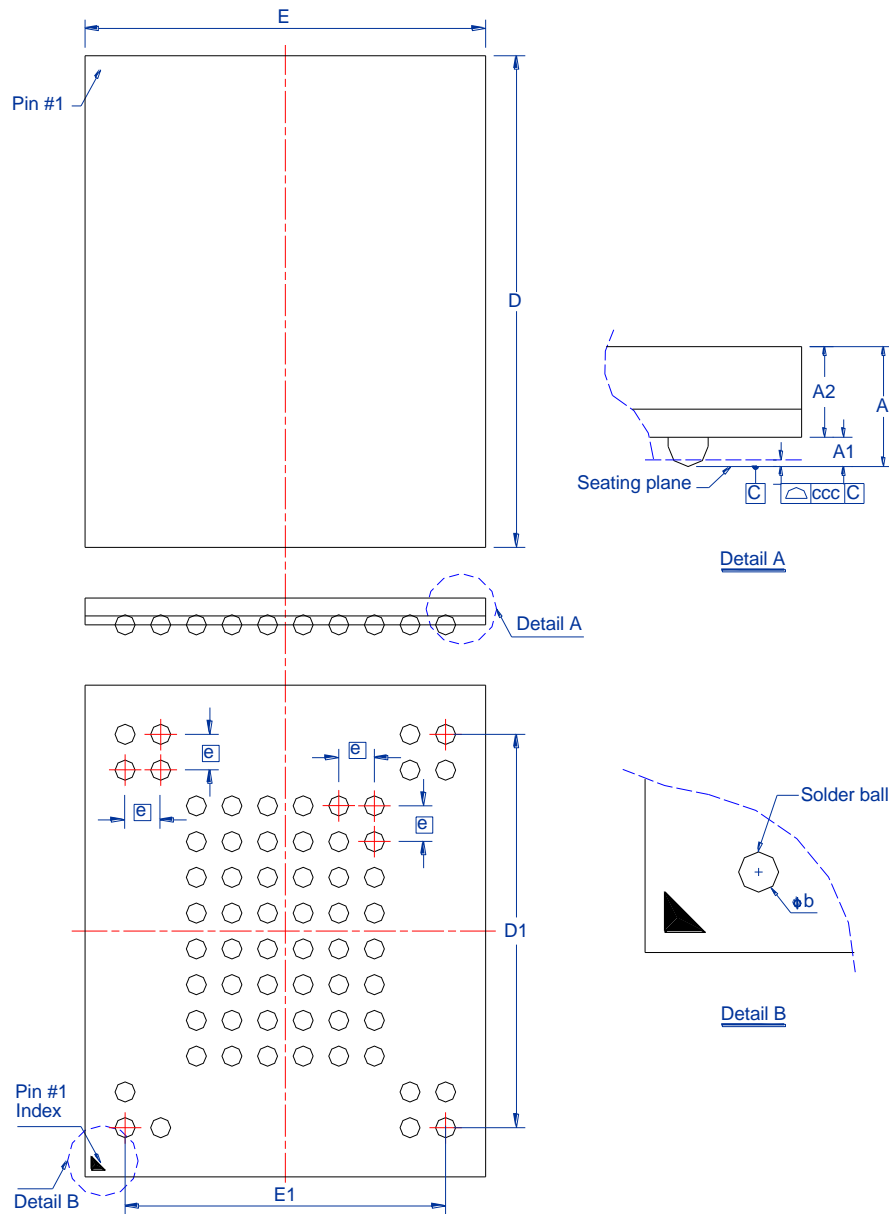
48-LEAD TSOP(I) ( 12x20 mm )



Symbol	Dimension in mm			Dimension in inch			Symbol	Dimension in mm			Dimension in inch		
	Min	Norm	Max	Min	Norm	Max		Min	Norm	Max	Min	Norm	Max
A	-----	-----	1.20	-----	-----	0.047	D	20.00	BSC		0.787	BSC	
A 1	0.05	-----	0.15	0.006	-----	0.002	D 1	18.40	BSC		0.724	BSC	
A 2	0.95	1.00	1.05	0.037	0.039	0.041	E	12.00	BSC		0.472	BSC	
b	0.17	0.22	0.27	0.007	0.009	0.011	e	0.50	BSC		0.020	BSC	
b1	0.17	0.20	0.23	0.007	0.008	0.009	L	0.50	0.60	0.70	0.020	0.024	0.028
c	0.10	-----	0.21	0.004	-----	0.008	θ	0°	-----	8°	0°	-----	8°
c1	0.10	-----	0.16	0.004	-----	0.006							

## PACKING DIMENSIONS

63-BALL NAND Flash ( 9x11 mm )



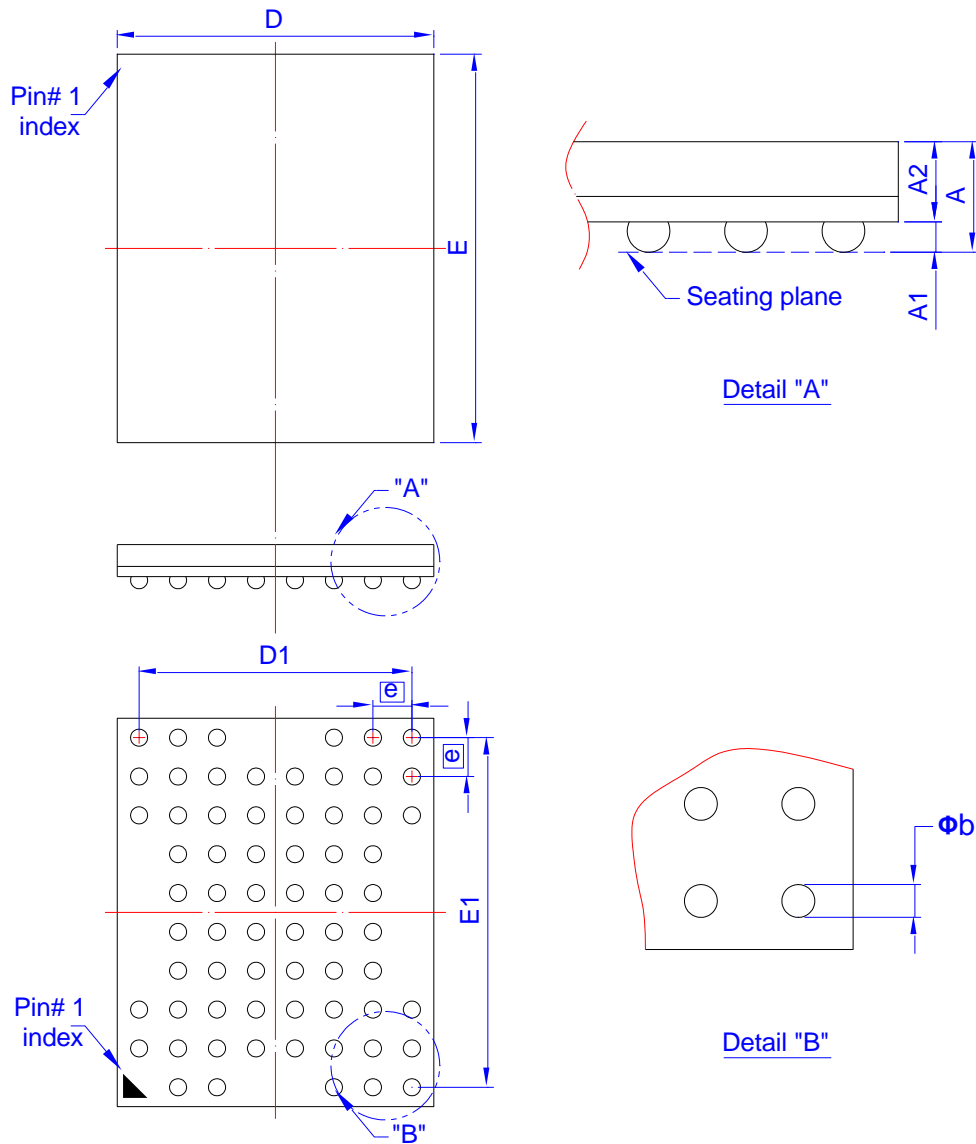
Symbol	Dimension in mm			Dimension in inch		
	Min	Norm	Max	Min	Norm	Max
A			1.00			0.039
A <sub>1</sub>	0.25		0.35	0.010		0.014
A <sub>2</sub>	0.60 BSC			0.024 BSC		
Φb	0.40		0.50	0.016		0.020
D	10.90	11.00	11.10	0.429	0.433	0.437
E	8.90	9.00	9.10	0.350	0.354	0.358
D <sub>1</sub>	8.80 BSC			0.346 BSC		
E <sub>1</sub>	7.20 BSC			0.283 BSC		
e	0.8 BSC			0.031 BSC		
ccc			0.10			0.004

Controlling dimension : Millimeter.



## PACKING DIMENSIONS

67-BALL Flash ( 6.5x8 mm )



Symbol	Dimension in mm			Dimension in inch		
	Min	Norm	Max	Min	Norm	Max
A			1.00			0.039
A <sub>1</sub>	0.22	0.27	0.32	0.009	0.011	0.013
A <sub>2</sub>	0.61	0.66	0.71	0.024	0.026	0.028
Φ <sub>b</sub>	0.30	0.35	0.40	0.012	0.014	0.016
D	6.40	6.50	6.60	0.252	0.256	0.260
E	7.90	8.00	8.10	0.311	0.315	0.319
D <sub>1</sub>	5.60 BSC			0.220 BSC		
E <sub>1</sub>	7.20 BSC			0.283 BSC		
e	0.80 BSC			0.031 BSC		

Controlling dimension : Millimeter.  
(Revision date : Jun 29 2014)

## Revision History

Revision	Date	Description
0.1	2020.01.07	Original
0.2	2020.02.11	Correct typo
0.3	2020.03.05	Correct 4th ID Data table
0.4	2020.04.14	Modify Function Description and Read ID table
1.0	2021.01.06	1. Delete Preliminary 2. Modify Operating Temperature Condition table 3. Add Ready/Busy description
1.1	2021.04.09	Modify Temperature marking

### Important Notice

All rights reserved.

No part of this document may be reproduced or duplicated in any form or by any means without the prior permission of ESMT.

The contents contained in this document are believed to be accurate at the time of publication. ESMT assumes no responsibility for any error in this document, and reserves the right to change the products or specification in this document without notice.

The information contained herein is presented only as a guide or examples for the application of our products. No responsibility is assumed by ESMT for any infringement of patents, copyrights, or other intellectual property rights of third parties which may result from its use. No license, either express, implied or otherwise, is granted under any patents, copyrights or other intellectual property rights of ESMT or others.

Any semiconductor devices may have inherently a certain rate of failure. To minimize risks associated with customer's application, adequate design and operating safeguards against injury, damage, or loss from such failure, should be provided by the customer when making application designs.

ESMT's products are not authorized for use in critical applications such as, but not limited to, life support devices or system, where failure or abnormal operation may directly affect human lives or cause physical injury or property damage. If products described here are to be used for such kinds of application, purchaser must do its own quality assurance testing appropriate to such applications.